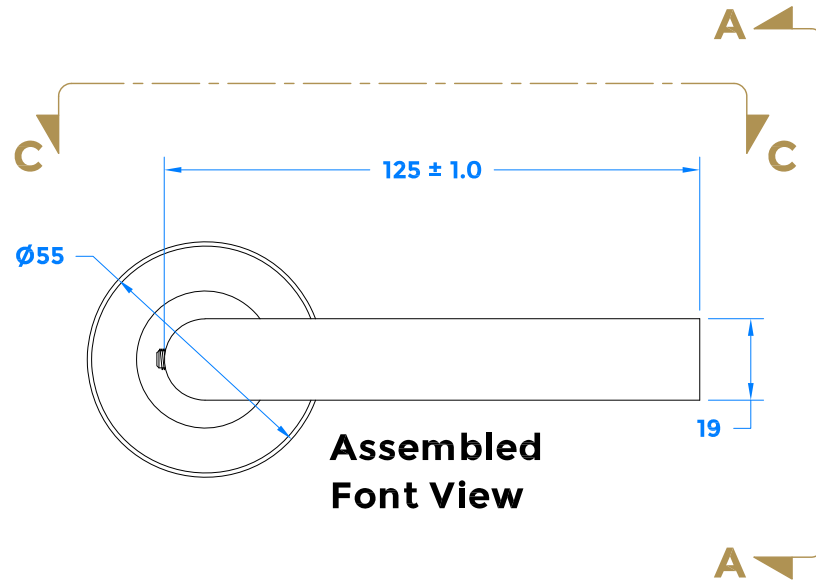
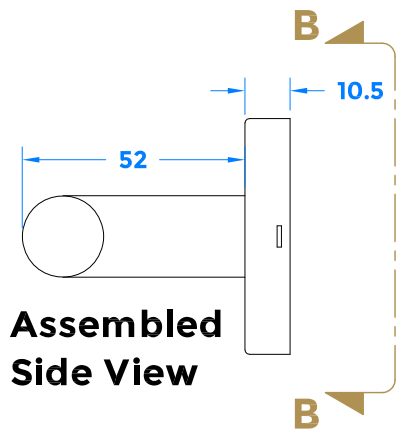


REVISION HISTORY		
Revision	Description	Date
A	Release	23/2/2022

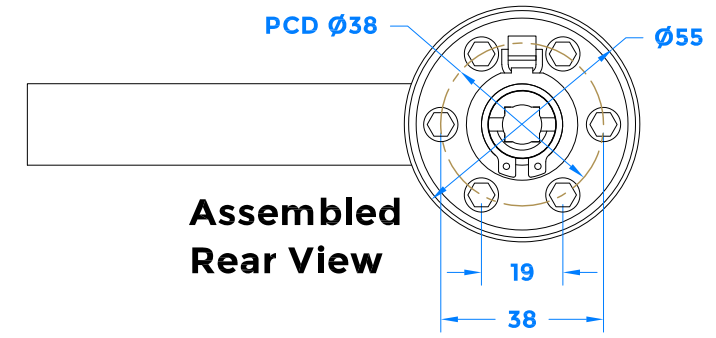


**Assembled Front View**



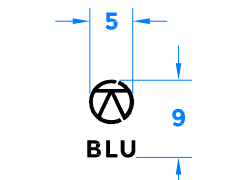
**Assembled Side View**

**Section A-A**

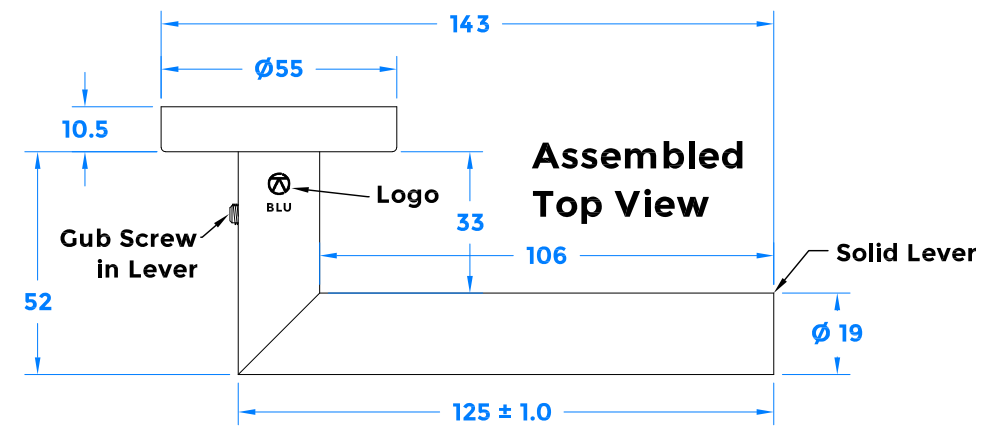


**Assembled Rear View**

**Section B-B**

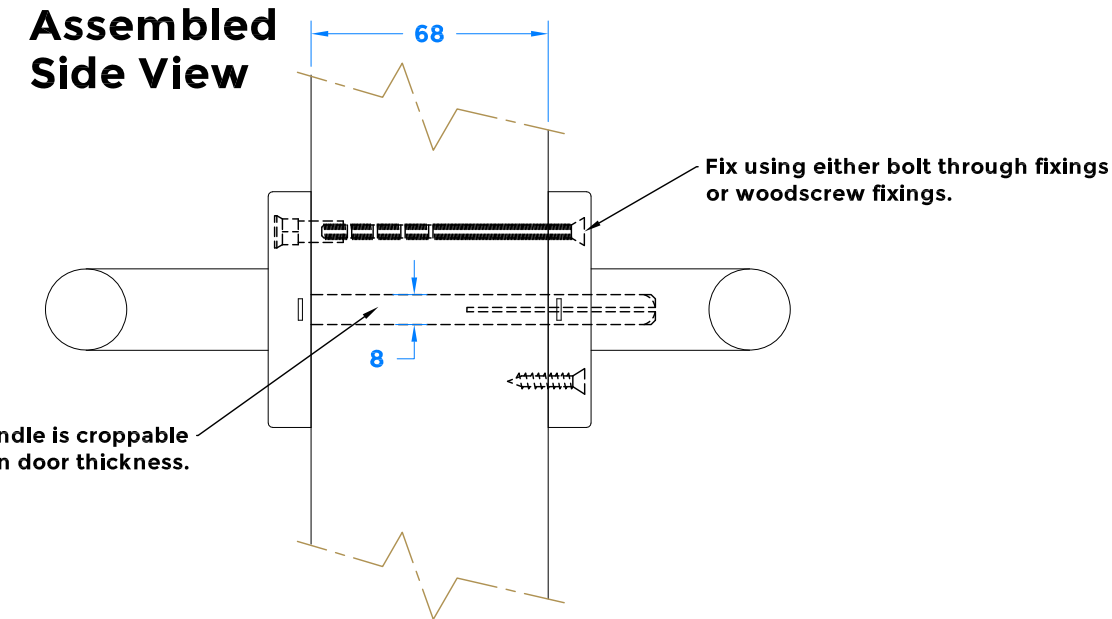


**Logo Detail**  
(Not to Scale)



**Assembled Top View**

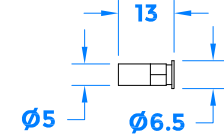
**Section C-C**

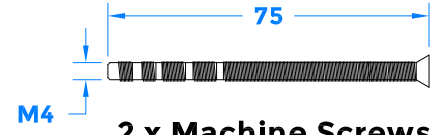


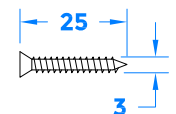
**Assembled Side View**


Spindle is croppable depending on door thickness.

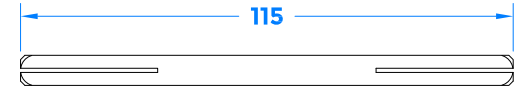
Fix using either bolt through fixings or woodscrew fixings.


- 

2 x Bolt Receiver Sleeve
- 

2 x Machine Screws
- 

12 x Wood Screws
- 

1 x 2mm Allen Key
- 

1 x 8 x 8 x 115mm Spindle
- 

1 x 8 x 8 x 125mm Spindle



coastal-group.com  
*Shaping the future*

**COASTAL**

Part Number /Drawing Title:  
**KM060C**  
**Mitre Lever on Rose Handle Set**

Product Range:  
**Door Handles**

Material: 316 Stainless Steel

Additional Info: Dual Sprung Lever

Date Drawn: 23/02/2022

Drawn By: Philip Walklett

Part Number: KM060C

File Name: KM060C.dwg

Revision: A

Drawing Scale: Not to Scale

Sheet Number: 1 of 1

THIRD ANGLE PROJECTION

This drawing and specification are the property of Coastal Specialist Ironmongery Ltd, they are issued in strict confidence and shall not be reproduced, copied or used without written permission.  
EGOE - All dimensions are specified in mm.