

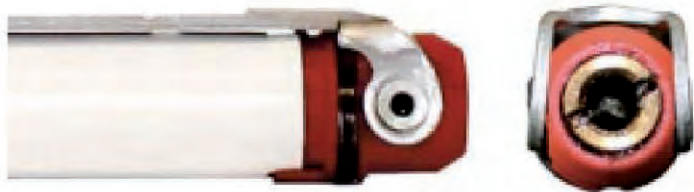
# Vertical Sliding Sash Spiral Balances

## Side Fixings & Screwdriver Adjustment as Standard



We've updated the spiral balance range to make installation simpler and quicker.

- ✓ **Screw Driver Adjustment** on Both 'D' & 'F' type balances.
- ✓ **Horn Channel Fixings** to both Top and Bottom Sashes for easier installation and better aesthetics.
- ✓ **Stainless steel springs** to ensure your balances last longer.
- ✓ **Made in the UK**

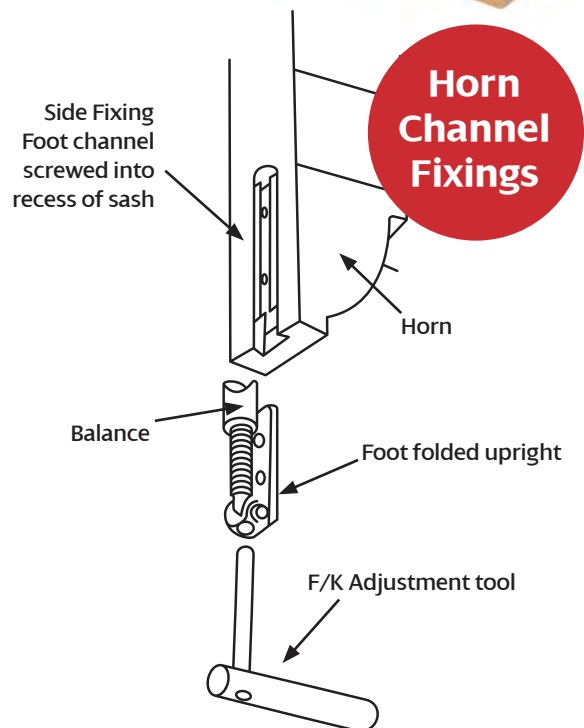


### 'D' type non-tensioned balances (screwdriver adjustment)

A range of light duty, economical balances for domestic and commercial applications. All 'D' type balances are adjustable within their weight range to suit actual glazed sash weights.

### 'F', 'K', & 'M' type pre-tensioned balances (screwdriver adjustment)

The screwdriver adjustment allows for fine adjustment on-site. The dual action of the torsion and tension springs work to give an assisted lift, thus making the operation easier even in heavier installations.



Innovating & upgrading the style, performance & longevity of external doors & windows globally

01726 871025 | [sales@coastal-group.com](mailto:sales@coastal-group.com) | [www.coastal-group.com](http://www.coastal-group.com)

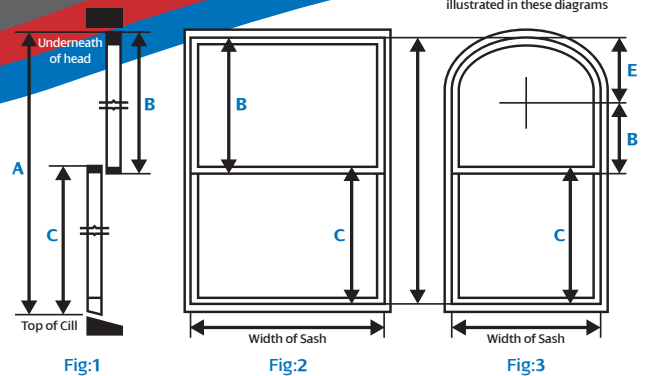
Global House | Bojea Industrial Estate | Trethowel | St Austell | Cornwall | PL25 5RJ



# Vertical Sliding Sash Spiral Balances

## Side Fixings & Screwdriver Adjustment as Standard

Dimensions required are illustrated in these diagrams



Company

Tel/Fax:

Email:

Address:

Order:

Order No.

Order Date:

Quote:

Customer Ref:

Req Date:

Window Ref:	<input type="text"/>	<input type="text"/>	<input type="text"/>	<input type="text"/>	<input type="text"/>	<input type="text"/>	<input type="text"/>	Normal
Window System <small>(eg. Normal VS. TILT, EASY TILT)</small>	<input type="text"/>	<input type="text"/>	<input type="text"/>	<input type="text"/>	<input type="text"/>	<input type="text"/>	<input type="text"/>	Normal
1 Window QTY	<input type="text"/>	<input type="text"/>	<input type="text"/>	<input type="text"/>	<input type="text"/>	<input type="text"/>	<input type="text"/>	1
2 Dimension 'A' <small>(Height of sash run - must be less than B+C)</small>	<input type="text"/>	<input type="text"/>	<input type="text"/>	<input type="text"/>	<input type="text"/>	<input type="text"/>	<input type="text"/>	1,000
3 Dimension 'B' <small>(Height of top sash - excluding horn)</small>	<input type="text"/>	<input type="text"/>	<input type="text"/>	<input type="text"/>	<input type="text"/>	<input type="text"/>	<input type="text"/>	520
Length of TOP SASH HORNS	<input type="text"/>	<input type="text"/>	<input type="text"/>	<input type="text"/>	<input type="text"/>	<input type="text"/>	<input type="text"/>	50
4 Dimension 'C' <small>(Height of bottom sash - excluding horn)</small>	<input type="text"/>	<input type="text"/>	<input type="text"/>	<input type="text"/>	<input type="text"/>	<input type="text"/>	<input type="text"/>	520
Length of BOTTOM SASH HORNS	<input type="text"/>	<input type="text"/>	<input type="text"/>	<input type="text"/>	<input type="text"/>	<input type="text"/>	<input type="text"/>	50
5 Dimension 'E' <small>(Height of arch only)</small>	<input type="text"/>	<input type="text"/>	<input type="text"/>	<input type="text"/>	<input type="text"/>	<input type="text"/>	<input type="text"/>	
6 Sash Width	<input type="text"/>	<input type="text"/>	<input type="text"/>	<input type="text"/>	<input type="text"/>	<input type="text"/>	<input type="text"/>	
7 Glazed Weights (KGS)	top	<input type="text"/>	<input type="text"/>	<input type="text"/>	<input type="text"/>	<input type="text"/>	<input type="text"/>	15
	bottom	<input type="text"/>	<input type="text"/>	<input type="text"/>	<input type="text"/>	<input type="text"/>	<input type="text"/>	15
8 Glazing Specification <small>(DG, 4mm Single etc.)</small>	<input type="text"/>	<input type="text"/>	<input type="text"/>	<input type="text"/>	<input type="text"/>	<input type="text"/>	<input type="text"/>	
9 Side fix both sashes (Y/N)	All spirals are now side fix to top and bottom sashes with screwdriver adjustment - See details overleaf							Y
10 Pretensioned only (Y/N) <small>(e.g. F&amp;K type only)</small>	<input type="text"/>	<input type="text"/>	<input type="text"/>	<input type="text"/>	<input type="text"/>	<input type="text"/>	<input type="text"/>	Y
Balance Tube Colour <small>(Please (X) to specify)</small>	White <input type="checkbox"/>	Grey <input type="checkbox"/>	Brown <input type="checkbox"/>	Black <input type="checkbox"/>	Cream <input type="checkbox"/>			

Easy Tilt (Please (X) to specify)

Jamb Channel

White  Brown

Guide Catches

Plastic  Brass

Tools

FKINSTOOL (F & K Fitting Tool)

FLEX-ADJ-TOOL (Flexi Adj Tool)

Innovating & upgrading the style, performance & longevity of external doors & windows globally

01726 871025 | sales@coastal-group.com | www.coastal-group.com

Global House | Bojea Industrial Estate | Trethowel | St Austell | Cornwall | PL25 5RJ

