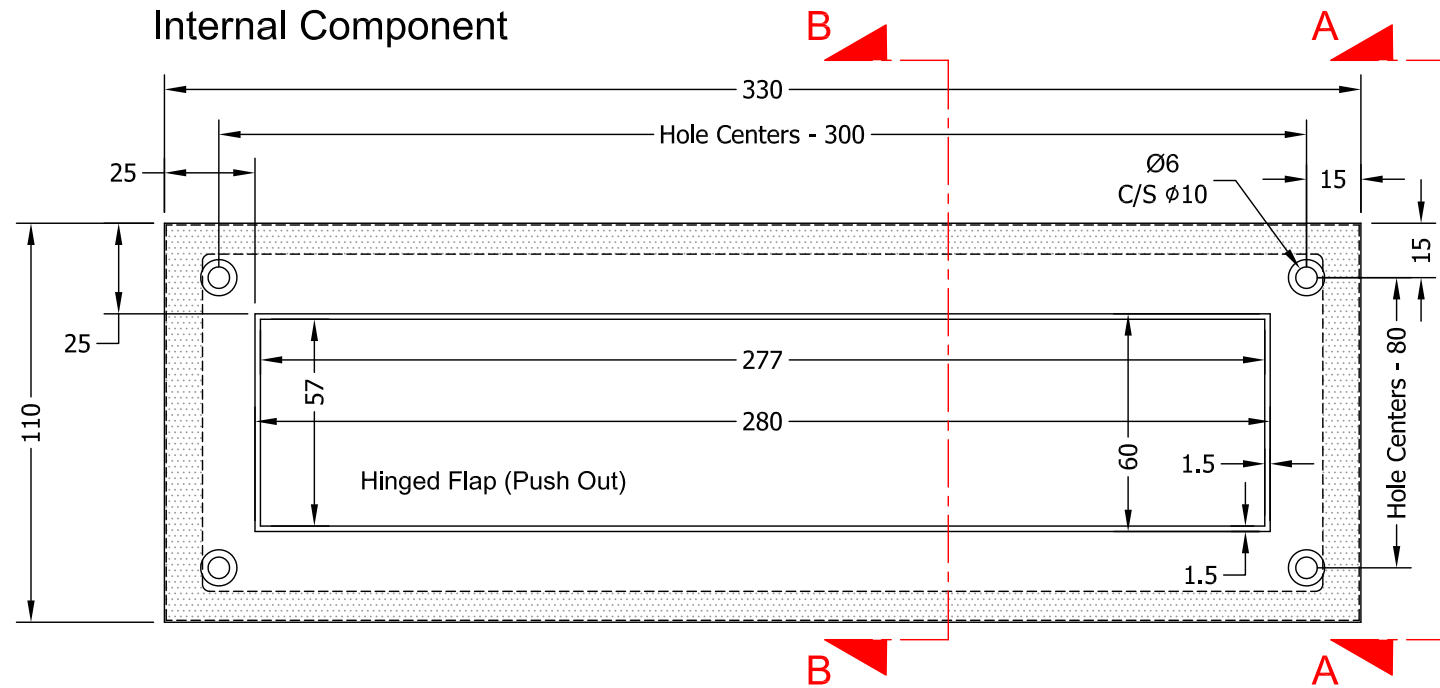


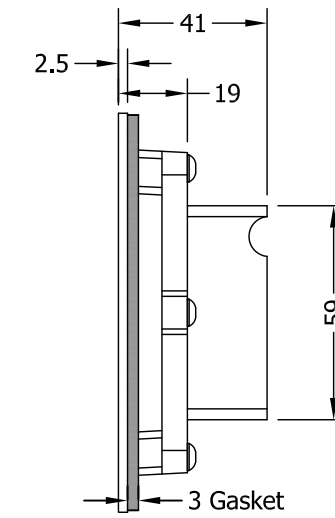
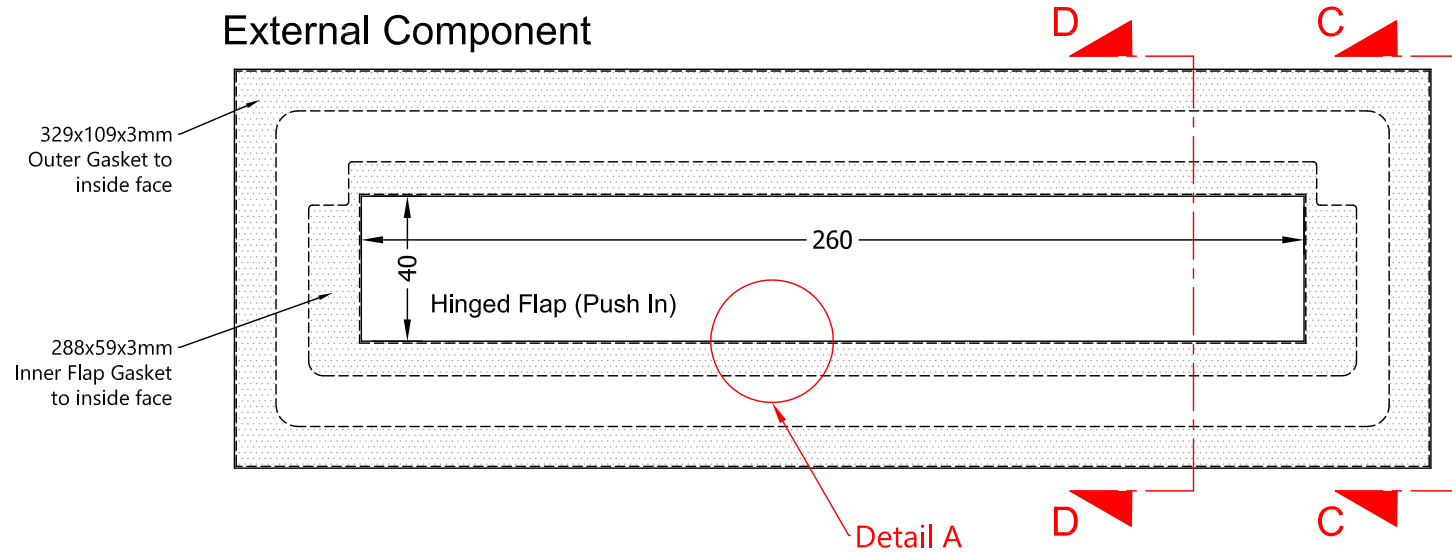
While every attempt has been made to ensure the accuracy and completeness of the information in this document some typographical or technical errors may exist. Blu Performance cannot accept responsibility for customers' losses resulting from the use of this document. Please also note that this drawing / design is subject to change without prior notice in accordance with policy of continual product development. This drawing / design contains proprietary information that is protected by copyright and is property of Blu Performance. Blu Performance is at the leading edge in joinery hardware, customer care and quality are at the core of everything we do, you can be confident that a call to Blu will be the only call you need for all your joinery hardware needs.

Revision History				
Revision	Description	DRFT	CHK	Date
A	Release	PW	BD	30/11/16
B	Updated to show where inner flap label goes	PW	BD	05/01/18
C	Added 3mm gaskets to the drawings	PW	BD	10/01/18
D	Spiggot lengths altered from 30mm to 25mm Gasket added to internal side of letter plate	PW	BD	8/2/2018
E	Removed M5x60mm Screws	PW	BD	28/6/18
F	Removed all fixing bolts from drawing	PW	BD	3/1/19

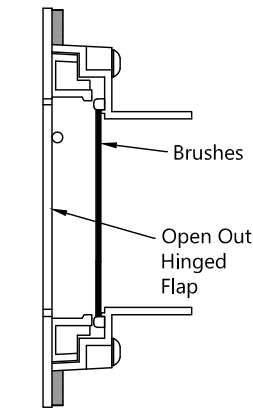
### Internal Component



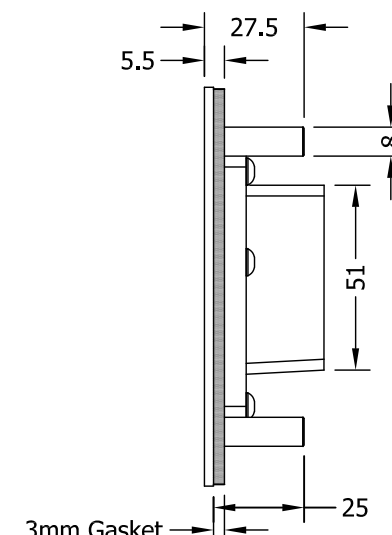
### External Component



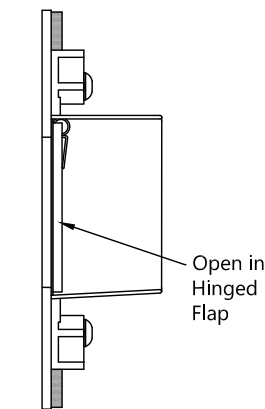
Section A-A



Section B-B



Section C-C



Section D-D

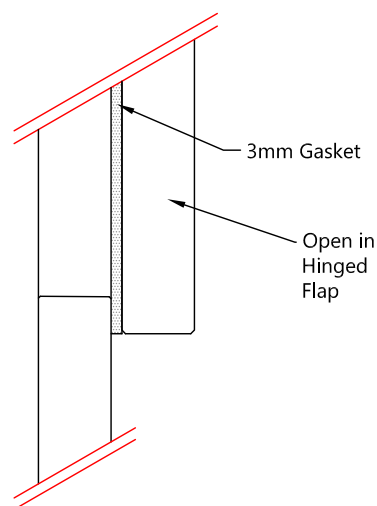


The LP400 letter plates are sold in kit form, depending on the thickness of your door, this ranges from between 44mm & 68mm, please check the website for more information.



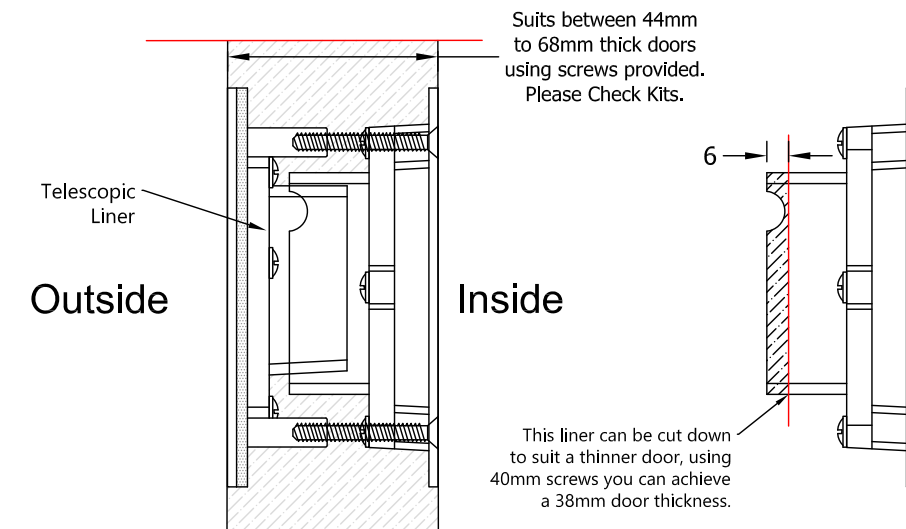
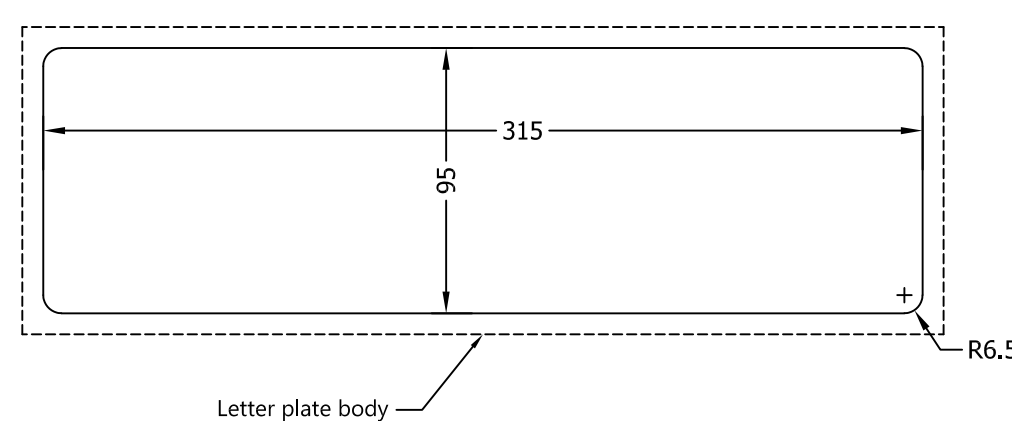
3mm Allen Key

WHAT'S INCLUDED IN THE BOX	
QTY	DESCRIPTION
1	Letter Plate (Inner & Outer Part)
1	3mm Allen Key



Detail A - Side View

### Aperture routing preparation - Not to Scale.



Assembled View (Back to Back Fix)

**blu** Performance  
 Global House  
 Bojea Industrial Estate  
 Trethowel, St Austell  
 Cornwall, PL25 5RJ  
 t | 01726 871025 f | 01726 871731  
 e | sales@blu-performance.com  
 w | www.blu-performance.com

Customer Reference:	
<b>blu™ Performance</b>	
Drawing Title: <b>Sleeve Letter Plate Back to Back Fixing</b>	
Product Range / Project Reference <b>LP400-316</b>	
Other Information:	
Date Drawn: 03/01/2019	
Drawn By: Phil Walklett	
Drawing Number: <b>BP-LP400-316.dwg</b>	Revision: <b>F</b>
THIRD ANGLE PROJECTION	This drawing and specification are the property of Coastal Group, they are issued in strict confidence and shall not be reproduced, copied or used without written permission.
Scale: NONE	Sheet: 1 of 1