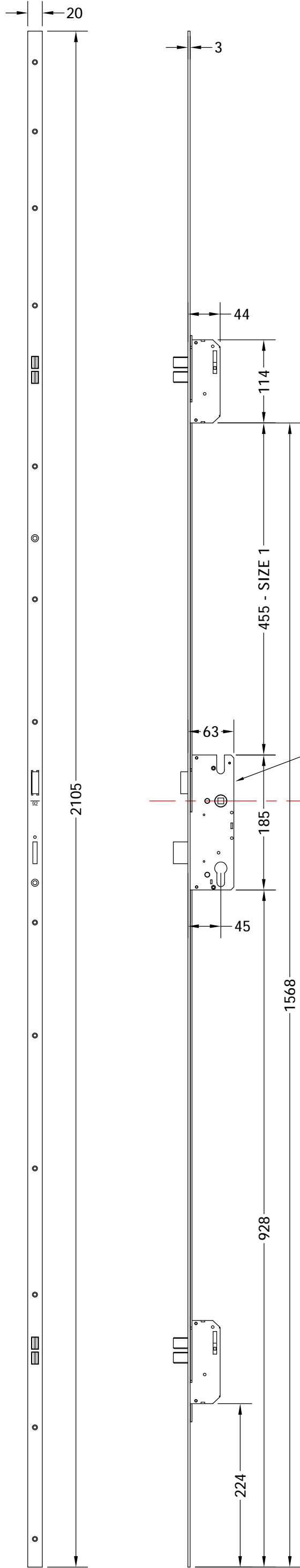
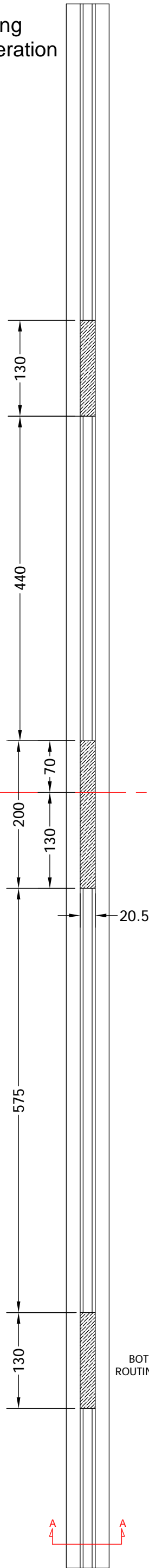


Revision History			
Revision	Description	Drawn By	Date
A	Released	PW	8/6/17



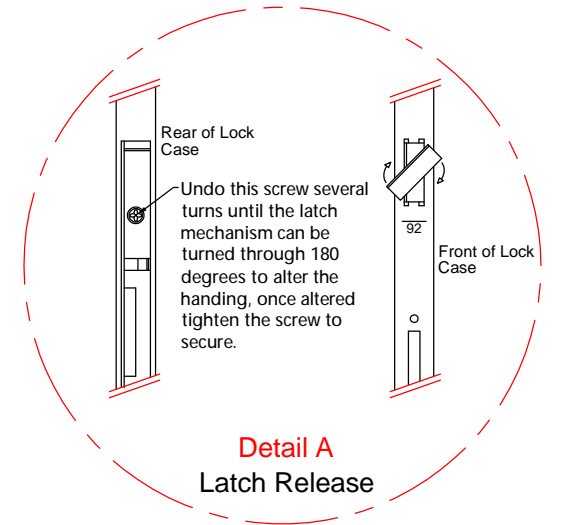
### Routing Preparation



12mm Depth

TOP HOOKBOLT ROUTING PREPERATION

48



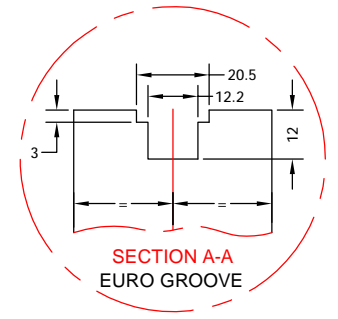
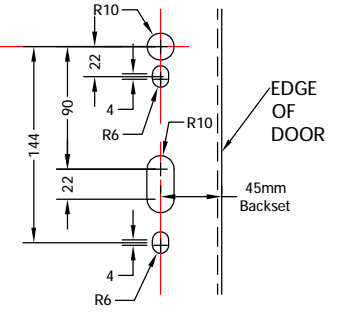
**Detail A**  
Latch Release

Latch Release Screw. Detail A

SPINDLE CENTRE

66

45mm LOCK BACKSET ROUTING PREPERATION



**SECTION A-A**  
EURO GROOVE

BOTTOM HOOKBOLT ROUTING PREPERATION

48

3mm Eurogroove Depth



Global House, Bojca Industrial Estate, Trethowel, St Austell, PL25 5RJ  
 telephone | 01726 871724 - fax | 01726 871731  
 email | sales@coastal-group.com - web | www.coastal-group.com

Drawing Reference:  
**Coastal Group**  
 Drawing Title:  
**ML60S - SIZE 1 - 45mm Backset  
 Twin Tapered Deadbolt**  
 Product Range:  
**Single Door Multipoint Door Lock**  
 Additional Info: 92mm Lock Centres, 20mm Faceplate  
 Universal Handing - Square Ends

Date Drawn: 12/06/2017  
 Drawn By: Phil Walklett  
 Part Number: ML60S-45-1-SV  
 File Name: CG-ML60S-45-1-SV.dwg  
 Revision: A  
 Drawing Scale: NONE  
 Sheet Number: 1 of 1

THIRD ANGLE PROJECTION

This drawing and specification are the property of Coastal Group, they are issued in strict confidence and shall not be reproduced, copied or used without written permission.