

## What we provide

### 1 - The Official Document

To apply for a Compliance Application Form please contact us on:

**01726 871025**

or email:

**PartQ@coastal-group.com**



### 2 - Glass stickers for completed doors

Available on request with valid certificate



### 3 - Validation logo

To host on your website and marketing material.



[www.coastal-group.com/PartQ](http://www.coastal-group.com/PartQ) · [PartQ@coastal-group.com](mailto:PartQ@coastal-group.com)

Coastal Group, Global House, Bojea Industrial Estate, Trethowel, St Austell, Cornwall, PL25 5RJ  
T 01726 871025 | F 01726 871731 | Email [sales@coastal-group.com](mailto:sales@coastal-group.com) | Visit [www.coastal-group.com](http://www.coastal-group.com)

CGM  
COMPLIANCE GUIDE  
MANUAL



Helping  
Customers  
meet Part Q

# PART COMPLIANCE Guide Manual

Product Type:

**Single Door Open In.**

TEST NUMBER: 15857

**7 Parts of PAS24**  
required to meet part Q

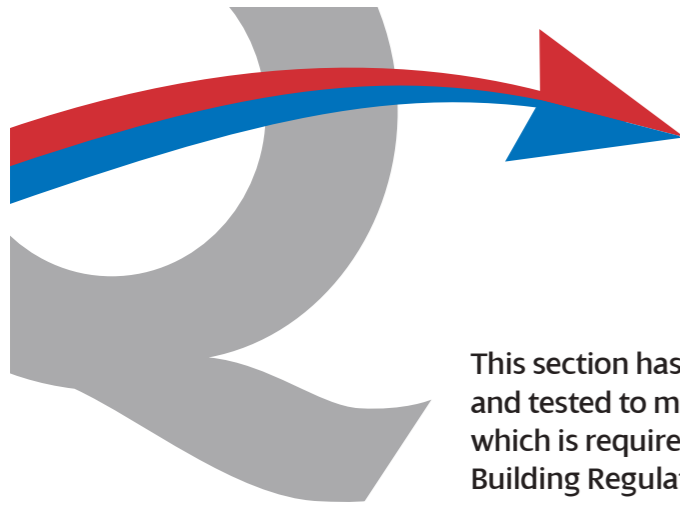
1. Manual Check Test
2. Manipulation Test
3. Mechanical Loading Test
4. Manual Cutting Test
5. Soft Body Impact Test
6. Hard Body Impact Test
7. Security Hardware & Cylinder Test



Details of the PAS24 test can be seen at [www.coastal-group.com/PartQ](http://www.coastal-group.com/PartQ)

Coastal have invested in an official PAS24 test. The test certificate can be cascaded down if the door design and component specification is as per this compliance guide.

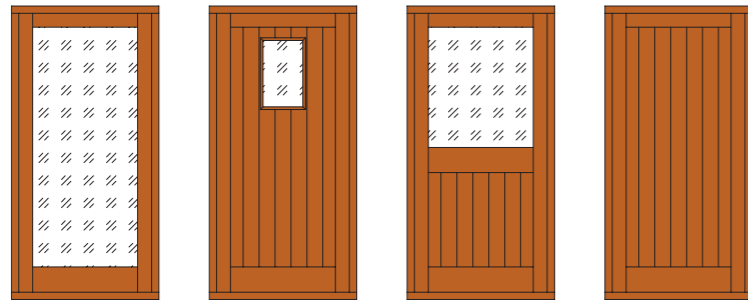
[coastal-group.com/PartQ](http://coastal-group.com/PartQ)



This section has been designed and tested to meet PAS24:2012 which is required for Part Q of Building Regulations

(October 2015)

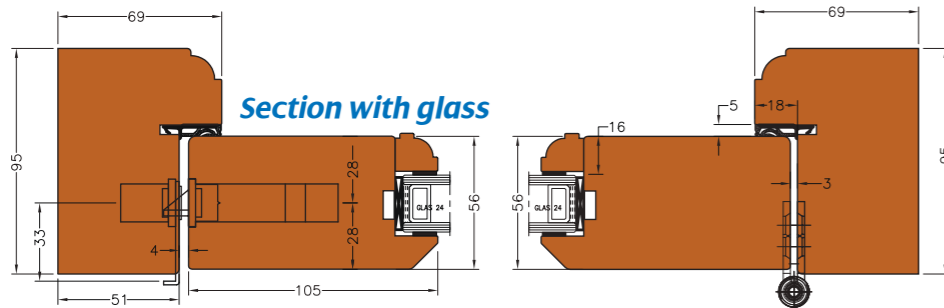
### Door types covered in this scope



Please Note:

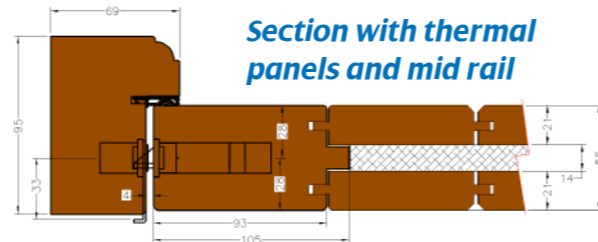
Referring to Approved Document Q 2015 edition, the main doors for entering a dwelling (usually the front door) should have a door viewer unless other means exists to see callers, such as clear glass within the door or a window next to the doorset. The same doorset should also have a door chain or door limiter.

- Internal glazing can be used (tested on 16155)
- Various moulding details can be used.
- 15mm rebates can be used (tested on 16155)
- Sections available in pdf or dwg.
- Timber must be denser than 432 KG M<sup>3</sup>.
- Max outer frame size 1100mm wide x 2210mm high.
- CF16 tape has to be used on sash rebate and glazing beads. Beads also need to be pinned.

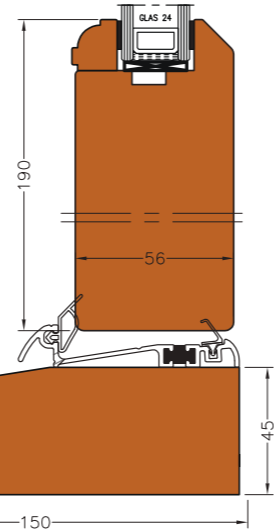
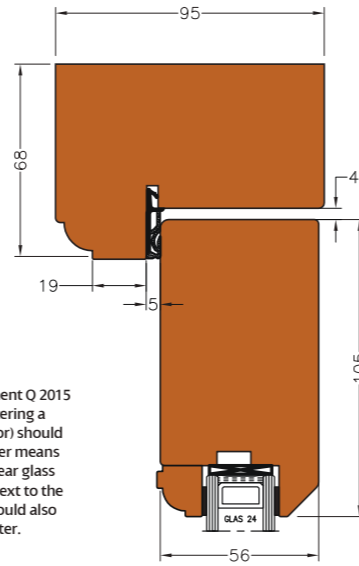


Hollodeen threshold can also be used.

All measurements shown are minimum. These dimensions cannot decrease but can increase.



## SECTION TESTED



## What Components do I need to use?

### DOOR LOCK

ML60R-35	20mm Round End	35mm Backset - Size 2	Twin Tapered Dead Bolt Lock
ML60R-45	20mm Round End	45mm Backset - Size 2	Twin Tapered Dead Bolt Lock
ML60R-55	20mm Round End	55mm Backset - Size 2	Twin Tapered Dead Bolt Lock
ML60S-45-1	20mm Square End	45mm Backset - Size 1	Twin Tapered Dead Bolt Lock
ML60S-45	20mm Square End	45mm Backset - Size 2	Twin Tapered Dead Bolt Lock
ML66S-45	16mm Square End	45mm Backset - Size 2	Twin Tapered Dead Bolt Lock

### KEEPS

MK7-FLU	Single Keep	
MK9	Centre Keep - Left/Right Hand	To suit upto 56mm Door
MK9-33	Centre Keep - Left/Right Hand	To suit upto 66mm Door
MK28	One Piece Surface Adjustable Keep	To suit upto 56mm Door
MK10-LH	Left Hand Full Length Surface Adjustable Keep	To suit upto 66mm Door
MK10-RH	Right Hand Full Length Surface Adjustable Keep	To suit upto 66mm Door
MK26	Universal Full Length Surface Adjustable Keep	To suit upto 66mm Door

### EURO CYLINDER

KPD	3 Star Euro Cylinder - 3 Star TS007 - Double (key/key)	Any size
KPT	3 Star Euro Cylinder - 3 Star TS007 - Thumbturn (Turn/key)	Any size

Any door handle can be used - All security is covered within the KPD/KPT euro cylinder tested

### BUTT HINGE

HQ4-316	102x76x3mm Phosphor Bronze - Square End - Washered Hinge 316 Grade Stainless Steel
HQ4R-316	102x76x3mm Phosphor Bronze - Round End - Washered Hinge 316 Grade Stainless Steel

3 hinges required for doors up to 2210mm or 120Kg Maximum Weight.

### SEALS

SPV124-15/18	Tempo Frame Weatherseal	
CF1612	CoFirm 1.6x12mm Glazing Tape	Larger tapes can be used

### FIXINGS

RHF440	4x40mm Red Horse Screws	For Lock & Keep fixings
RHF540	5x40mm Red Horse Screws	For Butt Hinges
RHF590	5x90mm Red Horse Screws	For Frame fixing assembly

#### What was used in the test (worst case scenario)

**Glass** - 4/16/4 - Toughened Double Glazed with at least one pane of laminated glass meeting the requirements of BS EN 356:2000, Class P1A, and be glazed in accordance with BS 6262.

**Timber** - Accoya (510 KG M<sup>3</sup>)

www.coastal-group.com/PartQ · PartQ@coastal-group.com

