



Hardware Solutions

Edition 6

For External Timber Doors & Windows



COASTAL

Our Sense of Purpose

Perfect Fit Guaranteed

The basis for our
decision making.

Superior Standards Always

The principle behind
our actions.

Ultimate Lasting Performance

The status we want
to achieve.

Born on the rugged shores of Cornwall back in 2003, but opening doors and windows globally, Coastal Group is a family owned business which specialises in the design and manufacture of precision-made hardware solutions for external doors and windows.

We continuously innovate in the design and manufacture of every piece to ensure it enhances the look and improves the performance and durability of the doors and windows they're fitted to.

Consistently. Every time.

Loren Jenner

Managing Director, Coastal Group



Contents

HOW WE CAN HELP YOU	4	WINDOW SYSTEMS	174
Bespoke Solutions	4	TRITUS FLUSH CASEMENT WINDOW SYSTEM	175
Next Day Delivery	4	EBM (MACO TRICOAT-EVO) SHOOTBOLT WINDOW SYSTEM	186
OUR BRANDS	7	EXCALIBUR SHOOTBOLT WINDOW SYSTEM	190
BRANDS WE SELL	11	TILT & TURN (MACO TRICOAT-EVO) WINDOW SYSTEM	192
LEVER DOOR HANDLE RANGE	13	ESPAGNOLETTE BOLTS & KEEPS	196
PULL HANDLE RANGE	27	FRICITION HINGES	200
STRAIGHT SLIDE DOOR HANDLES	33	WINDOW BUTT HINGES & PIVOTS	208
ESCUTCHEONS & CYLINDER PULLS	37	WINDOW ESPAGNOLETTE HANDLES	213
LETTER PLATES	44	CASEMENT WINDOW STAYS & FASTENERS	220
DOOR KNOCKERS & DOOR KNOBS	48	WINDOW FITTINGS & ACCESSORIES	227
DOOR HINGES & PIVOTS	53	SLIDING SASH HARDWARE	230
MULTIPOINT DOOR LOCKING SYSTEMS	60	TRICKLE VENTS & CANOPIES	240
Single Door - Lever Operated	64	WEATHERSEALS & TAPES	246
Single Doors - Key Operated	75	PRE-MACHINED BEADS & PROFILES	260
Single Doors - Slam Shut Auto Lock	80	FIXINGS, SPARES AND TOOLS & ACCESSORIES	263
Single Doors - Stable Doors	93	DOOR AND WINDOW TOOLING	270
Single Door - Keeps & Accessories	98	HARDWARE CARE & MAINTENANCE	282
Double Doors - Lever Operated	104	TERMS AND CONDITIONS	292
Double Doors - Slam Shut Auto Lock	114	COASTAL'S DOCUMENT Q SCHEME	294
EURO PROFILE & THUMBTURN CYLINDERS	121	MARKETING ASSIST	296
MORTICE LOCKS & NIGHTLATCH	125	MARKETING SUPPORT & ASSISTANCE	296
BOLTS & ACCESSORIES	128	HARDWARE SALES DISPLAYS	298
DOOR THRESHOLDS	135		
BIFOLD DOOR SYSTEMS	139		
ROOMFLEX 40	140		
SECUREFOLD PRO	143		
SECUREFOLD BOTTOM ROLLING	146		
SLIDING DOOR SYSTEMS	154		
HUSKY PRO 120	155		
VOLO	158		
RULLO PLUS	161		
INOWA	164		
HS PORTAL	168		

All the information contained in this manual was correct at the time of printing. Should you require confirmation of any information prior to manufacture of your products, please contact us using the details below for up to date information, product specification and availability.

We reserve the right to amend any information without prior notice.

Coastal Group

Coastal Specialist Ironmongery Limited
Global House, Bojea Industrial Estate, Trethowel
St Austell, Cornwall, PL25 5RJ, UK
T 01726 871 025 | F 01726 871 731 | E sales@coastal-group.com

Company No. 6770364 | VAT No. 807 4776 07
© Coastal Specialist Ironmongery Limited 2023



HOW WE CAN HELP YOU

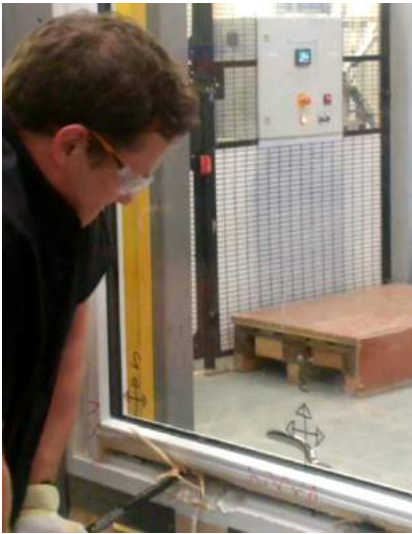


Bespoke Solutions

Looking to source the right door or window product to fulfil your needs, or one which meets your high performance standards? We're versatile and tailor our way of working to suit your individual needs.

Contact sales@coastal-group.com to discuss your requirements.

We're passionate about helping our customers. Not only do we provide solutions for door and window hardware, we also help our customers to grow their business by giving them support and assistance. See more information on pages 294 - 298.



Part Q Schemes



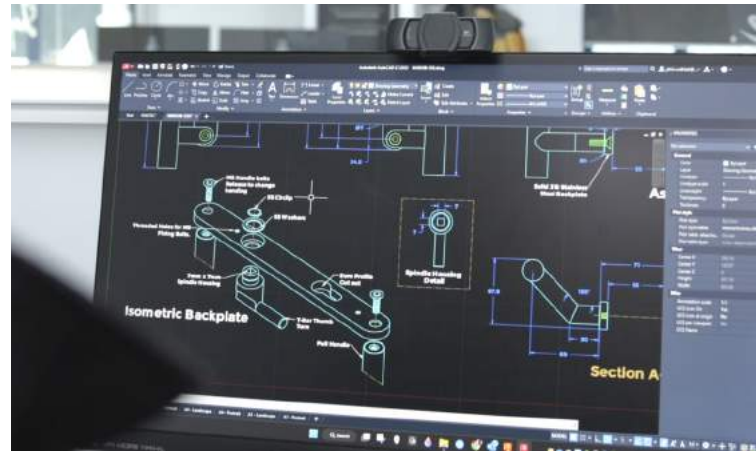
Marketing Assist



Hardware Sales Displays

Design and Development

We're constantly scouring the marketplace for new consumer trends, end-user needs and technological advances, as well as keeping up to date with the latest regulations. Where existing door and window hardware and designs have become outdated or no longer meet changing customer needs we work to provide you with solutions.



Same Day Despatch

Great Service and Fast Delivery are as important to you as they are to us and we continue to invest to provide you with an industry-beating service. Our Distribution Centres and Warehouse Management System have been upgraded to increase and improve our stockholding and our 'On Time In Full' delivery service.



In-house Design and Build - Delivering You Quality

We're fanatical about ensuring our door and window hardware provides ultimate lasting performance.

To ensure we deliver you hardware which lives up to our brand values, and doesn't let your brand down, we retain control of each step of the process - from design, to sourcing quality components from around the globe and build of our BLU™, DURATIQUE™ and GLACE™ products.

Enhancing your doors and windows.

DESIGNED & BUILT IN THE UK





Have you taken advantage of your online ordering portal?

Our website has been set up to save you time, make your reordering process quicker and provide support for your day-to-day operation.

Create an Account and enjoy the benefits:

- View your bespoke pricing online
- Favourites lists for fast reordering
- View account balance and purchase history
- Credit account function - enabling one simple monthly payment (once qualified)
- Lower carriage paid order



Other benefits of having an account and using our website to order

Account Overview				Sign Out
PURCHASES	FAVOURITES	BILLING	SETTINGS	CASES
Purchases History	All my lists	Account Balance	Profile Information	Support Cases
Returns	Classic Front Entrance Door (5)	Invoices	Email Preferences	Submit New Case
Reorder Items	My list (0)	Transaction History	Address Book	
Quotes		Print a Statement	Credit Cards	
			Update Your Password	



Create an Account Now

OUR BRANDS

We're fanatical about ensuring our door and window hardware provides ultimate lasting performance. To ensure we deliver you hardware which lives up to our brand values and doesn't let your brand down, Our range of door and window hardware designed and built in-house in the UK from components manufactured by specialists around the globe continues to grow - providing you with peace of mind that you're purchasing quality hardware from a stable supply chain.

BLU™

316 Marine Grade Stainless Steel external door and window hardware solutions designed to enhance the aesthetics and performance of doors and windows.

- A 'Best in Class' Lifetime Guarantee, providing peace of mind that your Exterior Door and Window Hardware Solutions will last at least as long as the Doors and Windows themselves.



Note: BLU™ MSB and ORB finishes come with a 15 Year Finish Guarantee.

DURATIQUE™

Black Antique Hardware that's built to last. Tired of iron based black antique door furniture rusting and falling apart? DURATIQUE™ was designed by Coastal to outlast the door itself.

- Durability - Manufactured from Stainless Steel and Salt Spray Test to Class 5
- Value - 25 Year Mechanical guarantee and 15 Year finish guarantee.



GLACE™

A range of hardware made from solid brass. Using the latest manufacturing technologies, this hardware range features classic styling combined with quality.

- The GLACE Hardware Range is forged to ensure consistent and accurate fixing points every time.





BLU™

Your Benefits

DESIGN

Designed to enhance the aesthetics and performance of your external doors and windows and set them apart from your competition.

INNOVATION

We're constantly looking at ways to improve the product offering and performance and create new solutions to meet your needs.

DURABILITY / LONGEVITY

The BLU™ product range is made from 316 Marine Grade Stainless Steel as standard. Helping resist long term corrosion and keeping your doors and windows looking better for longer.

VALUE FOR MONEY

Excellent lifetime value, providing you the quality you can afford.

SUITED RANGE

A fully suited range of quality door and window hardware in matching finishes.

BLU™ Finishes

Our range has been carefully developed and refined over many years to bring you a wide selection of product finishes which meet market demands for both classic and contemporary styles.

Satin Stainless Steel SSS

Raw 316 Marine Grade Stainless Steel with an extra fine finishing processes applied to give it our unique 'super-satin' silky finish.

Suits classic styles just as much as the modern contemporary look.

Polished Stainless Steel PSS

Raw 316 Marine Grade Stainless Steel polished to perfection to ensure a stunning mirror smooth reflective finish.

Typically used on classic period designs.

PVD Stainless Satin Brass PSB

Our 316 Marine Grade Satin Stainless Steel with a PVD Brass coating applied to it to give a warm matt finish which looks equally at home with classic or contemporary styles.

PVD Stainless Polished Brass PPB

Our 316 Marine Grade Polished Stainless Steel with a PVD Brass coating applied to it to give a warm polished to perfection finish which is synonymous with classic period styles.

PVD Stainless Satin Black PBK

Our 316 Marine Grade Satin Stainless Steel with a PVD Black coating applied to it to give a distinctive matt finish providing excellent aesthetics for both contemporary and traditional styles.

Matt Smooth Black MSB

316 Marine Grade Satin Stainless Steel with a Matt Smooth Black powder coating applied to it for a look which works well for both traditional and contemporary styles.

Oil Rubbed Bronze ORB

316 Marine Grade Satin Stainless Steel with an Oil Rubbed Bronze powder coating applied to it to provide a deep, warm matt look.

WHAT IS PVD COATING

The PVD (Physical Vapour Deposition) coating provides an additional hardwearing protective layer to the stainless steel to combine the durability of the stainless steel with the need for a variety of available finishes.



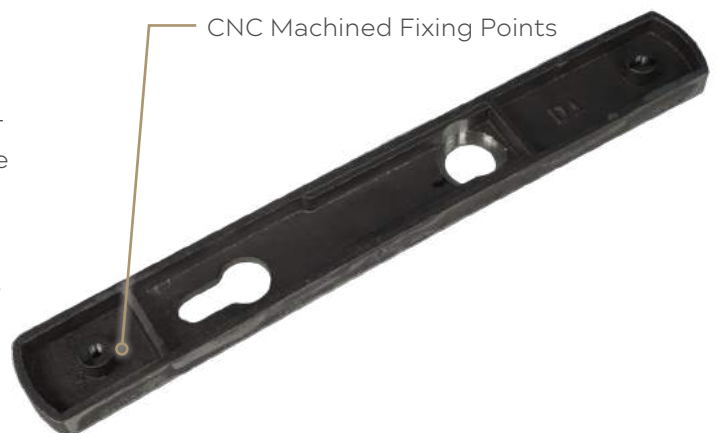
DURATIQUÉ™

Your Ultimate Antique Hardware - Made from Stainless Steel.

DURATIQUÉ™ brings you many benefits:

No more issues of rusting black antique hardware - DURATIQUÉ™ is manufactured from a base material of Stainless Steel to prevent it corroding.

- DURATIQUÉ™ door handle has been successfully Salt Spray Tested to Class 5.
- Ideal for use where corrosion levels are high such as coastal environments and with acidic timber.
- No more inconsistent product making it time consuming to fit - CNC machined fixing screw and lever locations. This ensures they're in a consistent location - enabling you to batch produce the doors and fit the hardware quicker.
- No more sagging handles and rattling spindles - high quality dual sprung mechanism and spindle ensures a nice positive action and returns the handle consistently to its original position.
- Part of a suited range of antique door hardware made from stainless steel.





GLACE™

Solid Brass Hardware

A range of hardware made from solid brass and available in a range of matching finishes. Using the latest manufacturing technologies, GLACE™ combines quality with classic styling.

Forged from solid brass to ensure consistent and accurate fixing points every time.

A number of GLACE™ items were successfully used in our Sliding Sash Part Q test.

BRANDS

WE DISTRIBUTE

As well as our own range of hardware we are main stockists and distributors for other leading brands such as, but not limited to, those listed below.

If you cannot find the product you require then please contact our knowledgeable team on sales@coastal-group.com or tel: 01726 871 025.

DEVENTER



Window & Door
Technology



HENDERSON



SIEGENIA[®]
brings spaces to life



dormakaba



FINISHES

AAL	ANODISED SATIN ALUMINIUM
ABR	ANTIQUÉ BRASS
AP	ANTIQUÉ PEWTER
ASS	AUSTENITIC STAINLESS STEEL
BA	BLACK ANTIQUÉ
BK	BLACK
BKM	BLACK MATT
BP	POLISHED BRASS (SOLID BRASS)
BR	BROWN
CP	POLISHED CHROME (CHROME PLATED)
DBZ	DARK BRONZE
EB	ELECTRO PLATED BRASS
FSS	FERRITIC STAINLESS STEEL
GD	GOLD
GR	GREY (RAL7040)
HC	HARDEX CHROME
HG	HARDEX GOLD
HS	HARDEX SATIN
MSB	MATT SMOOTH BLACK
NK	NICKEL
OK	OAK
ORB	OIL RUBBED BRONZE (SLIGHT GOLD SPECKLE)
ORZ	OIL RUBBED BRONZE (SOLID COLOUR)
PB	POLISHED BRASS (BRASS PLATED)
PC	POLISHED CHROME (CHROME PLATED ON BRASS)
PBK	PVD STAINLESS SATIN BLACK
PN	PINE
PPB	PVD STAINLESS POLISHED BRASS
PSB	PVD STAINLESS SATIN BRASS
PSS	POLISHED STAINLESS STEEL
SAP	SAPELE
SB	SATIN BRASS
SBK	SATIN BLACK
SC	SATIN CHROME
SM	SMOKEY CHROME
SSS	SATIN STAINLESS STEEL
SV	SILVER PASSIVATED
TE	MACO TRICOAT EVO
TMB	TEXTURED MATT BLACK
USS	UNFINISHED STAINLESS STEEL
ZP	ZINC PLATED
WH	WHITE



LEVER DOOR HANDLE RANGE

BLU™

Regent Lever Door Handle on Backplate



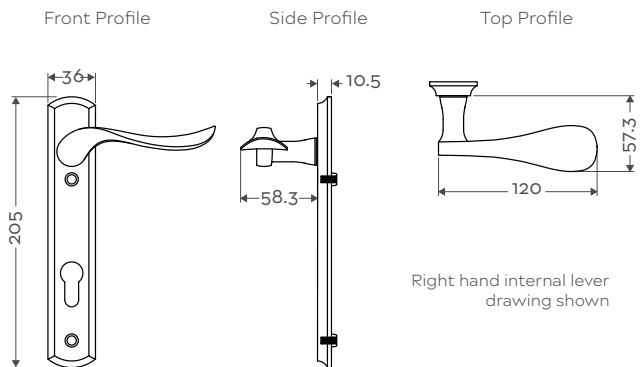
Regent Lever Door handle features elegant styling to create a classic look.

- Elegant lever door handle for multipoint door lock.
- Unsprung lever action.
- Made from 316 Marine Grade Stainless Steel for durability.
- PBK black finish has been successfully salt spray tested to 1000 hours, test: ASTM B117-2019.



PART NUMBER	PRODUCT DESCRIPTION	FINISH	UNITS
REG090-LH-SSS	Regent lever door handle on backplate	SSS	Pair
REG090-RH-SSS		SSS	Pair
REG090-LH-PSS		PSS	Pair
REG090-RH-PSS		PSS	Pair
REG090-LH-PSB		PSB	Pair
REG090-RH-PSB		PSB	Pair
REG090-LH-PPB		PPB	Pair
REG090-RH-PPB		PPB	Pair
REG090-LH-PBK		PBK	Pair
REG090-RH-PBK		PBK	Pair
REG090-LH-ORB*		ORB	Pair
REG090-RH-ORB*		ORB	Pair

* ORB is a powder coated finish
For handing information see page 26.



Suited window handle available. See page 216 for details.

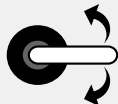


Suited Door Hardware shown

BLU™ Opera Lever Door Handles

Features a classic bulb-end design.

- High quality elegant design.
- Suitable for multipoint door locks.
- PBK black finish has been successfully salt spray tested to 1000 hours, test: ASTM B117-2019.
- Made from 316 Marine Grade Stainless Steel for durability.
- Solid 316 stainless steel lever.

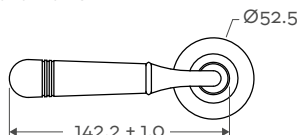


Dual
Sprung
Action

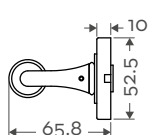


PART NUMBER	PRODUCT DESCRIPTION	FINISH	UNITS
TBH100-SSS	Opera lever door handle on round rose	SSS	Pair
TBH100-PSB		PSB	Pair
TBH100-PBK		PBK	Pair

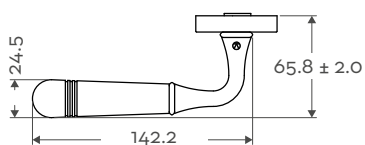
Front Profile



Side Profile



Top Profile



Opera Lever Door Handle on Round Rose

- Fixings concealed behind clip-on round rose.
- Durability tested to BS EN 1906:2012, Durability Grade 7 - 200,000 Cycles.
- Dual Sprung.



PART NUMBER	PRODUCT DESCRIPTION	FINISH	UNITS
TBH095-SSS	Opera lever door handle on backplate	SSS	Pair
TBH095-PSB*		PSB	Pair
TBH095-PBK*		PBK	Pair

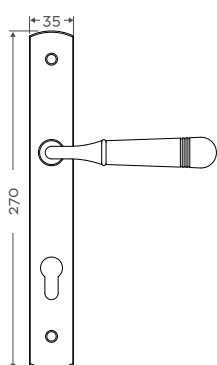
* Available Q1 2024

Opera Lever Door Handle on Backplate

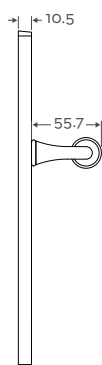
- High quality dual spring cassette ensures quality handle operation and prevents handle sag.



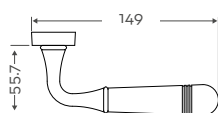
Front Profile



Side Profile



Top Profile



Internal lever drawing shown

Visit www.coastal-group.com for CAD drawings

Suited window handle available.
See page 216 for details.



BLU™ Ergonomic Lever Door Handles

Combines quality with comfort and style, featuring ergonomic grip design.

- Fixings concealed behind clip-on cover.
- Part of a suited range of hardware.
- Ideal for use where corrosion levels are high such as coastal environments and with acidic timber.
- Suitable for multipoint door locks.
- Made from 316 Marine Grade Stainless Steel for durability.
- Solid 316 stainless steel lever.



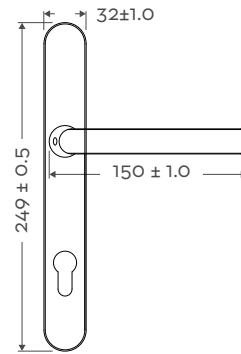
Ergonomic Lever Door Handle on Backplate

- High quality dual spring cassette ensures quality handle operation and prevents handle sag.
- Durability tested to BS EN 1906:2012, Durability Grade 7 - 300,000 cycles.

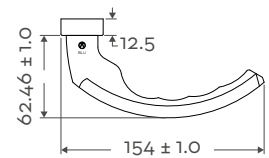


PART NUMBER	PRODUCT DESCRIPTION	FINISH	UNITS
KM130-SSS	Ergonomic lever door handle on backplate	SSS	Pair

Front Profile



Top Profile



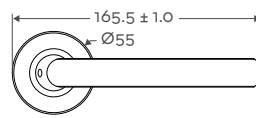
Ergonomic Lever Door Handle on Round Rose

- Durability tested to BS EN 1906:2012, Durability Grade 7 - 200,000 cycles.
- Dual sprung.

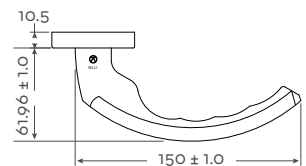


PART NUMBER	PRODUCT DESCRIPTION	FINISH	UNITS
KM035-SSS	Ergonomic lever door handle on round rose	SSS	Pair

Front Profile



Top Profile



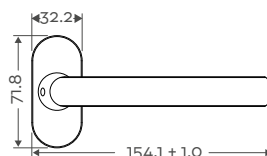
Ergonomic Lever Door Handle on Oval Rose

- Ideal for slim profile.
- Dual sprung.

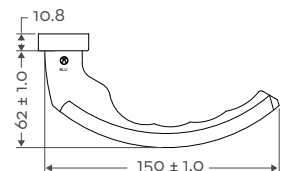


PART NUMBER	PRODUCT DESCRIPTION	FINISH	UNITS
KM930-SSS	Ergonomic lever door handle on oval rose	SSS	Pair

Front Profile



Top Profile



Visit www.coastal-group.com for CAD drawings

BLU™ 'T' Bar Lever Door Handle

For those who want modern styling, the 'T' Bar Lever range makes the perfect style statement.

- Ideal for use where corrosion levels are high such as coastal environments and with acidic timber.
- Part of a suited range of hardware including matching window handle.
- Manufactured from 316 Marine Grade Stainless Steel
- Fixings concealed behind clip-on cover.
- Suitable for multipoint door locks.
- Solid 316 stainless steel lever.

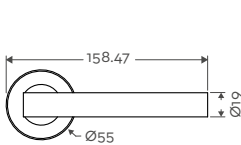


Dual Sprung Action

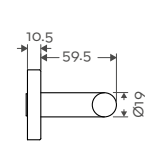


PART NUMBER	PRODUCT DESCRIPTION	FINISH	UNITS
KM065-SSS	T-Bar lever door handle on round rose	SSS	Pair

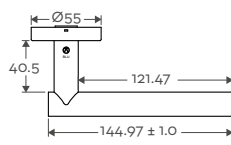
Front Profile



Side Profile



Top Profile



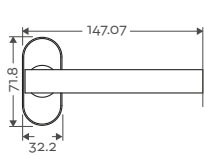
'T' Bar Lever Door Handle on Round Rose

- Durability tested to BS EN 1906:2012, Durability Grade 7 - 200,000 Cycles.

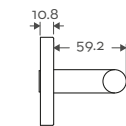


PART NUMBER	PRODUCT DESCRIPTION	FINISH	UNITS
KM965-SSS	T-Bar lever door handle on oval rose	SSS	Pair

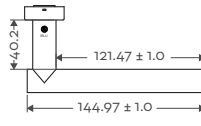
Front Profile



Side Profile



Top Profile



Visit www.coastal-group.com for CAD drawings

'T' Bar Lever Door Handle on Oval Rose

- Ideal for slim profiles.



Suited window handle available. See page 214 -215 for details.



BLU™ Mitre Lever Door Handle

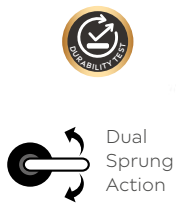
For those who want modern styling, the Mitre Lever range with its clean, crisp lines is perfect.

- Fixings concealed behind clip-on cover.
- Part of a suited range of hardware including matching window handle.
- Manufactured from 316 Marine Grade Stainless Steel.
- Ideal for use where corrosion levels are high such as coastal environments and with acidic timber.
- Suitable for multipoint door locks.
- Solid 316 stainless steel lever.
- PBK black finish has been successfully salt spray tested to 1000 hours, test: ASTM B117-2019.



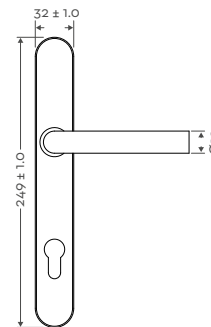
Mitre Lever Door Handle on Backplate (Dual Sprung)

- High quality dual spring cassette ensures quality handle operation and prevents handle sag.
- Durability tested to BS EN 1906:2012, Durability Grade 7 - 300,000 cycles.

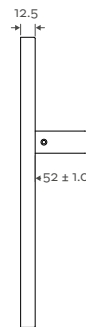


PART NUMBER	PRODUCT DESCRIPTION	FINISH	UNITS
KM078-SSS	Mitre lever door handle on backplate - dual sprung	SSS	Pair
KM078-PSS		PSS	Pair
KM078-PBK		PBK	Pair

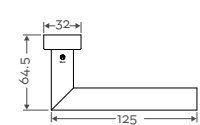
Front Profile



Side Profile



Top Profile



Mitre Lever Door Handle on Backplate (Unsprung)

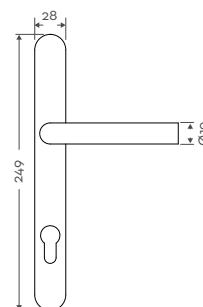
- Features a slimline backplate.

Available as a lever only with no euro profile cut-out on backplate (KM070S) or blank backplate only (KM070CP).

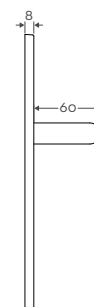


PART NUMBER	PRODUCT DESCRIPTION	FINISH	UNITS
KM070-SSS	Mitre lever door handle on backplate - unsprung	SSS	Pair
KM070S-SSS	Lever on blank plate	SSS	Each
KM070CP-SSS	Blank backplate only	SSS	Each

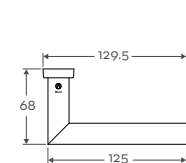
Front Profile



Side Profile

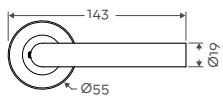


Top Profile

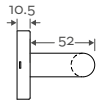


PART NUMBER	PRODUCT DESCRIPTION	FINISH	UNITS
KM060-SSS	Mitre lever door handle on round rose	SSS	Pair
KM060-PSS		PSS	Pair
KM060-PSB		PSB	Pair
KM060-PBK		PBK	Pair

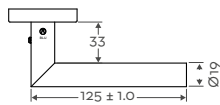
Front Profile



Side Profile



Top Profile



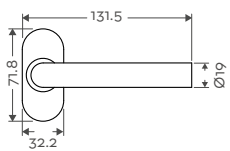
Mitre Lever Door Handle on Round Rose

- Durability tested to BS EN 1906:2012, Grade 7 - 200,000 Cycles

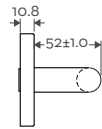


PART NUMBER	PRODUCT DESCRIPTION	FINISH	UNITS
KM960-SSS	Mitre lever door handle on oval rose	SSS	Pair
KM960-PSS		PSS	Pair

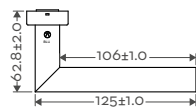
Front Profile



Side Profile



Top Profile

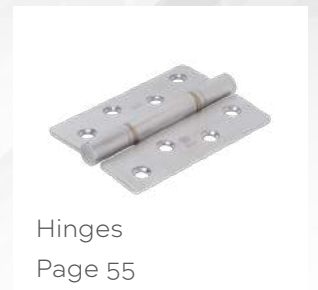
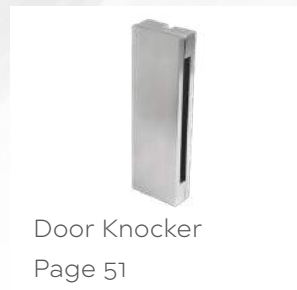


Mitre Lever Door Handle on Oval Rose

- Ideal for slim profiles



Suited Door Furniture



BLU™ 'Wing' Lever Door Handle

The sweeping lines of the Wing handle provide a comfortable ergonomic design.

- Ideal for use where corrosion levels are high such as coastal environments and with acidic timber.
- Manufactured from 316 Marine Grade Stainless Steel for durability
- Fixings concealed behind clip-on cover.
- Suitable for multipoint door locks.
- Solid 316 stainless steel lever.



Dual Sprung Action



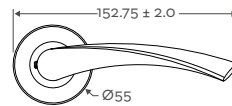
'Wing' Lever Door Handle on Round Rose

- Durability tested to BS EN 1906:2012, Durability Grade 7 - 200,000 Cycles.

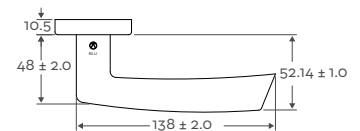


PART NUMBER	PRODUCT DESCRIPTION	FINISH	UNITS
WH900-SSS	Wing lever door handle on round rose	SSS	Pair

Front Profile



Top Profile



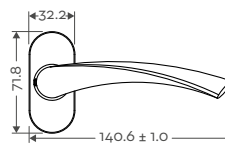
'Wing' Lever Door Handle on Oval Rose

- Ideal for slim profiles.

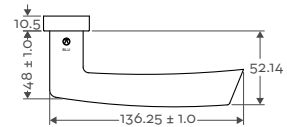


PART NUMBER	PRODUCT DESCRIPTION	FINISH	UNITS
WH990-SSS	Wing lever door handle on oval rose	SSS	Pair

Front Profile



Top Profile



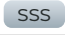

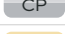
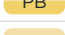



Visit www.coastal-group.com for CAD drawings

Keep your doors secure with Winkhaus Multipoint Locks and Euro Cylinders

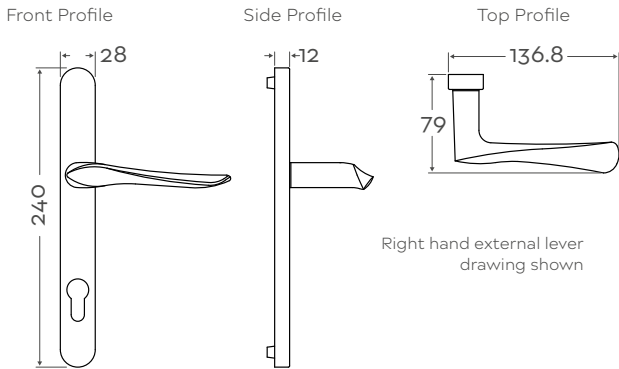
Multipoint Locks - page 60.

Cylinders - page 121.



PART NUMBER	PRODUCT DESCRIPTION	FINISH	UNITS
MHP60-LH-KIT-SSS	Kuhlen door handle		Pair
MHP60-RH-KIT-SSS			Pair
MHP60-LH-KIT-CP			Pair
MHP60-RH-KIT-CP			Pair
MHP60-LH-KIT-PB			Pair
MHP60-RH-KIT-PB			Pair
MHP60-LH-KIT-BK			Pair
MHP60-RH-KIT-BK			Pair

For handing information see page 26.



Kuhlen Lever Door Handle

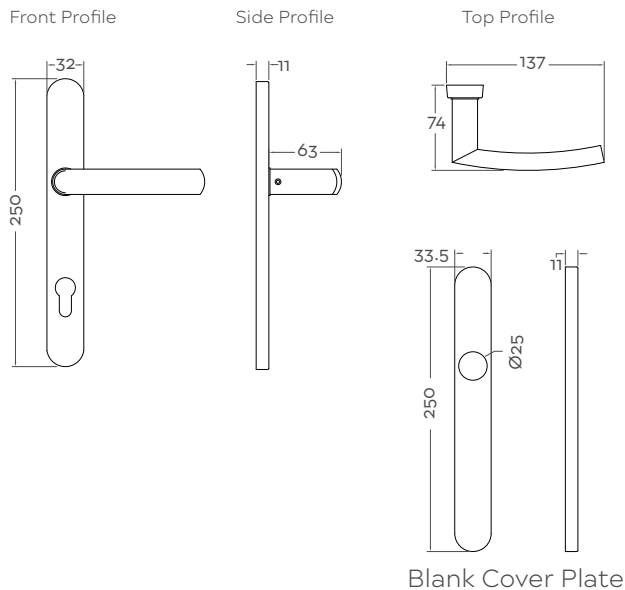
- Features elegant styling for a classic look.
- Suitable for use with multipoint door locks.
- Cassette sprung lever action.
- Mechanically tested to 50,000 cycles
- Stainless steel variants made from 304 stainless steel and salt spray tested to 1,000 hours.
- Black powder coated version made from zinc and corrosion resistant to EN1670: Grade 5 (480 hours).



Suited window handle available. See page 218 for details.



PART NUMBER	PRODUCT DESCRIPTION	FINISH	UNITS
JR095-304-SSS	Jigsaw Door Handle		Pair
JR095-304-PSS			Pair
JR095-304-PPB			Pair
JR095CP-304-SSS	Blank Cover Plate Only		Each
JR095CP-304-PSS			Each
JR095CP-304-PPB			Each



Jigsaw Lever Door Handle

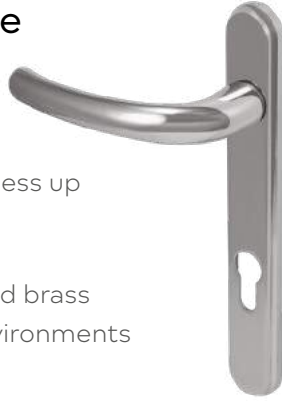
- High quality dual sprung lever action.
- Clip-on backplate covers screw fixings.
- Reduced lever handle projection making it more suitable for use on folding door systems
- Suitable for use with multipoint door locks.
- Manufactured from 304 Grade Stainless Steel.
- Blank cover plate available for use on handles where no euro cylinder cut out required (JR095CP).
- 10 Year Guarantee.



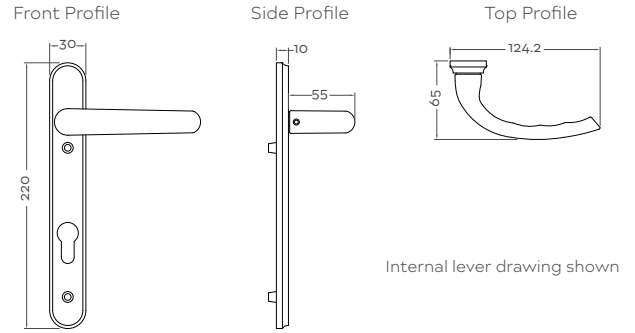
Visit www.coastal-group.com for CAD drawings

Tokyo Lever Door Handle

- Suitable for use with multipoint door locks.
- Suitable for door thickness up to 72mm
- Unsprung handle.
- Manufactured from solid brass
- Not for use in harsh environments

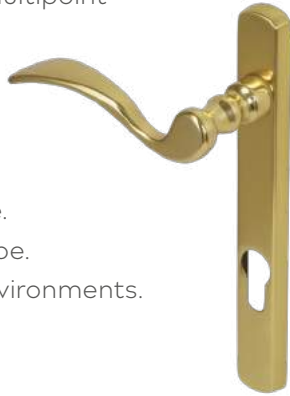


PART NUMBER	PRODUCT DESCRIPTION	FINISH	UNITS
MHT92-PC	Tokyo door handle	PC	Pair



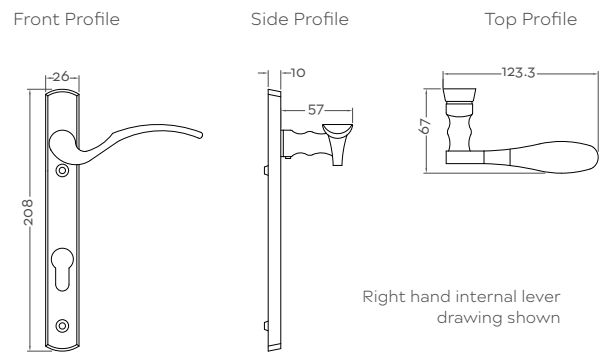
Scroll Classic Lever Door Handle

- Suitable for use with multipoint door locks.
- Suitable for door thickness up to 70mm.
- Unsprung handle.
- Narrow style backplate.
- Ergonomic handle shape.
- Not for use in harsh environments.



PART NUMBER	PRODUCT DESCRIPTION	FINISH	UNITS
M140NP92-LH-PB	Scroll classic door handle	PB	Pair
M140NP92-RH-PB		PB	Pair

For handing information see page 26.

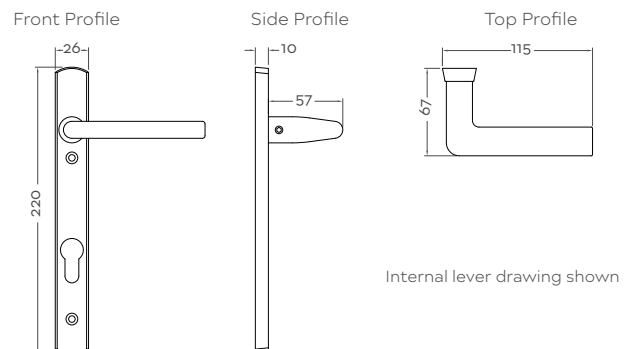


Rosa Lever Door Handle

- Suitable for use with multipoint door locks.
- Narrow style backplate.
- Certified to BS EN 1906.
- Fire door rated.
- Unsprung handle.
- Polished brass version is PVD coated.
- Not for use in harsh environments.

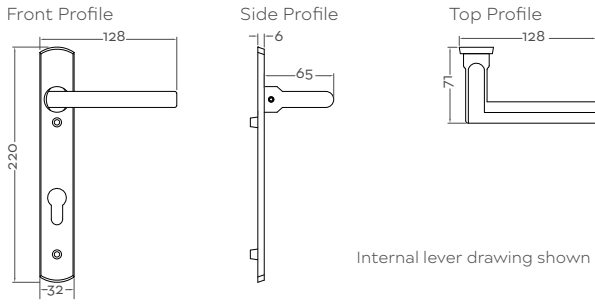


PART NUMBER	PRODUCT DESCRIPTION	FINISH	UNITS
SZS01NP92-SC	Rosa door handle	SC	Pair
SZS01NP92-BP		BP	Pair



Visit www.coastal-group.com for CAD drawings

PART NUMBER	PRODUCT DESCRIPTION	FINISH	UNITS
CMNP120-SSS	Solid oval door handle	SSS	Pair

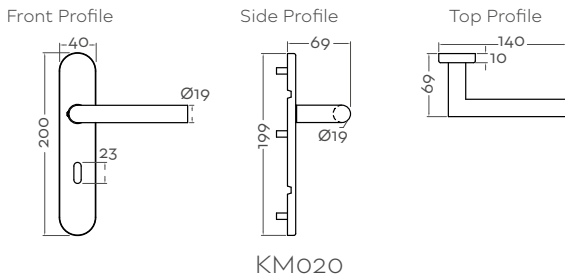


CoMarine Lever Door Handle - Solid Oval

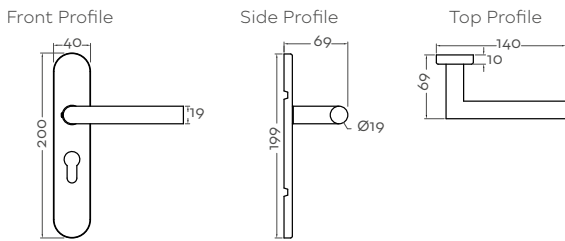
- Multipoint door lock handle with solid oval lever.
- Certified to BS EN 1906.
- Fire door rated.
- Unsprung handle.
- Manufactured from solid 316 Marine Grade Stainless Steel.



PART NUMBER	PRODUCT DESCRIPTION	FINISH	UNITS
KM020-SSS	57mm Standard keyhole door handle set	SSS	Pair
KM030-SSS	48mm Euro profile door handle set	SSS	Pair



KM020



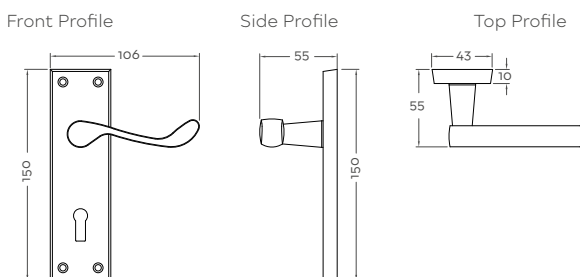
KM030

CoMitre Lever Door Handle (Sprung)

- Fixings concealed behind clip-on backplate.
- Available with blank backplate or standard keyhole or euro profile cut out on backplate.
- Lever handle and clip-on backplate are manufactured from 304 Grade Stainless Steel.
- Not for use in harsh environments.



PART NUMBER	PRODUCT DESCRIPTION	FINISH	UNITS
DL54-SC	Victorian scroll door handle - 5 lever lock	SC	Pair
DL54-PB		PB	Pair



Victorian Scroll Lever Door Handle (Sprung)

- Victorian classic style handle.
- Fire door rated.
- Suitable for use with 5 lever locks.
- Not for use in harsh environments.

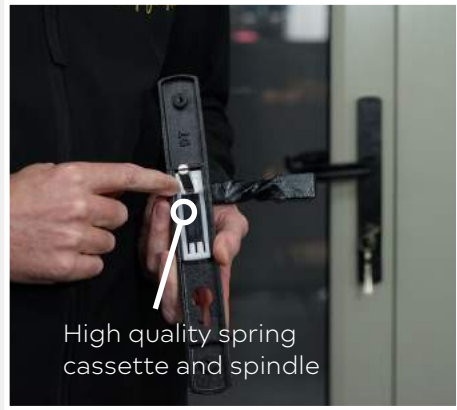


Visit www.coastal-group.com for CAD drawings

DURATIQUE™

Black Antique Lever Door Handles

- Complete with fixing pack for door thicknesses of between 44-68mm.
- Backplate CNC machined to ensure consistency of screw holes and handle centres.
- Heavy duty spring cassette for a solid, dual lever action.
- Durability tested to BS EN 12217:2003 - 200,000 cycles.
- Class 5 Salt Spray Tested.
- Suitable for multipoint door locks.



High quality spring cassette and spindle



Stainless Steel Fixing



Made from Stainless Steel to prevent corrosion

DESIGNED & BUILT IN THE UK

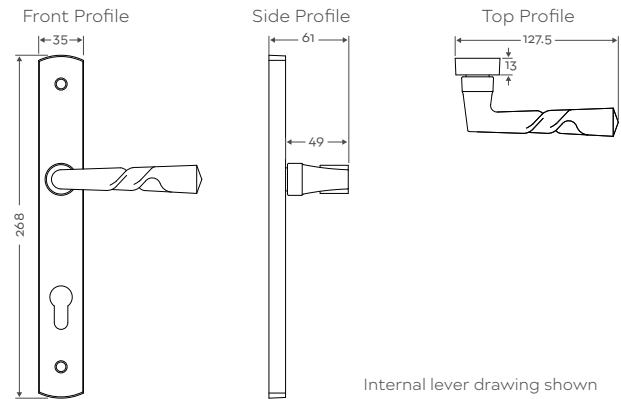


DURATIQUE™ Barley Twist Lever Door Handle

- Narrow backplate with traditional 'barley twist' design lever handle.
- Sometimes referred to as our Villand lever door handle.



PART NUMBER	PRODUCT DESCRIPTION	FINISH	UNITS
CO7100C-TMB	DURATIQUE™ Barley Twist antique multipoint door lock handle	TMB	Pair



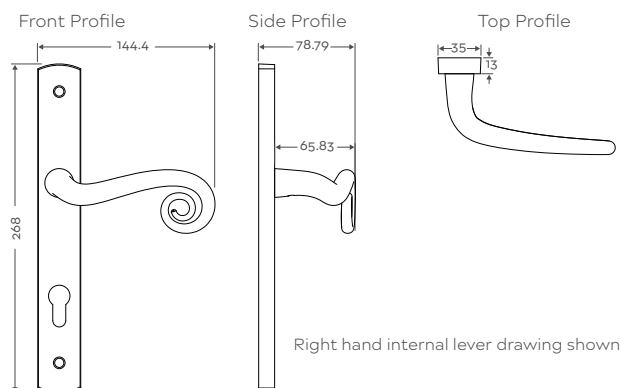
DURATIQUE™ Curly Tail Lever Door Handle

- Narrow backplate with traditional 'Curly Tail' design lever handle.



PART NUMBER	PRODUCT DESCRIPTION	FINISH	UNITS
CO7300C-LH-TMB	DURATIQUE™ Curly Tail multipoint door lock handle	TMB	Pair
CO7300C-RH-TMB		TMB	Pair

For handing information see page 26.

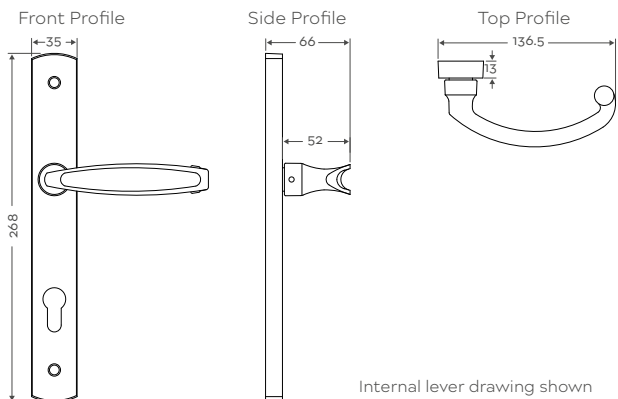


Suited window handle available. See page 217 for details.



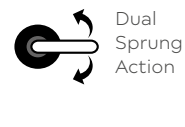
Visit www.coastal-group.com for CAD drawings

PART NUMBER	PRODUCT DESCRIPTION	FINISH	UNITS
CO7200C-TMB	DURATIQUETM Bow Design antique multipoint door lock handle	TMB	Pair

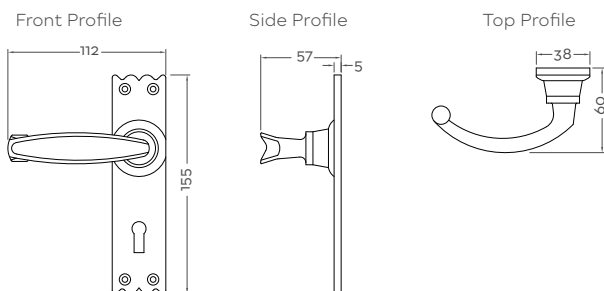


DURATIQUETM Bow Design Lever Door Handle

- Narrow backplate with traditional 'bow' design handle.



PART NUMBER	PRODUCT DESCRIPTION	FINISH	UNITS
BA5507-BA	57mm Standard keyhole handle set	BA	Pair



Antique Lever Door Handle on Narrow Backplate (Sprung)

- An elegant and traditionally designed inward curved handle, ending with a wrapped flange flourish.
- Made from malleable iron base material.
- Black powder coated finish.
- Not suitable for external use.
- Suitable for use with 5 lever locks.



Suited DURATIQUETM Hardware



LP400
See page 47



KM388
See page 49



DKB225
See page 50

Door Handle Handing Method



Right-Hand Handle shown

(As viewed from inside the property)

Door handles are handed as viewed from the inside, which hand you would typically use to open the door.

Handles are fixed from the inside - holes are on the internal handle and bolt through to the external handle.



PULL HANDLE RANGE

- Manufactured from 316 Marine Grade Stainless Steel for extra durability.
- Heavy duty 1.5mm wall thickness for a quality feel.
- Superior fixing method to prevent handle from coming loose.
- Universal fixing method with back-to-back, bolt, or secret fix options.
- Higher tensile strength means no middle stem is required, avoiding conflict with locking mechanism.
- Unique 'super-satin' finish.



Pull Handle shown:

1. HAB15 Inline Rectangular 'T' Bar in PVD Stainless Satin Black
2. HAB4 Square Mitre
3. HAB2 Inline Round 'T' Bar in PVD Stainless Satin Black
4. HAB7 Offset Rectangular 'T' Bar
5. HAB6 Offset Round 'T' Bar



Find out more about BLU™ Pull Handle

Why Fit BLU™ 316 Marine Grade Stainless Steel Pull Handles?

Handle Finishing Process

- Extra finishing process provides a smooth, super-satin finish.
- Ensures a better quality look, and the smoother finish reduces the potential of tea-staining.

Finishing of Handle Ends

- CNC Machined.
- Provides a 'precision engineered' consistent look.

Fixing of Stems to Door

- Brass bush fixing ferrules to prevent handles from coming loose.

Stem to Handle Detail

- 'Precision engineered' stem ends to ensure an accurate joint between stem and handle.
- Robotic welding ensures a strong joint.
- Stainless steel connecting bolts are used to ensure no corrosion issues or rust leakage.

Tensile Strength of Handle

- High tensile strength of handle ensures it doesn't bend over time with opening & shutting door - especially noticeable on handles over 1200mm long and when used on slam-shut doors.

Corrosion Resistance

- The handle is made from 316 Marine Grade Stainless Steel to give the best resistance to corrosion.





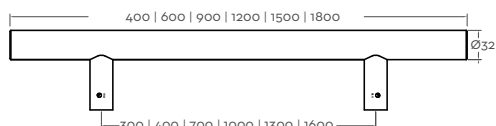
BLU™ Inline Round 'T' Bar Pull Handle

- 316 Marine Grade Stainless Steel, 32mm diameter round bar.
- Inline stems.
- PBK finish has been successfully salt spray tested to 1000 hours, test: ASTM B117-2019.

PART NUMBER	PRODUCT DESCRIPTION	FINISH	UNITS
HAB2-400-UF-SSS	400mm 'T' bar, universal fixing	SSS	Each
HAB2-600-UF-SSS	600mm 'T' bar, universal fixing	SSS	Each
HAB2-600-UF-PBK	600mm, 'T' bar, universal fixing	PBK	Each
HAB2-900-UF-SSS	900mm 'T' bar, universal fixing	SSS	Each
HAB2-900-UF-PBK	900mm, 'T' bar, universal fixing	PBK	Each
HAB2-1200-UF-SSS	1200mm 'T' bar, universal fixing	SSS	Each
HAB2-1200-UF-PBK	1200mm, 'T' bar, universal fixing	PBK	Each
HAB2-1500-UF-SSS	1500mm, 'T' bar, universal fixing	SSS	Each
HAB2-1800-UF-SSS	1800mm, 'T' bar, universal fixing	SSS	Each

Side Profile

Top Profile



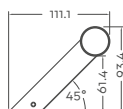
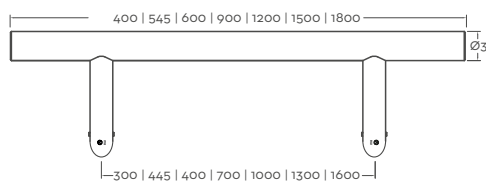
BLU™ Offset Round 'T' Bar Pull Handle

- 316 Marine Grade Stainless Steel, 32mm diameter round bar.
- Offset stems.
- PBK finish has been successfully salt spray tested to 1000 hours, test: ASTM B117-2019.

PART NUMBER	PRODUCT DESCRIPTION	FINISH	UNITS
HAB6-400-UF-SSS	400mm Offset round, universal fixing	SSS	Each
HAB6-545-UF-SSS	545mm Offset round, universal fixing	SSS	Each
HAB6-600-UF-SSS	600mm Offset round, universal fixing	SSS	Each
HAB6-900-UF-SSS	900mm Offset round, universal fixing	SSS	Each
HAB6-900-UF-PBK	900mm, Offset round, universal fixing	PBK	Each
HAB6-1200-UF-SSS	1200mm Offset round, universal fixing	SSS	Each
HAB6-1200-UF-PBK	1200mm, Offset round, universal fixing	PBK	Each
HAB6-1500-UF-SSS	1500mm Offset round, universal fixing	SSS	Each
HAB6-1800-UF-SSS	1800mm, Offset round, universal fixing	SSS	Each

Side Profile

Top Profile



Visit www.coastal-group.com for CAD drawings

REMEMBER

To order your fixing packs - see page 32.

You may also need:

- Euro Cylinders - page 37
- Multipoint Locks - page 60
- Escutcheons - page 121



BLU™ Inline Rectangular 'T' Bar Pull Handle

- 316 Marine Grade Stainless Steel, 40 x 20mm Rectangular Bar.
- Inline stems.
- PBK finish has been successfully salt spray tested to 1000 hours, test: ASTM B117-2019.

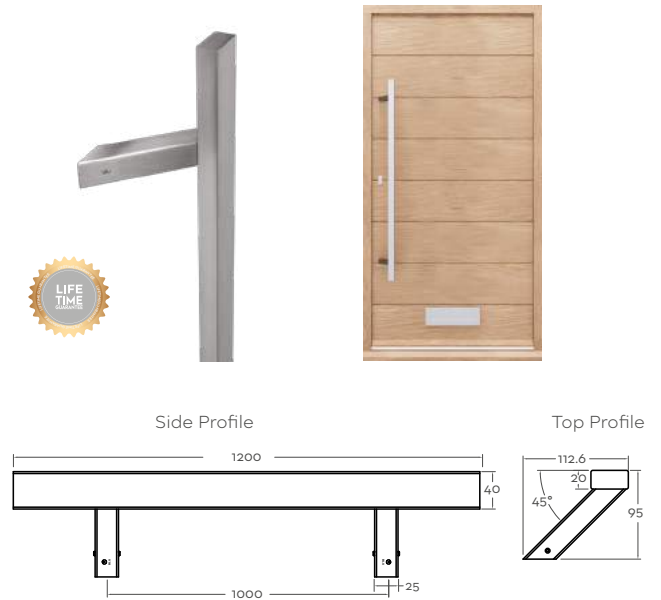
PART NUMBER	PRODUCT DESCRIPTION	FINISH	UNITS
HAB15-400-UF-SSS	400mm Rectangular 'T' bar, universal fixing	SSS	Each
HAB15-900-UF-SSS	900mm Rectangular 'T' bar, universal fixing	SSS	Each
HAB15-900-UF-PBK	900mm Rectangular 'T' bar, universal fixing	PBK	Each
HAB15-1200-UF-SSS	1200mm Rectangular 'T' bar, universal fixing	SSS	Each
HAB15-1200-UF-PBK	1200mm Rectangular 'T' bar, universal fixing	PBK	Each
HAB15-1500-UF-SSS	1500mm Rectangular 'T' bar, universal fixing	SSS	Each
HAB15-1800-UF-SSS	1800mm Rectangular 'T' bar, universal fixing	SSS	Each



BLU™ Offset Rectangular 'T' Bar Pull Handle

- 316 Marine Grade Stainless Steel, 40 x 20mm Rectangular Bar.
- Offset stems.

PART NUMBER	PRODUCT DESCRIPTION	FINISH	UNITS
HAB7-1200-UF-SSS	1200mm Offset rectangular, universal fixing	SSS	Each



BLU™ Square Mitre Pull Handle

- 316 Marine Grade Stainless Steel, 30 x 30mm Square Bar.
- Inline stems.

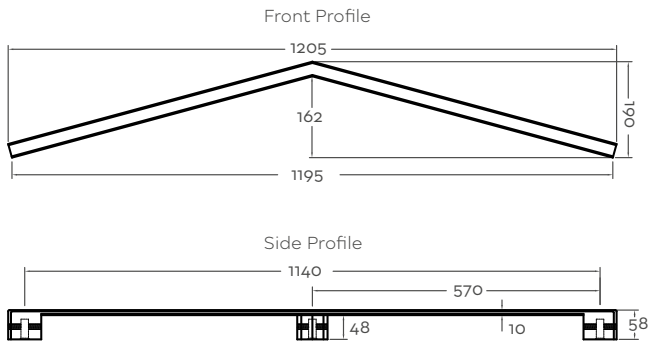
PART NUMBER	PRODUCT DESCRIPTION	FINISH	UNITS
HAB4-900-UF-SSS	900mm, Square mitre, universal fix	SSS	Each
HAB4-1200-UF-SSS	1200mm Square mitre, universal fix	SSS	Each



REMEMBER

To order your fixing packs - see page 32.

PART NUMBER	PRODUCT DESCRIPTION	FINISH	UNITS
HAB9-1200-UF-SSS	1200mm Flat 'V' bar, universal fixing	SSS	Each

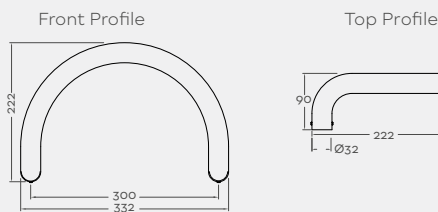


BLU™ 'V' Style Pull Handle

- Solid 316 Marine Grade Stainless Steel, 30 x 10mm 'V' Shape Flat Bar.
- Inline stems.



PART NUMBER	PRODUCT DESCRIPTION	FINISH	UNITS
HAB20-300-UF-SSS	332mm X 32mm 'D' Commercial, universal fixing	SSS	Each

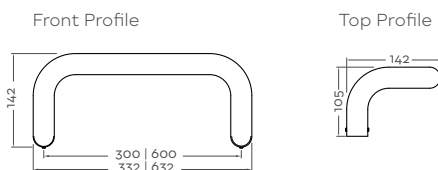


BLU™ 'D' Style Commercial Pull Handle

- 316 stainless steel, 32mm 'D' Shape Round Bar.
- Suitable for commercial applications.



PART NUMBER	PRODUCT DESCRIPTION	FINISH	UNITS
HAB21-300-UF-SSS	300mm Offset 'D', universal fixing	SSS	Each
HAB21-600-UF-SSS	600mm Offset 'D', universal fixing	SSS	Each

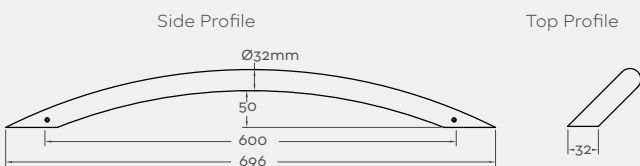


BLU™ Offset 'D' Commercial Pull Handle

- 316 Marine Grade Stainless Steel, 32mm Diameter 'D' Shape Round Bar.
- Offset stems.
- Suitable for commercial applications.

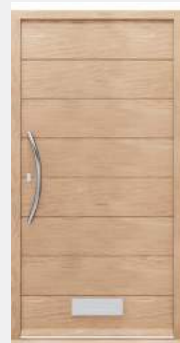


PART NUMBER	PRODUCT DESCRIPTION	FINISH	UNITS
HAB8-600-UF-SSS	600mm Bow, universal fixing	SSS	Each



BLU™ Bow Pull Handle

- 316 Marine Grade Stainless Steel, 32mm Diameter Round Bar Bow Shape.



REMEMBER

To order your fixing packs - see page 32.

Pull Handle Fixing Methods

Pull handles are supplied as single units.

Remember when ordering your Pull Handles to also order the correct fixing pack required, and for back to back applications to order two handles.

Back to Back

(Handle on inside and outside of door)



Secret Fix - Timber

(No visible fixing on inside of door)



Bolt Fix

(Bolt through from inside of door)



PART NUMBER	PRODUCT DESCRIPTION	FINISH	UNITS
FX-UF-FK-BB	Back to back fixing kit for Universal Fix products - door thickness up to 85mm	USS	Each
FX-UF-FK-BF-SSS	Bolt fix fixing kit for Universal Fix products - door thickness up to 80mm	SSS	Each
FX-UF-FK-BF-PBK	Bolt fix fixing kit for Universal Fix products - door thickness up to 80mm	PBK	Each
FX-UF-FK-SF	Secret fix fixing kit for Universal Fix products - for timber doors	USS	Each



STRAIGHT SLIDE DOOR HANDLES

- Contemporary, high quality straight sliding door handle kits.
- Suitable for use with even the largest, heaviest inline straight sliders.
- Manufactured from 316 Marine Grade Stainless Steel for extra durability.
- Ideal for use where corrosion levels are high such as coastal environments and with acidic timber.
- Part of a suited range of door and window hardware.



BLU™

KM9 Series

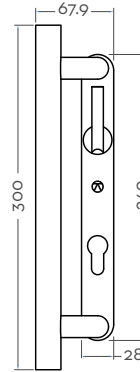
Patio Slide Door Handle



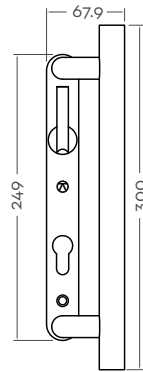
- Durability tested to BS EN 1906 and BS 8424.
- Solid backplate for additional strength.
- Compatible with Sobinco Penta and Yale locking systems.
- Non-handed design.
- Easy-to-operate latch.
- Various different handle configurations available.



External Handle

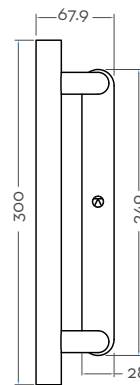


Internal Handle

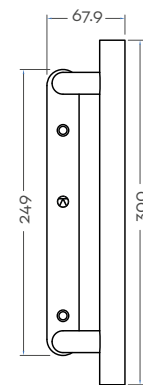


Euro Cut-out

External Handle



Internal Handle



Blank Plate

Handle can be detached from backplate via fixings on the back of the backplate to change the handing if needed.



KM905



KM920



KM950

PART NUMBER	PRODUCT DESCRIPTION	FINISH	UNITS
KM905-SSS	Back-to-back blank plate handles	SSS	Set
KM920-SSS	Back-to-back lever & euro cut-out handles	SSS	Set
KM950-SSS	Internal lever & euro cut-out handle and external blank plate handle	SSS	Set

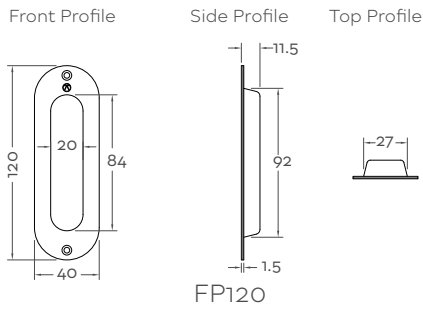
Yale Paddock Lockmaster

6 hook lock points

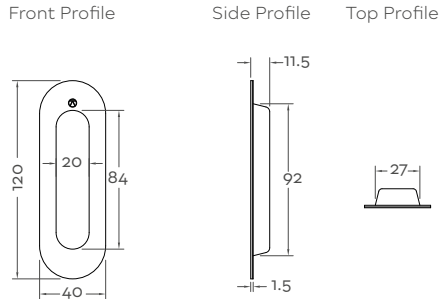
YLM-20-USS

YLM-HK-USS





FP120



FP150

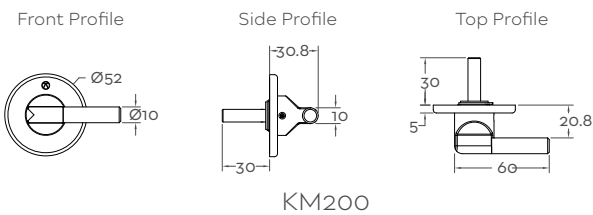
BLU™ Radiused End Door Flush Pulls



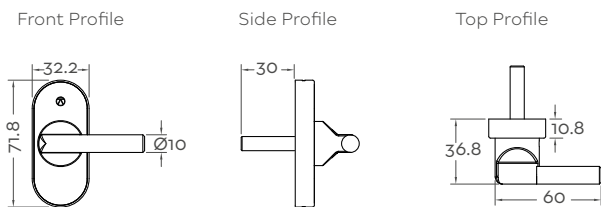
- Flush pull for straight sliding and folding sliding doors.
- Manufactured from 316 Marine Grade Stainless Steel.
- Ideal for use where corrosion levels are high such as coastal environments and with acidic timber.
- Part of a suited range of door and window hardware.



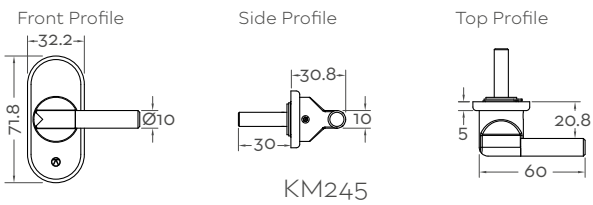
PART NUMBER	PRODUCT DESCRIPTION	FINISH	UNITS
FP120-SSS	120 x 40mm screw fix	SSS	Each
FP150-SSS	120 x 40mm glue fix	SSS	Each



KM200



KM250



KM245

Patio Thumbturn



- Ideal for instances where you simply need a small lever to operate the latch on your patio door.
- Can be used back-to-back with a longer spindle.
- Clip-on cover conceals fixings.
- Manufactured from 316 Marine Grade Stainless Steel.
- EUIPO Protected Registered Design accreditation on KM250.

Note: These are not suitable for the YALE locking system as this uses a 7 x 7mm spindle



PART NUMBER	PRODUCT DESCRIPTION	FINISH	UNITS
KM200-SSS	Mini lever on round rose	SSS	Each
KM250-SSS	Mini lever on oval rose	SSS	Each
KM245-SSS	Mini lever on slimline oval rose	SSS	Each

Visit www.coastal-group.com for CAD drawings

BLU™

KM7 Series

Lift & Slide Door Handle

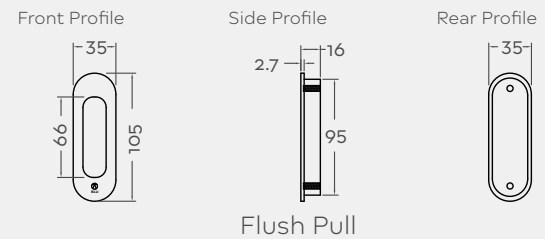
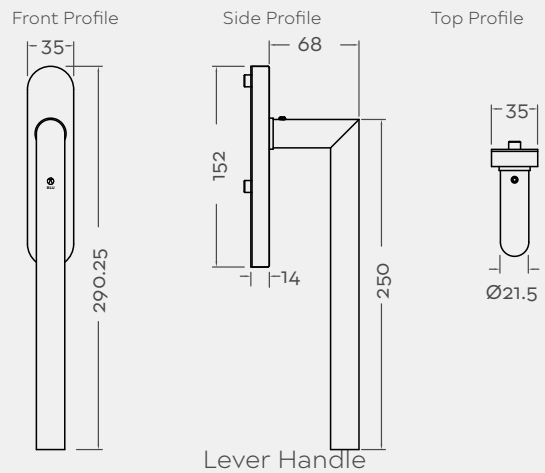


- Contemporary, high quality handle designed to operate lift and slide doors.
- Available in different handle configurations.
- Unique 2-stage click action for superior operation.
- Clip-on cover conceals fixings.
- Manufactured from 316 Marine Grade Stainless Steel for extra durability.
- Ideal for use where corrosion levels are high such as coastal environments and with acidic timber.
- Part of a suited range of door and window hardware.

NOTE: If only fitting the internal lever handle then the KM7560-RN-SV rivet nut inserts are required (often used for instances where the sliding door leaves overlap like on Scheme E and Scheme L.



PART NUMBER	PRODUCT DESCRIPTION	FINISH	UNITS
KM750-SSS	Internal lever & Euro cut-out faceplate, external flush pull	SSS	Set
KM760-SSS	Internal lever & blank faceplate, external flush pull	SSS	Set
KM780-SSS	Back-to-back lever handle & Euro cut-out faceplate	SSS	Set
KM790-SSS	Back-to-back lever handle & blank faceplate	SSS	Set
KM7560-RN-SV	KM750/KM760 lift & slide handle rivet nut inserts	SV	Each



Visit www.coastal-group.com for CAD drawings

Lift & Slide Curve2 Design Lever Handle

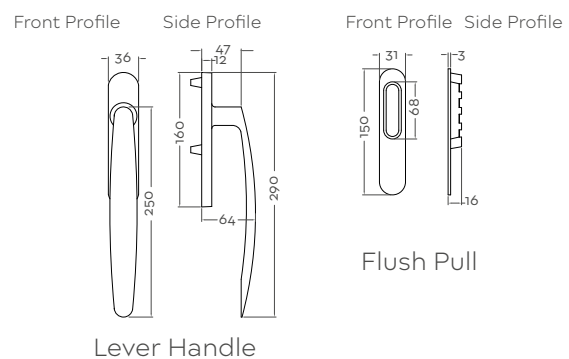
- Stylish modern design lift and slide handle.
- Set includes an internal lever handle and an external flush pull.
- Manufactured from solid brass.

NOTE:

- If a lever handle is required internally and externally (back-to-back fix) then order two handle sets plus a LS1120-BBFX fixing kit.
- If only fitting the internal lever handle then the LS1120-RN-SB rivet nut inserts are required (often used for instances where the sliding door leaves overlap like on Scheme E and Scheme L.



PART NUMBER	PRODUCT DESCRIPTION	FINISH	UNITS
LS1120Y-SC	Internal lever & external flush pull	SC	Set
LS1120Y-PC		PC	Set
LS1120Y-BP		BP	Set
LS1120Y-DBZ		DBZ	Set
LS1120-RN-SB	LS1120Y Lift & Slide handle rivet nut inserts	SB	Each





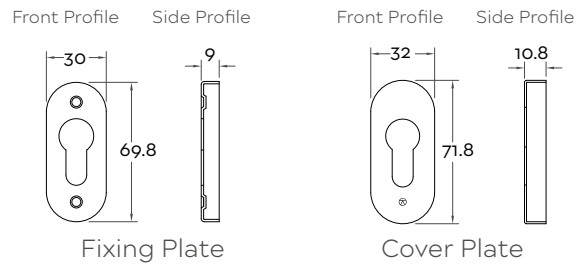
ESCUTCHEONS & CYLINDER PULLS

BLU™ Oval Euro Escutcheon

- Ideal for use on narrow frame profiles.
- Fixings concealed behind clip-on cover.
- Manufactured from 316 Marine Grade Stainless Steel for extra durability.
- Part of a suited range.
- PBK finish has been successfully salt spray tested to 1000 hours, test: ASTM B117:2019.



PART NUMBER	PRODUCT DESCRIPTION	FINISH	UNITS
KM045-SSS	Oval euro profile escutcheon	SSS	Each
KM045-PSS		PSS	Each
KM045-PBK		PBK	Each

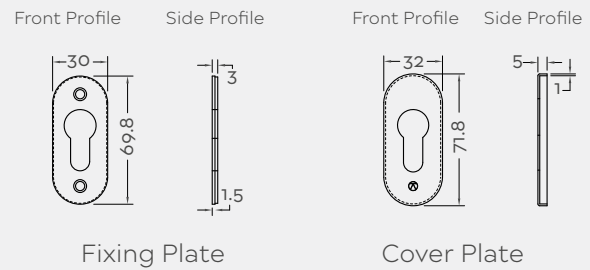


BLU™ Slimline Oval Euro Escutcheon

- Ideal for use on narrow frame profiles.
- Manufactured from 316 Marine Grade Stainless Steel for extra durability.
- Part of a suited range.
- Fixings concealed behind clip-on cover.



PART NUMBER	PRODUCT DESCRIPTION	FINISH	UNITS
KM945-SSS	Slimline oval euro profile escutcheon	SSS	Each

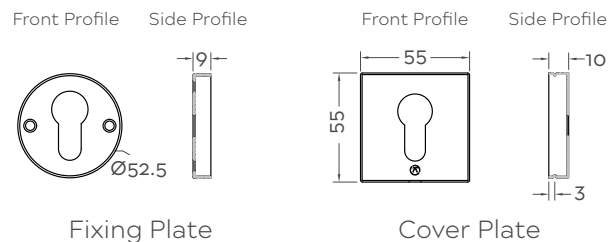


BLU™ Square Euro Escutcheon

- Suits well with our Square and Rectangular Pull Handle range.
- Manufactured from 316 Marine Grade Stainless Steel for extra durability.
- Part of a suited range.
- Fixings concealed behind clip-on cover.



PART NUMBER	PRODUCT DESCRIPTION	FINISH	UNITS
KM056-SSS	Square euro profile escutcheon	SSS	Each

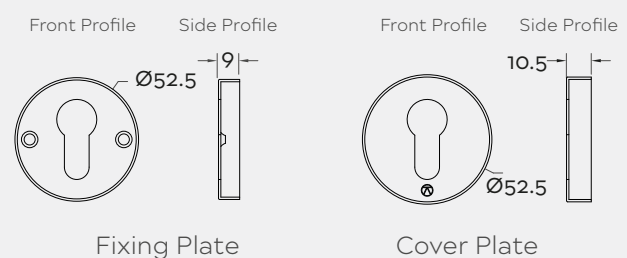


BLU™ Round Euro Escutcheon

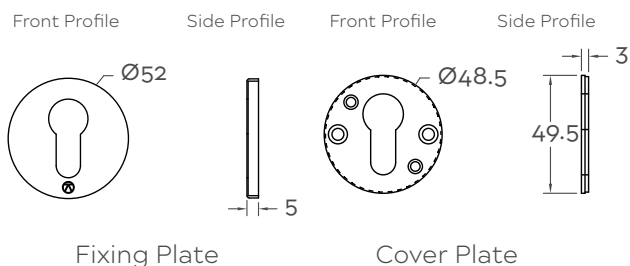
- Manufactured from 316 Marine Grade Stainless Steel for extra durability.
- Part of a suited range.
- Fixings concealed behind clip-on cover.
- PBK finish has been successfully salt spray tested to 1000 hours, test: ASTM B117:2019.



PART NUMBER	PRODUCT DESCRIPTION	FINISH	UNITS
KM055-SSS	Round euro profile escutcheon	SSS	Each
KM055-PSS		PSS	Each
KM055-PSB		PSB	Each
KM055-PPB		PPB	Each
KM055-PBK		PBK	Each



PART NUMBER	PRODUCT DESCRIPTION	FINISH	UNITS
SE35-SSS	BLU™ Slimline round euro profile escutcheon	SSS	Each
SE35-TMB	DURATIQUE black antique slimline escutcheon - euro	TMB	Each



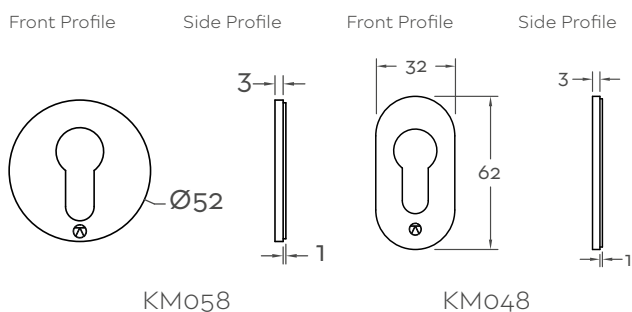
Visit www.coastal-group.com for CAD drawings

Slimline Round Euro Escutcheon

- Fixings concealed behind clip-on cover.
- Manufactured from 316 Marine Grade Stainless Steel for extra durability.
- Ideal for use where corrosion levels are high such as coastal environments and with acidic timber.
- Part of a suited range of door and window hardware.
- TMB finish has been successfully salt spray tested to Class 5.



PART NUMBER	PRODUCT DESCRIPTION	FINISH	UNITS
KM048-SSS	Self-adhesive oval escutcheon	SSS	Each
KM058-SSS	Self-adhesive round escutcheon	SSS	Each

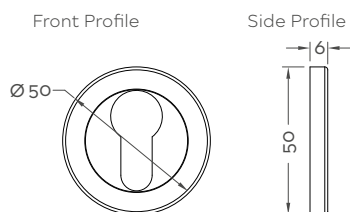


BLU™ Self-Adhesive Euro Escutcheon

- Manufactured from 316 Marine Grade Stainless Steel for extra durability.
- A very thin profile which can be rebated into the door for a flush finish.
- Self-adhesive, weatherproof, invisible fixing method.



PART NUMBER	PRODUCT DESCRIPTION	FINISH	UNITS
CM102-SSS	50x6mm escutcheon - euro profile	SSS	Each

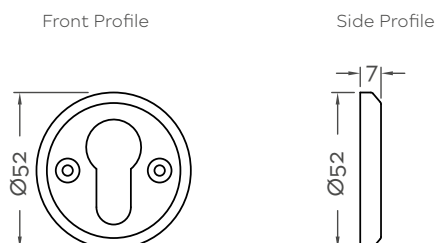


CoMarine Euro Escutcheon

- Fixings concealed behind screw-on cover.
- Fire door rated.
- Manufactured from 316 Marine Grade Stainless Steel.



PART NUMBER	PRODUCT DESCRIPTION	FINISH	UNITS
BA5539-BA	52mm Escutcheon - Euro	BA	Each



Antique Euro Profile Round Escutcheon

- Suitable for euro profile cylinders.
- Made from malleable iron base material.
- Not suitable for use on or near the coast.



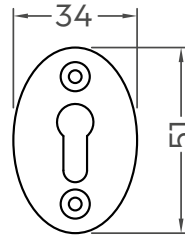
Antique Key Hole Oval Escutcheon

- Standard keyhole profile suitable for 5 lever lock.
- Made from malleable iron base material.
- Not suitable for use on or near the coast.

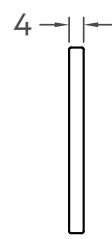


PART NUMBER	PRODUCT DESCRIPTION	FINISH	UNITS
BA5539U-BA	51 x 34mm Escutcheon - Key hole	BA	Each

Front Profile

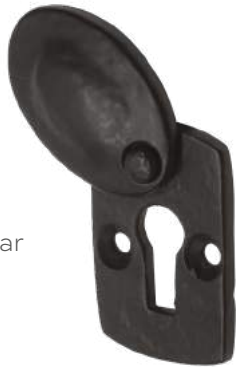


Side Profile



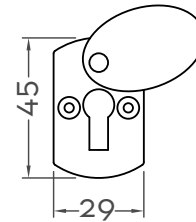
Antique Covered Plaque Rectangle Escutcheon

- Standard keyhole profile suitable for 5 lever lock.
- Domed oval cover swivels at the top.
- Made from malleable iron base material.
- Not suitable for use on or near the coast.

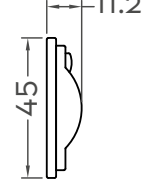


PART NUMBER	PRODUCT DESCRIPTION	FINISH	UNITS
BA5538-BA	45 x 29mm Escutcheon - Key hole	BA	Each

Front Profile



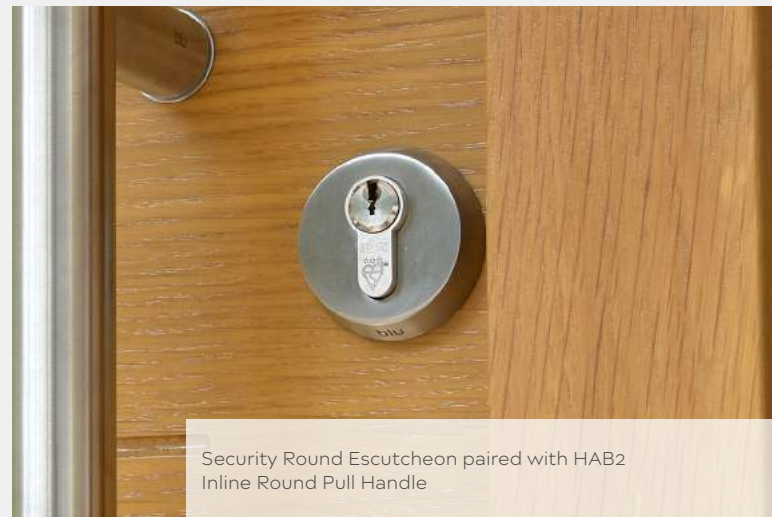
Side Profile



BLU™ Euro Internal Cylinder Pull with External Security Escutcheon

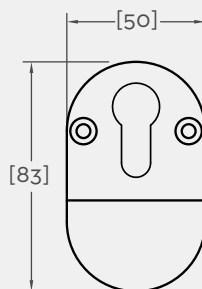


- High security, heavy duty escutcheon on the outside combined with a quality euro cylinder pull on the inside.
- Bevelled, anti-drill exterior escutcheon greatly increases the security of your door by helping to resist a snap attack on the euro cylinder.
- Manufactured from 316 Marine Grade Stainless Steel for extra durability.
- Bolt-through fixings from the inside to prevent removal from the outside.
- Ideal for use when a pull handle is used on the outside only.
- Suits up to 70mm thick doors.



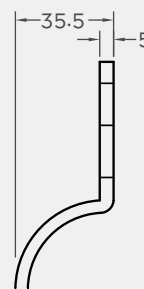
Security Round Escutcheon paired with HAB2 Inline Round Pull Handle

Front Profile

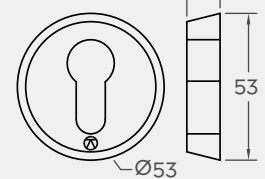


Internal

Side Profile



Front Profile



External

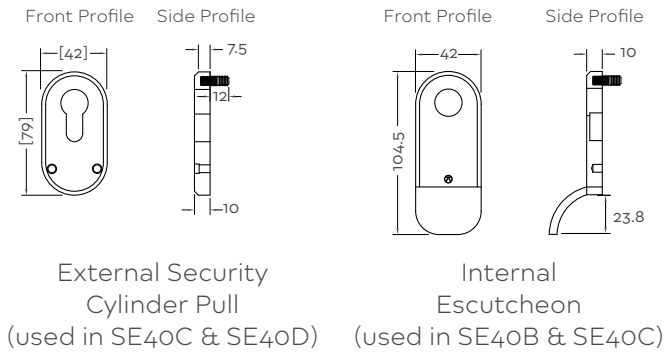
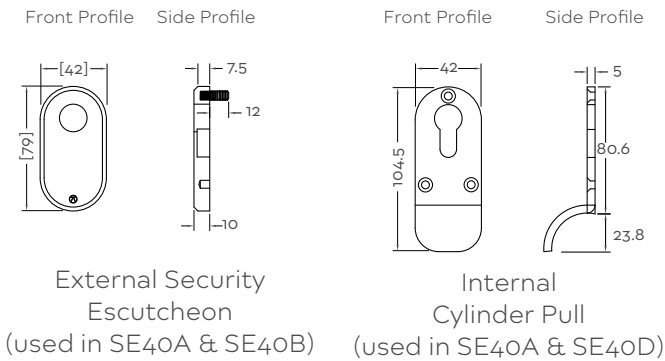
PART NUMBER	PRODUCT DESCRIPTION	FINISH	UNITS
CP80-SSS	Internal cylinder pull with external security escutcheon	SSS	Set



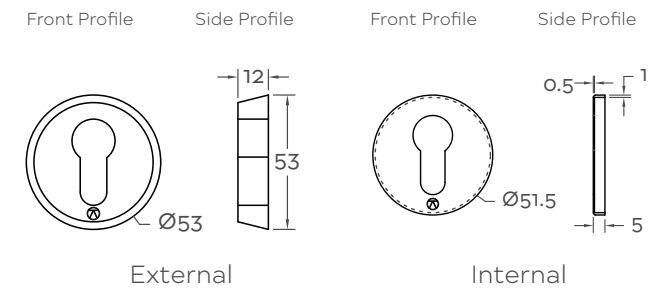
BLU™ Euro Security Escutcheon & Cylinder Pull Sets



- Escutcheon & cylinder pull sets designed with security in mind.
- Unique narrow profile designed for doors with a wide frame rebate.
- Successfully used in a PAS24 Security Test.
- High security external escutcheon or cylinder pull is designed to protect your euro cylinder from drilling or a snap attack.
- Manufactured from 316 Marine Grade Stainless Steel for extra durability.
- Suits up to 44mm thick doors, please contact us if your door is thicker.



PART NUMBER	PRODUCT DESCRIPTION	FINISH	UNITS
SE40A-SSS	Ext. security escutcheon/ Internal cylinder pull	SSS	Set
SE40B-SSS	Ext. security escutcheon/ Internal escutcheon	SSS	Set
SE40C-SSS	Ext. security cylinder pull/ Internal escutcheon	SSS	Set
SE40D-SSS	Ext. security cylinder pull/ Internal cylinder pull	SSS	Set



BLU™ Security Euro Escutcheon



- Bevelled, anti-drill exterior escutcheon greatly increases the security of your door by helping to resist a snap attack on the euro cylinder.
- Manufactured from 316 Marine Grade Stainless Steel for extra durability.
- Bolt-through fixings from the inside to prevent removal from the outside.
- Suits up to 57mm thick doors, please contact us if your door is thicker.



PART NUMBER	PRODUCT DESCRIPTION	FINISH	UNITS
SE38-SSS	Back-to-back security escutcheon	SSS	Set

Visit www.coastal-group.com for CAD drawings

View our range of
1 Star & 3 Star Euro
Cylinders



See page 121

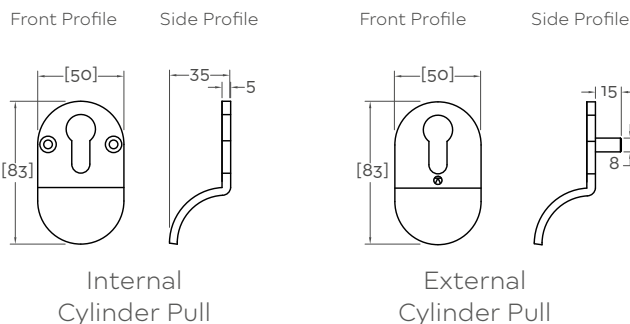
BLU™ Contemporary Euro Cylinder Pull



- Manufactured from 316 Marine Grade Stainless Steel for extra durability.
- Bolt through fixings from the inside help prevent removal of the external cylinder pull.
- CP50 suits up to 75mm thick doors.
- CP53 suits up to 44mm thick doors.



PART NUMBER	PRODUCT DESCRIPTION	FINISH	UNITS
CP50-SSS	Back to back euro cylinder pull, suits up to 75mm thick doors	SSS	Set
CP50-PSS		PSS	Set
CP53-SSS	Back to back euro cylinder pull, suits up to 44mm thick doors	SSS	Set



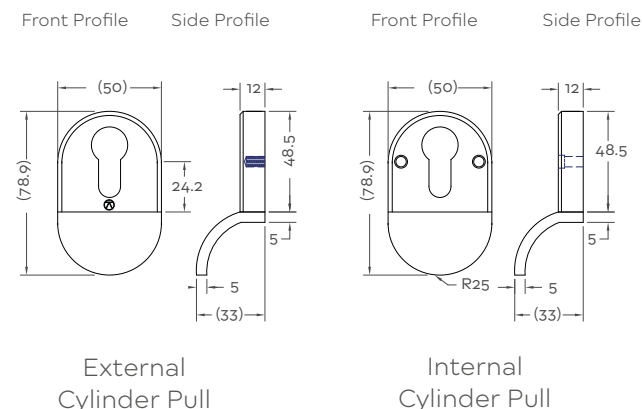
BLU™ Contemporary Euro Cylinder Pull - Thicker Backplate



- 12mm thick backplate to accommodate standard cylinder sizes.
- Robust contemporary design.
- Bolt through fixings from the inside help prevent removal of the external cylinder pull.
- Ideal for use where corrosion levels are high such as coastal environments and with acidic timber.
- Manufactured from 316 Marine Grade Stainless Steel for extra durability.
- Part of a suited range of window hardware
- To suit doors up to 50mm thick, - extension kit is available: FX-392 bolt received & FX-391 threaded bar.



PART NUMBER	PRODUCT DESCRIPTION	FINISH	UNITS
CP76-SSS	Contemporary euro cylinder pull - thicker backplate	SSS	Set
CP76-PSS		PSS	Set
CP76-PPB		PPB	Set
CP76-PBK		PBK	Set



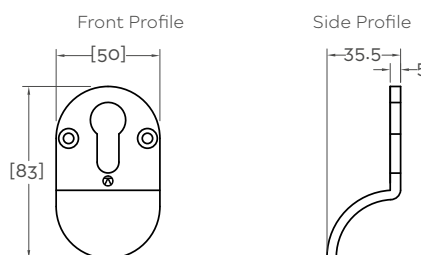
BLU™ Contemporary Euro Cylinder Pull - Inside Pull only



- Single pull designed for use on the inside of the door.
- Manufactured from 316 Marine Grade Stainless Steel for extra durability.



PART NUMBER	PRODUCT DESCRIPTION	FINISH	UNITS
CP55-SSS	Inside only euro cylinder pull	SSS	Each



Visit www.coastal-group.com for CAD drawings



BLU™

CP30 Classic Cylinder Pull shown in Satin Stainless Steel finish



DURATIQUE™

CP30 Black Antique Cylinder Pull shown in Textured Matt Black finish

Classic Euro Cylinder Pull

- Back-to-Back fixing method makes it difficult for the cylinder pull fitted on the exterior of the door to be removed.
- Manufactured from 316 Marine Grade Stainless Steel for extra durability.
- Ideal for use where corrosion levels are high such as coastal environments and with acidic timber.
- Part of a suited range of door and window hardware.
- PBK finish has been successfully salt spray tested to 1000 hours, test: ASTM B117:2019.
- TMB finish had been successfully salt spray tested to Class 5.
- Suitable for door thickness up to 60mm, please contact us if your door is thicker.

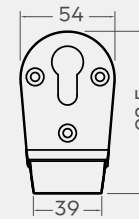


BLU™

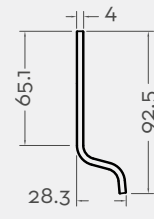


DURATIQUE™

Front Profile

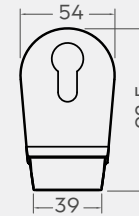


Side Profile

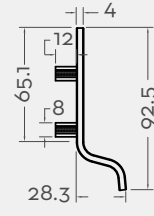


Internal Cylinder Pull

Front Profile



Side Profile



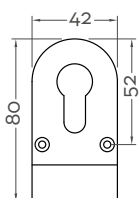
External Cylinder Pull

PART NUMBER	PRODUCT DESCRIPTION	FINISH	UNITS
CP30-SSS	BLU Back to back euro cylinder pull	SSS	Set
CP30-PSS		PSS	Set
CP30-PSB		PSB	Set
CP30-PPB		PPB	Set
CP30-PBK		PBK	Set
CP30-ORB*		ORB	Set
CP30-TMB*	DURATIQUE Black Antique Back to back euro cylinder pull	TMB	Set

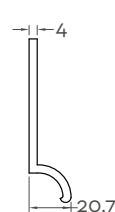
* ORB and TMB are powder coated finishes

PART NUMBER	PRODUCT DESCRIPTION	FINISH	UNITS
CP42-SC	85 x 43mm Classic Euro Cylinder Pull - Single Pull	SC	Each
CP42-PC		PC	Each
CP42-BP		BP	

Front Profile



Side Profile

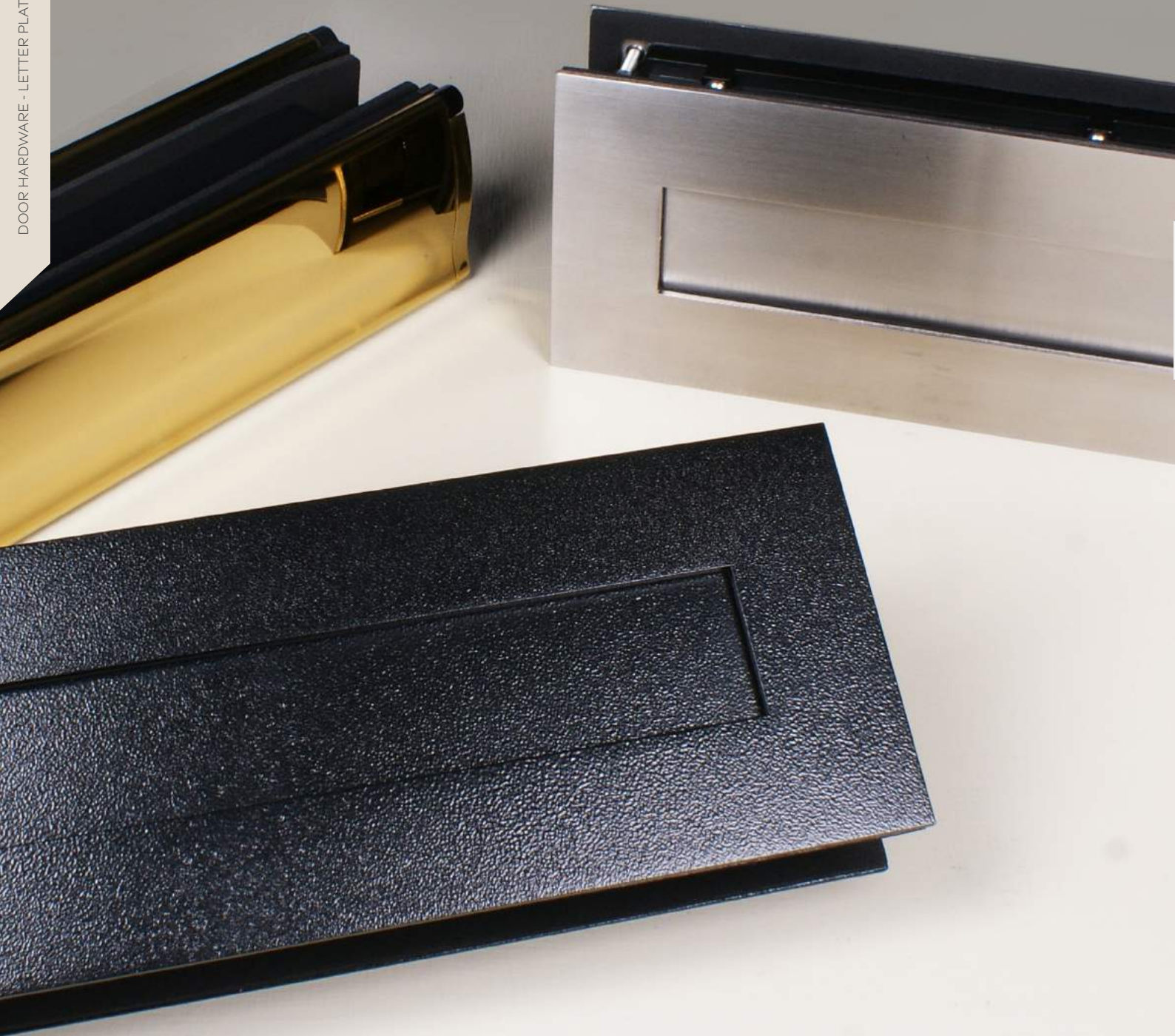


Visit www.coastal-group.com for CAD drawings

Classic Euro Cylinder Pull - Single Pull

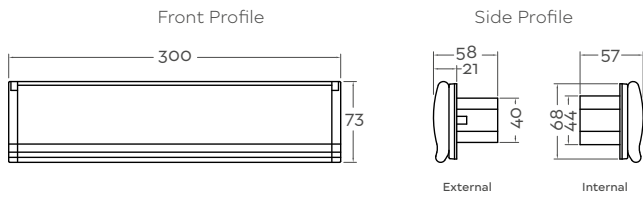
- Manufactured from solid brass.
- Single pull designed for use on the inside of the door.





LETTER PLATES

PART NUMBER	PRODUCT DESCRIPTION	FINISH	UNITS
JR380-SSS	Sleeved letter plate to suit 44 - 68mm thick doors	SSS	Set
JR380-PSS		PSS	Set
JR380-PPB		PPB	Set



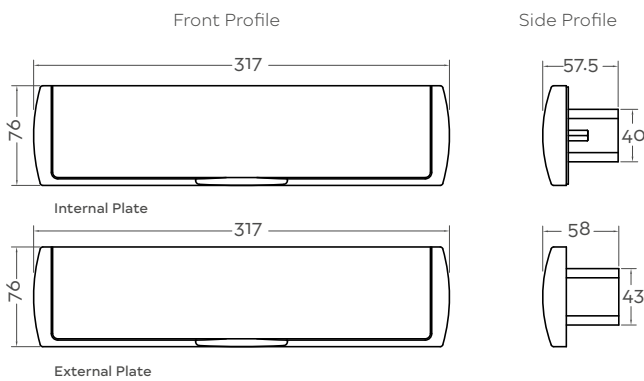
Suited Jigsaw™ Lever Door Handle
See page 21

Jigsaw™ Sleeved Letter Plate

- Sleeved contemporary style letter plate set.
- Integral gaskets, brushes and telescopic liner for enhanced weather and draught protection.
- Back-to-back construction for strength.
- Manufactured from a base material of 304 Stainless Steel.

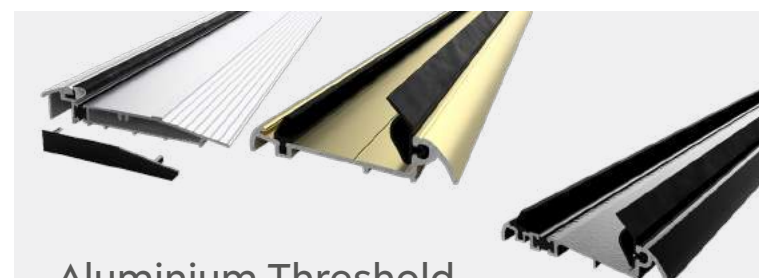


PART NUMBER	PRODUCT DESCRIPTION	FINISH	UNITS
LP310-BK	Sleeved letter plate to suit 40 - 75mm thick doors	BK	Set



Pro Style Sleeved Letter Plate

- Sleeved contemporary style letter plate set.
- Combination of external foam and internal nylon brushes provide weathersealing.
- Independantly tested to 50,000 cycles for operational reliability.
- Internal and external flaps open to 180 degrees.
- Manufactured from zinc.



Aluminium Threshold

See page 135



LP400 - Available in 8 finishes



View LP400 Letter Plate vs standard letter plate and tidy comparison.



BLU™

LP400 Sleeved Letter Plate shown in Satin Stainless Steel finish



DURATIQUÉ™

LP400 Sleeved Letter Plate shown in Textured Matt Black finish

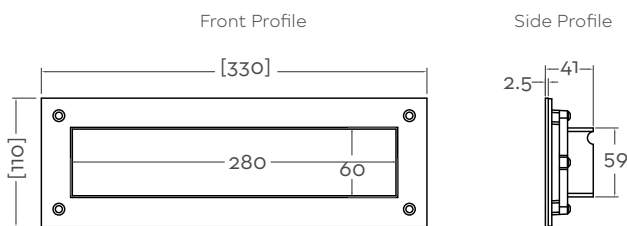
LP400 Sleeved Letter Plate

- High quality sleeved letter plate designed to suit both classic, heritage and contemporary style doors.
- Achieved 'Best in Class' BS6375-1 Weather Test results against air, wind and water.
- Integral gaskets, brushes and telescopic liner for enhanced weather and draught protection.
- Successfully used in a PAS24 Security Test.
- Built-in inner security flap to help prevent a 'fishing' attack.
- Enhanced design includes extra security retainer brackets to prevent bowing and/or prising off of letter plate.
- Designed and built in the UK to ensure consistency of quality.
- Manufactured from 316 Marine Grade Stainless Steel for extra durability.
- Ideal for use where corrosion levels are high such as coastal environments and with acidic timbers.
- Part of a suited range of door and window hardware.
- TMB finish had been successfully salt spray tested to Class 5.
- For doors between 68 - 88mm thick you'll also need a sleeve extender (CX-LP400-SE), threaded bar (FX-391-55-USS) and connector sleeve (FX-392-USS).

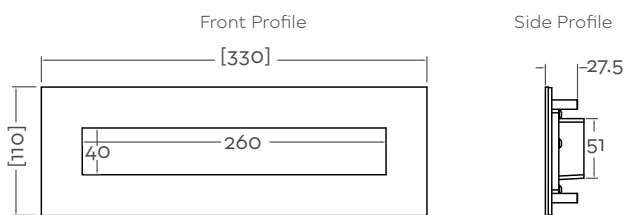


PART NUMBER	PRODUCT DESCRIPTION	FINISH	UNITS
LP400-SSS	BLU™ 316 Grade Stainless Steel - to suit door thickness up to 68mm	SSS	Each
LP400-PSS		PSS	Each
LP400-PSB		PSB	Each
LP400-PPB		PPB	Each
LP400-PBK		PBK	Each
LP400-MSB*		MSB	Each
LP400-ORB*		ORB	Each
LP400-TMB*		DURATIQUÉ Sleeved letter plate to suit door thickness up to 68mm	TMB

* ORB, MSB and TMB are powder coated finishes

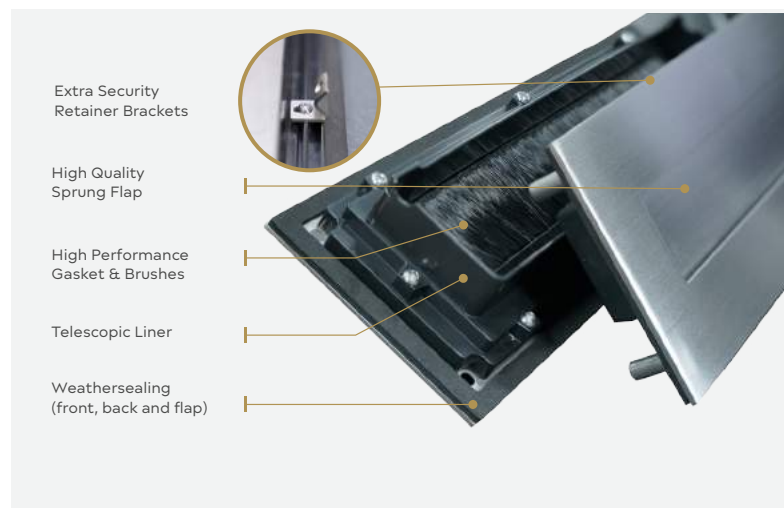


Internal Component



External Component

Visit www.coastal-group.com for CAD drawings





DOOR KNOCKERS & DOOR KNOBS



DURATIQUE™

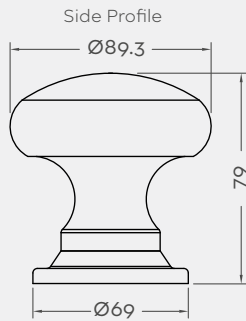
KM388 Centre Door Knob shown in Textured Matt Black finish



BLU™

KM388 Classic Centre Door Knob shown in Polished Stainless Steel finish

PART NUMBER	PRODUCT DESCRIPTION	FINISH	UNITS
KM388-SSS	BLU Centre door knob	SSS	Each
KM388-PSS		PSS	Each
KM388-PSB		PSB	Each
KM388-PPB		PPB	Each
KM388-PBK		PBK	Each
KM388-TMB		DURATIQUE Centre door knob	TMB



Centre Door Knob

- Fixed round classic centre door knob mounted on round rose.
- Manufactured from solid 316 Marine Grade Stainless Steel for extra durability.
- PBK finish has been successfully salt spray tested to 1000 hours, test: ASTM B117:2019.
- TMB finish had been successfully salt spray tested to Class 5.
- Supplied with secret fix and bolt-through fixing.
- 2 x KM388 can be fixed back-to-back.

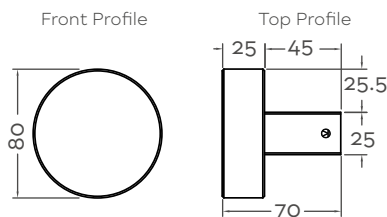


BLU™ Round Door Knob

- Fixed round door knob.
- Manufactured from solid 316 Marine Grade Stainless Steel for extra durability.
- Can be used as a back-to-back set - 2x KM150 will be required
- Appropriate fixing kit required.



PART NUMBER	PRODUCT DESCRIPTION	FINISH	UNITS
KM150-UF-SSS	Fixed round door knob	SSS	Each
KM150-UF-PBK		PBK	Each

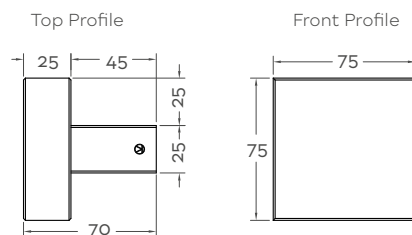


BLU™ Square Door Knob

- Fixed square door knob.
- Manufactured from solid 316 Marine Grade Stainless Steel for extra durability.
- Can be used as a back-to-back set - 2x KM120 will be required
- Appropriate fixing kit required.



PART NUMBER	PRODUCT DESCRIPTION	FINISH	UNITS
KM120-UF-SSS	Fixed square door knob	SSS	Each



KM120/KM150 FIXING KIT
Sold Separately

BOLT FIXING
FX-SNG-UF-FK-BF
SSS or PBK finish



BACK-TO-BACK FIXING
FX-SNG-UF-FK-BB



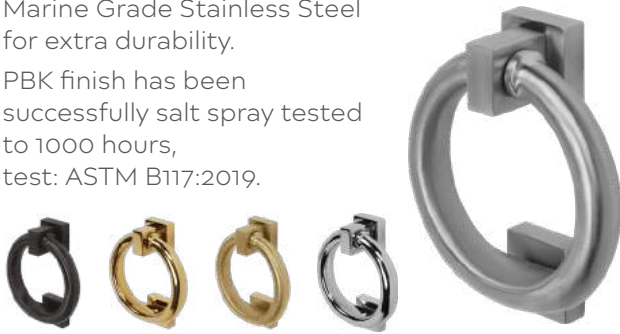
SECRET FIXING
FX-SNG-UF-FK-SF



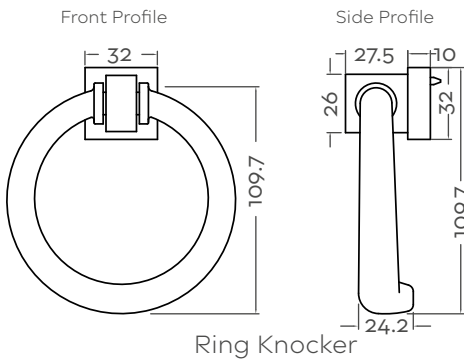


BLU™ Ring Door Knocker

- High quality classic ring door knocker and striker plate.
- Secret fix and bolt-through security fixings.
- Includes a location pin to help prevent unwanted spinning of the knocker.
- Manufactured from solid 316 Marine Grade Stainless Steel for extra durability.
- PBK finish has been successfully salt spray tested to 1000 hours, test: ASTM B117:2019.



PART NUMBER	PRODUCT DESCRIPTION	FINISH	UNITS
DKB200-SSS	Ring door knocker	SSS	Each
DKB200-PSS		PSS	Each
DKB200-PSB		PSB	Each
DKB200-PPB		PPB	Each
DKB200-PBK		PBK	Each



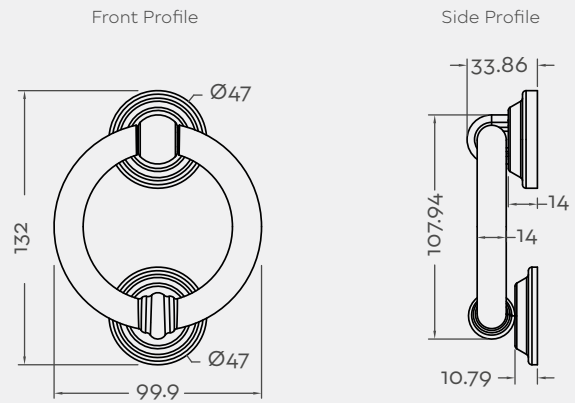
Visit www.coastal-group.com for CAD drawings

DURATIQUE™ Black Antique Door Knocker

- High quality traditional ring door knocker and striker plate.
- Bolt-through security fixings.
- Manufactured from a base material of stainless steel to prevent it from corroding.
- Successfully salt spray tested to Class 5.
- Part of a suited range of hardware.



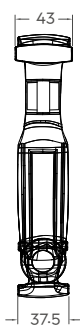
PART NUMBER	PRODUCT DESCRIPTION	FINISH	UNITS
DKB225-TMB	Ring door knocker	TMB	Each



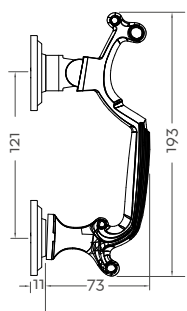


PART NUMBER	PRODUCT DESCRIPTION	FINISH	UNITS
DKB195-SSS	Doctor's front door knocker	SSS	Each
DKB195-PSS		PSS	Each
DKB195-PSB		PSB	Each
DKB195-PPB		PPB	Each
DKB195-PBK		PBK	Each

Side Profile



Front Profile



BLU™ Doctor's Front Door Knocker

- Doctor's front door knocker and strike plate.
- Secret fix and bolt-through security fixings.
- Manufactured from 316 Marine Grade Stainless Steel for extra durability.
- PBK finish has been successfully salt spray tested to 1000 hours, test: ASTM B117:2019.



PART NUMBER	PRODUCT DESCRIPTION	FINISH	UNITS
DKB155-SSS	Door knocker	SSS	Each

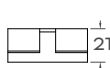
Front Profile



Side Profile



Top Profile



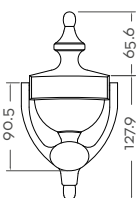
BLU™ Contemporary Door Knocker

- High quality contemporary door knocker and striker plate.
- Bolt-through security fixings.
- Manufactured from solid 316 Marine Grade Stainless Steel for extra durability.

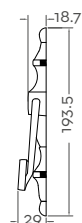


PART NUMBER	PRODUCT DESCRIPTION	FINISH	UNITS
DKB100-BP	Urn door knocker	BP	Each

Front Profile



Side Profile



URN Door Knocker

- Urn style front door knocker and strike plate.
- Manufactured from solid brass.



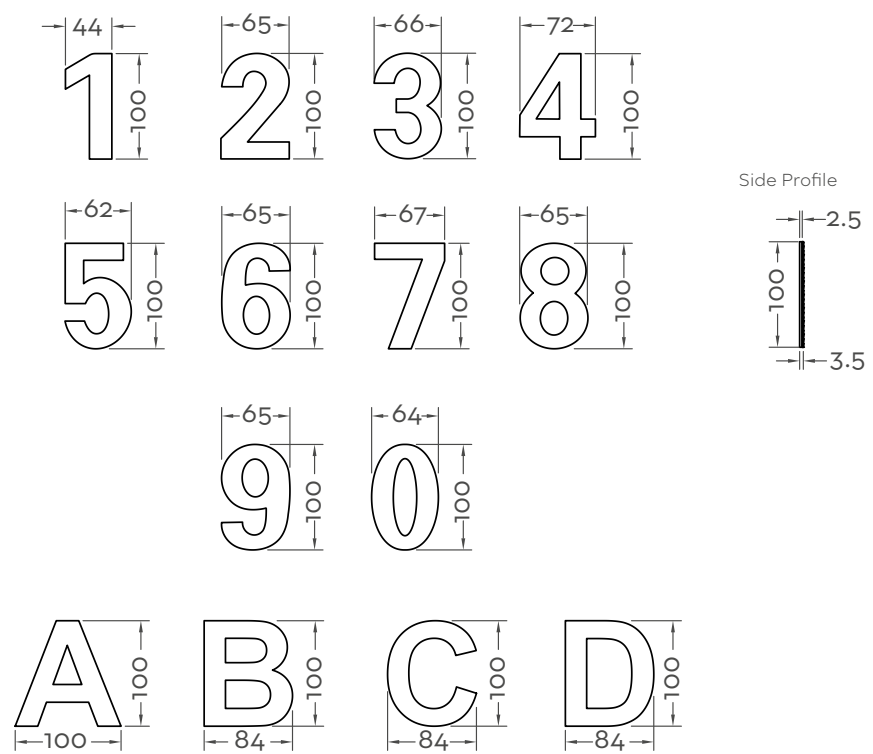
BLU™

Numerals and Letters



- Keep the aesthetics of your door furniture consistent.
- Contemporary style font.
- Weatherproof, self-adhesive, invisible fixing method, sticks to most surfaces.
- Quick and easy to install.
- Manufactured from 316 Marine Grade Stainless Steel for extra durability.
- Ideal for use where corrosion levels are high such as coastal environments and with acidic timber.
- Part of a suited range of door and window hardware.

PART NUMBER	PRODUCT DESCRIPTION	FINISH	UNITS
BLN0-SSS	Number 0 self-adhesive door numeral	SSS	Each
BLN1-SSS	Number 1 self-adhesive door numeral	SSS	Each
BLN2-SSS	Number 2 self-adhesive door numeral	SSS	Each
BLN3-SSS	Number 3 self-adhesive door numeral	SSS	Each
BLN4-SSS	Number 4 self-adhesive door numeral	SSS	Each
BLN5-SSS	Number 5 self-adhesive door numeral	SSS	Each
BLN6-SSS	Number 6 or 9 self-adhesive door numeral	SSS	Each
BLN7-SSS	Number 7 self-adhesive door numeral	SSS	Each
BLN8-SSS	Number 8 self-adhesive door numeral	SSS	Each
BLNA-SSS	Letter A self-adhesive door letter	SSS	Each
BLNB-SSS	Letter B self-adhesive door letter	SSS	Each
BLNC-SSS	Letter C self-adhesive door letter	SSS	Each
BLND-SSS	Letter D self-adhesive door letter	SSS	Each





DOOR HINGES & PIVOTS



Phosphor Bronze Washers

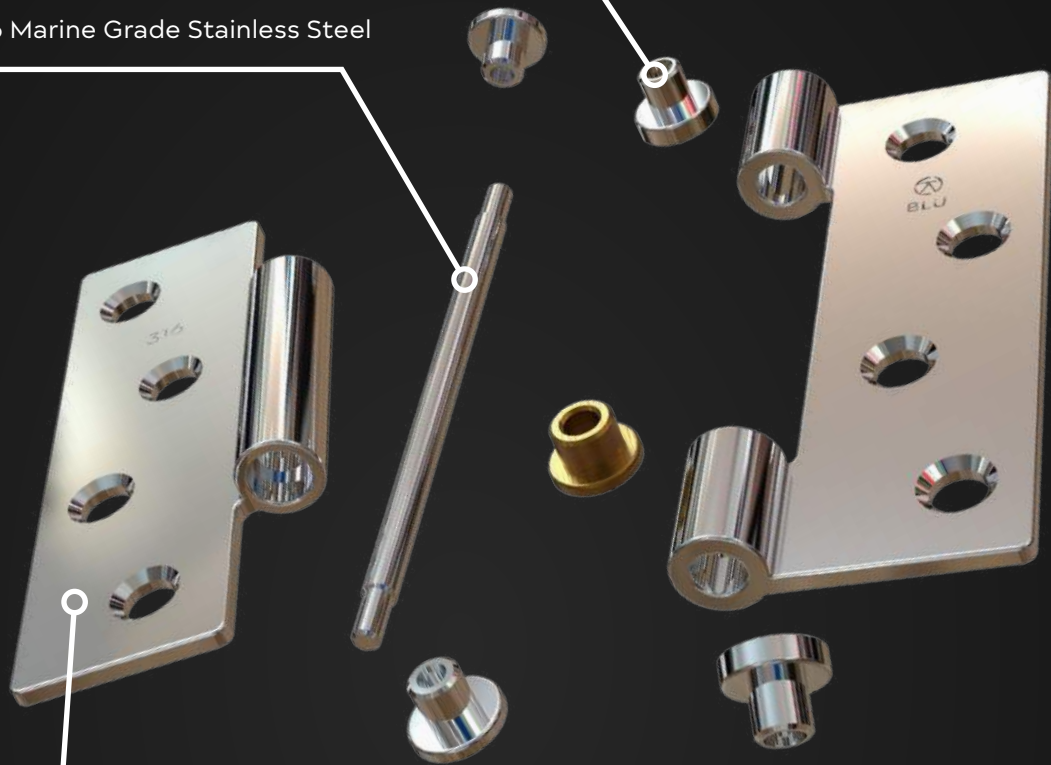
For longevity and smooth movement

Bushes

Solid 316 Marine Grade Stainless Steel

Hinge Pin

Solid 316 Marine Grade Stainless Steel



Hinge Leaf

Solid 316 Marine Grade Stainless Steel

Why the HQ4 is the best Butt Hinge for your external timber doors?

- It's knuckle style features the same design as used traditionally on hinges but with modern performance levels.
- It's designed specifically for external use with components made from 316 Marine Grade Stainless Steel to prevent corrosion issues.
- It's available in a market-leading range of 7 finishes and 3 types - Square, Radius & Projection.
- It's CNC precision engineered components ensure a smooth friction operation with zero leaf play.
- It can be easily adjusted using our Shimwell™ Hinge Packers.
- It has a very affordable lifetime value saving you from wasting time and money on expensive site callbacks.



View more
information

HQ4 Butt Hinge

- Clean lined, triple knuckle butt hinge with a 3mm gap.
- Manufactured from 316 Marine Grade Stainless Steel for extra durability.
- Ideal for use where corrosion levels are high such as coastal environments and with acidic timber.
- Successfully used on PAS24 tests without the need of a hinge dogbolt - due to the integral strength of the hinge.
- No leaf play ensures accurate and consistent fit.
- Durability tested to 120kg over 3 hinges - 200,000 cycles.
- Part of a suited range of door and window hardware.
- Works well with Shimwell™ Hinge Packer System.



Ideal for use with ACCOYA



BLU™ HQ4 Butt Hinge - Square Corner

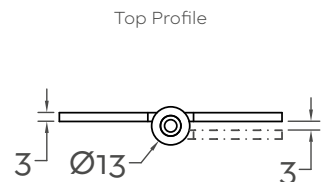
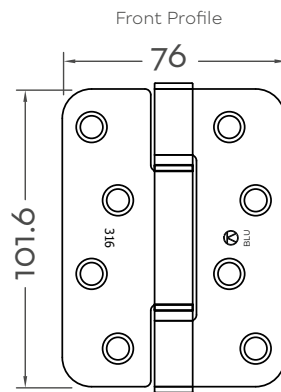
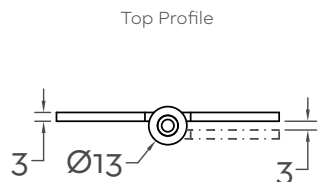
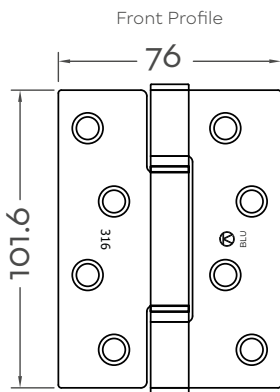


PART NUMBER	PRODUCT DESCRIPTION	FINISH	UNITS
HQ4-SSS	Butt hinge - square corner	SSS	Each
HQ4-PSS		PSS	Each
HQ4-PSB		PSB	Each
HQ4-PPB		PPB	Each
HQ4-MSB*		MSB	Each
HQ4-ORB*		ORB	Each
HQ4-WH*		WH	Each

BLU™ HQ4R Butt Hinge - Radius Corner



PART NUMBER	PRODUCT DESCRIPTION	FINISH	UNITS
HQ4R-SSS	Butt hinge - radius corner	SSS	Each
HQ4R-PSS		PSS	Each
HQ4R-PSB		PSB	Each
HQ4R-PPB		PPB	Each
HQ4R-MSB		MSB	Each
HQ4R-ORB		ORB	Each
HQ4R-WH		WH	Each



Shimwell™ Hinge Packer System - see page 57



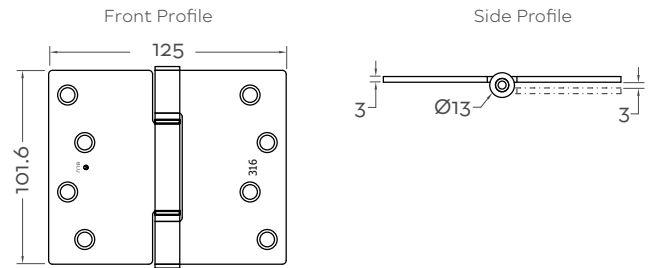
BLU™

Projection Hinge - Square Corner

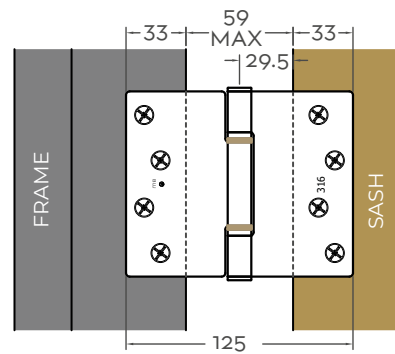
- Projects door away from frame when open helping to clear obstructions.
- Manufactured from 316 Marine Grade Stainless Steel for extra durability.
- Ideal for use where corrosion levels are high such as coastal environments and with acidic timber.
- Durability tested to 100,000 cycles on 160kg door over 3 hinges.
- PBK finish has been successfully salt spray tested to 1000 hours, test: ASTM B117:2019.
- Works well with Shimwell™ Hinge Packer System



PART NUMBER	PRODUCT DESCRIPTION	FINISH	UNITS
HQ45-SSS	Projection hinge - square corner	SSS	Each
HQ45-PSS		PSS	Each
HQ45-PSB		PSB	Each
HQ45-PPB		PPB	Each
HQ45-PBK		PBK	Each



HQ45 Projection Drawing



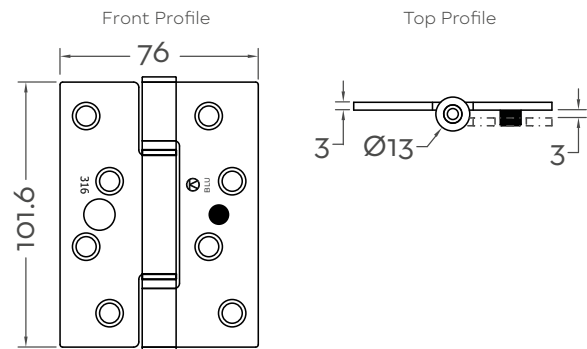
BLU™

Butt Hinge - Square Corner with Dogbolt

- Security dogbolt feature prevents removal of door leaf if hinge knuckle is attacked.
- Manufactured from 316 Marine Grade Stainless Steel for extra durability.
- Ideal for use where corrosion levels are high such as coastal environments and with acidic timber.
- Durability tested to 120kg over 3 hinges - 200,000 cycles
- Works well with Shimwell™ Hinge Packer System.



PART NUMBER	PRODUCT DESCRIPTION	FINISH	UNITS
HQ4-SEC-SSS	Butt hinge - Square corner with dogbolt	SSS	Each

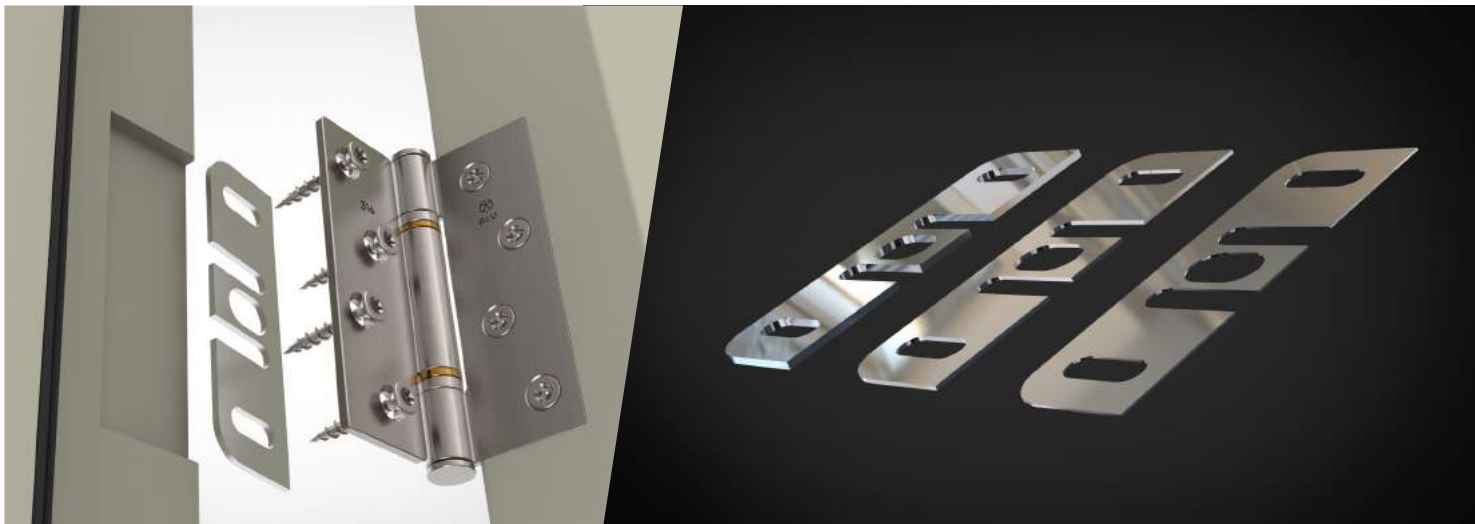
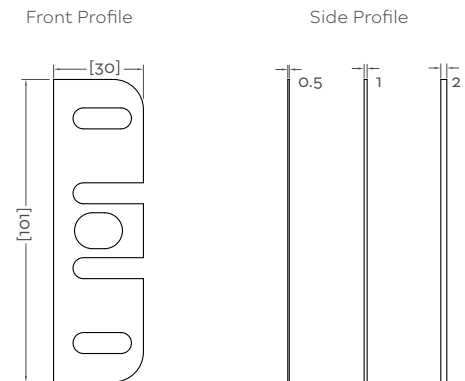


Shimwell™ Hinge Packers

- Your solution to timber doors jamming and binding.
- Unlike traditional packers, the Shimwell will not compress and cause the door to sag over time.
- Suitable for use with the BLU™ hinge variants.
- Shimwells™ should be installed by the joiner when initially fitting the door. They enable quick and easy adjustments when the door swells, ending the inconvenience of having to plane the door down to release the bind. Simply loosen the hinge screws, and remove the 0.5mm, 1mm or 2mm Shimwells™ to bring the door back into alignment.
- Each Shimwell™ moves the hinge pin in between 0.5 – 2.0mm and can be used in pairs to create a larger shim to suit more severe gaps.
- Made from 316 Marine Grade Stainless Steel.

PART NUMBER	PRODUCT DESCRIPTION	FINISH	UNITS
HQ-405-R-USS	HQ4 0.5mm Shimwell packer	USS	Pack 50
HQ-410-R-USS	HQ4 1mm Shimwell packer	USS	Pack 50
HQ-420-R-USS	HQ4 2mm Shimwell packer	USS	Pack 50

For use with HQ4 / HQ4R / HQ4-SEC / HQ45 hinges



Door Butt Hinge Quantity Guide

The following is a guide to the number of hinges required per door depending on height and width:

DOOR HEIGHT (mm)	DOOR WIDTH (mm)				
	<700	701 - 800	801 - 900	901 - 1000	1001 - 1100
< 2000	3	3	3	3	4
2001 - 2100	3	3	3	3	4
2101 - 2200	3	3	3	4	4
2201 - 2300	4	4	4	4	5
2301 - 2400	4	4	4	5	5
2401 - 2500	5	5	5	5	
2501 - 2600	5	5	5		



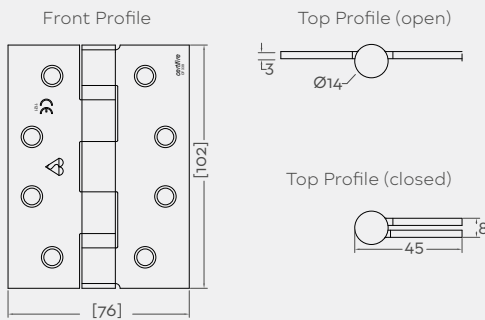
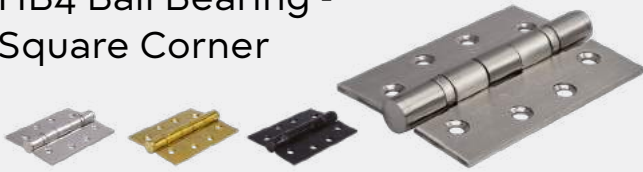
Stainless Steel Ball Bearing Door Hinge (Internal Use Only)



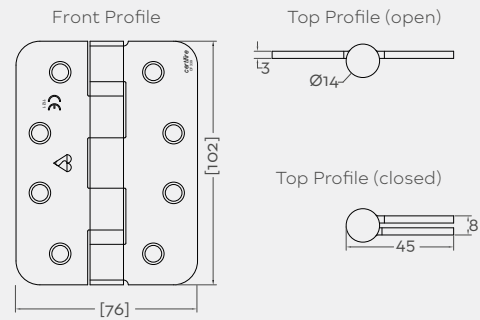
- Quality ball bearing butt hinge.
- Conforms to BS EN 1935: 2002 Grade 13.
- Certifire approved.
- For internal door use only.
- HB4 manufactured from 304 stainless steel.
- HB4R manufactured from 201 stainless steel.
- Not recommended for external use or with acidic timber (HQ4 should be used in these applications).
- Note: if you are using these hinges on a fire door you will also need to add intumescent pads behind the hinges.

PART NUMBER	PRODUCT DESCRIPTION	FINISH	UNITS
HB4-SSS	102 x 76 x 3mm ball bearing - square corner	SSS	Pair
HB4-PSS		PSS	Pair
HB4-PPB		PPB	Pair
HB4-MSB		MSB	Pair
HB4R-SSS	102 x 76 x 3mm ball bearing - radius corner	SSS	Pair
HB4R-PPB		PPB	Pair

HB4 Ball Bearing - Square Corner

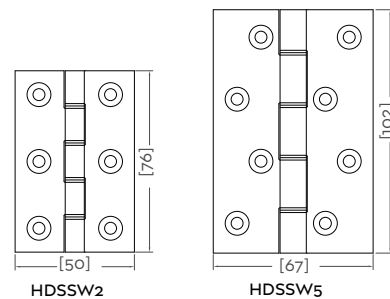
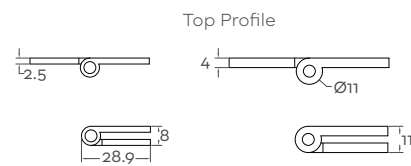


HB4R Ball Bearing - Radius Corner



Double Stainless Steel Washered Brass Hinge

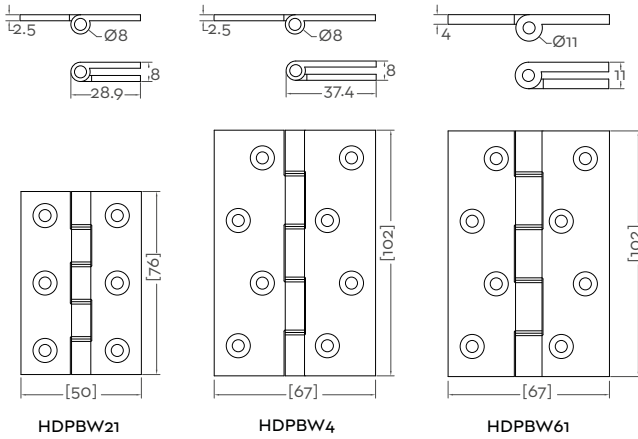
- Medium duty butt hinge.
- Features stainless steel washers.
- Manufactured from solid drawn brass.
- Not recommended for external use or with acidic timbers.



PART NUMBER	PRODUCT DESCRIPTION	FINISH	UNITS
HDSSW2-SC	76 x 50 x 3mm DSSW hinge	SC	Pair
HDSSW5-SC	102 x 67 x 4mm DSSW hinge	SC	Pair

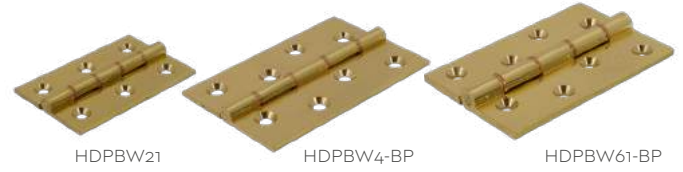
Visit www.coastal-group.com for CAD drawings

PART NUMBER	PRODUCT DESCRIPTION	FINISH	UNITS
HDPBW21-BP	76 x 50 x 2.5mm DPBW hinge	BP	Pair
HDPBW4-BP	102 x 67 x 2.5mm DPBW hinge	BP	Pair
HDPBW61-BP	102 x 67 x 4mm DPBW hinge	BP	Pair

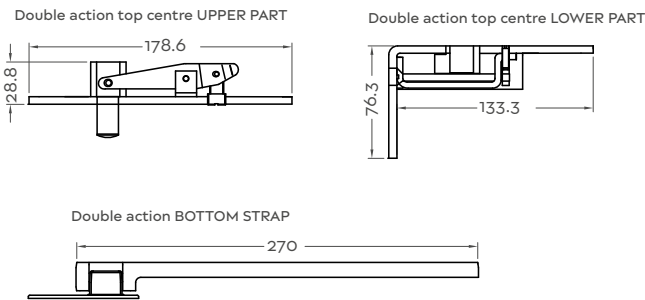


Double Phosphor Bronze Washered Brass Hinge

- Medium duty butt hinge.
- Features double phosphor bronze washers.
- Manufactured from solid drawn brass.
- Not recommended for external use or with acidic timbers.



PART NUMBER	PRODUCT DESCRIPTION	FINISH	UNITS
PV250-SSS	250kg double action pivot set	SSS	Set



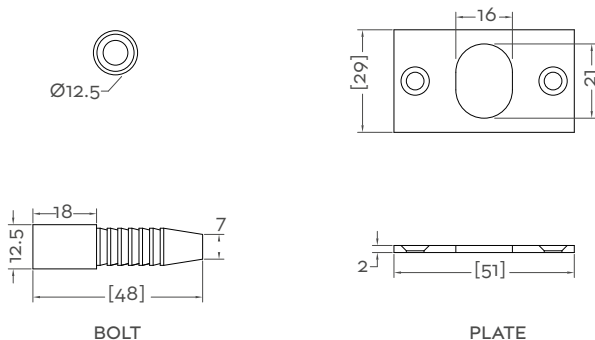
Double Action Door Pivot Set (250kg)

- Enables the door to swing in either direction.
- * Will perform up to an EN7 EN1154 powersize door leaf of a width of up to 1600mm wide.
- Conforms to BS 476 for both single and double doors.
- Suitable for use on FD30 and FD60 fire doors.
- Features a 304 stainless steel pivot cover plate.

* Do not exceed the weight limit of 250kg.



PART NUMBER	PRODUCT DESCRIPTION	FINISH	UNITS
HB740-SV	Security dogbolt hinge set	SV	Set



Security Dogbolt Set

- Hinge security dogbolt set for added security on external doors with exposed hinges.
- Recommended to be fitted on all outward opening doors.
- Helps to prevent doors from being forced off their hinges.
- Manufactured from hardened steel to resist attack.





MULTIPOINT DOOR LOCKING SYSTEMS

WINKHAUS Multipoint Door Locking Systems



Our range of Winkhaus mechanical door locking systems with multiple locking points offer functionality, long-term reliability and stand for effective and secure locking technology. The locks include options for automatic, lever and key operated locking systems which are suitable for single and double door solutions.

Winkhaus Multipoint Door Lock Range offers:

- Superior security - tested to PAS24 and 'Secured by Design' accredited, SBD license held by Winkhaus.
- Long term reliability - 10 year mechanical guarantee.
- Consistent compression for improved weathersealing and draughtproofing.
- Class 5 - EN 1670 corrosion protection.
- A fully tested and validated product for use in conjunction with Accoya.

Give your customer peace of mind with our door lock systems and take advantage of our large stockholding to provide you with quick delivery of your requirements.



Winkhaus Lock Types



ThunderBolt

A lever or key turn activated multipoint locking system with solid twin deadbolts in the upper and lower position offering high security and greater door installation tolerances.



AutoLock AV2

A locking system with a hookbolt at the top and bottom position that automatically throw when the door is closed to provide immediate protection. Eliminates the need to lift a handle lever to engage the hook locking mechanism.

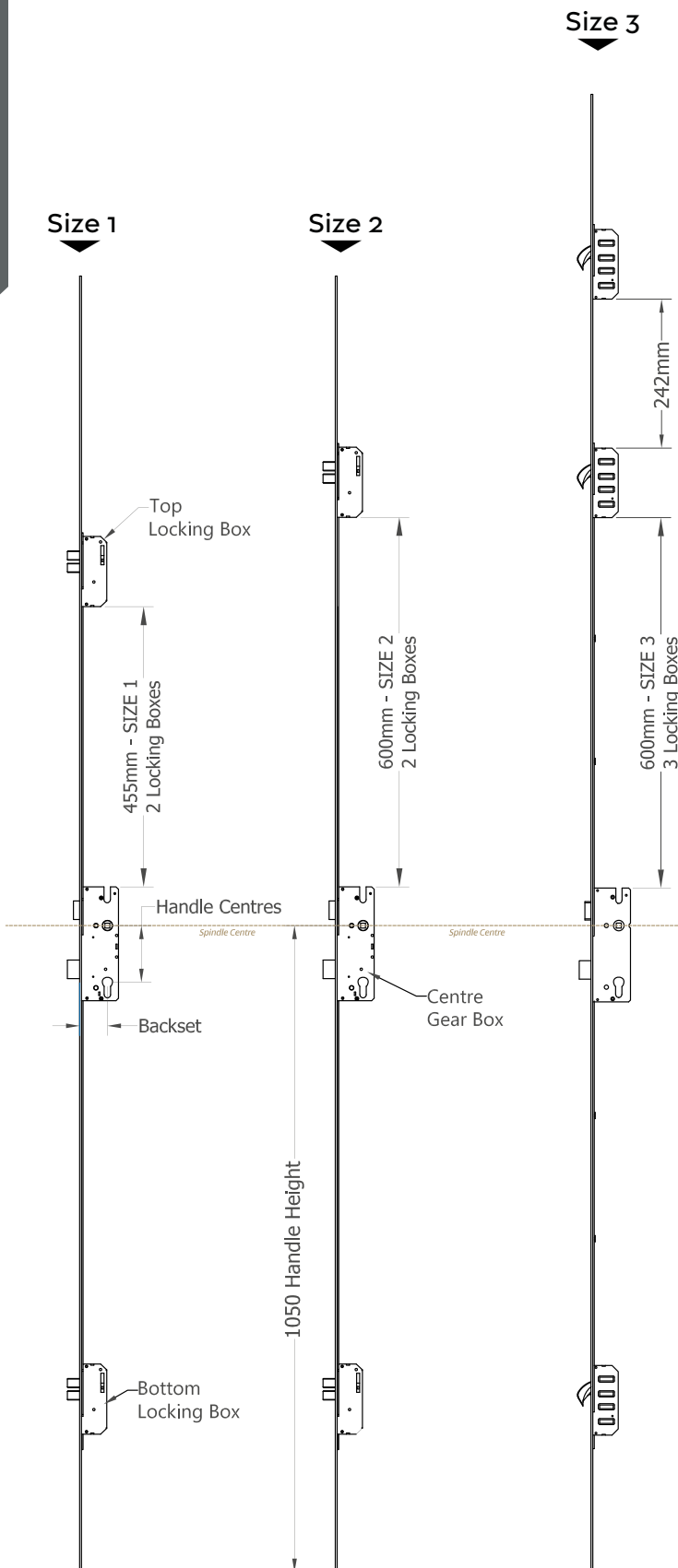


AutoLock AV4

A modern multi-point locking system that automatically locks when the door is closed with additional features such as a day/night latch. Magnet doesn't activate the lock until door is fully closed reducing risk of damage to door frame.

Winkhaus Door Lock Sizing Chart

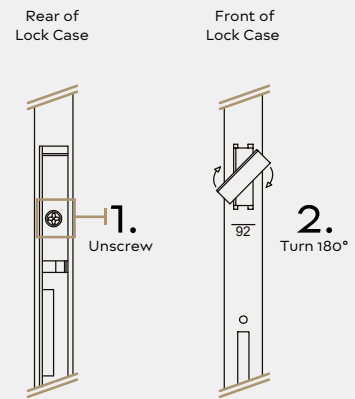
See below drawings showing main difference between Size 1, Size 2 and Size 3 multipoint locks.



Multipoint Lock Latch Release

The drawings below demonstrate how to change the latch on a non-handed (universal) multipoint lock from a left hand to a right hand.

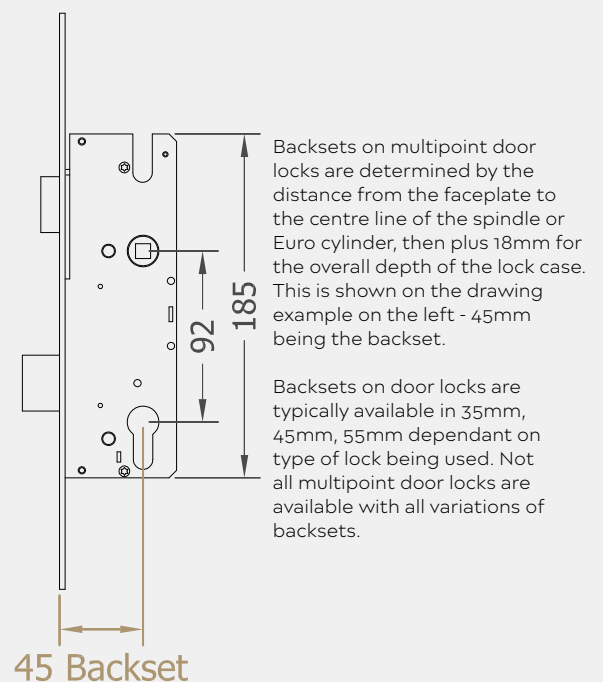
Winkhaus Multipoint Locks



1. Undo the screw on the rear of the lock case several turns until the latch mechanism can be turned.
2. Then turn the latch through 180 degrees to alter the handing. Once altered, tighten the screw to secure.

Door Lock Backset

How to measure the backset of a door lock



Family of Locks

Coastal have a simple and effective solution to speed up your lock machining process – The Family Of Locks. This concept allows you to achieve many different door designs and styles through just a single mortice preparation detail in Size 1 Locks including:

- Single Door locks – ML60 (Winkhaus ThunderBolt Single Door Lock).
- Lever Operated Double Door Master Locks – ML24 (Winkhaus FGTE Double Door Master Lock).
- Automatic Slam Shut Locks – ML4120 (Winkhaus autoLock AV4).



Door Lock Types

Single Door Lever Operated

Lift the door handle to engage the locking mechanism



Single Door Key Operated

Turn key 720 degrees to unlock/lock



Single Door Slam Shut

Locking bolts automatically fire as soon as the door is closed



Single Door Stable Door

Available in Interlocking and Non-interlocking options



Double Door Standard Locking

Available in Single Handle (Solo) and Twin Handle (Klone)



Double Door Auto Locking

Available in Heritage Style or Standard Style locking



MULTIPOINT DOOR LOCKS

Single Door - Lever Operated

Lift the door handle to engage the locking mechanism. Deadlocking of mechanism by key operation.



Single Point Door Lock



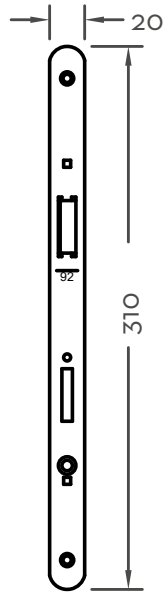
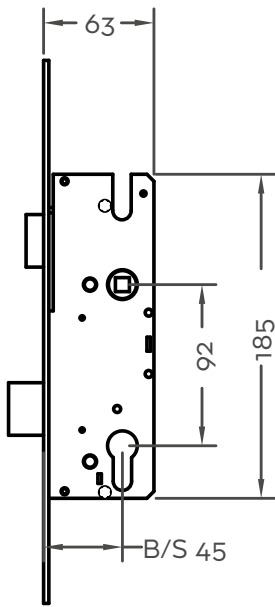
Single Door - Short Door
(Repair or Flexilock)
ThunderBolt Locking



Single Door - Standard Door
ThunderBolt Locking



Single Door - Tall Door
Cobra Hookbolt Locking



Single Point - Door Lock (Radius End)



- Single mortice lock with 92mm lock centre and 45mm backset.
- Enables a consistent handle design to be used on doors throughout a house but where a high security multipoint locking system isn't required.
- Features 20mm radius ends for easy routing.



Keep Options

For keep details see page 100



Standard MK9 (1x) (handed)

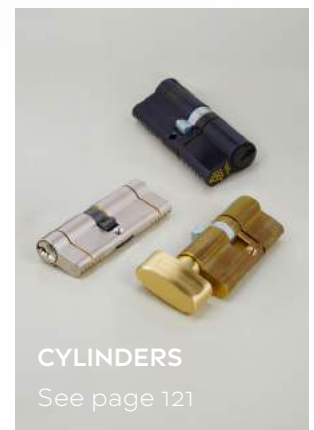


Premium MK9-FTB (1x) (non-handed)



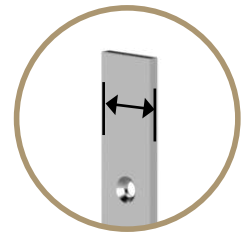
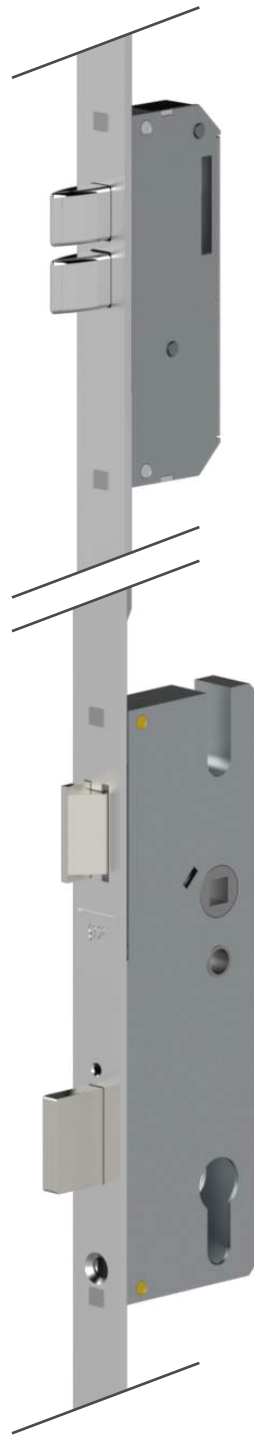
PART NUMBER	HANDING	BACKSET	FACEPLATE	FINISH	UNITS
ML20R-45-SV	Universal	45mm	20mm radius end	SV	Each

You may also need:

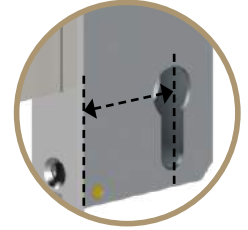


Single Door - Short Door Lever Operated (Repair or Flexilock) ThunderBolt Locking

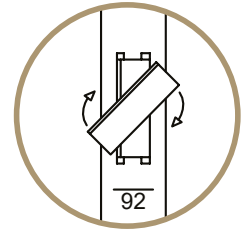
- Ideal Winkhaus multipoint door lock for short doors.
- Designed as a universal repair lock which can replace most other brands of multipoint lock with minimal or no extra routing work.
- Twin tapered deadbolts make door easy to close and lock whilst providing excellent draught sealing and weather protection.
- High performance, strengthened centre gearbox.
- Tested to PAS24 and 'Secured by Design' accredited, SBD license held by Winkhaus.
- Lock is supplied in 3 sections and croppable to suit doors from 1362mm to 2240mm in height.



Square End
20mm Faceplate



45mm Backset



Latch Release - for
universal handing



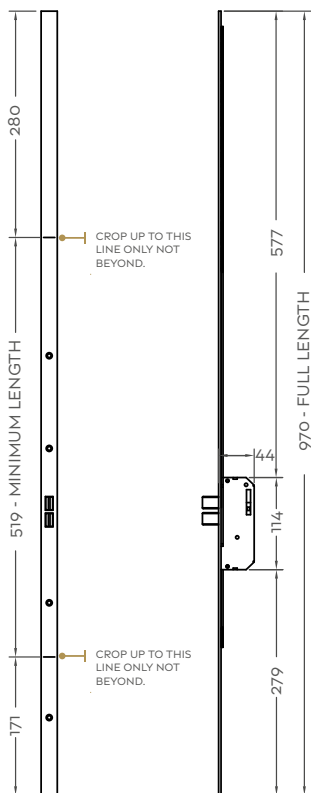
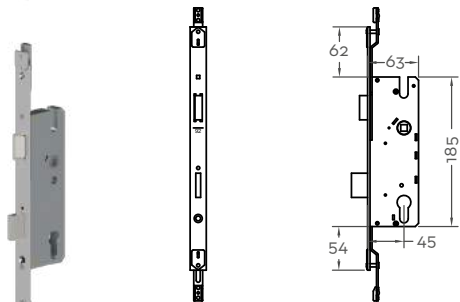
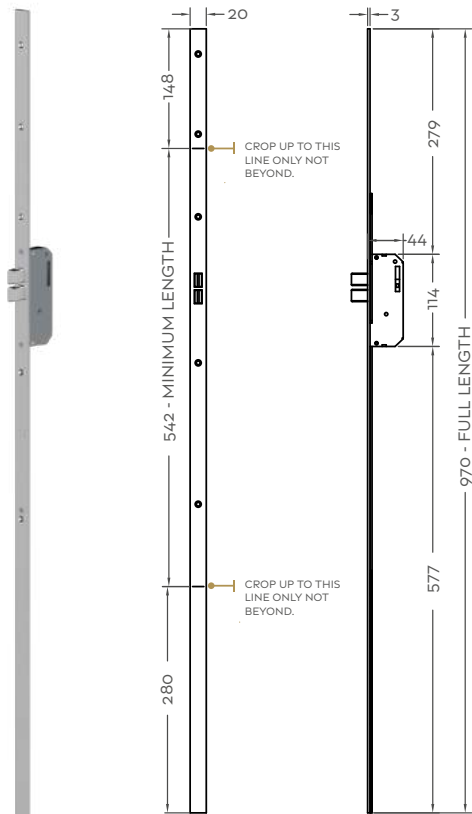
Tested to
100,000 Cycles



LOCK PART NUMBER	HANDING	BACKSET	FACEPLATE	FINISH	UNITS
ML70S-45-SV	Universal	45mm	20mm square end	SV	Each

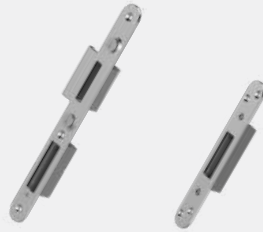
Keep Options

(for keep details see pages 98 - 103)



ML70S-45-SV

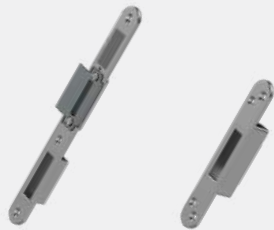
Standard Keeps



MK9 (1x)
Centre Keep
(handed)

MK7-FLU (2x)
Top & Bottom
Keep

Premium Keeps



MK9-FTB (1x)
Centre Keep
(non-handed)

MK7-FTB (2x)
Top & Bottom
Keep

U-Rail Keeps



MKU9 (1x)
Centre Keep
(handed)

MKU7 (2x)
Top & Bottom
Keeps

Full Length Surface
Adjustable Keeps
(size 1 or size 2 depending
on cropping of lock)



MK10 (1x)
(handed)

One Piece Surface
Adjustable Keeps
(only if lock is cropped
to match pocket
locations of keep)



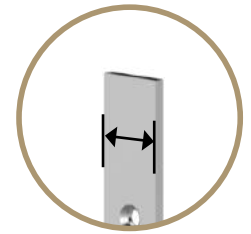
MK26 (1 set)



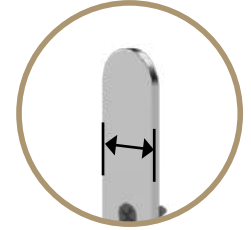
MK28 (1x)
(handed)

Single Door - Standard Door Lever Operated ThunderBolt Locking

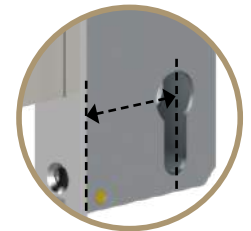
- Winkhaus 5-Point multipoint door lock for single doors.
- Especially designed with increased tolerances for door installers.
- Twin tapered deadbolts provide low operating force making door easy to lock whilst providing excellent weathersealing.
- High performance, strengthened centre gearbox.
- Successfully tested on our Part Q Scheme.
- Tested to PAS24 and 'Secured by Design' accredited, SBD license held by Winkhaus.



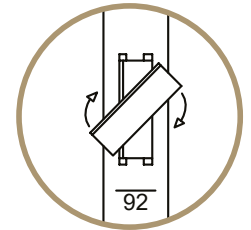
Square End
ML60S - 20mm Faceplate
ML66S - 16mm Faceplate



Radius End
ML60R - 20mm Faceplate



35/45/55mm
Backset Option



Latch Release - for
universal handing



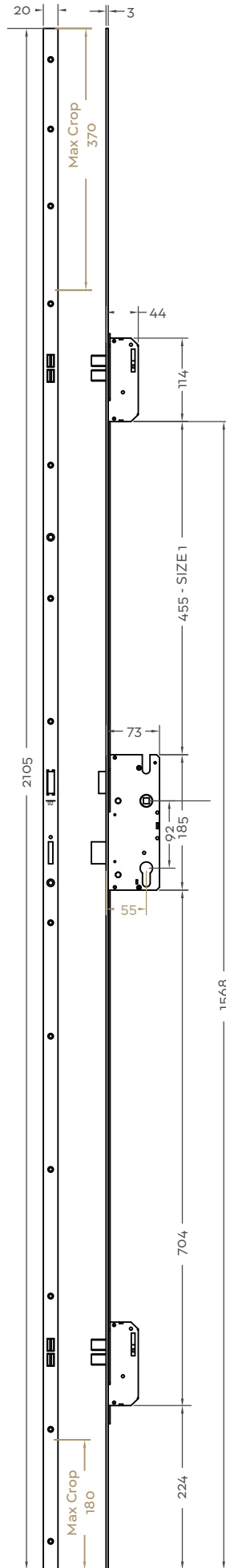
Tested to
100,000 Cycles



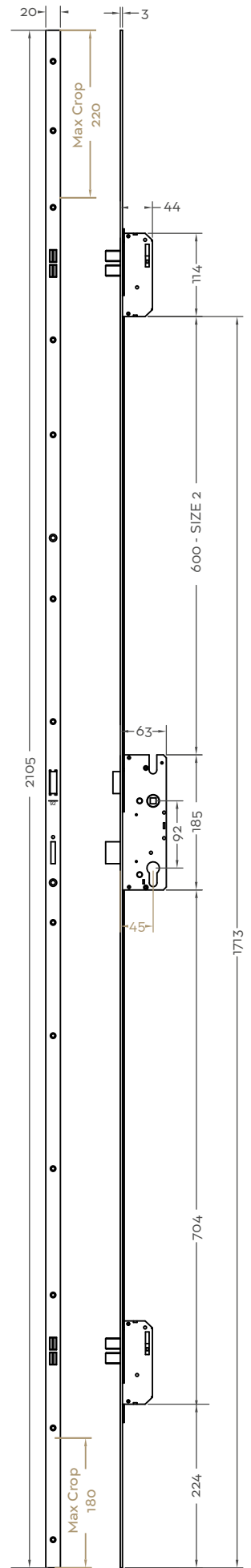
LOCK PART NUMBER	HANDING	BACKSET	FACEPLATE	FINISH	UNITS
ML60S-35-1-SV	Universal	35mm	20mm square end	SV	Each
ML60S-45-1-SV	Universal	45mm	20mm square end	SV	Each
ML60S-55-1-SV	Universal	55mm	20mm square end	SV	Each
ML60S-45-2-SV	Universal	45mm	20mm square end	SV	Each
ML66S-45-2-SV	Universal	45mm	16mm square end	SV	Each
ML60R-35-2-SV	Universal	35mm	20mm radius end	SV	Each
ML60R-45-2-SV	Universal	45mm	20mm radius end	SV	Each
ML60R-55-2-SV	Universal	55mm	20mm radius end	SV	Each



ML60S - SIZE 1 ML60S - SIZE 2



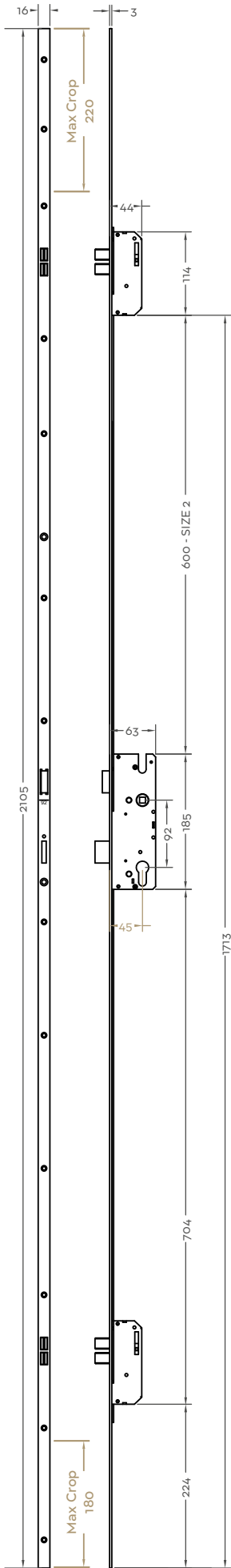
ML60S-55-1-SV



ML60S-45-2-SV



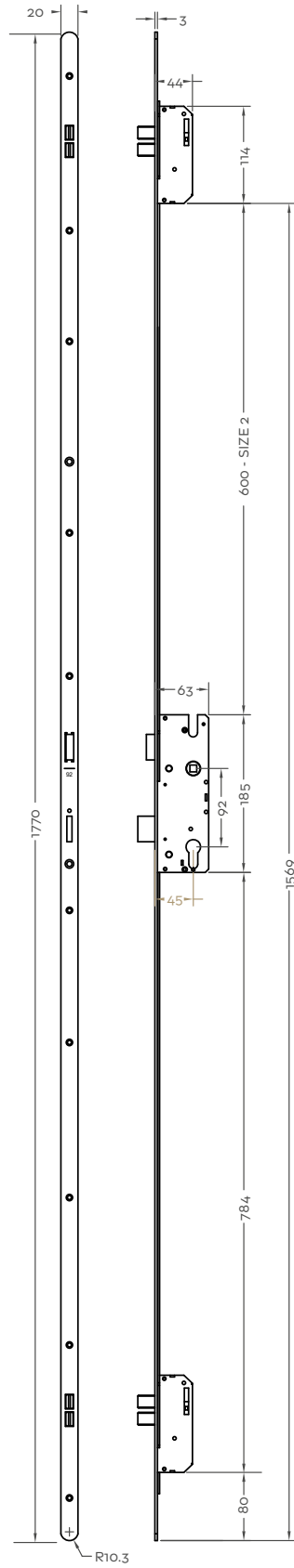
ML66S - SIZE 2



ML66S-45-2-SV



ML60R - SIZE 2

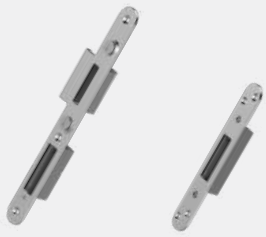


ML60R-45-2-SV

Keep Options

(for keep details see pages 98 - 103)

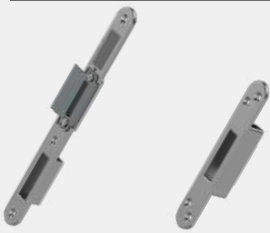
Standard Keeps



MK9 (1x)
Centre Keep
(handed)

MK7-FLU (2x)
Top & Bottom
Keep

Premium Surface Adjustable Keeps



MK9-FTB (1x)
Centre Keep
(non-handed)

MK7-FTB (2x)
Top & Bottom
Keep

Full Length Surface Adjustable Keeps (size 1 or size 2 depending on size of lock)



MK10 (1x)
(handed)

MK26 (1 set)

One Piece Surface Adjustable Keeps (Size 2 lock only)



MK28 (1x)
(handed)

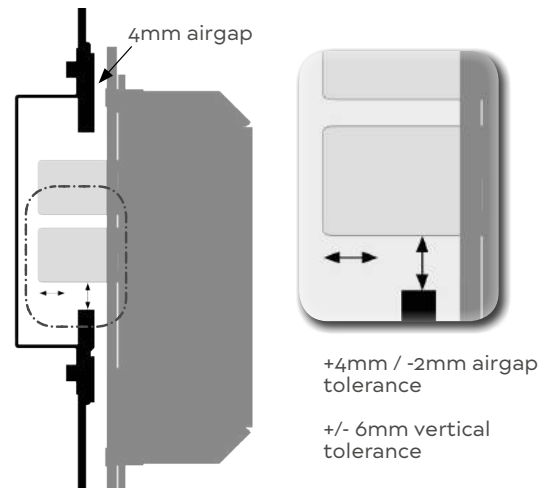
Multipoint Door Lock Part Numbers Explained (what the CODE means)

Example:

ML120S-LH-45-2-SV

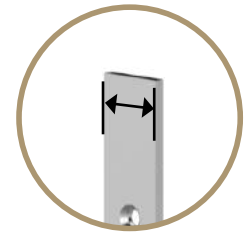
- ML120S = The type of locking system used ('S' means SQUARE END, 'R' means RADIUS END)
- LH = The handing of the lock or keep(s) (if relevant) ('LH' = Left handed) ('RH' = Right handed)
- 45 = Backset dimension (mm)
- 2 = Size of lock (Size 1, 2 or 3, refer to page 62 for door height)
- SV = The finish of the lock

Diagram shows the increased tolerances for door installation using a ThunderBolt™

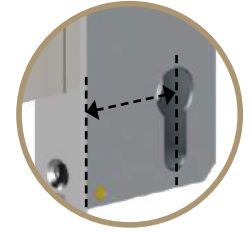


Single Door - Tall Door Lever Operated Cobra Hookbolt Locking

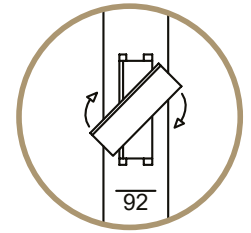
- Ideal Winkhaus multipoint door lock with additional locking points for tall doors.
- Anti 'push-back' hook bolts provide excellent security.
- High performance sprung gearbox helps prevent handle 'droop' and designed for easy lock operation.
- Enhanced tapered hook design.
- Helps provide low operating force.
- Tested to PAS24 and 'Secured by Design' accredited, SBD license held by Winkhaus.



Square End
20mm Faceplate



45mm Backset



Latch Release - for
universal handing



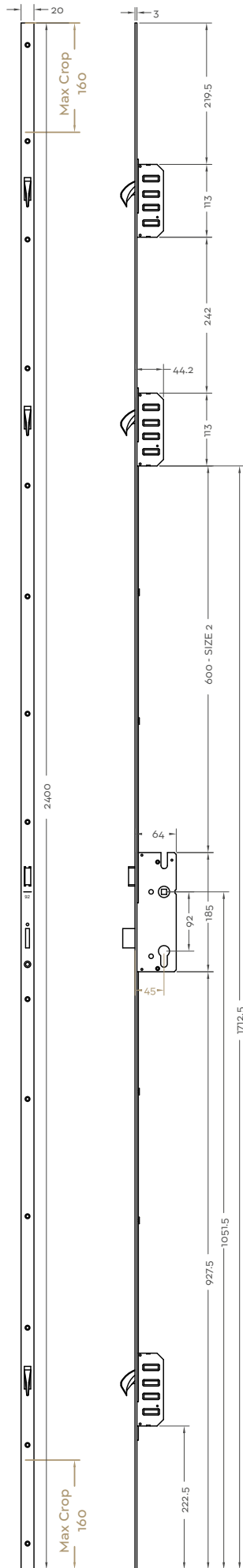
Tested to
100,000 Cycles



LOCK PART NUMBER	HANDING	BACKSET	FACEPLATE	FINISH	UNITS
ML50S-45-3-SV	Universal	45mm	20mm square end	SV	Each



ML50S - SIZE 3



ML50S-45-3-SV

Keep Options

(for keep details see pages 100 - 101)

Standard Keeps



MK9 (1x)
Centre Keep
(handed)



MK7-FLU (3x)
Top & Bottom
Keep

Premium Keeps



MK9-FTB (1x)
Centre Keep
(non-handed)



MK7-FTB (3x)
Top & Bottom
Keep

Keep Handing



Left Hand



Right Hand



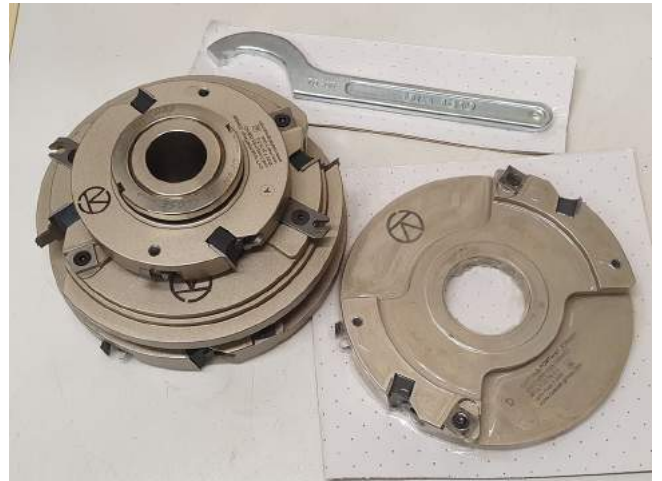
Speed up your joinery manufacturing process and overcome the challenge of labour supply with our door tooling options.

Prevent error and ensure accuracy in production every time to harmonise with the hardware we supply.

Benefit from:

- Superior finish to your joinery
- Flexibility to work around existing machinery
- Work with your existing profiles
- Optional soft form
- Sleeved tooling
- Available in 30mm and 31.75mm bore for spindle moulder
- Also available for CNC

See page 277.



"I was super impressed with the quality of the tooling and the finish that it leaves, and will be ever grateful for the time and effort that the guys put in to make sure that what I wanted was delivered."

MULTIPOINT DOOR LOCKS

Single Doors - Key Operated

Turn key 720 degrees to unlock/lock.

Can be used with Daytime Latch Keep.



Single Door - Heritage
ThunderBolt Locking

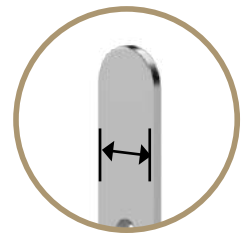
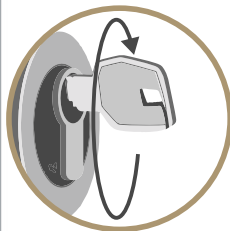


Single Door - Standard
ThunderBolt Locking



Single Door - Heritage Key Operated ThunderBolt Locking

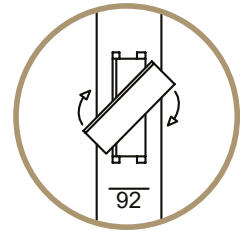
- Winkhaus 5-Point multipoint door lock for single doors.
- Especially designed with increased tolerances for door installers.
- Twin tapered deadbolts provide low operating force making door easy to lock whilst providing excellent weathersealing.
- High performance, strengthened centre gearbox.
- Tested to PAS24 and 'Secured by Design' accredited, SBD license held by Winkhaus.
- Euro cylinder and gearbox located at shoulder height to create a Heritage look with a modern, secure multipoint locking system.
- Ultra smooth key/thumbturn activated gearbox.
- Daytime Latch Keep option - when activated the daytime latch holds the door closed but allows you to push open the door without a key. Ideal for shop doors or on private homes when loading and unloading the car.



Radius End
20mm Faceplate



45/55mm Backset



Latch Release - for
universal handing



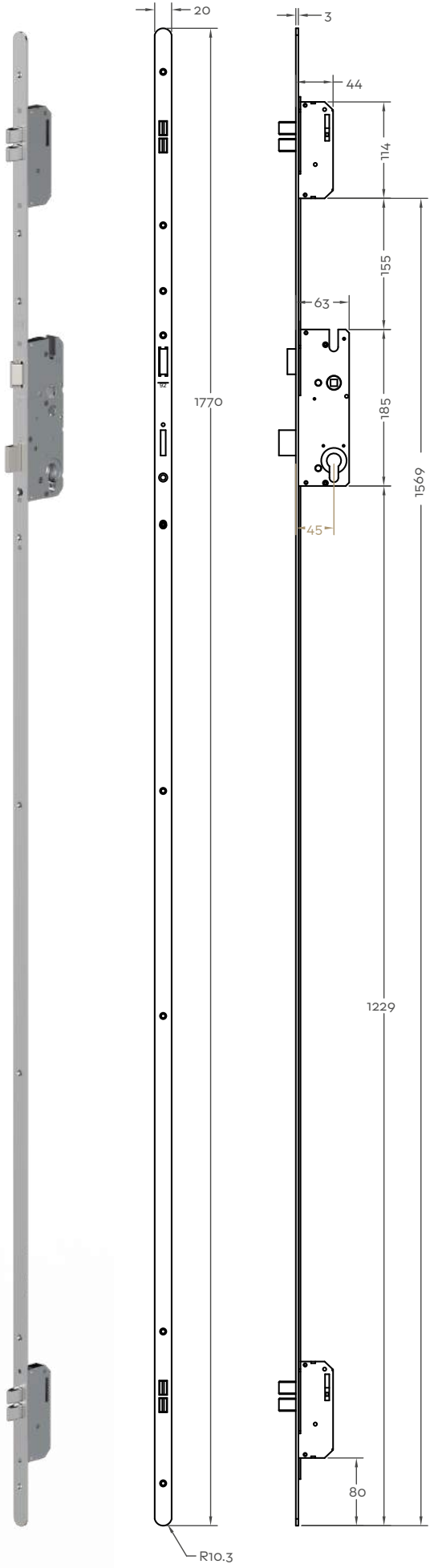
Can be used with
Daytime Latch Keep



Tested to
100,000 Cycles



LOCK PART NUMBER	HANDING	BACKSET	FACEPLATE	FINISH	UNITS
ML130R-45-SV	Universal	45mm	20mm radius end	SV	Each
ML130R-55-SV	Universal	55mm	20mm radius end	SV	Each



ML130R

ML130R-45-SV

Keeps

(for keep details see page 99)



MK39 (1x)
(handed)
Centre Keep

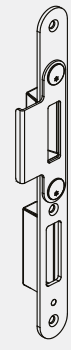


MK39-DAY (1x)
(handed)
Daytime latch
switch option

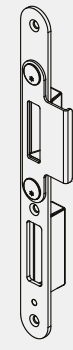


MK7-FLU (2x)
Standard
Top & Bottom
Keep

Keep Handing



Left Hand



Right Hand

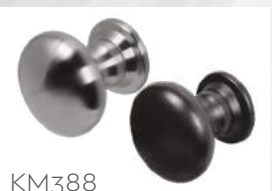
You may also need:



Euro Cylinder
Pg. 121



CP30
See pg.43



KM388
See pg. 49



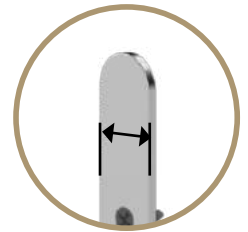
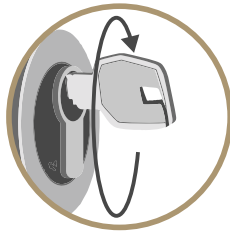
Knocker
See pg. 50



LP400
See pg. 47

Single Door - Standard Key Operated ThunderBolt Locking

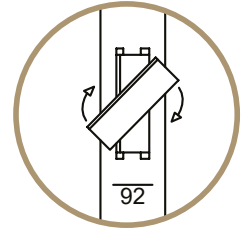
- Winkhaus 5-Point multipoint door lock for single doors.
- Especially designed with increased tolerances for door installers.
- Twin tapered deadbolts provide low operating force making door easy to lock whilst providing excellent weathersealing.
- High performance, strengthened centre gearbox.
- Tested to PAS24 and 'Secured by Design' accredited, SBD license held by Winkhaus.
- Euro cylinder and gearbox located at waist height to create a Heritage look with modern, secure multipoint locking system.
- Ultra smooth key/thumbturn activated gearbox.
- Daytime Latch Keep option - when activated the daytime latch holds the door closed but allows you to push open the door without a key. Ideal for shop doors or on private homes when loading and unloading the car.



Radius End
20mm Faceplate



55mm Backset



Latch Release - for
universal handing



Can be used with
Daytime Latch Keep



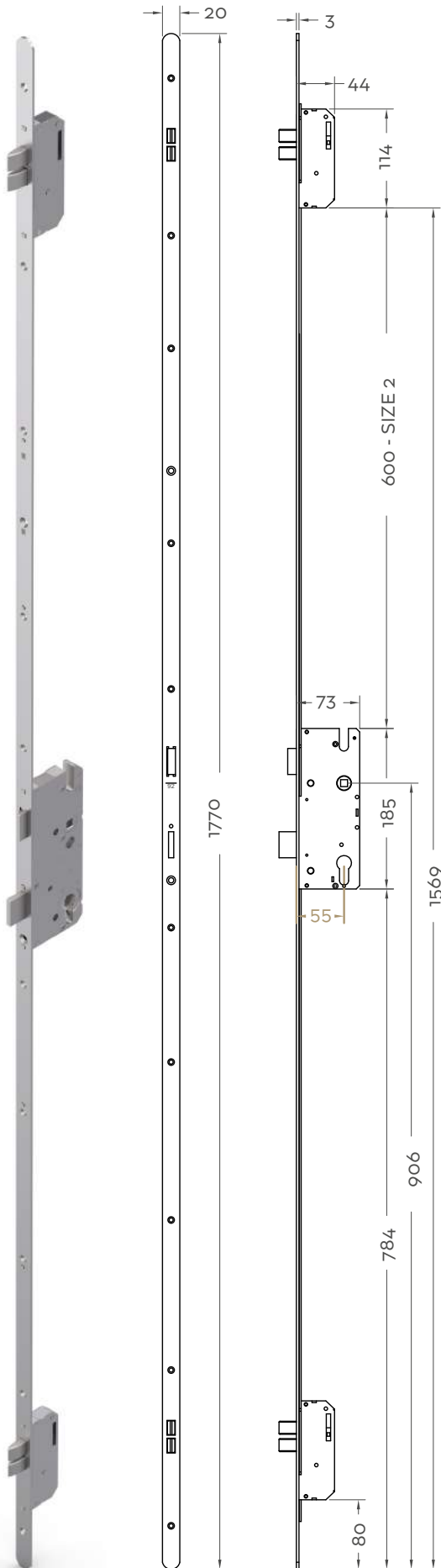
Tested to
100,000 Cycles



LOCK PART NUMBER	HANDING	BACKSET	FACEPLATE	FINISH	UNITS
ML60R-KO-55-2-SV	Universal	55mm	20mm radius end	SV	Each

Keep Options

(for keep details see pages 98 - 103)



ML60R-KO

ML60R-KO-55-2-SV

Standard Keeps



MK9 (1x)
Centre Keep
(handed)



MK7-FLU (2x)
Top & Bottom
Keep

Daylatch Centre Keep



MK39-FTB (1x)
Centre Keep
(handed)

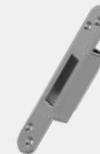


MK39-DAY
(handed)

Premium Keeps



MK9-FTB (1x)
Centre Keep
(non-handed)



MK7-FTB (2x)
Top & Bottom
Keep

One Piece Surface Adjustable Keeps

Full Length Surface Adjustable Keeps (size 2 lock)



MK10 (1x)
(handed)



MK26 (1 set)



MK28 (1x)
(handed)

MULTIPOINT DOOR LOCKS

Single Doors - Slam Shut Automatic Locking

Hookbolts automatically fire as soon as the door is closed. (Lever handle not required to activate the lock).



Single Door - Heritage
Autolock AV2 Locking



Single Door - Vogue (Standard)
Autolock AV2 Locking



Single Door - Heritage
Autolock AV4 Locking



Single Door - Vogue (Standard)
Autolock AV4 Locking



The Difference between Winkhaus AV2 and AV4 Autolock

AutoLock AV2 - Standard Automatic Lock

A locking system with a hookbolt at the top and bottom position that automatically throws when the door is closed to provide immediate protection.

The Tracer Pin triggers the hookbolts (not the deadbolt).

Eliminates the need to lift a handle lever to engage the hook locking mechanism.



AutoLock AV4 - Premium Automatic Lock

A modern multipoint locking system that automatically fires the hookbolts (not the deadbolt) when the door is closed.

Magnet doesn't activate hookbolts until door is fully closed reducing risk of damage to door frame.

Optimised hook design provides the widest installation tolerances, reducing the need to adjust the lock throughout the life of the door.



40% lower operating forces than the AV2.

Works with TaFa - innovative daytime latch keep.

TaFa - Innovative Daytime Latch

When activated the daytime latch on the keep holds the door closed but allows you to push open the door without a key.

Ideal for shop doors or on private homes when loading and unloading the car.



How The Daytime Latch Works:



Blue switch in 'down' position

- Daytime Latch activated - Door can be pushed and pulled to open and close without key
- Prevents door from blowing open
- Very convenient for example when bringing shopping in from car.



- To deactivate Daytime Latch simply push switch up

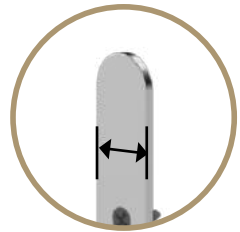


Blue switch in 'up' position

- Daytime Latch deactivated
- Key required to unlock and open door

Single Door - Heritage Slam Shut Autolock AV2 Locking

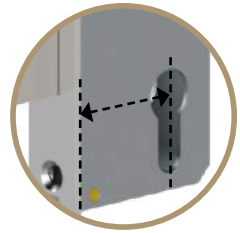
- Winkhaus automatic multipoint door lock for heritage style single doors.
- Tracer pin triggers the hookbolts.
- Can be used with either a cylinder pull or a pull handle, escutcheon and thumbturn cylinder.
- Anti 'push-back' hookbolts automatically throw when the door is closed to provide excellent security.
- Added option of throwing independent central gearbox deadbolt with a key or thumbturn.
- Enhanced high performance gearbox design with latest security and easy to operate locking.
- Tested to PAS24 and 'Secured by Design' accredited, SBD license held by Winkhaus.
- Euro cylinder and gearbox located at shoulder height to create a Heritage look with modern, secure multipoint locking system.



Radius End
20mm Faceplate



Hookbolts activated by
Tracer Pin



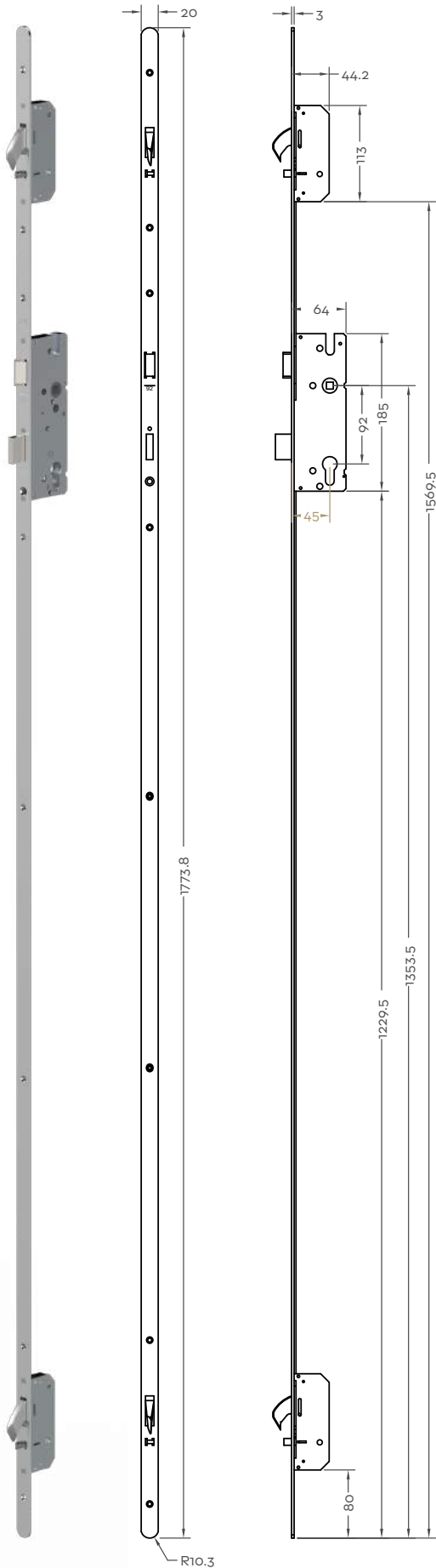
45/55mm
Backset



Tested to
100,000 Cycles



LOCK PART NUMBER	HANDING	BACKSET	FACEPLATE	FINISH	UNITS
ML80R-LH-45-SV	Left hand	45mm	20mm radius end	SV	Each
ML80R-RH-45-SV	Right hand	45mm	20mm radius end	SV	Each
ML80R-LH-55-SV	Left hand	55mm	20mm radius end	SV	Each
ML80R-RH-55-SV	Right hand	55mm	20mm radius end	SV	Each



ML80R

ML80R-RH-45-SV
Right hand shown

Keep Options

(for keep details see pages 100 - 103)

Standard Keeps



MK9 (1x)
Centre Keep
(handed)



MK7-FLU (2x)
Top & Bottom
Keep

Tabbed Full Length Keep (size 2 lock)



MK26 (1 set)

Premium Keeps



MK9-FTB (1x)
Centre Keep
(non-handed)



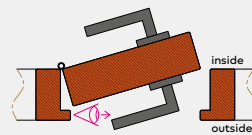
MK7-FTB (2x)
Top & Bottom
Keep

MK10 (1x)
(handed)

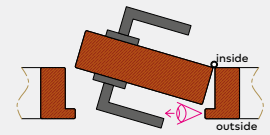
Door Lock Handing

To determine which handing you need, stand with your back to the door jamb looking forwards in the direction of the arrow. If door opens to the left, then it is a left hand lock and if door opens to the right, then it is a right hand lock.

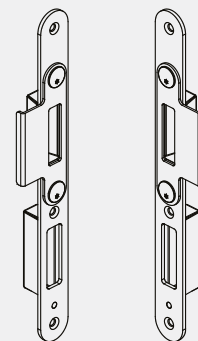
LEFT HAND LOCK
INWARD OPENING



RIGHT HAND LOCK
INWARD OPENING



Keep Handing

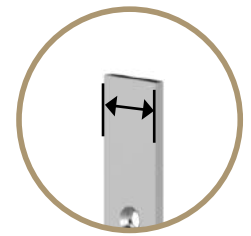


Left Hand

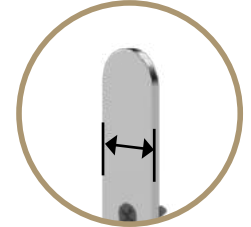
Right Hand

Single Door - Vogue (Standard) Slam Shut Autolock AV2 Locking

- Winkhaus automatic multipoint door lock for contemporary style single doors.
- Tracer pin triggers the hookbolts.
- Typically used with a pull handle, escutcheon and thumbturn cylinder.
- Anti 'push-back' hookbolts automatically throw when the door is closed to provide excellent security.
- Added option of throwing independent central gearbox deadbolt with a key or thumbturn.
- Enhanced high performance gearbox design with latest security and easy to operate locking.
- Tested to PAS24 and 'Secured by Design' accredited, SBD license held by Winkhaus.
- Euro cylinder and gearbox located at waist height to create a contemporary look with a modern, secure multipoint locking system.



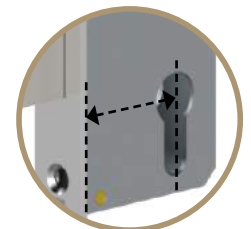
Square End
ML120S - 20mm Faceplate
ML126S - 16mm Faceplate



Radius End
ML120R - 20mm Faceplate



Hookbolts activated by
Tracer Pin



35/45/55mm
Backset



Tested to
100,000 Cycles



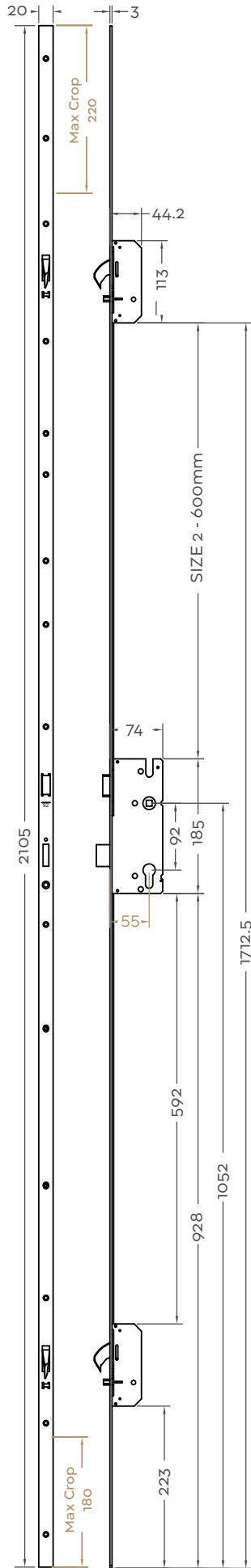
LOCK PART NUMBER	HANDING	BACKSET	FACEPLATE	FINISH	UNITS
ML120S-LH-45-2-SV	Left hand	45mm	20mm square end	SV	Each
ML120S-RH-45-2-SV	Right hand	45mm	20mm square end	SV	Each
ML120S-LH-55-2-SV	Left hand	55mm	20mm square end	SV	Each
ML120S-RH-55-2-SV	Right hand	55mm	20mm square end	SV	Each
ML120S-LH-55-3-SV	Left hand	55mm	20mm square end	SV	Each
ML120S-RH-55-3-SV	Right hand	55mm	20mm square end	SV	Each
ML126S-LH-35-2-SV	Left hand	35mm	16mm square end	SV	Each
ML126S-RH-35-2-SV	Right hand	35mm	16mm square end	SV	Each
ML120R-LH-45-2-SV	Left hand	45mm	20mm radius end	SV	Each
ML120R-RH-45-2-SV	Right hand	45mm	20mm radius end	SV	Each



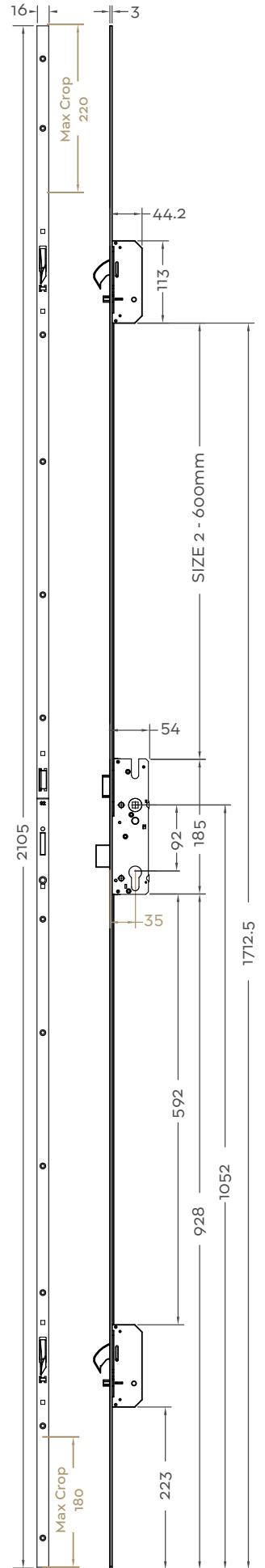
ML120S



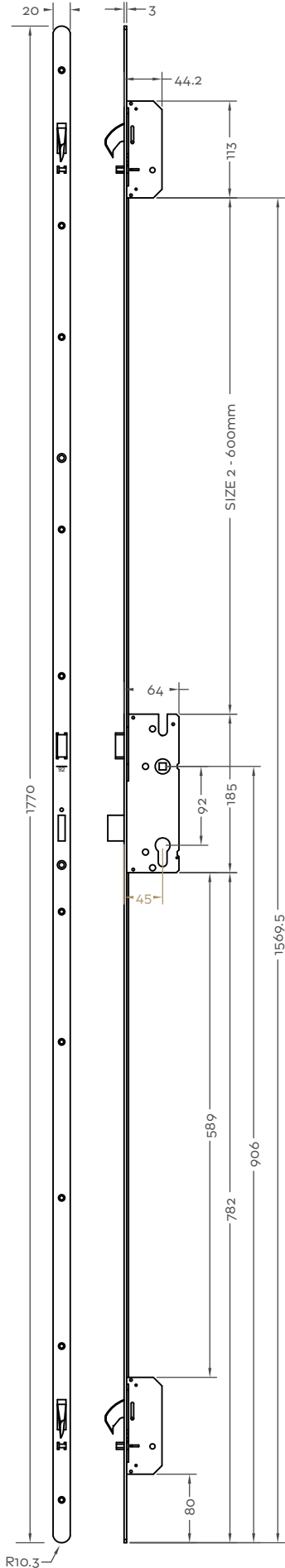
ML126S



ML120S-RH-55-2-SV



ML126S-RH-35-2-SV



ML120R

ML120R-RH-45-2-SV

Keep Options

(for keep details see pages 100 - 103)

Standard Keeps



Tabbed Full Length Keep (size 2 lock)



MK10 (1x) (handed)

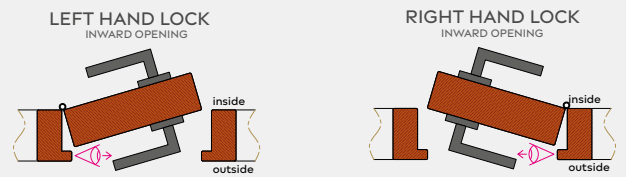
Premium Keeps



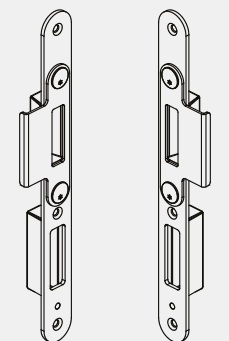
MK26 (1 set)

Door Lock Handing

To determine which handing you need, stand with your back to the door jamb looking forwards in the direction of the arrow. If door opens to the left, then it is a left hand lock and if door opens to the right, then it is a right hand lock.



Keep Handing



Left Hand

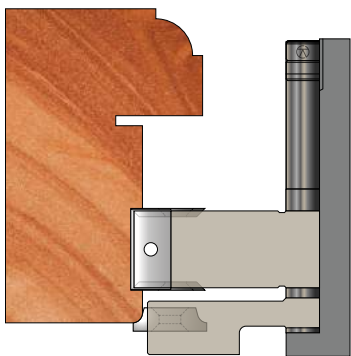
Right Hand

Tooling Solutions

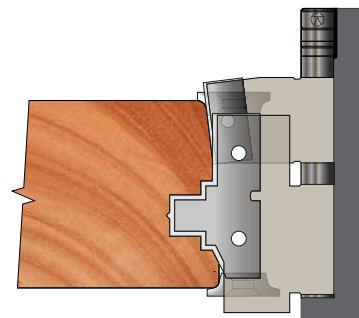
Use our tooling to help speed up your joinery manufacturing process and overcome the challenge of labour supply.

Prevent errors and ensure accuracy in production every time to harmonise with the hardware we supply.

One-Piece Keep



Single Door Edge

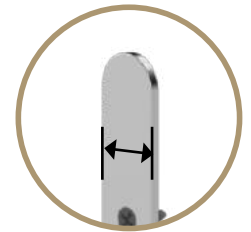


See our Universal Door Tooling Solution set up on page 277.

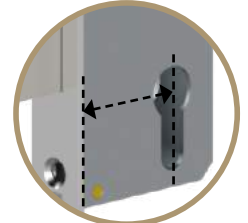


Single Door - Heritage Slam Shut Autolock AV4 Locking

- Winkhaus automatic multipoint door lock for heritage style single doors.
- Optimised hook design provides the widest installation tolerances, reducing the need to adjust the lock through the life of the door.
- 40% lower operating forces than the AV2.
- Magnet triggers the hookbolts. Magnet doesn't activate lock until door is fully closed reducing risk of damage to door frame.
- Euro cylinder located at shoulder height to create a Heritage look with central latch gearbox for superior compression and security.
- Can be used with either a cylinder pull or a pull handle, escutcheon and thumbturn cylinder.
- Solid anti-push back hooks automatically engage providing security against the lock being pushed back.
- Tested to PAS24 and 'Secured by Design' accredited, SBD license held by Winkhaus.
- Daytime Latch Keep option - when activated the daytime latch holds the door closed but allows you to push open the door without a key. Ideal for shop doors or on private homes when loading and unloading the car.



Radius End
20mm Faceplate



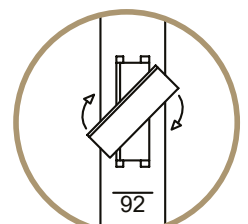
45/55mm
Backset



Solid Hookbolts
activated by magnetic
trigger once the door is
closed



Can be used with
Daytime Latch Keep



Latch Release - for
universal handing

LOCK PART NUMBER	HANDING	BACKSET	FACEPLATE	FINISH	UNITS
ML580R-45-SV	Universal	45mm	20mm radius end	SV	Each
ML580R-55-SV	Universal	55mm	20mm radius end	SV	Each
ML580R-55-MSB	Universal	55mm	20mm radius end	MSB	Each

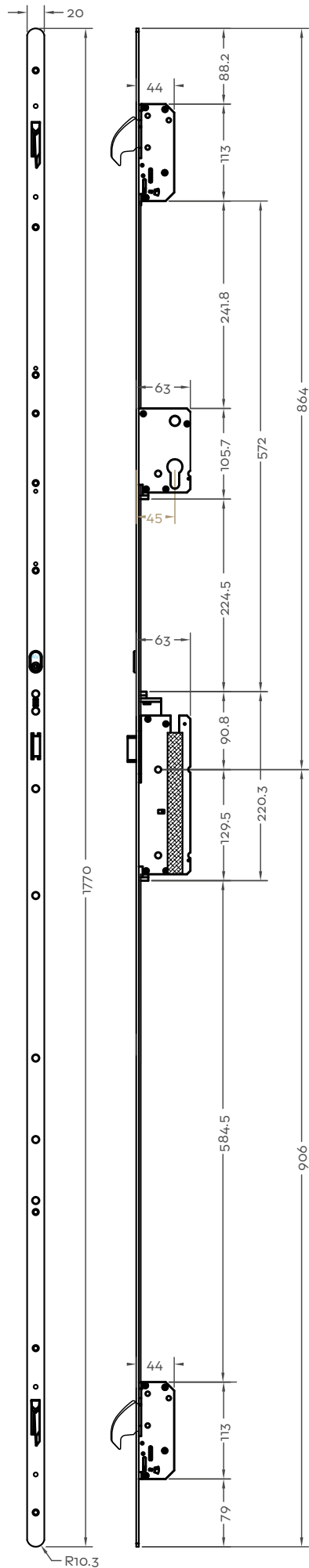


Gearbox - Tested to
100,000 Cycles





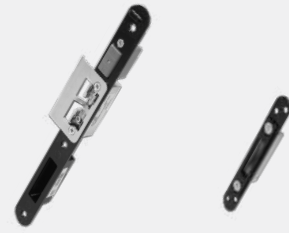
ML580R



ML480R-45-SV

Keeps

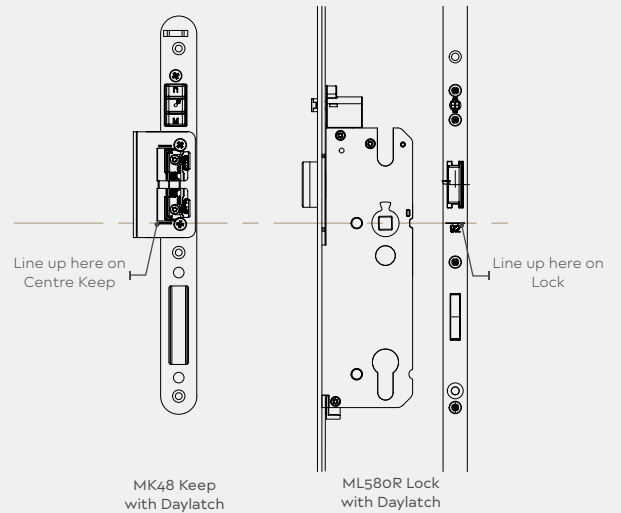
(for keep details see page 99)



MK48 (1x)
Centre Keep (handed)

MK37-FLU (2x)
Top & Bottom Keep

AV4 Centre Keep Alignment Guide



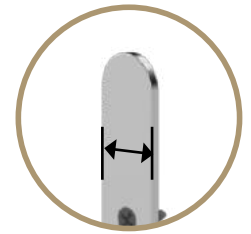
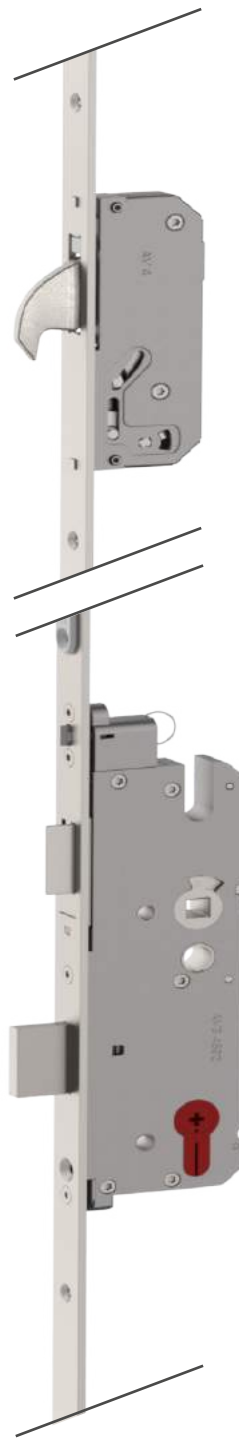
TaFa - Innovative Daytime Latch

When activated the daytime latch on the keep holds the door closed but allows you to push open the door without a key.

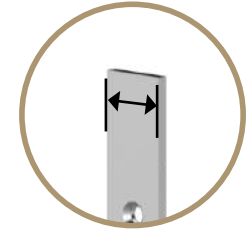
Ideal for shop doors or on private homes when loading and unloading the car.

Single Door - Vogue (Premium) Slam Shut Autolock AV4 Locking

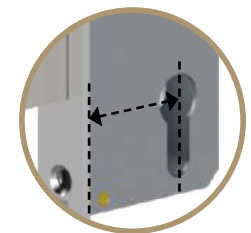
- Winkhaus automatic multipoint door lock for contemporary style single doors.
- Optimised hook design provides the widest installation tolerances, reducing the need to adjust the lock through the life of the door.
- 40% lower operating forces than the AV2.
- Magnet triggers the hookbolts. Magnet doesn't activate lock until door is fully closed reducing risk of damage to door frame.
- Euro cylinder located at waist height to create a contemporary look with central latch gearbox for superior compression and security.
- Typically used with a pull handle, escutcheon and thumbturn cylinder. Can also be used with a lever handle to disengage the hookbolts only.
- Solid anti-push back hooks automatically engage providing security against the lock being pushed back.
- Once lock activated, additional deadbolt can be wound out by key/thumbturn.
- Tested to PAS24 and 'Secured by Design' accredited, SBD license held by Winkhaus.
- Daytime Latch Keep option - when activated the daytime latch holds the door closed but allows you to push open the door without a key. Ideal for shop doors or on private homes when loading and unloading the car.



ML4120R - Radius End 20mm Faceplate



Square End
ML4120S - 20mm Faceplate
ML4126S - 16mm Faceplate



45/55mm Backset



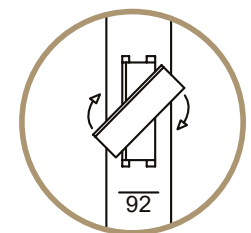
Solid Hookbolts activated by magnetic trigger once the door is closed



Can be used with Daytime Latch Keep



Gearbox - Tested to 100,000 Cycles



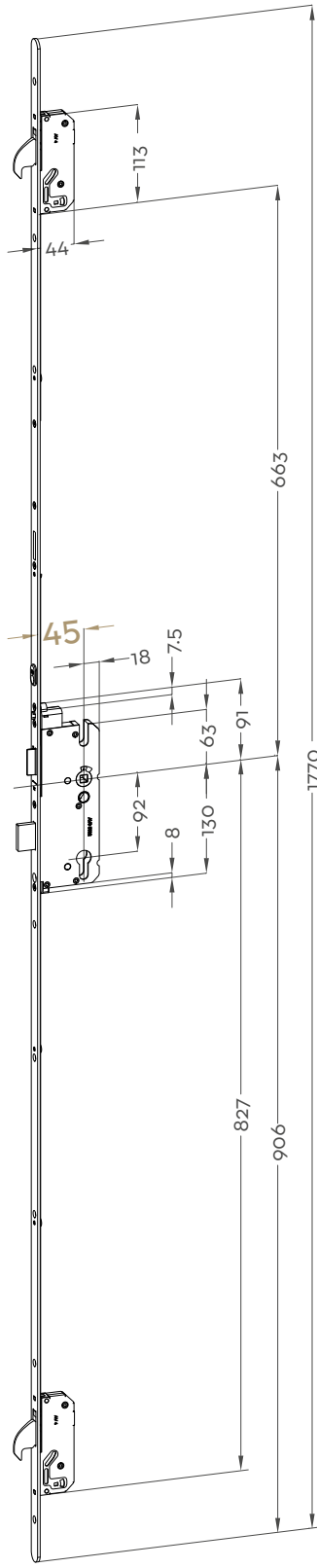
Latch Release - for universal handing



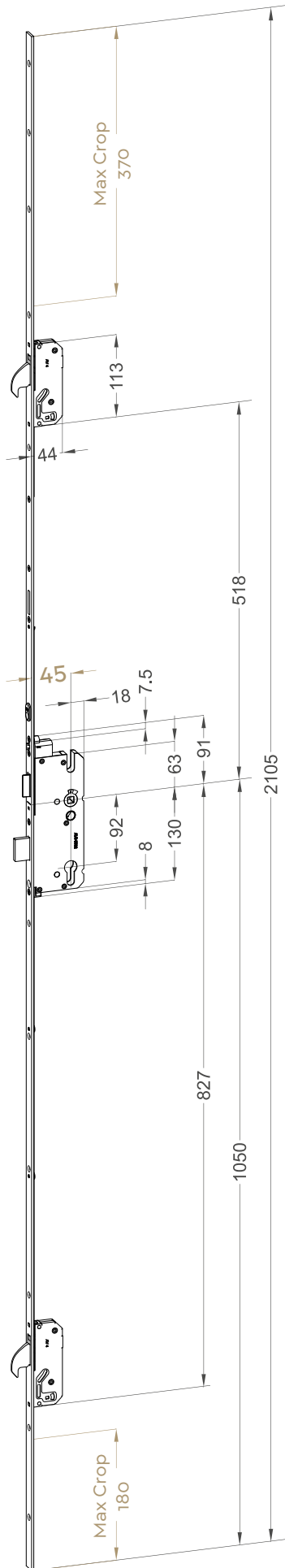
LOCK PART NUMBER	HANDING	BACKSET	FACEPLATE	FINISH	UNITS
ML4120S-45-1-SV	Universal	45mm	20mm square end	SV	Each
ML4120S-55-1-SV	Universal	55mm	20mm square end	SV	Each
ML4120S-45-2-SV	Universal	45mm	20mm square end	SV	Each
ML4120S-55-2-SV	Universal	55mm	20mm square end	SV	Each
ML4126S-35-2-SV	Universal	35mm	16mm square end	SV	Each
ML4126S-45-2-SV	Universal	45mm	16mm square end	SV	Each
ML4120R-45-2-SV	Universal	45mm	20mm radius end	SV	Each
ML4120R-55-2-SV	Universal	55mm	20mm radius end	SV	Each
ML4120R-55-2-MSB	Universal	55mm	20mm radius end	MSB	Each



ML4120R-2



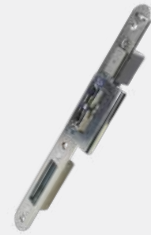
ML4120R-45-2-SV



ML4120S-45-1-SV

Keeps

(for keep details see page 99)



MK48 (1x)
Centre Keep (handed)



MK37-FLU (2x)
Top & Bottom Keep

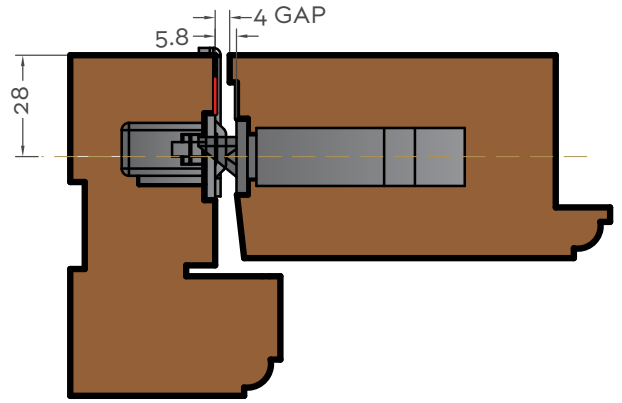
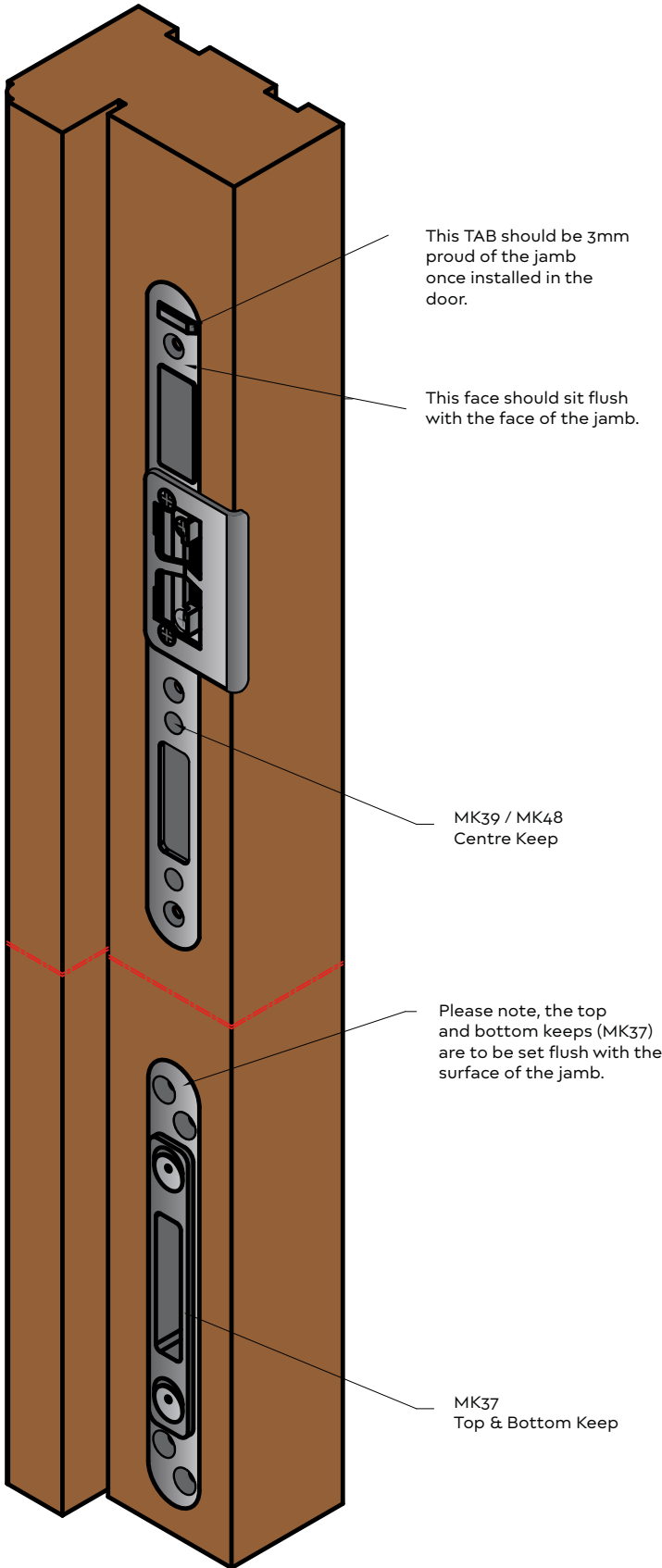


TaFa - Innovative Daytime Latch

When activated the daytime latch on the keep holds the door closed but allows you to push open the door without a key.

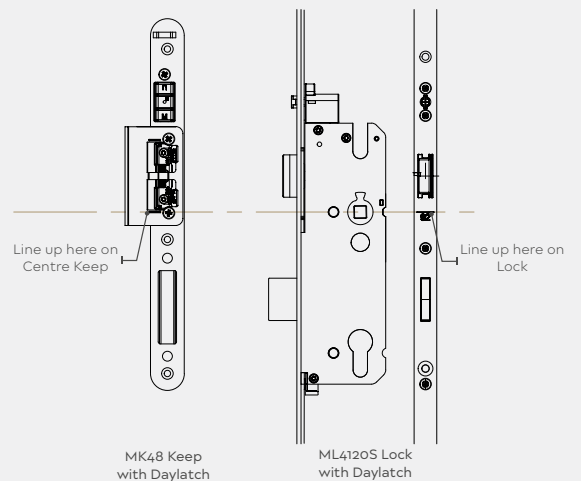
Ideal for shop doors or on private homes when loading and unloading the car.

MK48 & MK37 FITTING GUIDE



- NOTE: Leading edge required to avoid keep clash if door swells
- The critical dimension is that the faceplate of lock & main body of the keep is 4mm apart.
- See our tooling solution on page 277.
- Email sales@coastal-group.com for detailed drawings

AV4 Centre Keep Alignment Guide



MULTIPOINT DOOR LOCKS

Single Doors - Stable Doors

Purpose made multipoint locking system for stable doors. Includes two separate locks without the need to use a mismatched combination of other locks.



Single Door - Stable Door
Non-Interlocking

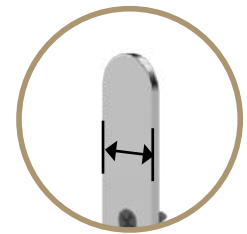


Single Door - Stable Door
Interlocking



Single Door - Stable Door Non-Interlocking

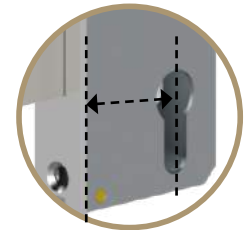
- Purpose made Winkhaus multipoint door lock for stable doors.
- Tapered locking hookbolt provide excellent security, weathersealing and ease of operation.
- Designed with maximum strength in the middle of the door.
- High performance sprung centre gearbox tested to 100,000 cycles.
- 'Secured by Design' accredited, SBD license held by Winkhaus.
- Lever operated top lock.
- Key operated bottom lock fitted with a roller latch for convenient ease of use.
- ML90U and ML90L need to be ordered together to make up the stable door set.



Radius End
20mm Faceplate



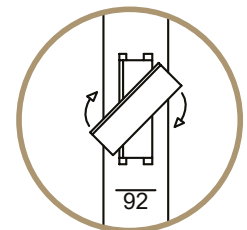
Hookbolts



45mm Backset



Roller Latch



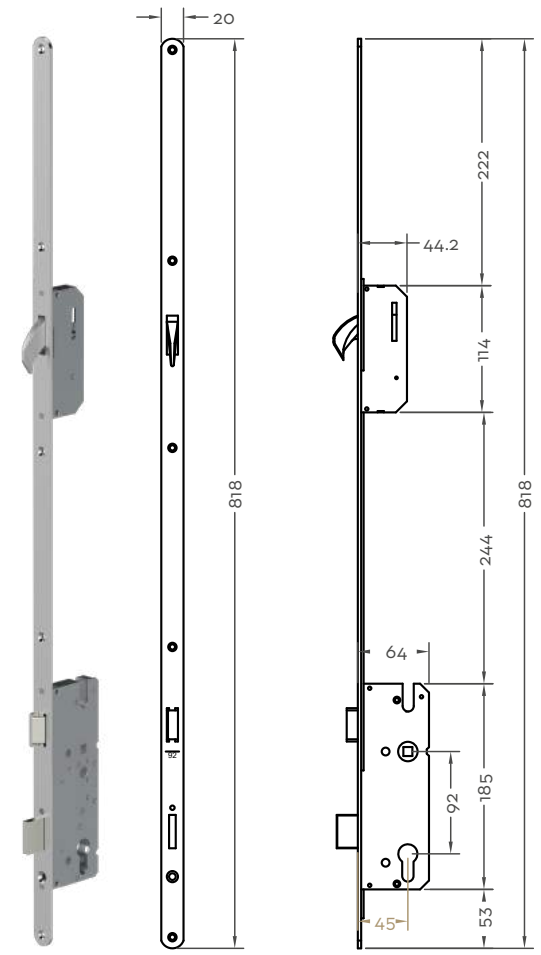
Latch Release - for
universal handing

LOCK PART NUMBER	HANDING	BACKSET	FACEPLATE	FINISH	UNITS
ML90U-45-SV	Universal	45mm	20mm radius end	SV	Each
ML90L-45-SV	Universal	45mm	20mm radius end	SV	Each



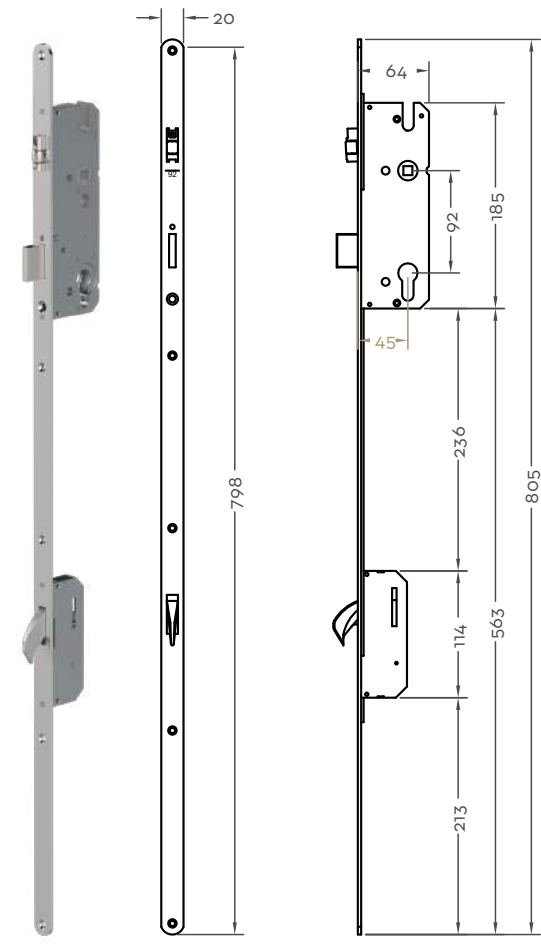
Tested to
100,000 Cycles





ML90U

ML90U-45-SV



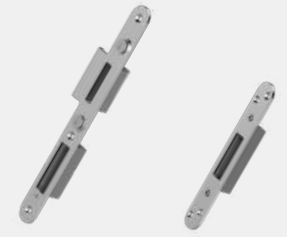
ML90L

ML90L-45-SV

Keep Options

(for keep details see page 100 - 101)

Standard Keeps



MK9 (2x)
Centre Keep
(handed)

MK7-FLU (2x)
Top & Bottom
Keep

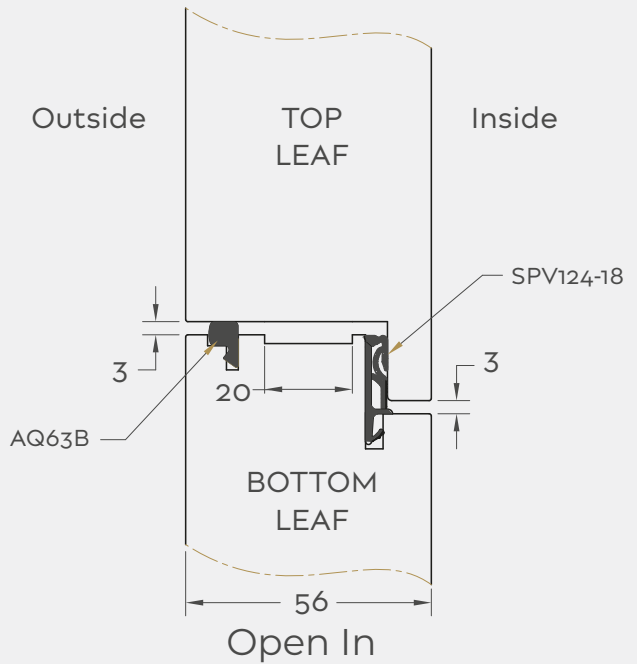
Premium Keeps



MK9-FTB (2x)
Centre Keep
(non-handed)

MK7-FTB (2x)
Top & Bottom
Keep

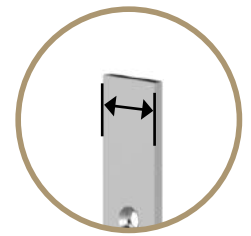
ML90 Recommended Meeting Stile



Email sales@coastal-group.com for detailed drawings.

Single Door - Stable Door Interlocking

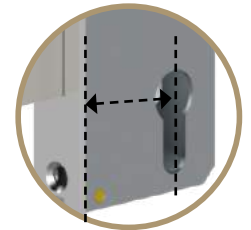
- Purpose made Winkhaus multipoint door lock for stable doors.
- Tapered locking hookbolt provide excellent security, weathersealing and ease of operation.
- Designed with maximum strength in middle of door.
- High performance sprung centre gearbox tested to 100,000 cycles.
- 'Secured by Design' accredited, SBD license held by Winkhaus.
- Lever operated top lock.
- Key operated bottom lock fitted with a roller latch for convenience and ease of use.
- Higher handle point on the top lock to avoid clashing with the door drip detail.
- User-friendly adjustable roller ball design on the lower leaf can hold the door in place without having to operate the cylinder.
- Interlocking feature provides extra security and allows sashes to be opened together as one unit, or the top sash can be opened whilst the bottom remains locked.
- Longer faceplate to assist with taller door sets and flexibility of door split.



Square End
20mm Faceplate



Hookbolts



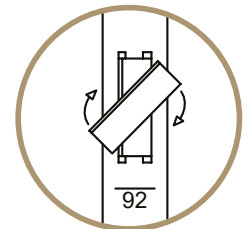
45mm Backset



Roller Latch



Interlocking



Latch Release - for
universal handing



Ideal for use
with ACCOYA

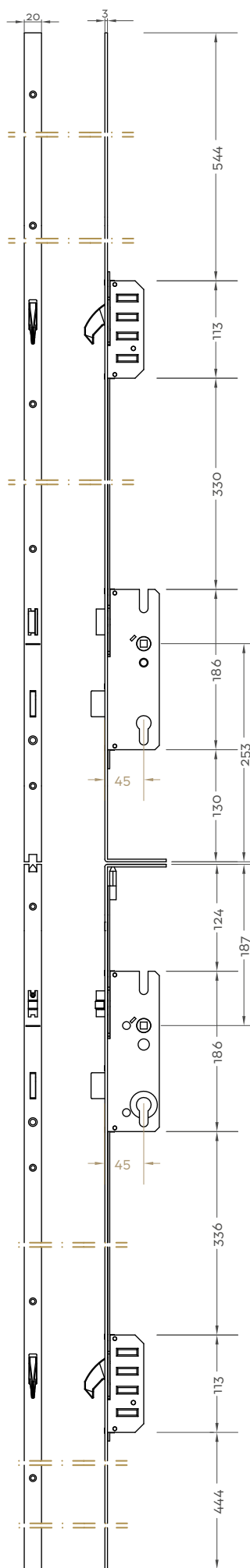


Tested to
100,000 Cycles

LOCK PART NUMBER	HANDING	BACKSET	FACEPLATE	FINISH	UNITS
ML95-45-SV	Universal	45mm	20mm square end	SV	Each



ML95



ML95-45-SV

Keep Options

(for keep details see page 100 - 101)

Standard Keeps



MK9 (2x)
Centre Keep
(handed)



MK7-FLU (2x)
Top & Bottom
Keep

Premium Keeps

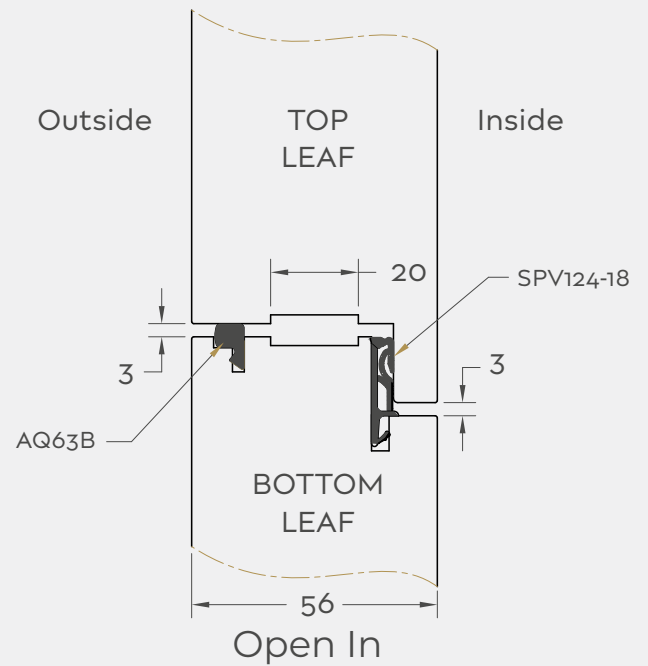


MK9-FTB (2x)
Centre Keep
(non-handed)



MK7-FTB (2x)
Top & Bottom
Keep

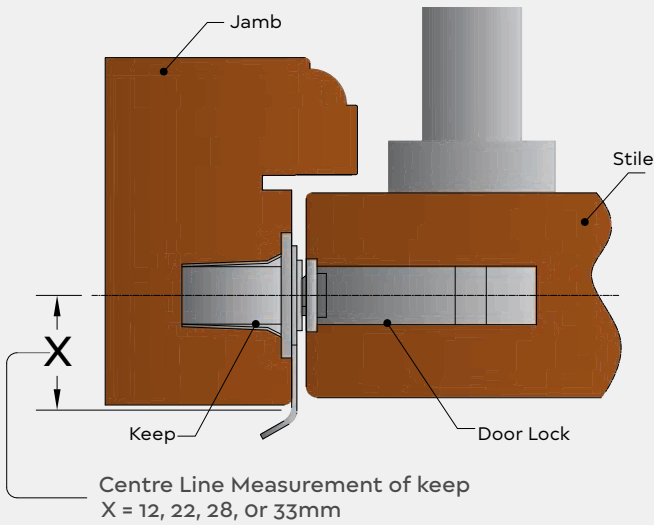
ML95 Recommended Meeting Stile



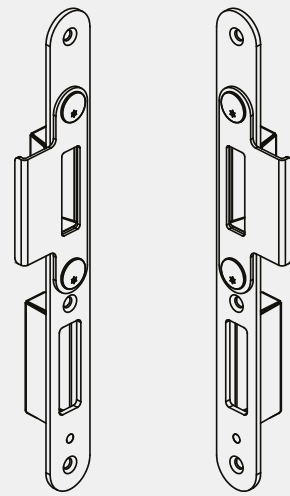
Email sales@coastal-group.com
for detailed drawings.

MULTIPOINT DOOR LOCKS

Single Door Keeps & Accessories



Keep Handing

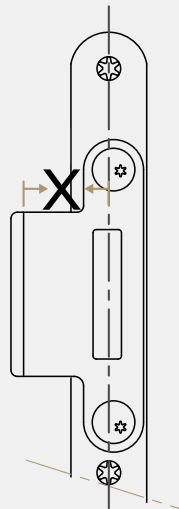


Left Hand

Right Hand

Keep Centre Line

Keep Centre Line is measured as per the 'X' dimension on diagrams



20mm Wide Faceplate Extension Bar

- 2100mm long.
- Used to cover routed groove in instances where doors are taller than the multipoint lock faceplate.

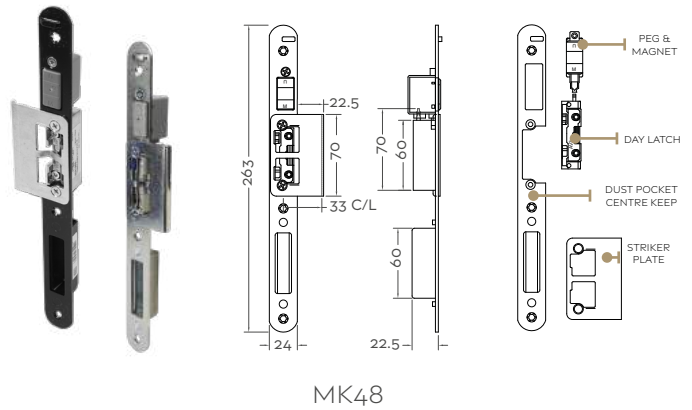


PART NUMBER	PRODUCT DESCRIPTION	FINISH	UNITS
ML-FXE-2100-SV	20mm wide faceplate extension bar	SV	Each

Daytime Latch Keeps

MK48

- Daylatch Surface Adjustable Keeps (Complete).
- Comes complete with MK39-DAY (Daylatch switch) and MK39-MAG (magnet) for activating the ML3120 and ML480 premium Winkhaus AV3 autolocks.
- Radius ends for ease of routing in.
- Also available in Matt Black finish.



MK48

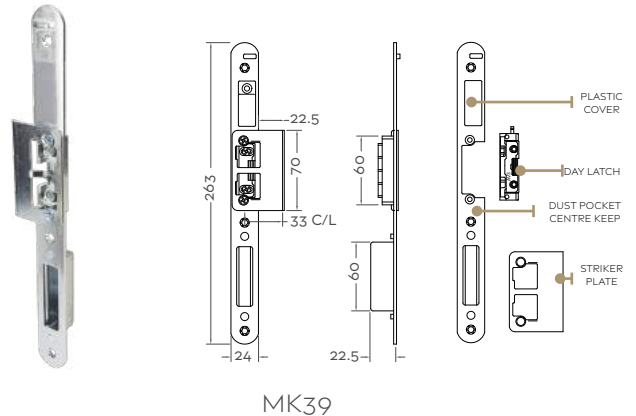
MK39

- Surface Adjustable Keep (with Daylatch option).
- Dust pocket centre keep for ML130R & ML60R-KO key operated multipoint locks.
- Radius ends for ease of routing in.

Note that if you require the Daytime Latch feature for ML130R & ML60R-KO key operated multipoint locks then also need to order the MK39-DAY switch.

MK39-DAY

- Optional Daytime latch switch for MK39 disables the lock but not the latch for convenient access without a key - e.g. when carrying shopping in from the car.



MK39

PART NUMBER	PRODUCT DESCRIPTION	FINISH	UNITS
MK48-28-LH-SV	Fully assembled centre keep, daylatch switch and magnet, 28mm centre line	SV	Each
MK48-28-RH-SV		SV	Each
MK48-33-LH-SV	Fully assembled centre keep, daylatch switch and magnet, 33mm centre line	SV	Each
MK48-33-RH-SV		SV	Each
MK48-33-LH-MSB	Fully assembled centre keep, daylatch switch and magnet, 33mm centre line -	MSB	Each
MK48-33-RH-MSB		MSB	Each
MK39-22-LH-SV	Dust Pocket centre keep, 22mm centre line	SV	Each
MK39-22-RH-SV		SV	Each
MK39-28-LH-SV	Dust Pocket centre keep, 28mm centre line	SV	Each
MK39-28-RH-SV		SV	Each
MK39-DAY-LH	Daytime latch switch	SV	Each
MK39-DAY-RH		SV	Each

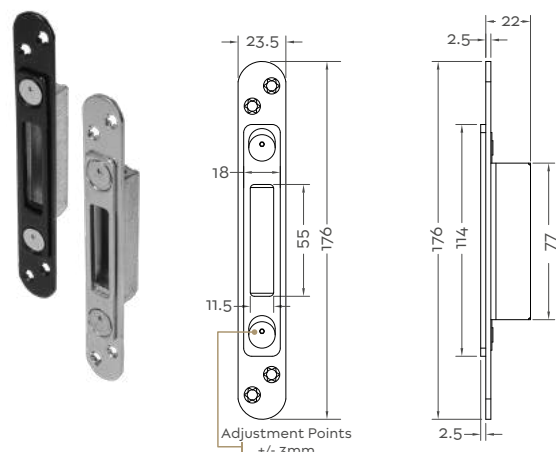


See page 92 for MK48 and MK37 fitting guides.

Keeps for AV4 Top & Bottom Gearbox

- Individually adjustable keep for top and bottom hook bolts on ML4120, ML4126 and ML580 Winkhaus AV4 autolocks.
- Radius ends for ease of routing in.

PART NUMBER	PRODUCT DESCRIPTION	FINISH	UNITS
MK37-SV	Flush adjustable hook keep	SV	Each
MK37-MSB		MSB	Each



Keeps for Centre Gearbox

MK9 (STANDARD)

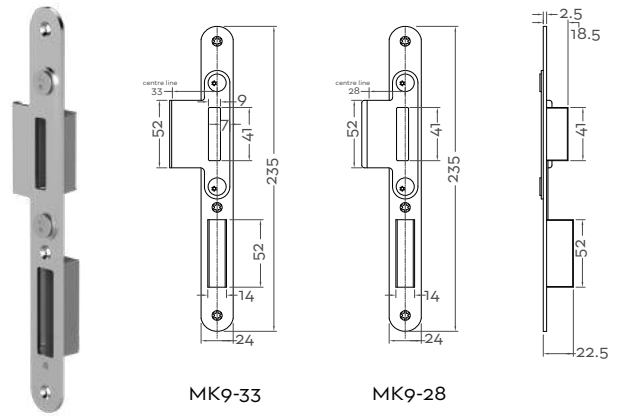
- Surface mounted adjustable keep for centre gearbox of multipoint door lock.
- Radius ends for ease of routing in.

MK9 with Extended Tab (STANDARD)

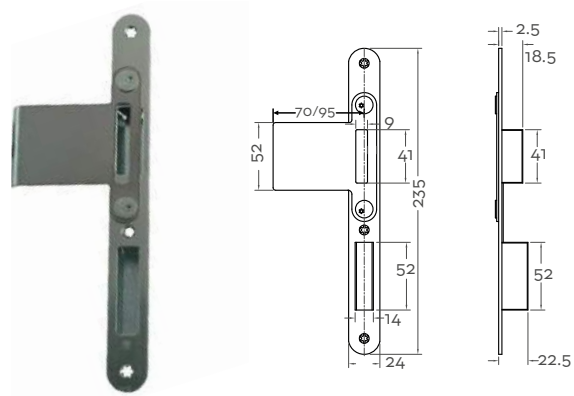
- Primarily used with Bifold Doors but can also be used for thicker doors.

MK9-FTB (PREMIUM)

- Flush adjustable keep for centre gearbox of multipoint door lock.
- Reversible striker plate for universal handing.
- Premium matt silver finish.
- Radius ends for ease of routing in.
- New stainless steel adjustable striker plates available for use with MK9-FTB-22. Striker plate ordered in addition to keep and replaces plate supplied on keep.

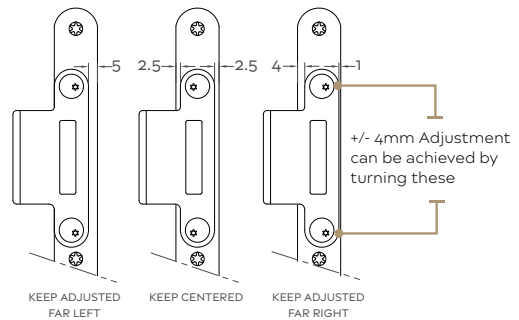


MK9 (handed) left hand shown, (right hand opposite)



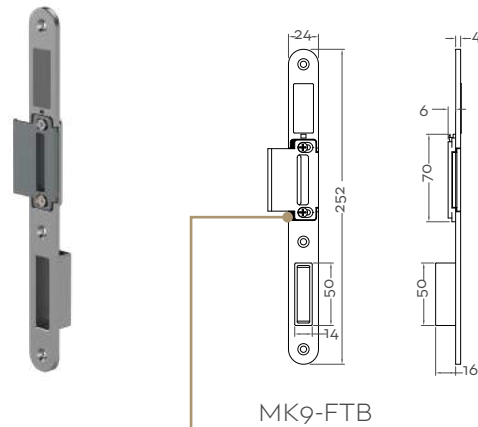
Extended Tab version - MK9-70 shown

PART NUMBER	PRODUCT DESCRIPTION	FINISH	UNITS
MK9-12-LH-SV	Surface mounted centre keep, 12mm centre line	SV	Each
MK9-12-RH-SV			Each
MK9-22-LH-SV	Surface mounted centre keep, 22mm centre line	SV	Each
MK9-22-RH-SV			Each
MK9-28-LH-SV	Surface mounted centre keep, 28mm centre line	SV	Each
MK9-28-RH-SV			Each
MK9-33-LH-SV	Surface mounted centre keep, 33mm centre line	SV	Each
MK9-33-RH-SV			Each
MK9-70-LH-SV	Standard surface adjustable keeps (extended tab) - 70mm centre line	SV	Each
MK9-70-RH-SV			Each
MK9-95-LH-SV	Standard surface adjustable keeps (extended tab) - 95mm centre line	SV	Each
MK9-95-RH-SV			Each
MK9-FTB-22-AAL	Non-handed premium flush centre keep - 22mm centre line	AAL	Each
MK9-FTB-28-AAL			Each
MK9-FTB-30-SP-SSS	MK9-FTB Adjustable striker plate - 30mm centre line	SSS	Each
MK9-FTB-70-SP-SSS	MK9-FTB Adjustable striker plate - 70mm centre line	SSS	Each
MK9-FTB-95-SP-SSS	MK9-FTB Adjustable striker plate - 95mm centre line	SSS	Each



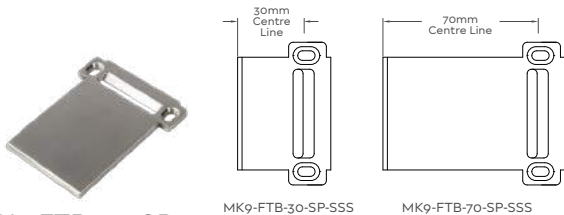
+/- 4.0mm Adjustment

MK9 ADJUSTMENT POINTS



TAB Adjustment +/- 3mm

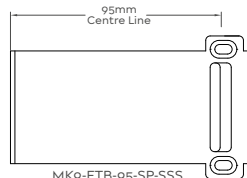
To change the handing undo the screws and turn the tab around



MK9-FTB -70-SP

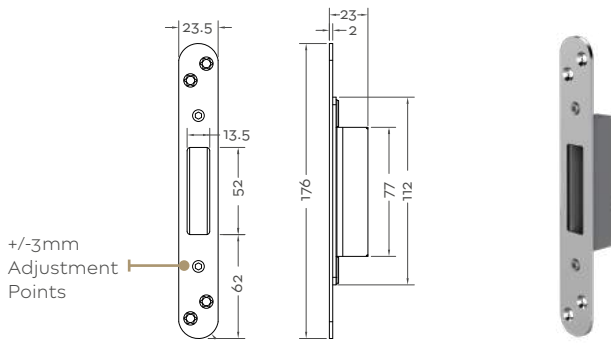
MK9-FTB-30-SP-SSS

MK9-FTB-70-SP-SSS



MK9-FTB-95-SP-SSS

MK9-FTB Adjustable Striker Plate

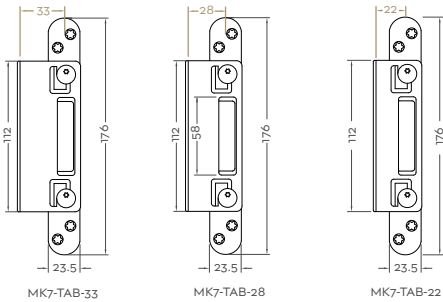


MK7-FLU

Keeps for Top And Bottom Gearbox

MK7-FLU (STANDARD)

- Individual flush adjustable keep for top and bottom gearbox bolts on multipoint locks.
- Used as a shootbolt keep on some multipoint locks.
- Radius ends for ease of routing in.



MK7-TAB-33

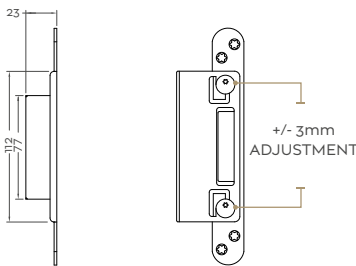
MK7-TAB-28

MK7-TAB-22



MK7-TAB (STANDARD)

- Individual surface mounted adjustable keep for top and bottom gearbox bolts on multipoint lock.
- The extended striker plate tab feature activates the latch triggers on Winkhaus AV2 automatic type multipoint door locks.
- Radius ends for ease of routing in.



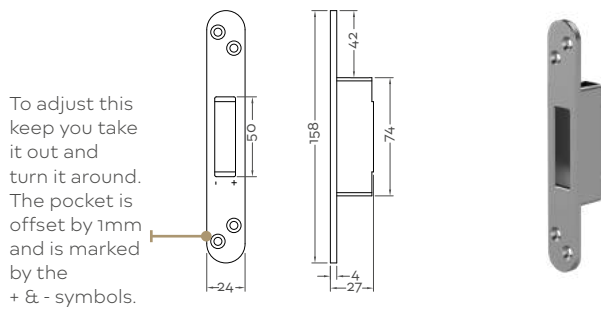
MK7-TAB

MK7-FTB-AAL (PREMIUM)

- Individual flush adjustable keep for top and bottom gearbox bolts on multipoint locks.
- Premium matt silver finish.
- Radius ends for ease of routing in.

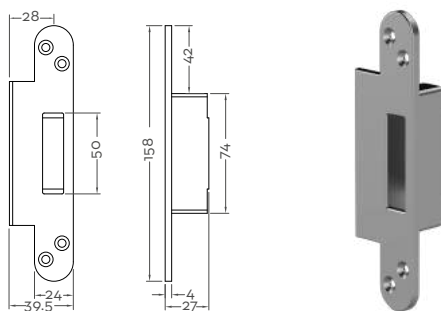
MK7-FTB-TAB (PREMIUM)

- Individual flush keep for top and bottom gearbox bolts on multipoint lock.
- The extended striker plate tab feature activates the latch triggers on standard Winkhaus AV2 automatic type multipoint door locks.
- Premium matt silver finish.
- Radius ends for ease of routing in.



MK7-FTB-AAL

PART NUMBER	PRODUCT DESCRIPTION	FINISH	UNITS
MK7-FLU-SV	Standard flush single keep	SV	Each
MK7-TAB-22-SV	Surface mounted single keep, 22mm centre line	SV	Each
MK7-TAB-28-SV	Surface mounted single keep, 28mm centre line	SV	Each
MK7-TAB-33-SV	Surface mounted single keep, 33mm centre line	SV	Each
MK7-FTB-AAL	Premium flush single keep	AAL	Each
MK7-FTB-TAB-28-AAL	Non-adjust flush single keep, 28mm centre line	AAL	Each



MK7-FTB-TAB

Full Length Surface Adjustable Keep

Keeps are butted together using the locator tab at the rear of the faceplate to form a continuous keep.

You will need to order:
 1 x MK12 and 1 x MK10 (left or right hand) or
 1 x MK26 and 1 x MK10 (left or right hand)
 to make up your keep set per door.

MK10

- Centre keep for use with the MK12 and MK26 top & bottom full length surface adjustable keep.

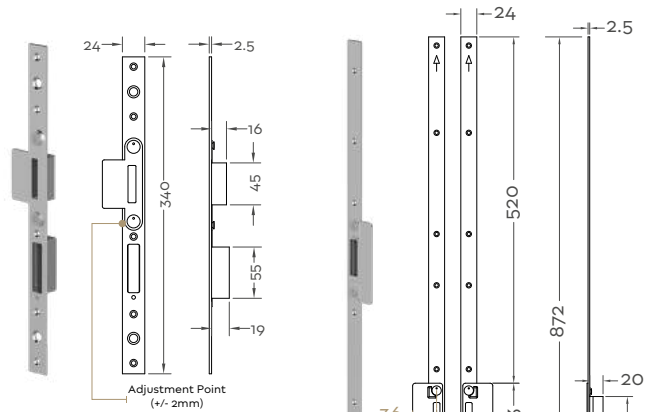
MK12

- Top and bottom keeps for full length surface adjustable keep with striker plate tab.
- Striker plate tab activates the latch triggers on standard Winkhaus AV2 automatic type multipoint door locks.
- NOTE: Only suitable for use with Size 2 locks where distance between centre and top gearboxes is 600mm.

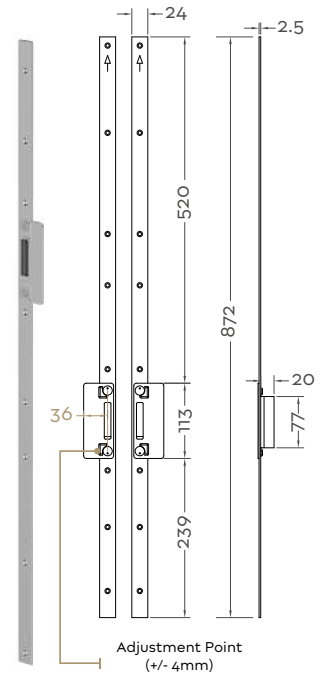
MK26

- Top and bottom keeps for full length surface adjustable keeps.
- MK26-1 is only suitable for use with Size 1 locks where the distance between the centre and top gearboxes is 455mm.
- MK26-2 is only suitable for use with Size 2 locks where the distance between the centre and top gearboxes is 600mm.

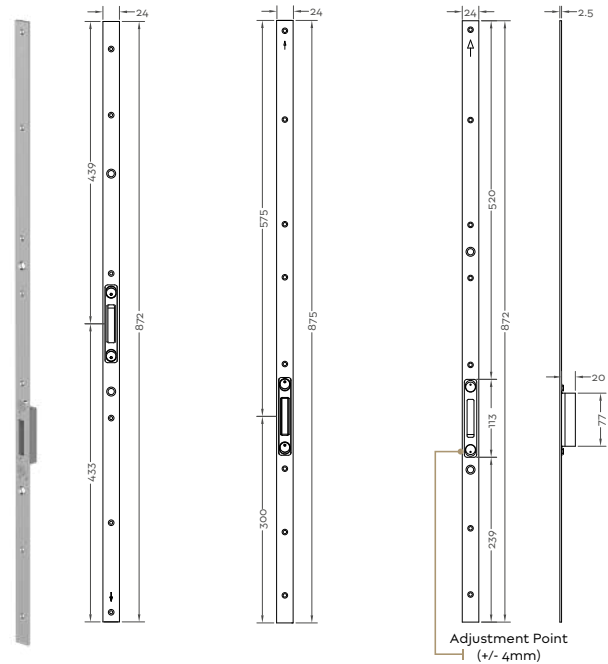
PART NUMBER	PRODUCT DESCRIPTION	FINISH	UNITS
MK10-22-LH-SV	Centre keep for full-length surface adjustable keeps - 22mm centre line	SV	Each
MK10-22-RH-SV	Centre keep for full-length surface adjustable keeps - 22mm centre line	SV	Each
MK10-28-LH-SV	Centre keep for full-length surface adjustable keeps - 28mm centre line	SV	Each
MK10-28-RH-SV	Centre keep for full-length surface adjustable keeps - 28mm centre line	SV	Each
MK10-33-LH-SV	Centre keep for full-length surface adjustable keeps - 33mm centre line	SV	Each
MK10-33-RH-SV	Centre keep for full-length surface adjustable keeps - 33mm centre line	SV	Each
MK12-2-SV	Top and bottom tabbed full length keep, size 2 locks only	SV	Set
MK26-1-SV	Top and bottom full length surface adjustable keep, size 1 locks only	SV	Set
MK26-2-SV	Top and bottom full length surface adjustable keep, size 2 locks only	SV	Set



MK10 Centre Keep
 Left Hand Shown
 (right hand opposite)



MK12 Size 2
 Top & Bottom Keeps



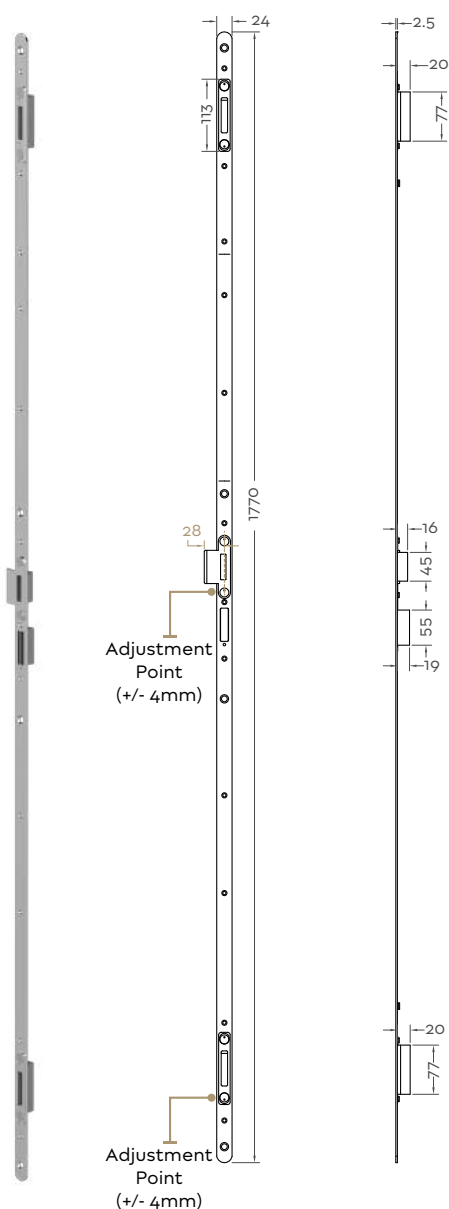
MK26 Size 1 Top Keep MK26 Size 1 Bottom Keep MK26 Size 2 Top & Bottom Keeps

Visit www.coastal-group.com for CAD drawings

One Piece Surface Adjustable Keeps

- Incorporates keeps for top and bottom gearbox and for centre gearbox.
- Radius ends for ease of routing in.
- Only suitable for use with Size 2 (600mm) multipoint door locks.

PART NUMBER	PRODUCT DESCRIPTION	FINISH	UNITS
MK28-2-LH-SV	One piece surface adjustable keeps - 28mm centre line	SV	Each
MK28-2-RH-SV		SV	Each

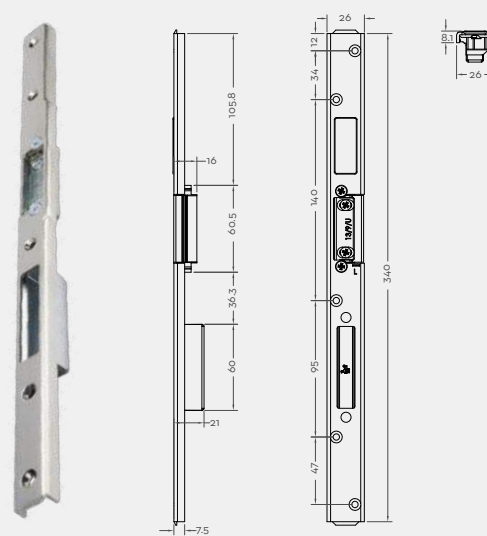


MK28 Left hand shown (right hand opposite)

U-Rail Surface Keeps

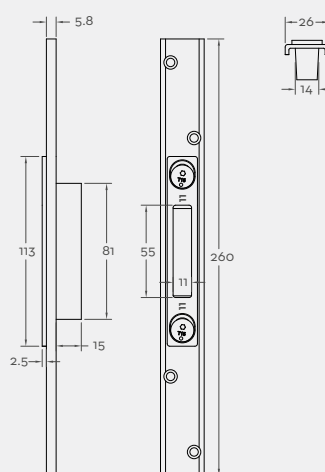
- Great for double rebate or stormproof doors
- Can be used in conjunction with ML70 (page 66) and flushbolts (page 128) for Solo double doors shorter than 1853mm.
- 26mm U-Rail for a surface fit.
- Note cannot be used with Av4 autolock.
- You will need to order:
1 x MKU9 (left or right hand) and 2 x MKU7 to make up your keep set per door.

PART NUMBER	PRODUCT DESCRIPTION	FINISH	UNITS
MKU9-LH-U26-13-SV	U-Rail surface centre keep	SV	Each
MKU9-RH-U26-13-SV		SV	Each
MKU7-U26-13-SV	Adjustable single pocket U-Rail keep	SV	Set



MKU9

Right Hand Shown (right hand opposite)



MKU7

Top & Bottom Keeps

MULTIPOINT DOOR LOCKS

Double Doors - Lever Operated

Lift the door handle to engage the locking mechanism.



Double Doors - Twin Handle (Klone)
FGTE Slave Lock
Shootbolt on Slave only &
Shootbolt on Slave & Master

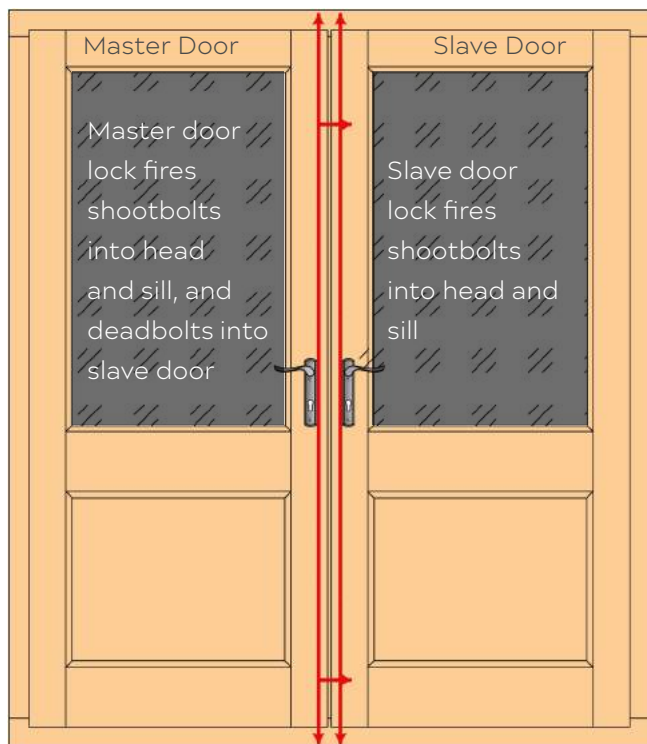


Double Doors - Single Handle (Solo)
FAB Slave Lock

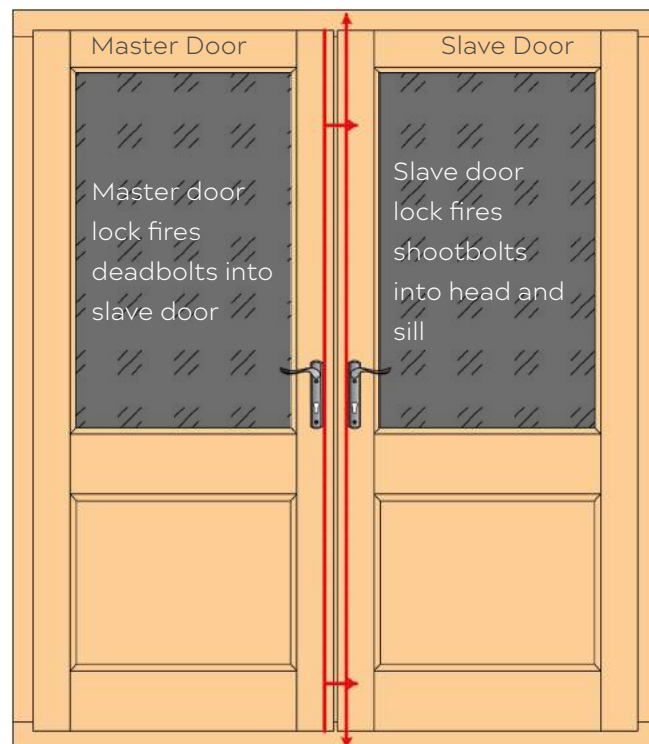


Difference between Double Doors - Twin Handle (Klone)

Shootbolt on Slave & Master Door and Shootbolt on Slave Door Only



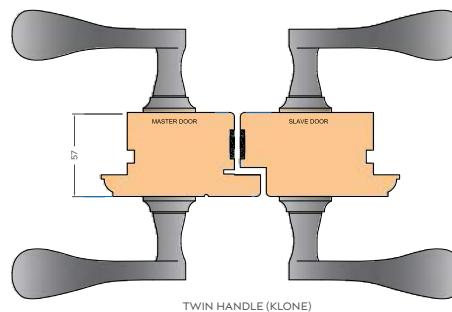
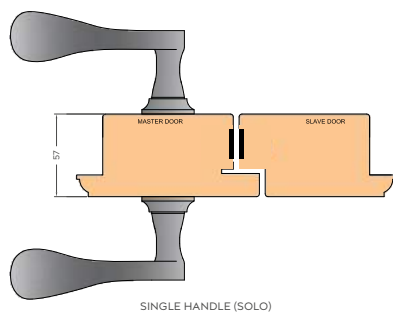
Double Doors - Twin Handle (Klone)
Shootbolt on Slave & Master Door



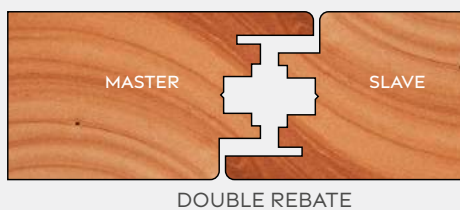
Double Doors - Twin Handle (Klone)
Shootbolt on Slave Door Only

Double Doors Lever Operated

Available in Twin Handle (Klone) or Single Handle (Solo)

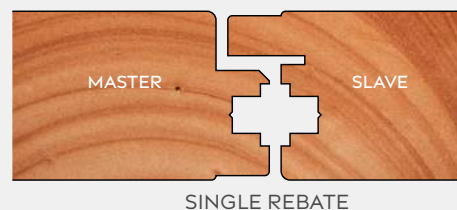


Double Doors Lever Operated - Rebate Options



Benefits of a Double Rebate Door

- Increased weather protection
- Enhances the acoustic properties of your door
- Cylinders are located central to the doors
- Lock hardware detail hidden in rebate



Benefit of a Single Rebate Door

- Traditional looking stiles with shadow rebate to give a balanced look

For more detail about Single and Double rebate see pages 278 - 279.

Double Doors - Twin Handle (Klone) Shootbolt on Slave Door Only FGTE Slave Lock

- Winkhaus multipoint lock for double doors.
- High security locking for double doors without the need for a dummy mullion.
- Lever operated FGTE Slave lock fires shootbolts into the head and sill.
- Lever operated Thunderbolts on master door lock directly into slave door.
- Tested to PAS24 and 'Secured by Design' accredited, SBD license held by Winkhaus.



Twin Tapered Deadbolts Master Lock



ML26S-45 (handed) SLAVE DOOR LOCK

ML60S-45-1 MASTER LOCK

SLAVE DOOR SHOOTBOLTS



MS372-SV Top Shootbolt



MS175-SV Bottom Shootbolt

SHOOTBOLT EXTENSION



MK65-SV 450mm Extension

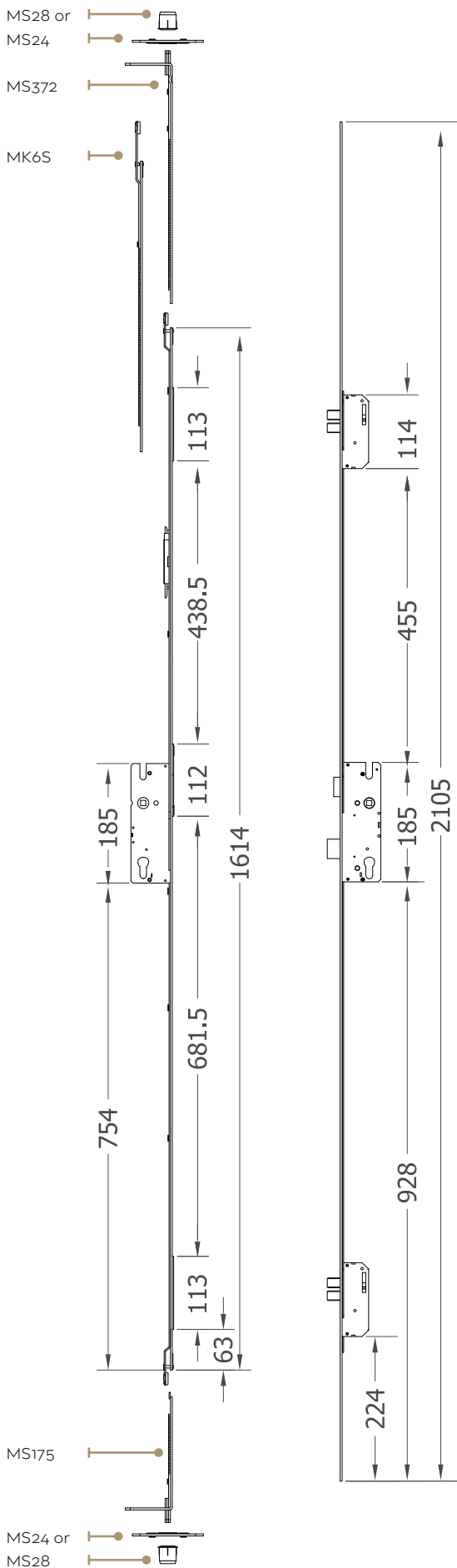
SHOOTBOLT KEEP OPTIONS (Top & Bottom)



MS28-SV Thimble keep



MS24-SV Flat Plate Keep



ML26S-SV SLAVELOCK
& SHOOTBOLTS
COMPONENTS

ML60S-45-1

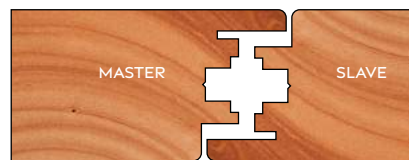


SINGLE REBATE

**Twin Handle (Klone)
Components for Single Rebate**

**MASTER LOCK (ML60S-45-1-SV)
SLAVE LOCK (ML26S-45-LH/RH-22-SV)**

Door Height	Slave Lock Extension MK6S-SV	Slave Door Lock Shootbolts		Keeps (MS24/MS28)
		MS175-SV	MS372-SV	
1825 - 1965mm*	-	2	-	2
1966 - 2160mm	-	1	1	2
2161 - 2610mm	1	1	1	2
2611 - 3060mm	2	1	1	2



DOUBLE REBATE

**Twin Handle (Klone)
Components for Double Rebate**

**MASTER LOCK (ML60S-45-1-SV)
SLAVE LOCK (ML26S-45-LH/RH-12-SV)**

Door Height	Slave Lock Extension MK6S-SV	Slave Door Lock Shootbolts		Keeps (MS24/MS28)
		MS175-SV	MS372-SV	
1825 - 1965mm*	-	2	-	2
1966 - 2160mm	-	1	1	2
2161 - 2610mm	1	1	1	2
2611 - 3060mm	2	1	1	2

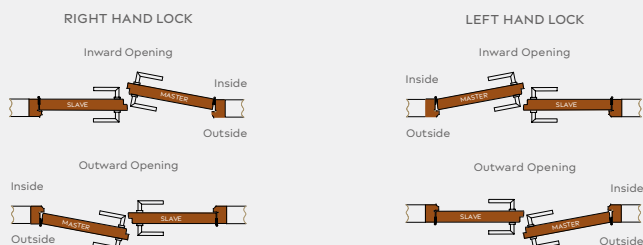
The tables show the components you need based on your door height in addition to 1x ML60 Master Lock and 1x ML26 Slave Lock.

NOTE:

ML26 Slave Lock is handed.

*Every 1mm cropped off the bottom shootbolt reduces spindle height by 1mm starting from 1050mm.

Door Lock Handing



Double Doors - Twin Handle (Klone) Shootbolt on Slave & Master Door FGTE Slave Lock

- Winkhaus multipoint lock for double doors.
- High security locking for double doors without the need for a dummy mullion.
- Lever operated FTGE Slave lock fires shootbolts into the head and sill.
- Lever operated master door lock fires Thunderbolts directly into slave door and shootbolts into head and sill.
- Tested to PAS24 and 'Secured by Design' accredited, SBD license held by Winkhaus.

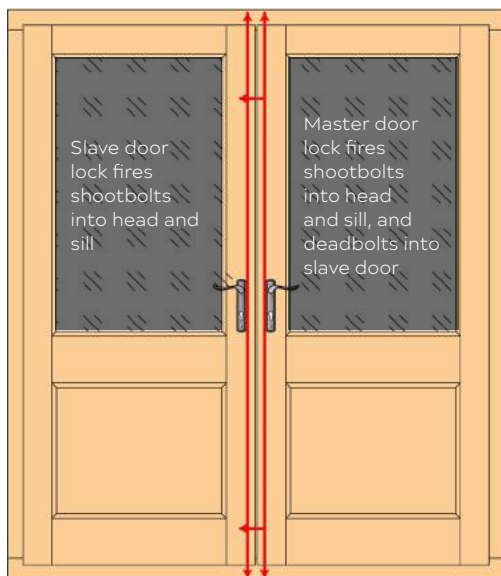


Twin Tapered Deadbolts
Master Lock



Slave Door

Master Door



ML26S-45
(HANDED)
SLAVE DOOR
LOCK

ML24S-45-1
MASTER LOCK

SLAVE DOOR SHOOTBOLTS



MS372-SV
Top Shootbolt



MS175-SV
Bottom Shootbolt

SHOOTBOLT EXTENSIONS



MK6S-SV
450mm Slave Door
Shootbolt Extension

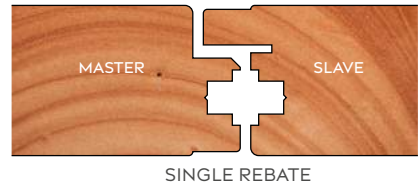
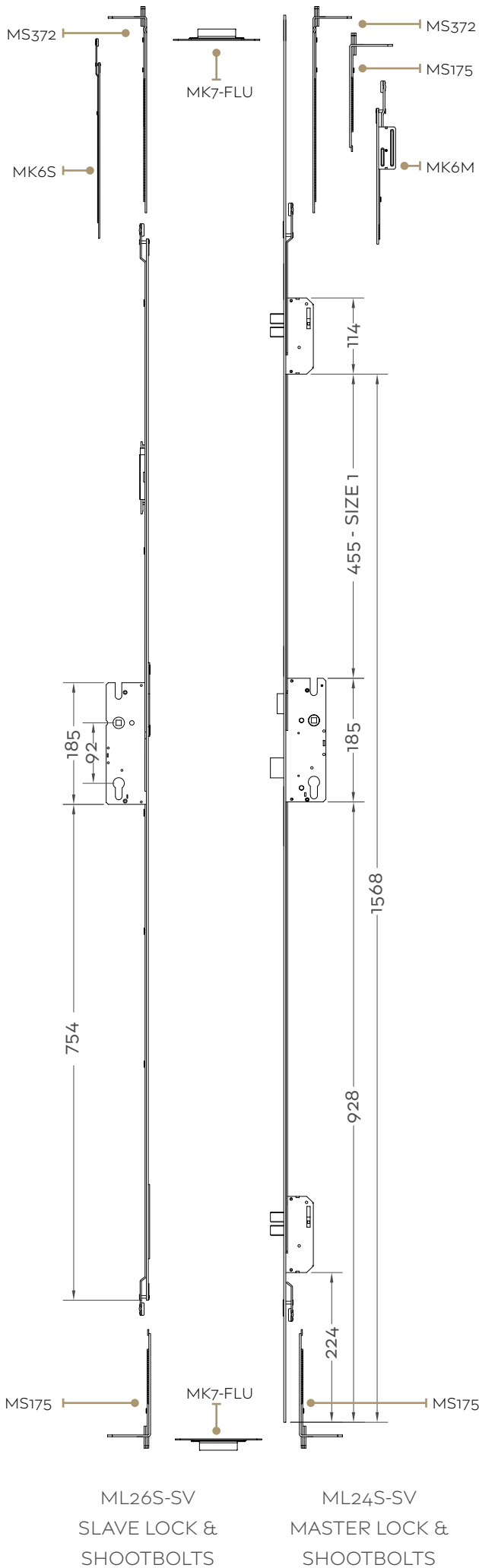


MK6M-SV
225mm Reverse
Extension for
Master Lock

SHOOTBOLT KEEP



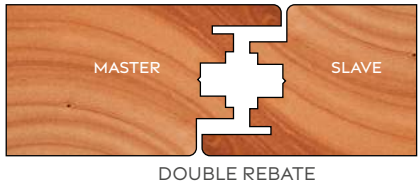
MK7-FLU
Top & Bottom Keep



**Twin Handle (Klone)
Components for Single Rebate**

**MASTER LOCK (ML24S-45-1-SV)
SLAVE LOCK (ML26S-45-LH/RH-22-SV)**

Door Height	Lock Extension		Shootbolts				MK7-FLU Keep
	MK6M (Master)	MK6S (Slave)	MS175		MS372		
			MASTER	SLAVE	MASTER	SLAVE	
2110 - 2180mm	1	-	2	1	-	1	2
2181 - 2380mm	1	1	1	1	1	1	2
2381 - 2830mm	1	3	1	1	1	1	2
2831 - 3060mm	1	4	1	1	1	1	2



**Twin Handle (Klone)
Components for Double Rebate**

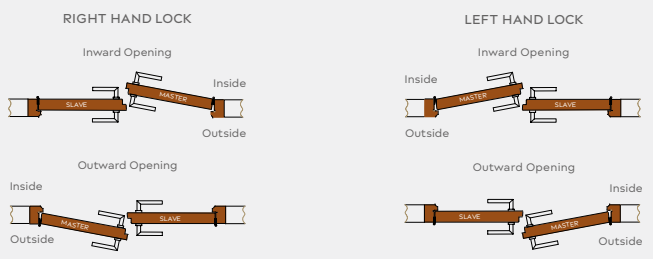
**MASTER LOCK (ML24S-45-1-SV)
SLAVE LOCK (ML26S-45-LH/RH-12-SV)**

Door Height	Lock Extensions		Lock Shootbolts				MK7-FLU Keep
	MK6M (Master)	MK6S (Slave)	MS175		MS372		
			MASTER	SLAVE	MASTER	SLAVE	
2110 - 2180mm	1	-	2	1	-	1	2
2181 - 2380mm	1	1	1	1	1	1	2
2381 - 2830mm	1	3	1	1	1	1	2
2831 - 3060mm	1	4	1	1	1	1	2

The tables show the components you need based on your door height in addition to 1x ML24 Master Lock and 1x ML26 Slave Lock.

NOTE:
ML26 Slave Lock is handed.
*Every 1mm cropped off the bottom shootbolt reduces spindle height by 1mm starting from 1050mm.

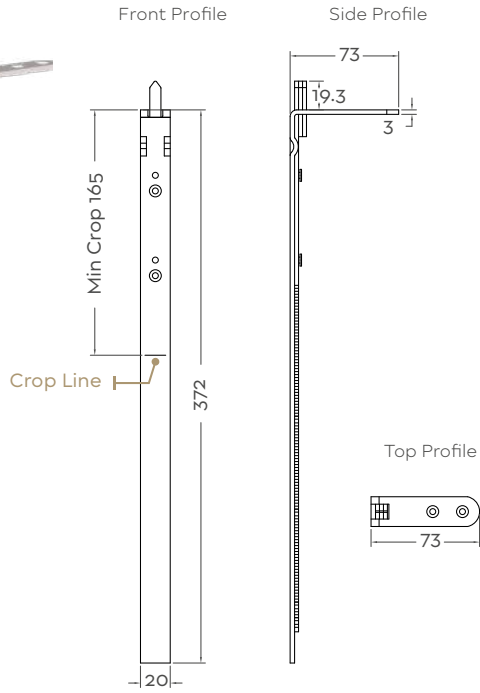
Door Lock Handing



372mm Top Shoot Bolt

- 372mm Top Shoot Bolt to suit the ML26S Slave Door Lock & ML24 Kloné locking system.

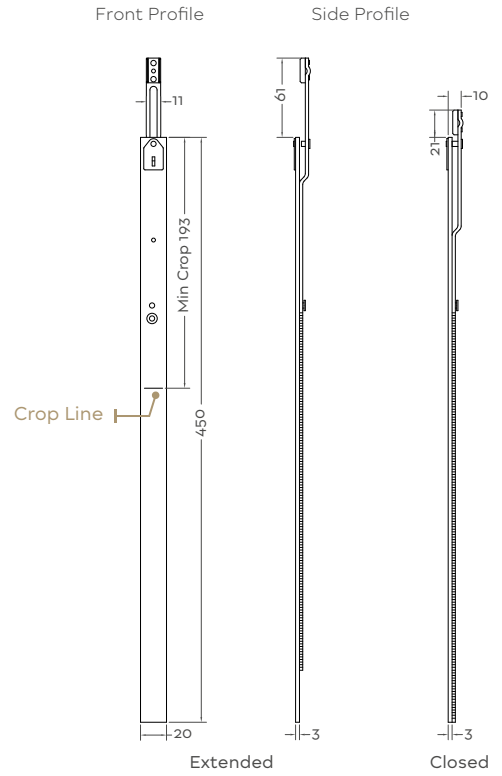
PART NUMBER	PRODUCT DESCRIPTION	FINISH	UNITS
MS372-SV	372mm top shoot bolt	SV	Each



450mm Top Extension

- Standard Top Extension piece to suit the ML26S Slave Door Lock & ML24 Kloné locking system.

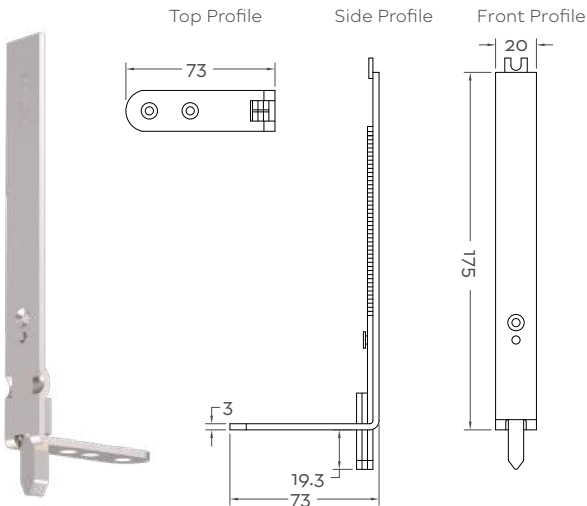
PART NUMBER	PRODUCT DESCRIPTION	FINISH	UNITS
MK6S-SV	450mm top extension	SV	Each



175mm Bottom Shoot Bolt

- 175mm Bottom Shoot Bolt to suit the ML26S Slave Door Lock & ML24 Kloné locking system.

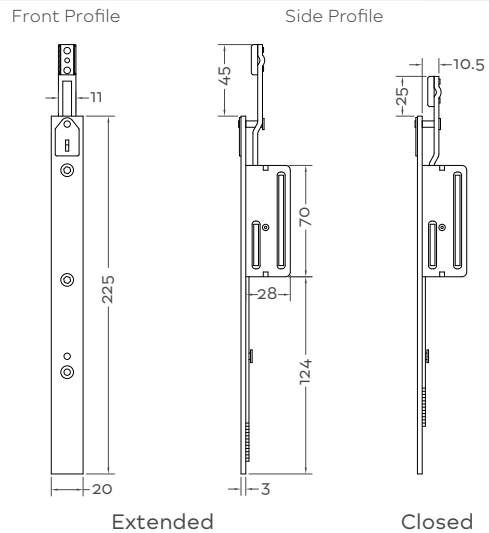
PART NUMBER	PRODUCT DESCRIPTION	FINISH	UNITS
MS175-SV	175mm bottom shoot bolt	SV	Each



225mm Reverse Extension for ML24 Master Lock (KLONE)



PART NUMBER	PRODUCT DESCRIPTION	FINISH	UNITS
MK6M-SV	ML24 master lock reverse extension, 225mm	SV	Each





SOLO™ AND KLONE™

A Better Locking Solution For Your French Or Double Door Sets

Using our Solo (Single Handle) or Klone (Double Handle) multipoint lock sets for your French or Double Doors brings you many benefits including:

- Reduced machining time
- Quicker set up with only one block needed per system
- Slimmer meeting stiles
- Tested to PAS24, 'Secure by Design' approved locking system

As one of our customer's said:

"It's a great system and has brought some real benefits for us, the main ones being that it is easy to use, new block and increases the quality of the finished product. Such has been their positive impact, that we are now using the locking system on all of our French doors."

Solo and Klone Double Door Tooling for Single and Double Rebate

Available to purchase see pages 278 - 279.



Double Doors - Single Handle (Solo) Shootbolt on Slave Door Only FAB Slave Lock

- Winkhaus multipoint lock for double doors.
- High security locking for double doors without the need for a dummy mullion.
- Flush, integrated two-way lever flick switch on FAB Slave lock (U-Rail Keep) throws two heavy duty shootbolts into the head and sill.
- Lever operated master door lock fires locking bolts directly into FAB Slave door lock.
- Lever handle on master door only.
- Ideal for double doors with irregular sash widths.
- Tested to PAS24 and 'Secured by Design' accredited, SBD license held by Winkhaus.



U-rail Keep for Slave Door Lock



Twin Tapered Deadbolts
Master Lock - for Door Height
1853mm - 2567mm



Hookbolts
Master Lock - for Door Height
2469mm - 3066mm



ML30-1 (HANDED) SLAVE DOOR LOCK

To suit door heights
1853 - 2567mm



ML60S-45-1 MASTER LOCK

ML30-3 (HANDED) SLAVE DOOR LOCK

To suit door heights
2496 - 3066mm

ML50S-45-3 MASTER LOCK



SLAVE DOOR SHOOTBOLTS

- MS256-SV
- MS399-SV
- MS541-SV
- MS684-SV
- MS827-SV

Top Shootbolt



MS256 Shown

SHOOTBOLT KEEP OPTIONS (Top & Bottom)



MS28-SV Thimble keep



MS24-SV Flat Plate Keep

Single Handle (Solo) Components Single Rebate & Double Rebate

MASTER LOCK (ML60S-45-1-SV) SLAVE LOCK (ML30-1-LH/RH-SV)

To suit door heights 1853 - 2567mm

Door Height	Slave Door Lock Shootbolt					Keep
	MS256	MS399	MS541	MS684	MS827	
1853 - 1996mm	1	-	-	-	-	2
1997 - 2139mm	-	1	-	-	-	2
2140 - 2281mm	-	-	1	-	-	2
2282 - 2425mm	-	-	-	1	-	2
2426 - 2567mm	-	-	-	-	1	2

Single Handle (Solo) Components Single Rebate & Double Rebate

MASTER LOCK (ML60S-45-2-SV) SLAVE LOCK (ML30-2-LH/RH-SV)

To suit door heights 2001 - 2712mm

Door Height	Slave Door Lock Shootbolt					Keep
	MS256	MS399	MS541	MS684	MS827	
2001 - 2141mm	1	-	-	-	-	2
2142 - 2284mm	-	1	-	-	-	2
2285 - 2426mm	-	-	1	-	-	2
2427 - 2570mm	-	-	-	1	-	2
2571 - 2712mm	-	-	-	-	1	2

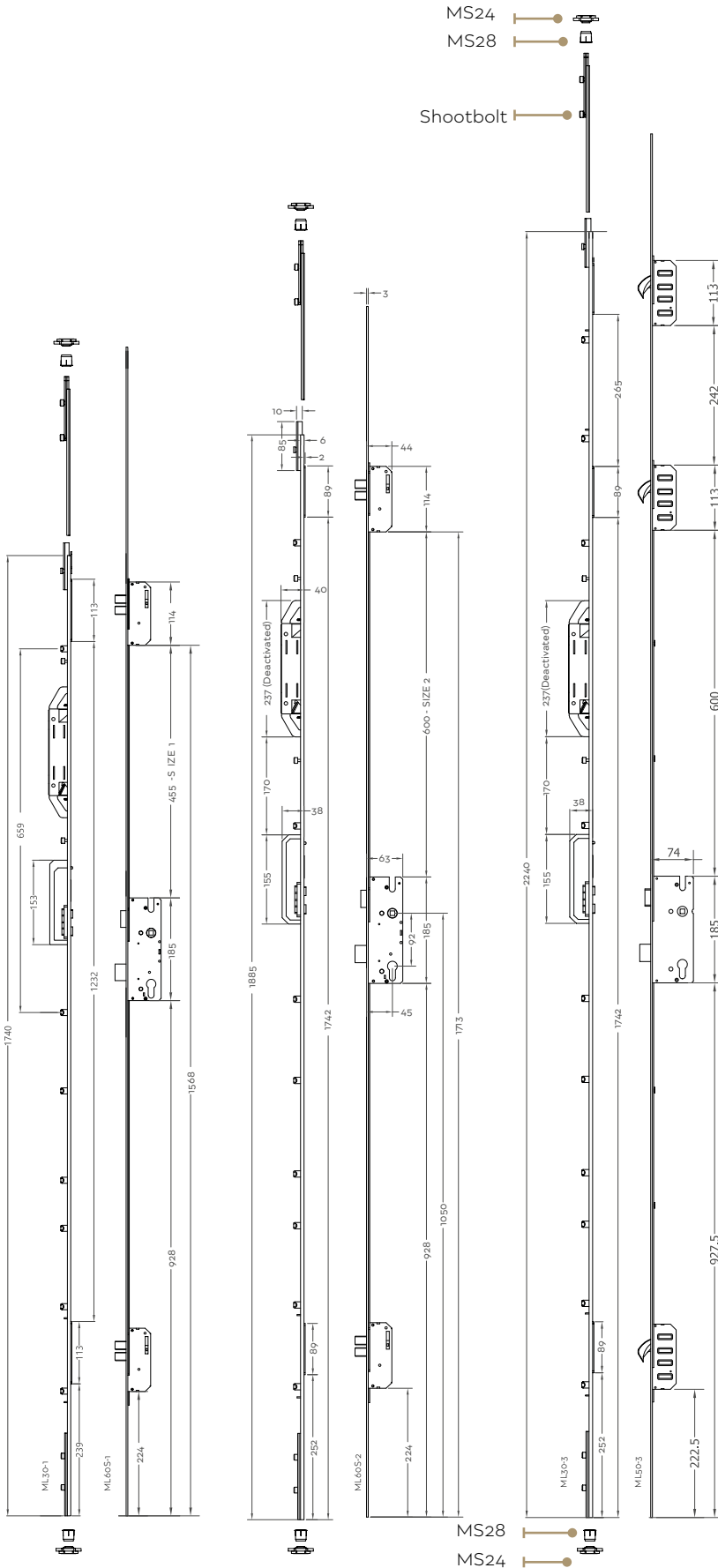
Single Handle (Solo) Components Single Rebate & Double Rebate

MASTER LOCK (ML50S-45-3-SV) SLAVE LOCK (ML30-3-LH/RH-SV)

To suit door heights 2496 - 3066mm

Door Height	Slave Door Lock Shootbolt					Keep
	MS256	MS399	MS541	MS684	MS827	
2496 - 2639mm	-	1	-	-	-	2
2640 - 2781mm	-	-	1	-	-	2
2782 - 2924mm	-	-	-	1	-	2
2925 - 3066mm	-	-	-	-	1	2

The tables show the components you need based on your door height in addition to 1x ML60S/ML50S Master Lock and 1x ML30 Slave Lock

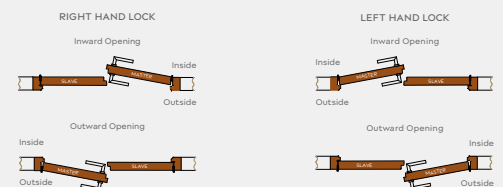


ML30-1
SLAVE LOCK &
SHOOTBOLTS/
ML60S-1
MASTER LOCK

ML30-2
SLAVE LOCK &
SHOOTBOLTS/
ML60S-2
MASTER LOCK

ML30-3
SLAVE LOCK &
SHOOTBOLTS/
ML50S-3
MASTER LOCK

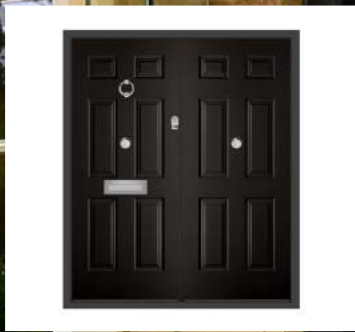
Door Lock Handing



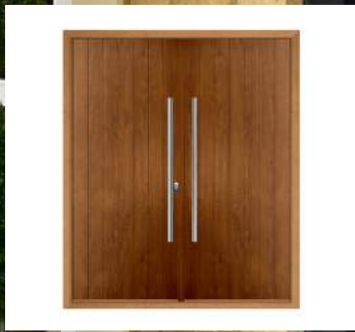
MULTIPOINT DOOR LOCKS

Double Doors - Slam Shut Automatic Locking

Locking bolts automatically fire as soon as the door is closed. (Lever handle not required to activate the lock)



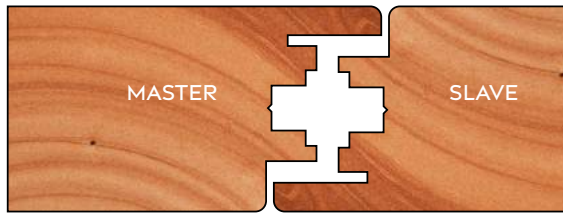
Double Doors (Solo) - Heritage
Autolock AV4 Master Lock
FAB Slave Lock



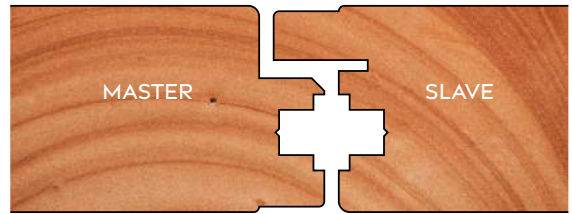
Double Door (Solo) - Vogue (Standard)
Autolock AV4 Master Lock
FAB Slave Lock



Double Doors (Solo) - Slam Shut Autolock Rebate Option



DOUBLE REBATE



SINGLE REBATE

Benefits of a Double Rebate Door

- Increased weather protection
- Enhances the acoustic properties of your door
- Cylinders are located central to the doors
- Lock hardware detail hidden in rebate

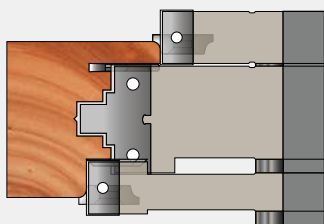
Benefit of a Single Rebate Door

- Traditional looking stiles with shadow rebate to give a balanced look.

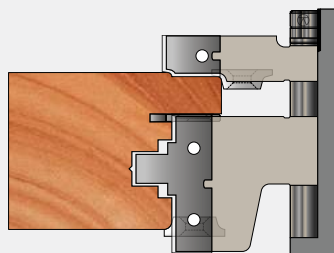


Double Door Tooling for Single or Double Rebate

Available to purchase
see pages 278 - 279.

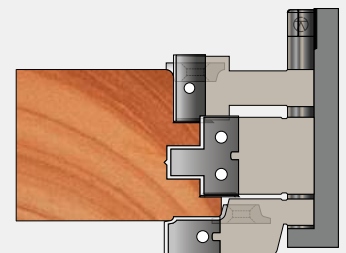


Solo Double Door -
Double Rebate



SOLO MASTER + KLONE SLAVE

Solo Double Door -
Single Rebate



SOLO SLAVE

Double Doors (Solo) - Heritage Slam Shut Autolock AV4 Locking

- Euro cylinder located at shoulder height to create a Heritage look with central latch gearbox for superior compression and security.
- Can be used with either a cylinder pull or a pull handle, escutcheon and thumbturn cylinder.
- Flush, integrated two-way lever flick switch on Winkhaus FAB Slave lock (U-Rail Keep) throws two heavy duty shootbolts into the head and sill.
- Optimised hook design provides the widest installation tolerances, reducing the need to adjust the lock through the life of the door.
- 40% lower operating forces than the AV2.
- Magnet triggers the solid anti-push back hooks. Magnet doesn't activate lock until door is fully closed reducing risk of damage to door frame.
- Tested to PAS24 and 'Secured by Design' accredited, SBD license held by Winkhaus.
- Daytime Latch Keep option - when activated the daytime latch holds the door closed but allows you to push open the door without a key.



U-rail Keep for Slave Door Lock



Solid Hookbolts Master Lock



ML30-2 (HANCED) SLAVE DOOR LOCK

ML580R MASTER LOCK

SLAVE DOOR SHOOTBOLTS



MS256 Shown

- MS256-SV
- MS399-SV
- MS541-SV
- MS684-SV
- MS827-SV
- Top Shootbolt

SHOOTBOLT KEEP OPTIONS (Top & Bottom)



MS28-SV Thimble keep



MS24-SV Flat Plate Keep

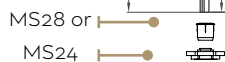
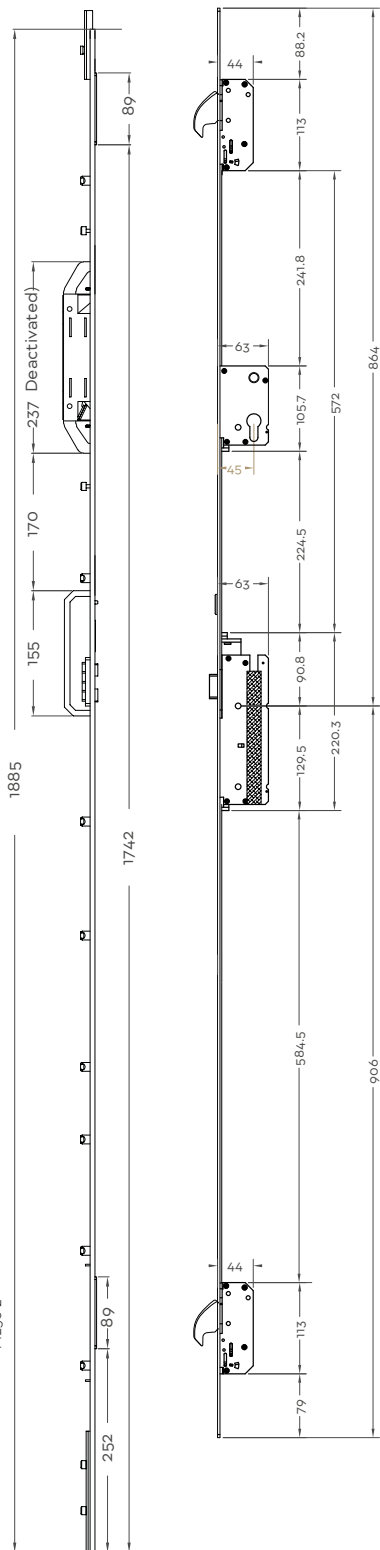
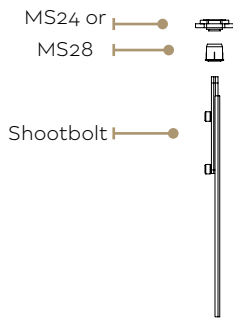
DAYLATCH OPTION



MK311-DAY (handed)

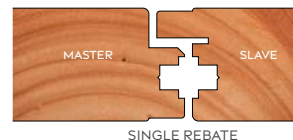
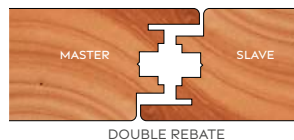


MK39-MAG



ML30-2
SLAVE LOCK &
SHOOTBOLTS

ML580R
(HANDED)
MASTER LOCK



Double Doors Slam shut - Heritage Plus Components Single Rebate & Double Rebate

MASTER LOCK (ML580R-45/55-SV)

SLAVE LOCK (ML30-2-LH/RH-SV)

Door Height	Slave Door Lock Shootbolt					Keep	Daylatch	
	MS256	MS399	MS541	MS684	MS827	MS24 or MS28	MK39-MAG	MK311-DAY (LH/RH)
2001 - 2141mm	1	-	-	-	-	2	1	1
2142 - 2284mm	-	1	-	-	-	2	1	1
2285 - 2426mm	-	-	1	-	-	2	1	1
2427 - 2569mm	-	-	-	1	-	2	1	1
2570 - 2712mm	-	-	-	-	1	2	1	1

The table shows the components you need based on your door height in addition to 1x ML580R Master Lock and 1x ML30 Slave Lock.

NOTE:

ML580R Master Lock is handed and available in 45 or 55mm backset. ML30-2 Slave Lock and MK311-DAY Daylatch are handed.



TaFa - Innovative Daytime Latch

When activated the daytime latch on the keep holds the door closed but allows you to push open the door without a key.

Ideal for shop doors or on private homes when loading and unloading the car.

Double Doors (Solo) - Vogue (Premium) Slam Shut Autolock AV4 Locking

- Euro cylinder located at waist height to create a contemporary look with central latch gearbox for superior compression and security.
- Typically used with a pull handle, escutcheon and thumbturn cylinder. Can also be used with a lever handle to disengage the hookbolts only.
- Flush, integrated two-way lever flick switch on Winkhaus FAB Slave lock (U-Rail Keep) throws two heavy duty shootbolts into the head and sill.
- Optimised hook design provides the widest installation tolerances, reducing the need to adjust the lock through the life of the door.
- 40% lower operating forces than the AV2.
- Magnet triggers the solid anti-push back hooks. Magnet doesn't activate lock until door is fully closed reducing risk of damage to door frame.
- Tested to PAS24 and 'Secured by Design' accredited, SBD license held by Winkhaus.
- Daytime Latch Keep option - when activated the daytime latch holds the door closed but allows you to push open the door without a key.



U-rail Keep for Slave Door Lock



Solid Hookbolts Master Lock



ML30 (HANDED) SLAVE DOOR LOCK

ML4120S MASTER LOCK

SLAVE DOOR SHOOTBOLTS



MS256 Shown

- MS256-SV
- MS399-SV
- MS541-SV
- MS684-SV
- MS827-SV
- Top Shootbolt

SHOOTBOLT KEEP OPTIONS (Top & Bottom)



MS28-SV Thimble keep



MS24-SV Flat Plate Keep

DAYLATCH OPTION



MK311-DAY (handed)

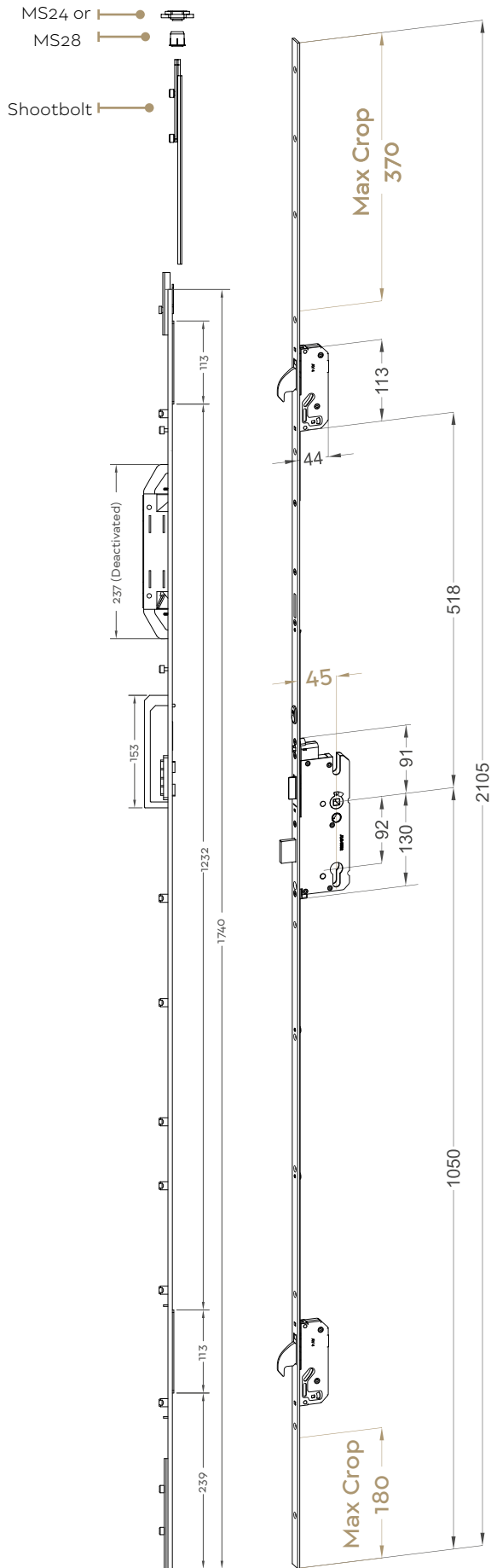





MK39-MAG

STRIKER PLATE OPTION



ML30-TAB

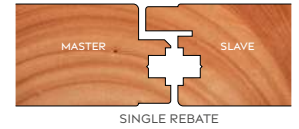


- MS24 or 
- MS28 
- Shootbolt 

- MS28 or 
- MS24 

ML30-1
SLAVE LOCK &
SHOOTBOLTS

ML4120S
MASTER LOCK



Double Doors Slamshut - Vogue Premium Components Single Rebate & Double Rebate

MASTER LOCK (ML4120S-45-1-SV)
SLAVE LOCK (ML30-1-LH/RH-SV)

Door Height	Slave Door Lock Shootbolt					Keep	Daylatch	
	MS256	MS399	MS541	MS684	MS827	MS24 or MS28	MK39-MAG	MK311-DAY (LH/RH)
1853 - 1996mm	1	-	-	-	-	2	1	1
1997 - 2139mm	-	1	-	-	-	2	1	1
2140 - 2281mm	-	-	1	-	-	2	1	1
2282 - 2425mm	-	-	-	1	-	2	1	1
2426 - 2567mm	-	-	-	-	1	2	1	1

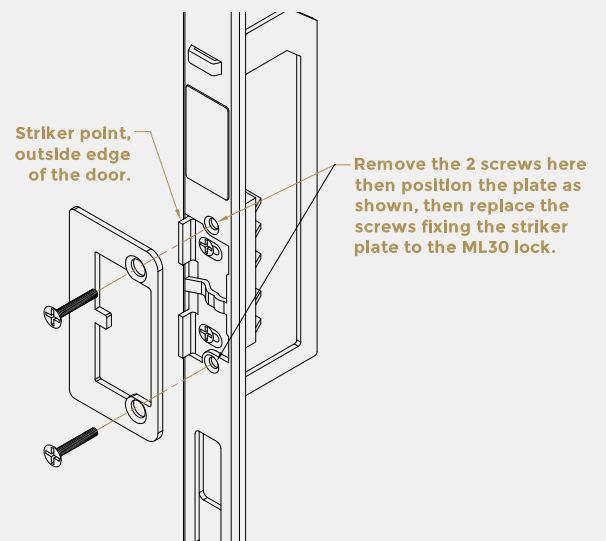
The table shows the components you need based on your door height in addition to 1x ML4120S Master Lock and 1x ML30 Slave Lock.

NOTE:

ML4120S Master Lock is available in 45 or 55mm backset.
ML30-1 Slave Lock and MK311-DAY Daylatch are handed.

ML30-TAB

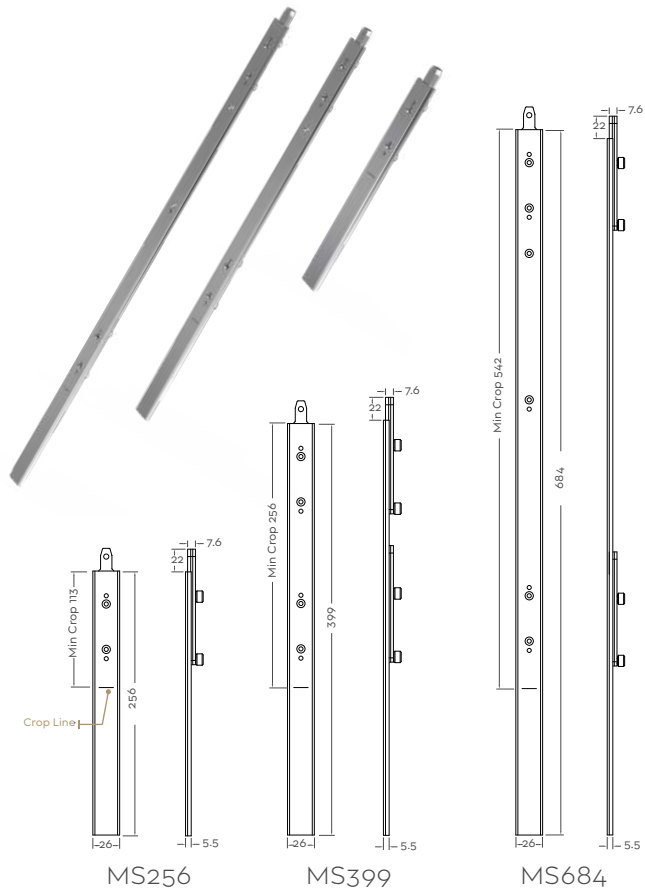
- Used when fitting the ML30 slave lock to non-rebated meeting stiles.
- Can be used to provide a striker plate when ML30 U-Rail is let in flush with edge of slave door/rebate.
- Available in 22, 28 and 33mm centre line.



ML30 Solo Double Door Slave Lock Top Shootbolt

- Shootbolt for attaching to the top end of the ML30 Solo Slave Door Lock to shoot into the head of the door frame.

PART NUMBER	PRODUCT DESCRIPTION	FINISH	UNITS
MS256-SV	ML30 top shootbolt, 113 - 256mm	SV	Each
MS399-SV	ML30 top shootbolt, 256 - 399mm	SV	Each
MS541-SV	ML30 top shootbolt, 399 - 541mm	SV	Each
MS684-SV	ML30 top shootbolt, 542 - 684mm	SV	Each
MS827-SV	ML30 top shootbolt, 685 - 827mm	SV	Each

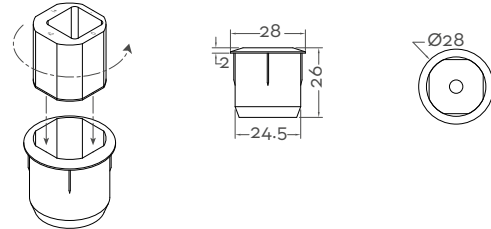


Thimble Shootbolt Keep

- For installing into the door frame head and sill.
- Ideal for multipoint door lock shootbolts.
- +/- 2mm adjustment.



PART NUMBER	PRODUCT DESCRIPTION	FINISH	UNITS
MS28-SV	Thimble shootbolt keep and pocket	SV	Each

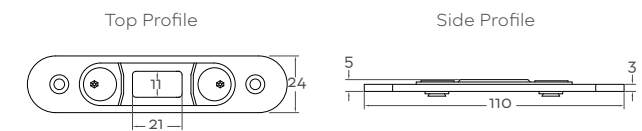


Flat Plate Adjustable Shootbolt Keep

- For installing into the door frame head and sill.
- Ideal for multipoint door lock shootbolts.
- +/- 4mm adjustment.



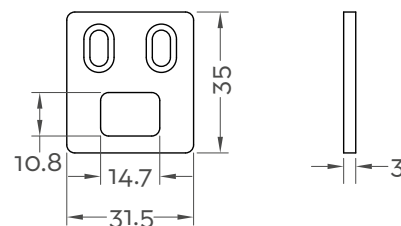
PART NUMBER	PRODUCT DESCRIPTION	FINISH	UNITS
MS24-SV	Flat plate shootbolt keep	SV	Each



Single Shootbolt Keep



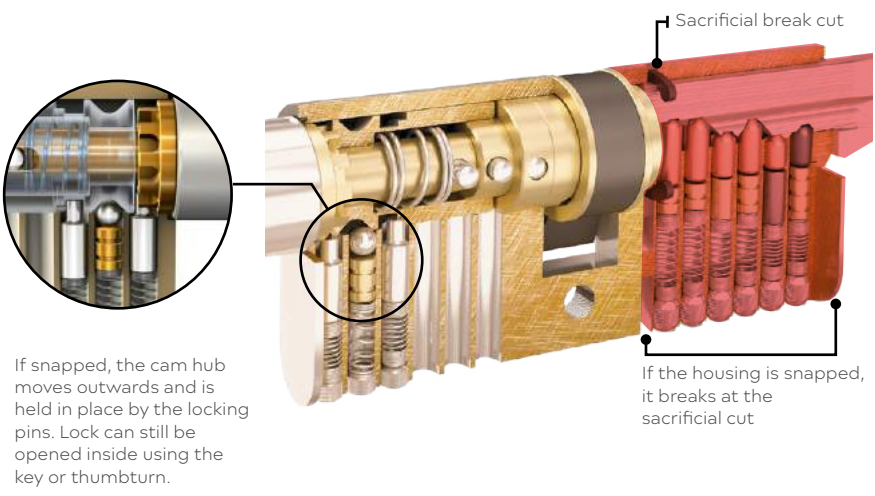
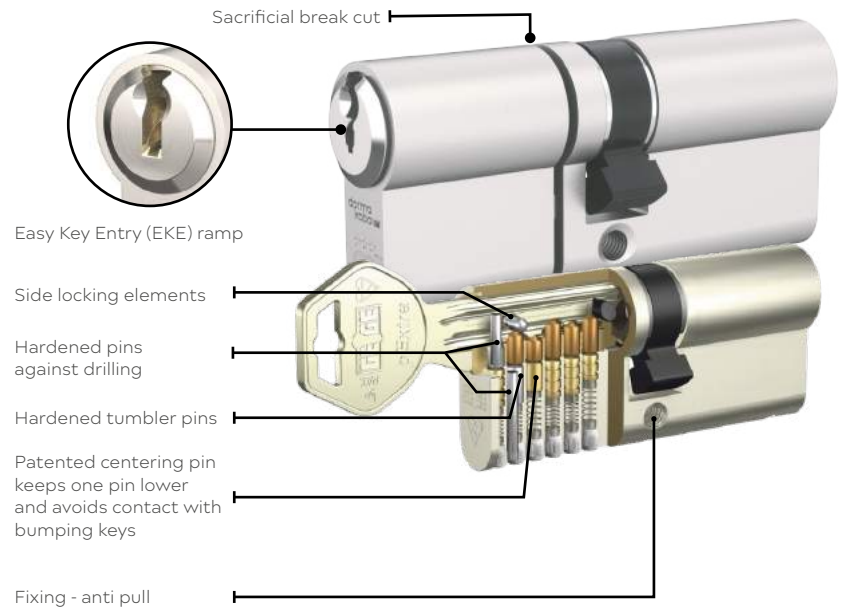
PART NUMBER	PRODUCT DESCRIPTION	FINISH	UNITS
MK3-SV	Single shootbolt keep	SV	Each







Visit www.coastal-group.com for CAD drawings



EURO PROFILE & THUMBTURN CYLINDERS



Features

- Anti-Snap - features a Sacrificial Break Cut and Metal Strengthening Bar. Prevent intruders wrenching the cylinder with grips 
- Anti-Drill - High strength materials and a robust construction withstands prolonged drilling 
- Anti-Pull - Advanced plug extraction protection 
- Anti-pick 
- Anti-Bump - preventing inserting of an illegal key and tapping to release the cam to open the door
- Interlocking Cam - The cams within the cylinder are designed to interlock, providing a greater degree of security
- EKE ramp effortlessly guides the key into the cylinder, ensuring a smooth operation

"Out of all the cylinders we have tested the KABA pExtra Guard is by far the most Secure"
 Senior test engineer - Wintech Engineering

dormakaba pExtra Guard 3 Star Euro Profile Cylinders

- Kitemark approved – TS007 3 Star, Class 6 Security Standard EN 1303, BS 3621.
- Approved to EN 1670 Grade 5 for Corrosion Resistance for use in corrosive environments such as on the coast or in acidic timber.
- 3-star cylinder Secured by Design accredited, SBD license held by dormakaba.
- Patent protected key blanks, preventing illegal key copying.
- Provides 3 Star rating for your door whatever door handle you fit.

dormakaba pExtra Guard 3 Star Euro Profile Double Cylinders (KPD)



KPD3535-KTD-SB

KPD4040-KTD-BKM



dormakaba pExtra Guard 3 Star Euro Profile Thumbturn Cylinders (KPT)



KPT3535-KTD-BKM

KPT4545-KTD-NK

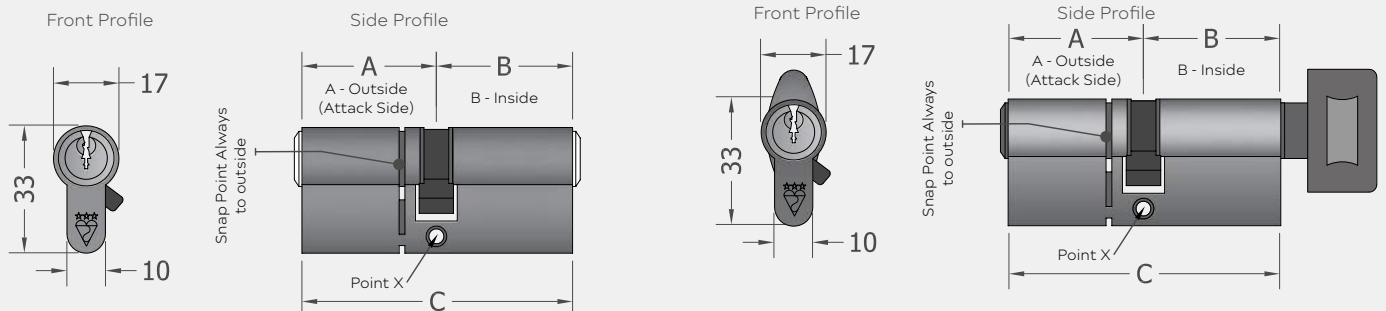


PART NUMBER	PRODUCT DESCRIPTION	FINISH	UNITS
KPD3535-KTD-NK	Double Cylinder	NK	Each
KPD3535-KTD-SB		SB	Each
KPD3535-KTD-BKM		BKM	Each
KPD3545-KTD-NK	Double Cylinder	NK	Each
KPD3545-KTD-SB		SB	
KPD3550-KTD-NK	Double Cylinder	NK	Each
KPD3550-KTD-SB		SB	Each
KPD3550-KTD-BKM		BKM	Each
KPD4040-KTD-NK	Double Cylinder	NK	Each
KPD4040-KTD-SB		SB	Each
KPD4040-KTD-BKM		BKM	Each
KPD4535-KTD-NK	Double Cylinder	NK	Each
KPD4535-KTD-SB		SB	Each
KPD4545-KTD-NK	Double Cylinder	NK	Each
KPD4545-KTD-SB		SB	Each
KPD4545-KTD-BKM		BKM	Each
KPD5035-KTD-NK	Double Cylinder	NK	Each
KPD5035-KTD-SB		SB	Each
KPD5050-KTD-NK	Double Cylinder	NK	Each

PART NUMBER	PRODUCT DESCRIPTION	FINISH	UNITS
KPT3535-KTD-NK	Cylinder & turn	NK	Each
KPT3535-KTD-SB		SB	Each
KPT3535-KTD-BKM		BKM	Each
KPT3545-KTD-NK	Cylinder & turn	NK	Each
KPT3545-KTD-SB		SB	Each
KPT3545-KTD-BKM		BKM	Each
KPT3550-KTD-NK	Cylinder & turn	NK	Each
KPT3550-KTD-SB		SB	Each
KPT3550-KTD-BKM		BKM	Each
KPT4040-KTD-NK	Cylinder & turn	NK	Each
KPT4040-KTD-SB		SB	Each
KPT4040-KTD-BKM		BKM	Each
KPT4535-KTD-NK	Cylinder & turn	NK	Each
KPT4545-KTD-NK	Cylinder & turn	NK	Each
KPT4545-KTD-SB		SB	Each
KPT4545-KTD-BKM		BKM	Each
KPT5035-KTD-NK	Cylinder & turn	NK	Each
KPT5035-KTD-SB		SB	Each

Above cylinders are 'Keyed to Differ'. If you require 'Keyed Alike' or a different size or finish of cylinder to what's listed above, please contact us to discuss your requirements on 01726 871 025 or sales@coastal-group.com.

Euro Cylinder Measurement Guide



Note: Cylinder part numbers explained:

Example: **KPD3535-KTD-NK**

KPD (Double Cylinder) - 35 (Outside / Attack Side Key) - 35 (Inside) - KTD (Keyed to Differ) - NK (Nickel)

Example: **KPT3535-RKA-NK**

KPT (Thumb Turn Cylinder) - 35 (Outside / Attack Side Key) - 35 (Inside Thumb Turn) - RKA (Random Keyed Alike) - NK (Nickel)

Measurement of A + B Should Always = C

ISEO F6 Extra S 1 Star Security Euro Profile Cylinder (GZD/GZT)



- Kitemark Certified to enhanced security performance requirements - BS EN 1303:2005 TS007:2014, 1 star on BSI certificate n. KM 544418.
- 6 pins key biting system in stainless steel.



Anti-snap



Anti-drill



Anti-bump



Anti-pick

1 Star Double Cylinder (GZD)



Double Cylinder



Half Cylinder

1 Star Thumbturn Cylinder (GZT)



Double Cylinder



Half Cylinder

PART NUMBER	PRODUCT DESCRIPTION	FINISH	UNITS
GZD1035-KA-NK	Half cylinder (keyed alike)	NK	Each
GZD1045-KA-NK	Half cylinder (keyed alike)	NK	Each
GZD1045-KA-SB		SB	Each
GZD1045-KTD-NK	Half cylinder (keyed to differ)	NK	Each
GZD2525-KTD-NK	Double cylinder (keyed to differ)	NK	Each
GZD3535-KA-NK	Double cylinder (keyed alike)	NK	Each
GZD3535-KTD-NK	Double cylinder (keyed to differ)	NK	Each
GZD3535-KTD-SB		SB	Each
GZD3545-KA-NK	Double cylinder (keyed alike)	NK	Each
GZD3545-KA-SB		SB	Each
GZD3545-KTD-NK	Double cylinder (keyed to differ)	NK	Each
GZD3545-KTD-SB		SB	Each
GZD3550-KA-NK	Double cylinder (keyed alike)	NK	Each
GZD3550-KA-SB		SB	Each
GZD3550-KTD-NK	Double cylinder (keyed to differ)	NK	Each
GZD4040-KA-NK	Double cylinder (keyed alike)	NK	Each
GZD4040-KA-SB		SB	Each
GZD4040-KTD-NK	Double cylinder (keyed to differ)	NK	Each
GZD4040-KTD-SB		SB	Each
GZD4050-KTD-NK	Double cylinder (keyed to differ)	NK	Each
GZD4545-KA-NK	Double cylinder (keyed alike)	NK	Each
GZD4545-KTD-NK	Double cylinder (keyed to differ)	NK	Each
GZD4545-KTD-SB		SB	Each

PART NUMBER	PRODUCT DESCRIPTION	FINISH	UNITS
GZT1045-KTD-NK	Half cylinder & turn	NK	Each
GZT3030-KTD-NK	Cylinder & turn (keyed to differ)	NK	Each
GZT3535-KA-NK	Cylinder & turn (keyed alike)	NK	Each
GZT3535-KTD-NK	Cylinder & turn (keyed to differ)	NK	Each
GZT3535-KTD-SB		SB	Each
GZT3545-KA-NK	Cylinder & turn (keyed alike)	NK	Each
GZT3545-KTD-NK	Cylinder & turn (keyed to differ)	NK	Each
GZT4040-KA-NK	Cylinder & turn (keyed alike)	NK	Each
GZT4040-KA-SB		SB	Each
GZT4040-KTD-NK	Cylinder & turn (keyed to differ)	NK	Each
GZT4040-KTD-SB		SB	Each
GZT4535-KTD-NK	Cylinder & turn (keyed to differ)	NK	Each
GZT4545-KA-NK	Cylinder & turn (keyed alike)	NK	Each
GZT4545-KA-SB		SB	Each
GZT4545-KTD-NK	Cylinder & turn (keyed to differ)	NK	Each

If you require a different size, type or finish of cylinder to what's listed above, please contact us to discuss your requirements on 01726 871 025 or sales@coastal-group.com.

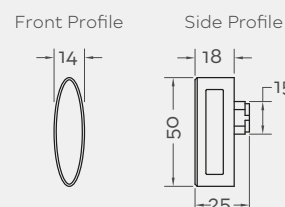
Large Thumb Turns Only for 3 Star Cylinders

- Larger grip area, ideal for elderly or disabled.



PART NUMBER	PRODUCT DESCRIPTION	FINISH	UNITS
KPT-T51-NK	51mm Large thumbturn only	NK	Each
KPT-T51-PC		PC	Each

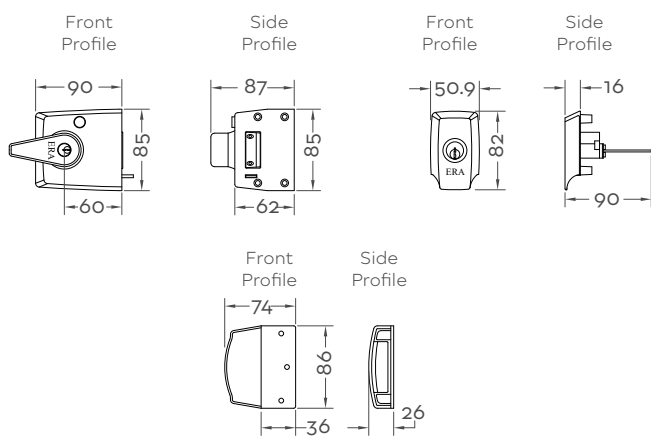
Other finishes available to order on request



Keyed to Differ = different key for each cylinder
Keyed Alike = same key across all cylinders

MORTICE LOCKS & NIGHTLATCH

PART NUMBER	PRODUCT DESCRIPTION	FINISH	UNITS
DLN60-SC	60mm Double locking nightlatch	SC	Each
DLN60-CP		CP	Each
DLN60-BP		BP	Each

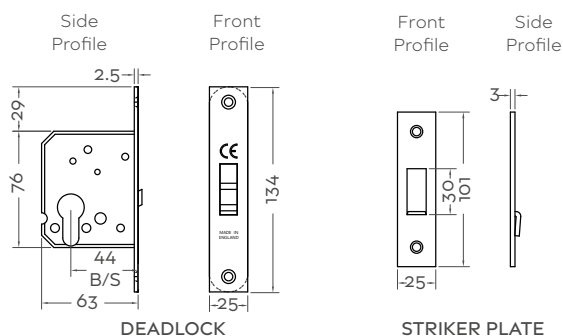


ERA Locking Nightlatch to BS3621

- High security nightlatch.
- Nightlatch conforms to BS3621.
- Meets requirements of insurance companies and the police.
- High security integral cylinder pull protects the cylinder from being drilled.
- Automatic deadlocking prevents the extended bolt from being retracted by a credit card.
- Lockable inside handle for extra security.
- Only suitable for inward opening doors.



PART NUMBER	PRODUCT DESCRIPTION	FINISH	UNITS
CL180-63-SSS	63mm euro profile sliding door lock	SSS	Each

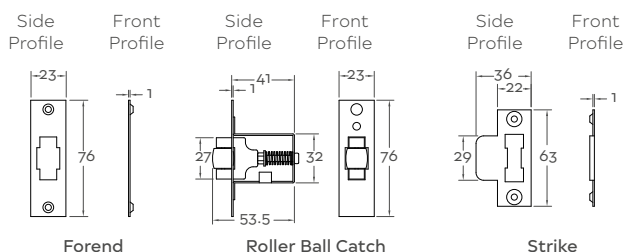


Sliding / Folding Door Lock

- Euro profile hook lock for use with folding or sliding doors.
- CE Marked door lock - Fire rated to BS EN 1634-1:2000 & Performance rated to BS EN 12209.
- Deadbolt operated by key from either side using a double cylinder or by key outside and thumbturn inside using a single cylinder with turn (cylinder not supplied).



PART NUMBER	PRODUCT DESCRIPTION	FINISH	UNITS
RBH2-SSS	Heavy duty roller ball catch	SSS	Each
RBH2-PB		PB	Each



Roller Ball Catch

- Heavy duty roller ball catch.
- Adjustable tension.

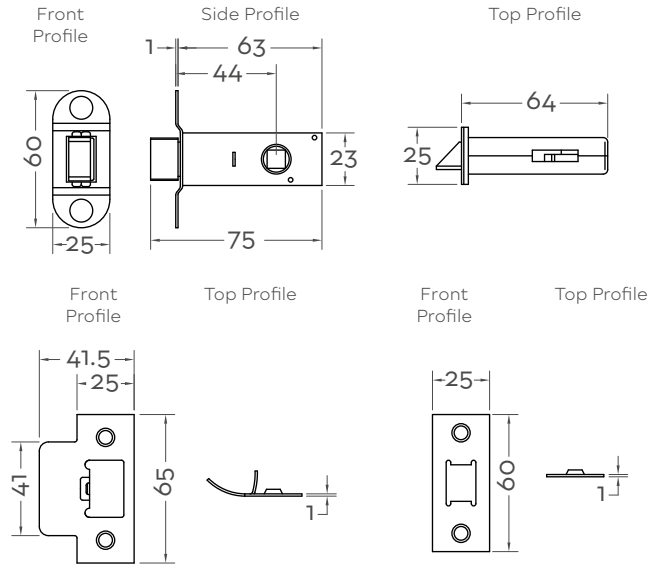


Quality Tubular Latches

- High quality, heavy duty sprung latch.
- Used to assist unsprung door lever handles.
- Conforms to BS EN 12209.
- CE and Certifire approved.
- Lock rebate kit available.



PART NUMBER	PRODUCT DESCRIPTION	FINISH	UNITS
TLS5025-SSSEB	63mm Tubular latch 44mm backset	SSS EB	Each
TLS5030-SSSEB	76mm Tubular latch 57mm backset	SSS EB	Each

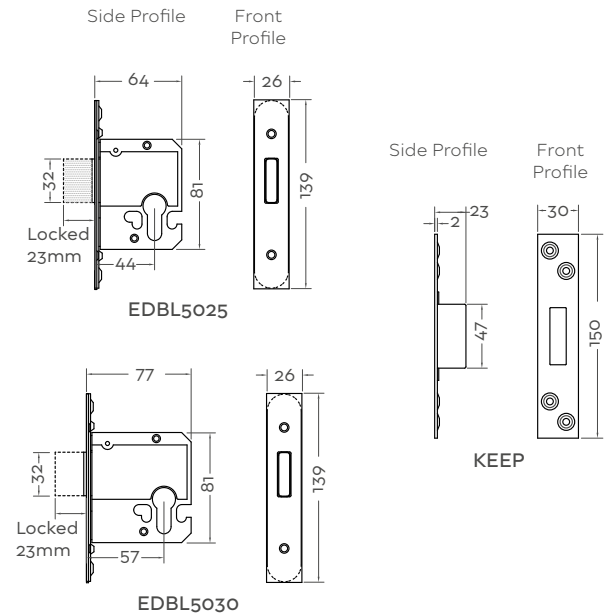


Euro Profile Mortice Deadlock to BS3621

- High security euro profile cylinder deadlock.
- Conforms to BS EN 12209, BS1303 and BS3621 when used with correct cylinder and rose.
- Kite marked deadlock.
- CE and Certifire tested deadlock.
- Lock rebate kit available.



PART NUMBER	PRODUCT DESCRIPTION	FINISH	UNITS
EDBL5025-SSS	64mm Euro profile BS deadlock	SSS	Each
EDBL5030-SSS	76mm Euro profile BS deadlock	SSS	Each

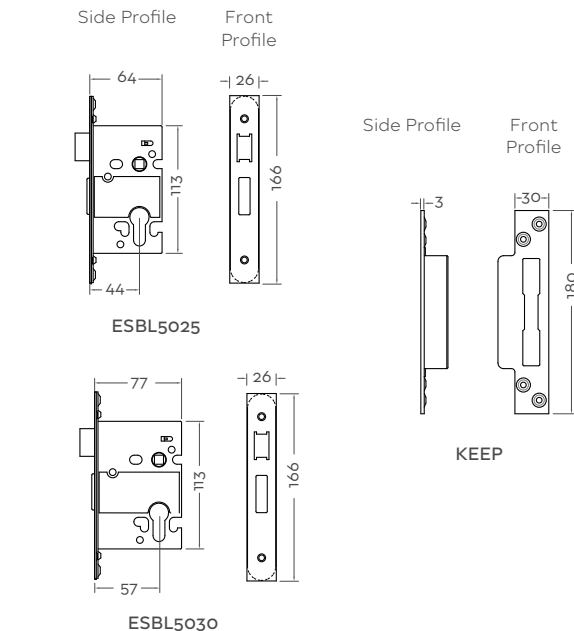


Euro Profile Mortice Sashlock to BS3621

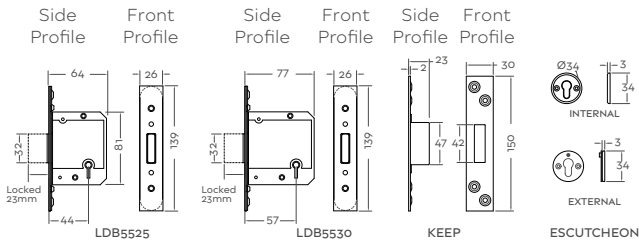
- High security euro profile cylinder sashlock.
- Conforms to BS EN 12209 and BS3621 when used with correct cylinder and rose.
- Kite marked sashlock.
- CE and Certifire tested deadlock.
- Latch can be easily reversed to suit door handing.
- Lock rebate kit available.



PART NUMBER	PRODUCT DESCRIPTION	FINISH	UNITS
ESBL5025-SSS	64mm Euro profile BS sashlock	SSS	Each
ESBL5030-SSS	76mm Euro profile BS sashlock	SSS	Each



PART NUMBER	PRODUCT DESCRIPTION	FINISH	UNITS
LDB5525-SSS	64mm 5 Lever BS deadlock	SSS	Each
LDB5525-PPB		PPB	Each
LDB5530-SSS	76mm 5 Lever BS deadlock	SSS	Each

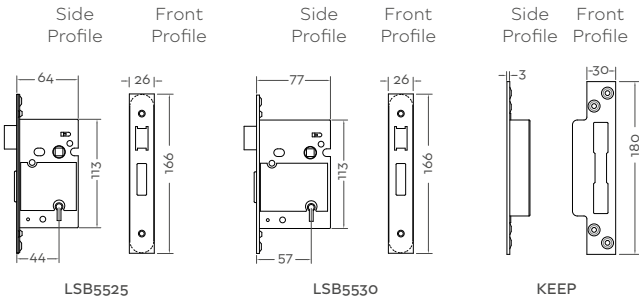


5 Lever Mortise Deadlock to BS3621

- High security 5 lever deadlock.
- Conforms to BS3621.
- CE and Certifire tested deadlock.
- Suitable for use in all domestic, industrial and commercial applications.
- Lock rebate kit available.



PART NUMBER	PRODUCT DESCRIPTION	FINISH	UNITS
LSB5525-SSS	64mm 5 Lever BS sashlock	SSS	Each
LSB5525-PPB		PPB	Each
LSB5530-SSS	76mm 5 Lever BS sashlock	SSS	Each
LSB5530-PPB		PPB	Each



5 Lever Mortise Sashlock to BS3621

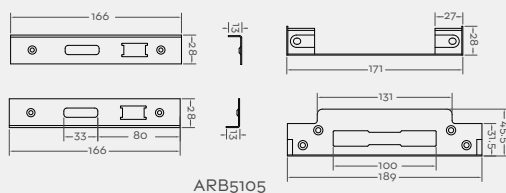
- High security 5 lever sashlock.
- Conforms to BS EN 12209 and BS3621 when used with correct cylinder and rose.
- Kite marked sashlock.
- CE and Certifire tested deadlock.
- Latch can be easily reversed to suit door handing.
- Keyed alike options are available to order.
- Lock rebate kit available.



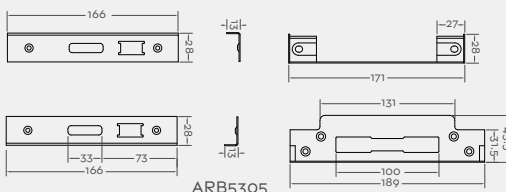
PART NUMBER	PRODUCT DESCRIPTION	FINISH	UNITS
ARB5105-SSS	13mm Rebate kit for LSB locks	SSS	Each
ARB5105-PPB		PPB	Each
ARB5205-SSS	13mm Rebate kit for LDB locks	SSS	Each
ARB5205-PPB		PPB	Each
ARB5305-SSS	13mm Rebate kit for ESBL locks	SSS	Each
ARB5305-PPB		PPB	Each
ARB5405-SSS	13mm Rebate kit for EDBL locks	SSS	Each
ARB5405-PPB		PPB	Each
ART5105-SSS	13mm Rebate kit for TLS/TLD locks	SSS	Each
ART5105-PPB		PPB	Each

Lock Rebate Kits

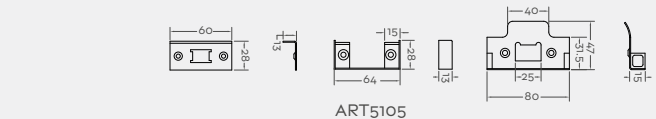
- Rebate kits for sashlocks and deadlocks.
- Designed for standard rebate doors with up to 13mm rebate.
- Suitable for right or left handed, inward or outward opening doors.



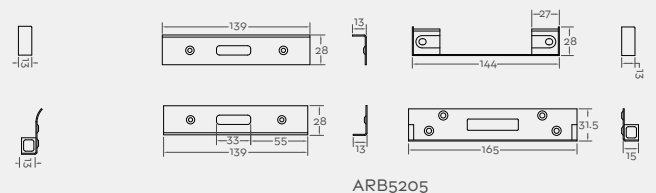
ARB5105



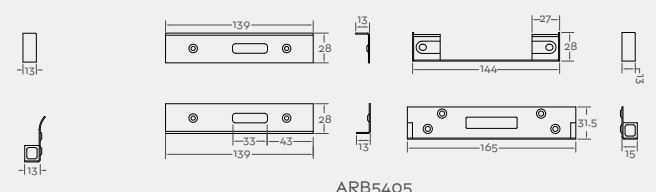
ARB5305



ART5105



ARB5205

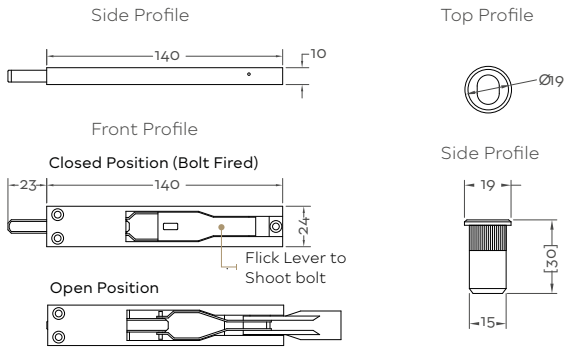


ARB5405



BOLTS & ACCESSORIES

PART NUMBER	PRODUCT DESCRIPTION	FINISH	UNITS
FBF140-SV	140 x 24mm Flush bolt	SV	Each
FBF140-MSB		MSB	Each
FBF140-WH		WH	Each
FBF12-USS	Keep for FBF140	USS	Each

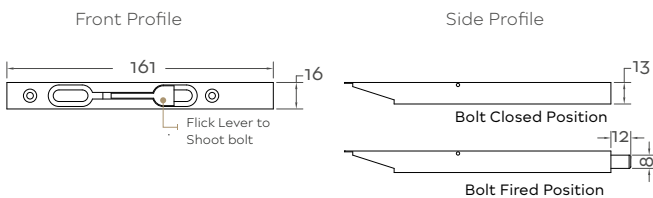


Flat Box Flush Bolt & Keep

- Flat box flush bolt keep featuring a shallow depth of 10mm.
- Bolt is morticed into the edge of the door.
- The same width as the MK10 and MK26 keeps which can make machining your doors neat and tidy.
- Lever action shoots the bolt.
- FBF12 keep required (purchased separately).



PART NUMBER	PRODUCT DESCRIPTION	FINISH	UNITS
FBE6-SV	161 x 16mm Eurogroove flick bolt	SV	Each
FBE6-GD		GD	Each

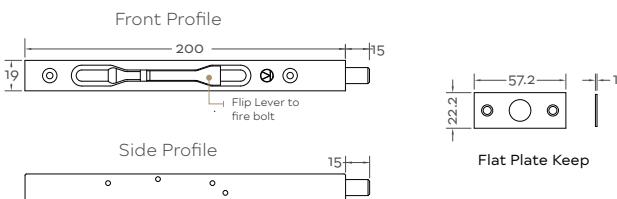


Eurogroove Flick Bolts

- Finger flick bolt that features a 13mm deep body.
- Fits into a 16mm eurogroove.
- Complete with keeps & fixing screws.



PART NUMBER	PRODUCT DESCRIPTION	FINISH	UNITS
FBL8-SSS	200 x 19mm Flush bolt	SSS	Each

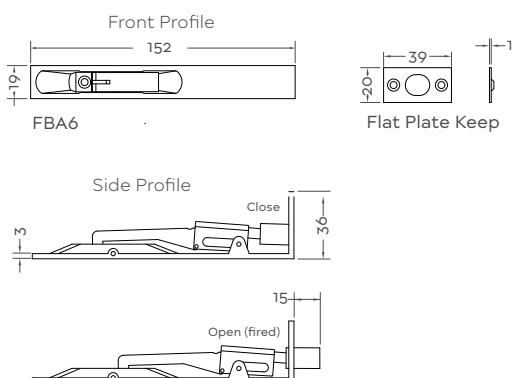


Box Flush Bolts

- Quality box flush bolt, surface fixed to the door.
- Smooth, easy, lever action shoots the bolt.
- Supplied with keep.

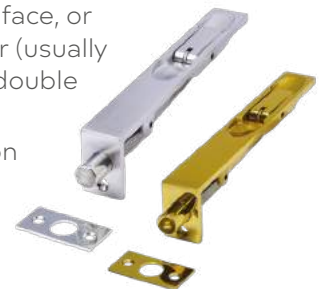


PART NUMBER	PRODUCT DESCRIPTION	FINISH	UNITS
FBA6-SC	152 x 19mm Architectural flush bolt	SC	Each
FBA6-BP		BP	Each



Architectural Flush Bolts

- Architectural quality flush bolt
- Bolt is morticed into the face, or leading edge, of the door (usually the slave leaf in a set of double doors).
- Smooth, easy, lever action triggers the bolt.
- Supplied with keep.



Outward Opening Flush Bolts

- Flat bar design flush bolt for outward opening folding door systems.
- Can also be used on other door applications.
- Bolt is morticed into face of door sash.
- Locking and non-locking versions available (we recommend using locking version on the bottom of the door and non-locking on the top).
- New flat head key on locking version to reduce potential door damage.
- Manufactured from brass.
- Supplied with keep and pocket.

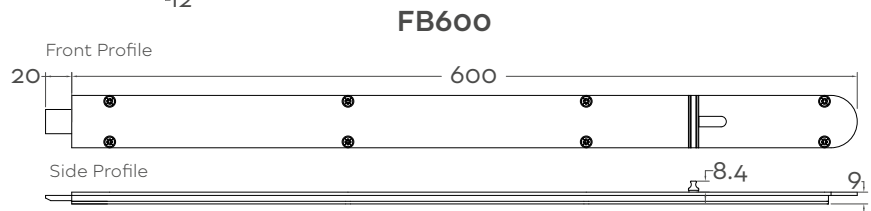
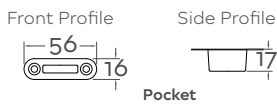
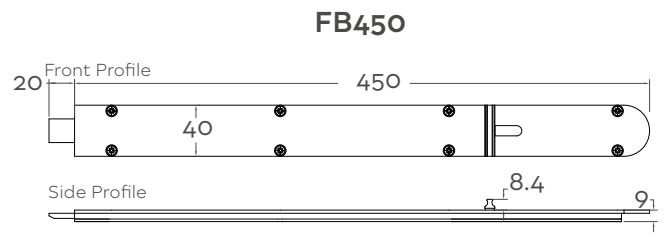
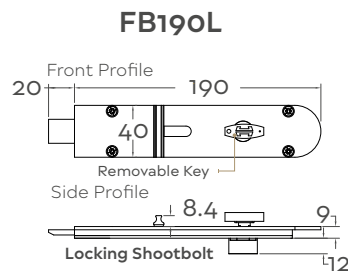
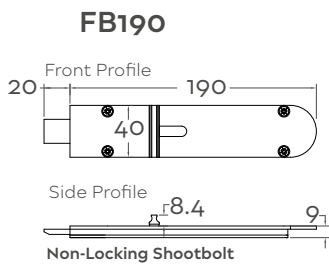
PART NUMBER	PRODUCT DESCRIPTION	FINISH	UNITS
FB190S-SC	190mm Non-locking flush bolt - outward opening	SC	Each
FB190C-CP		CP	Each
FB190G-BP		BP	Each
FB190B-BK		BK	Each
FB190LS-SC	190mm Locking flush bolt - outward opening	SC	Each
FB190LC-CP		CP	Each
FB190LG-BP		BP	Each
FB190LB-BK		BK	Each
FB450S-SC	450mm Non-locking flush bolt - outward opening	SC	Each
FB450C-CP		CP	Each
FB450G-BP		BP	Each
FB450B-BK		BK	Each
FB600S-SC	600mm Non-locking flush bolt - outward opening	SC	Each
FB600C-CP		CP	Each
FB600G-BP		BP	Each
FB600B-BK		BK	Each



non-locking



locking



FB Flushbolt Router Cutter

- Saves time and enables the flush bolts to be installed effortlessly.
- For use with the Securefold FB flat bar flush bolts shown on this page spread.

PART NUMBER	SIZE	UNITS
FBCUTTER	Router cutter for FB flushbolt	Each

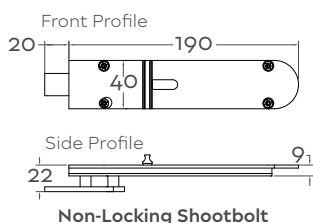
PART NUMBER	PRODUCT DESCRIPTION	FINISH	UNITS
FB190NS-SC	190mm Top necked non-locking flush bolt - inward opening	SC	Each
FB190NC-CP		CP	Each
FB190NG-BP		BP	Each
FB190NB-BK		BK	Each
FB190NLS-SC	190mm Top necked locking flush bolt - inward opening	SC	Each
FB190NLC-CP		CP	Each
FB190NLG-BP		BP	Each
FB190NLB-BK		BK	Each
FB450NS-SC	450mm Top necked non-locking flush bolt - inward opening	SC	Each
FB450NC-CP		CP	Each
FB450NG-BP		BP	Each
FB450NB-BK		BK	Each
FB600NS-SC	600mm Top necked non-locking flush bolt - inward opening	SC	Each
FB600NC-CP		CP	Each
FB600NG-BP		BP	Each
FB600NB-BK		BK	Each

Inward Opening Top Necked Flush Bolts

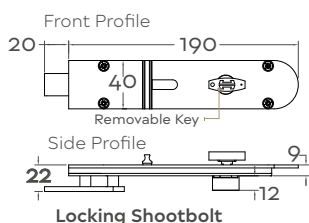
- Flat bar design flush bolt for inward opening folding door systems.
- Can also be used on other door applications.
- Bolt is morticed into the face of the door sash.
- Locking and non-locking versions available.
- New flat head key on locking version to reduce potential door damage.
- Manufactured from brass.
- Supplied with keep and pocket.



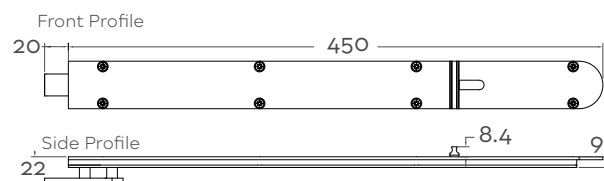
FB190N



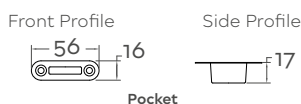
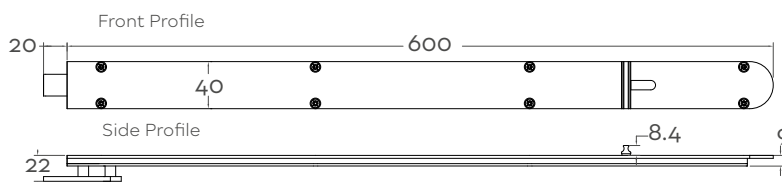
FB190NL



FB450N



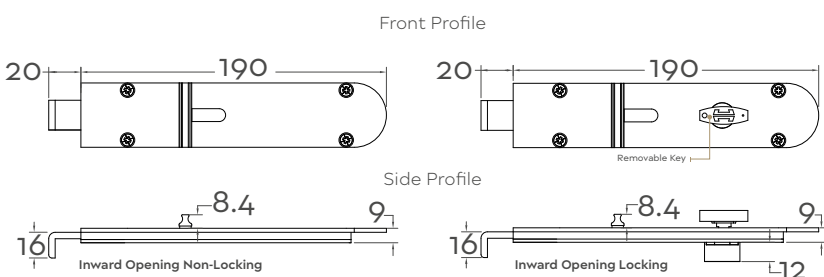
FB600N



PART NUMBER	PRODUCT DESCRIPTION	FINISH	UNITS
FB190IS-SC	190mm Bottom non-locking flush bolt - inward opening	SC	Each
FB190IC-CP		CP	Each
FB190ITG-BP		BP	Each
FB190IB-BK		BK	Each
FB190ILS-SC	190mm Bottom locking flush bolt - inward opening	SC	Each
FB190ILS-CP		CP	Each
FB190ILG-BP		BP	Each
FB190ILB-BK		BK	Each

Inward Opening Bottom Flush Bolts

- Flat bar design flush bolt for inward opening folding door systems.
- Bolt is morticed into the face of the door sash.
- New flat head key on locking version to reduce potential door damage.
- Locking and non-locking versions available.
- Manufactured from brass.
- Sits on the track.

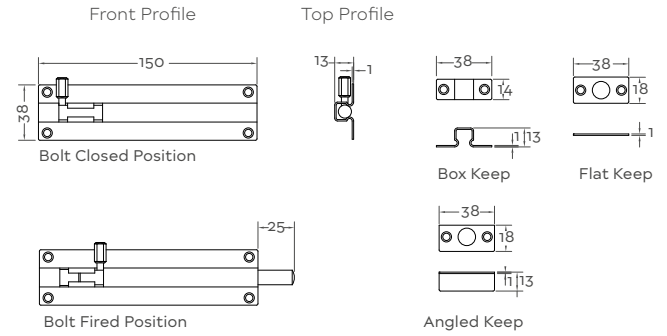


Straight Barrel Bolt

- Architectural quality straight barrel bolt.
- Housing slot to lock barrel into position.
- Fire door rated.
- Manufactured from 304 stainless steel.
- Supplied with keeps.



PART NUMBER	PRODUCT DESCRIPTION	FINISH	UNITS
BBT1150-SSS	150 X 38mm Straight barrel bolt	SSS	Each

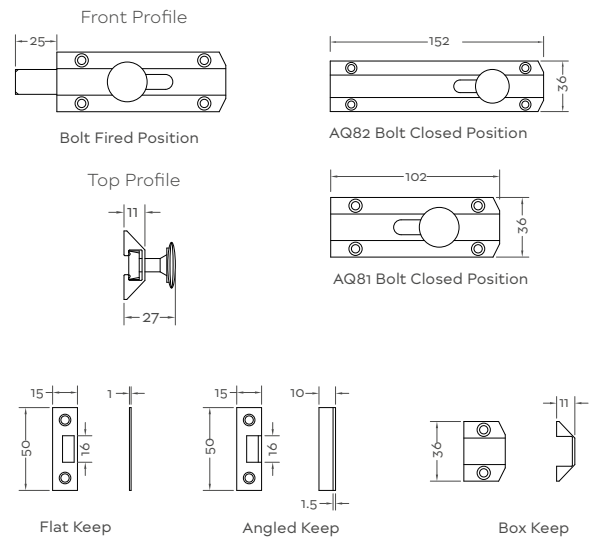


Surface Slide Door Bolts

- Quality surface mounted door bolt.
- Low profile bolt.
- Smooth easy sliding action to trigger the bolt.
- Flat barrel provides increased security over conventional barrel bolt.
- Can be fixed either horizontally or vertically.
- Often used to secure the top and bottom leaves on stable doors.
- Supplied with keeps.



PART NUMBER	PRODUCT DESCRIPTION	FINISH	UNITS
AQ81-SC	102 x 36mm Surface bolt	SC	Each
AQ81-BP		BP	Each
AQ82-SC	152 x 36mm Surface bolt	SC	Each
AQ82-BP		BP	Each

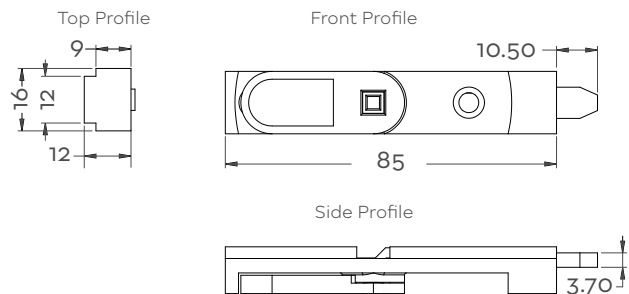


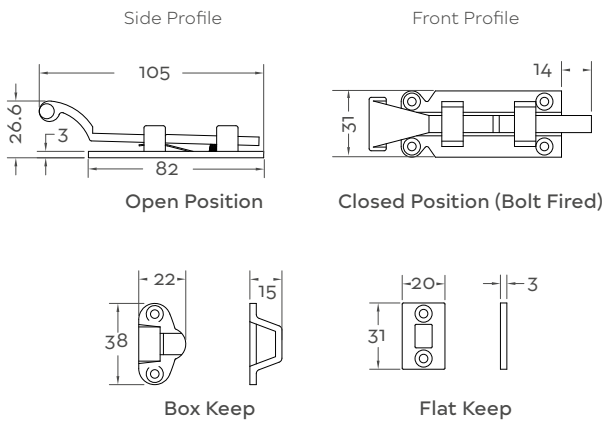
Small Shootbolt

- Zinc die-cast shootbolt.
- Finger operated.
- Shootbolt throws 10.5mm.
- Can be fitted on flat surfaces or in the eurogroove with the lever section sitting in the air gap.
- Suitable for use on the slave door, top and bottom, in a set of double doors.
- Suitable for use on the secondary leaf of a pair of French windows.
- EBMK20 keep available - see page 193.



PART NUMBER	PRODUCT DESCRIPTION	FINISH	UNITS
SSB85-SV	85mm Small shootbolt,	SV	Each





Antique Straight Door Bolts

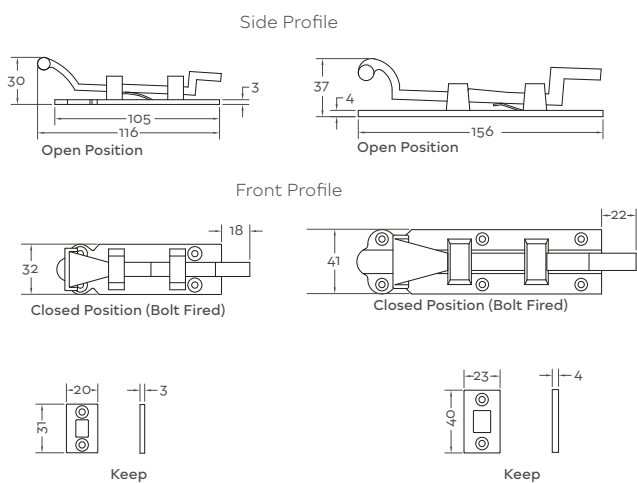
- Black antique barrel bolt for general security.
- Made from malleable iron base material.
- Not suitable for use on or near the coast.
- Supplied with keeps.



PART NUMBER	PRODUCT DESCRIPTION	FINISH	UNITS
BA5530A-BA	105 x 31mm Antique straight door bolt	BA	Each

BA5563A

BA5563B



Antique Cranked Door Bolt

- Black antique cranked barrel bolt for general security.
- Made from malleable iron base material.
- Not suitable for use on or near the coast.
- Supplied with keeps.

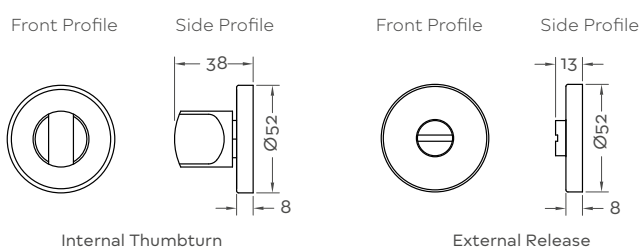


PART NUMBER	PRODUCT DESCRIPTION	FINISH	UNITS
BA5563A-BA	116 x 32mm Antique cranked door bolt	BA	Each
BA5563B-BA	156 x 32mm Antique cranked door bolt	BA	Each

PART NUMBER	PRODUCT DESCRIPTION	FINISH	UNITS
CLR361-39-SSS	102 x 36mm Surface bolt	SSS	Set

Bathroom Turn and Release Set

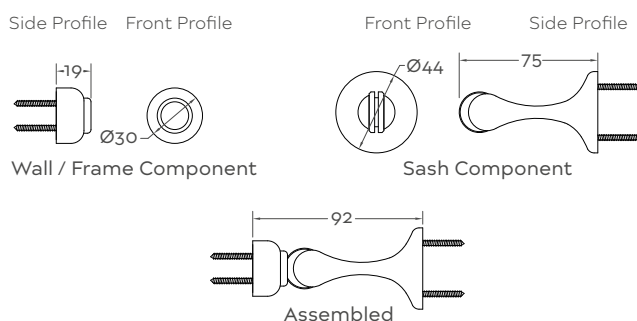
- Bathroom turn and release set made from 316 Satin Stainless Steel.
- Includes emergency release.



PART NUMBER	PRODUCT DESCRIPTION	FINISH	UNITS
CFB1-SSS	Projection holdback catch	SSS	Set

Magnetic Projection Holdback Catch

- Prevents the lever handle from hitting the wall, once fitted the total projection measures 92mm.

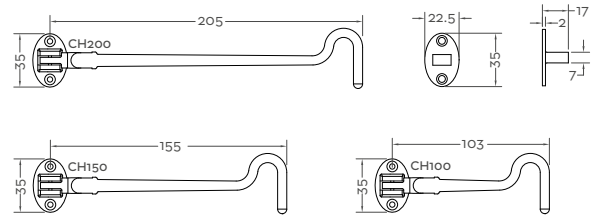


Stainless Steel Cabin Hook

- Architectural quality silent pattern cabin hook and eye set.
- Often used on doors and window shutters.
- Fire door rated.
- Manufactured from solid 316 Marine Grade Stainless Steel.

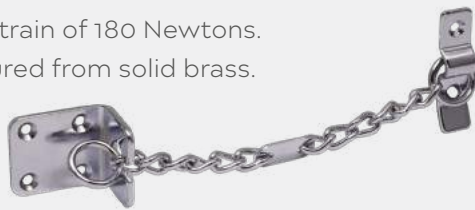


PART NUMBER	PRODUCT DESCRIPTION	FINISH	UNITS
CH100-SSS	100mm Cabin hook & eye	SSS	Each
CH150-SSS	150mm Cabin hook & eye	SSS	Each
CH200-SSS	200mm Cabin hook & eye	SSS	Each

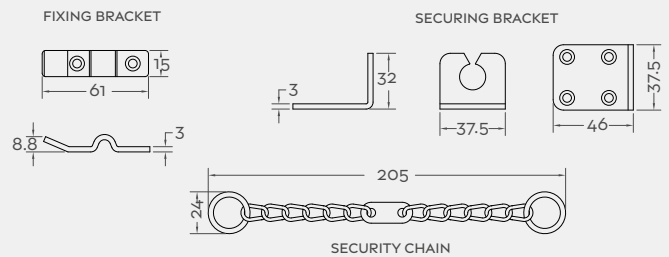


Heavy Duty Door Security Chain

- Classic heavy duty door security chain.
- Provides additional door security and can be retro fitted.
- Breaking strain of 180 Newtons.
- Manufactured from solid brass.



PART NUMBER	PRODUCT DESCRIPTION	FINISH	UNITS
AA75-CP	Heavy duty door security chain	CP	Each

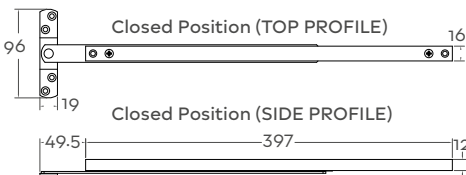
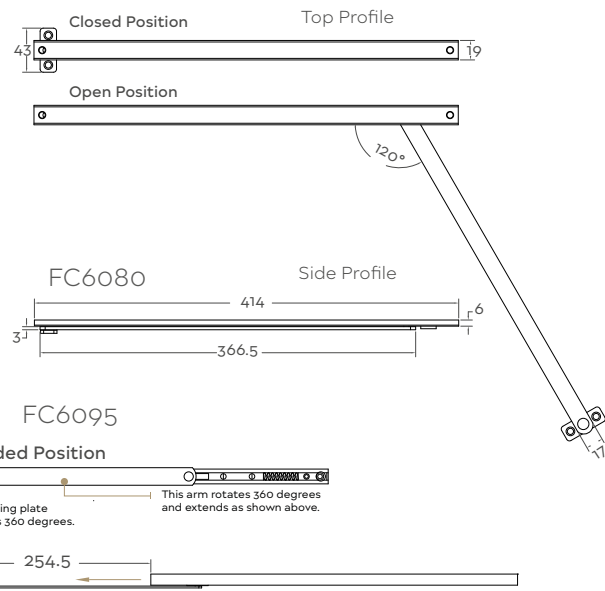


Concealed Door Restrictors

- Concealed door restrictor is routed into the head of the door.
- Once door is closed only the arm of the restrictor can be seen.
- Prevents door from being opened beyond a pre-determined point.
- Level of friction can be adjusted.
- FC6080 opens to a maximum angle of 120 degrees.
- RS6095 opens to a maximum angle of 90 degrees.



PART NUMBER	PRODUCT DESCRIPTION	FINISH	UNITS
FC6080-SV	414mm Standard	SV	Each
RS6095-SV	395mm Heavy duty - sprung	SV	Each

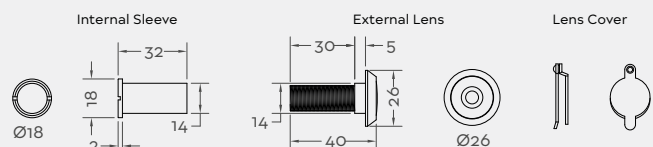


Door Viewer

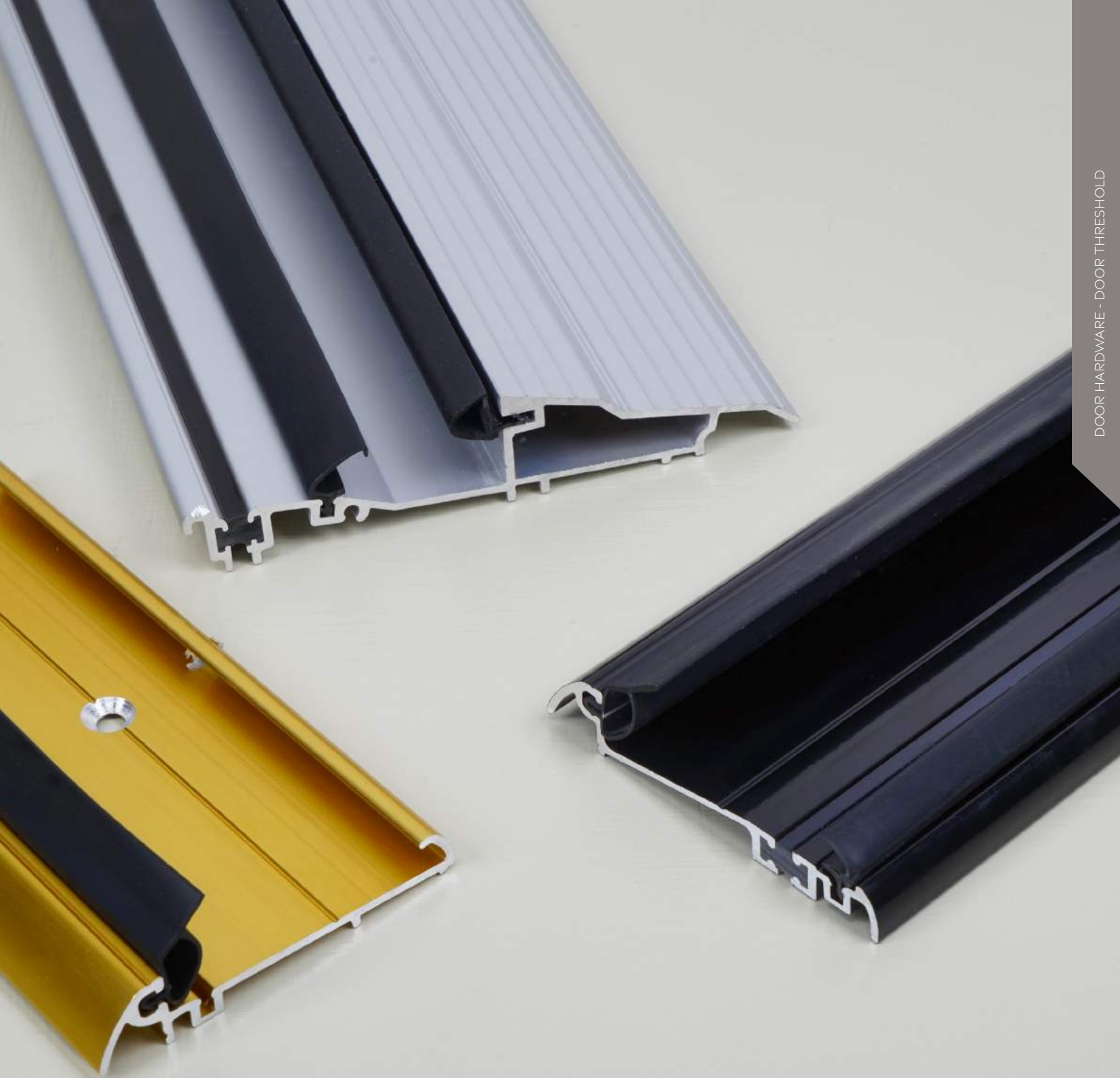
- Security door viewer enables user to see who is on the other side of the door before opening it.
- Provides 180 degree angle of vision.
- Fire door rated.



PART NUMBER	PRODUCT DESCRIPTION	FINISH	UNITS
AA76-SC	Security door viewer	SC	Each



Visit www.coastal-group.com for CAD drawings



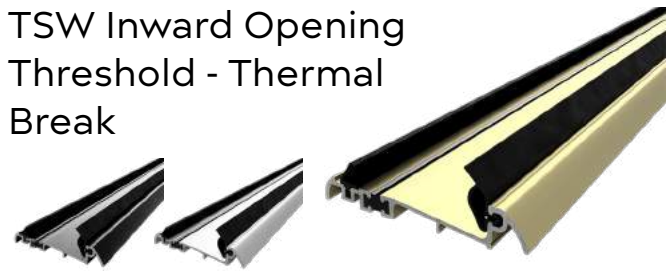
DOOR THRESHOLDS

TSW/TSX Slimline Threshold - Thermal Break



- Inward and outward opening aluminium thresholds.
- Incorporates thermal break to meet thermal bridging and insulation requirements.
- Seals gaps 12 - 14mm.
- Designed to fit onto a subsill or directly onto a base threshold.
- Features pre-drilled drainage and fixing holes to speed up production.
- Part M Compliant inward opening mobility threshold suitable for disabled access.
- Replacement seals available.

TSW Inward Opening Threshold - Thermal Break



TSX Outward Opening Threshold - Thermal Break

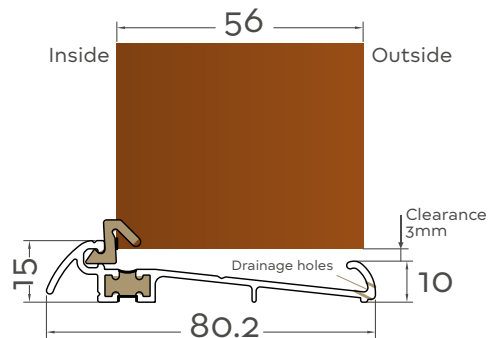
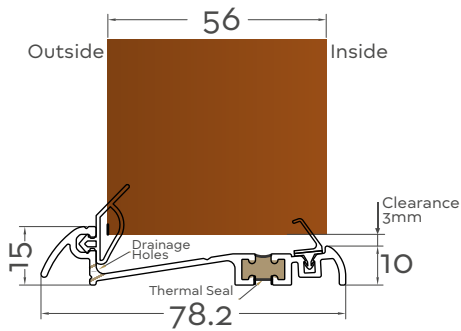


PART NUMBER	PRODUCT DESCRIPTION	FINISH	UNITS
TSW3-56-SV	3000mm Inward opening 78mm to suit 56mm door	SV	Each
TSW3-56-GD		GD	Each
TSW3-56-BK		BK	Each

PART NUMBER	PRODUCT DESCRIPTION	FINISH	UNITS
TSX3-56-SV	3000mm Outward opening 80mm to suit 56mm door	SV	Each
TSX3-56-GD		GD	Each
TSX3-56-BK		BK	Each

Replacement seals:
 CX-TSY-FS BK - Replacement Flipper Seal
 CX-TSY-WS-BK - Replacement Wiping Seal

Replacement seals:
 AQ21 - Replacement Seal



TSY/TSZ Slimline Threshold

- Inward and outward opening aluminium thresholds.
- Seals gaps 13 - 14mm.
- Designed to fit into a subsill or directly onto a base threshold.
- Features pre-drilled drainage and fixing holes to speed up production.
- Seals gaps 13 - 14mm.
- Replacement seals available.



TSY

TSZ



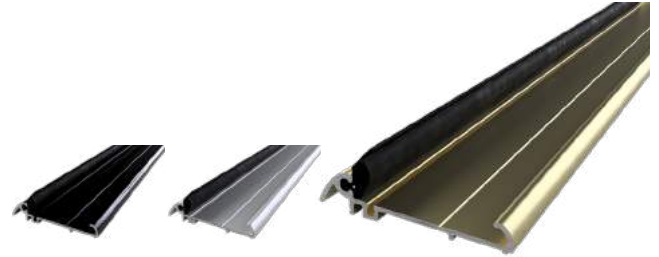
TSY Inward Opening Threshold

- Silver & Black available in 1 & 3 metre lengths.



PART NUMBER	PRODUCT DESCRIPTION	FINISH	UNITS
TSY1-44-SV	1000mm Inward opening 62mm to suit 44mm door	SV	Each
TSY1-44-BK		BK	Each
TSY1-56-SV	1000mm Inward opening 62mm to suit 56mm door	SV	Each
TSY1-56-BK		BK	Each
TSY3-44-SV	3000mm Inward opening 62mm to suit 44mm door	SV	Each
TSY3-44-GD		GD	Each
TSY3-44-BK		BK	Each
TSY3-56-SV	3000mm Inward opening 72mm to suit 56mm door	SV	Each
TSY3-56-GD		GD	Each
TSY3-56-BK		BK	Each

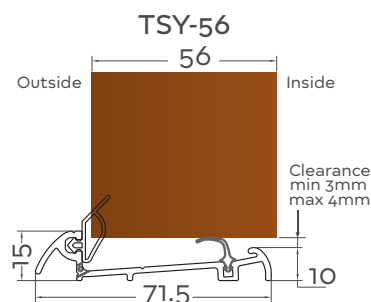
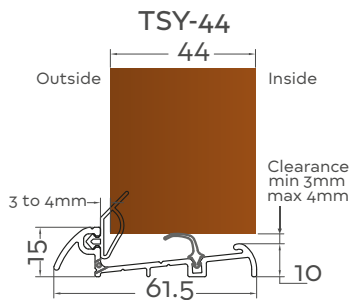
TSZ Outward Opening Threshold



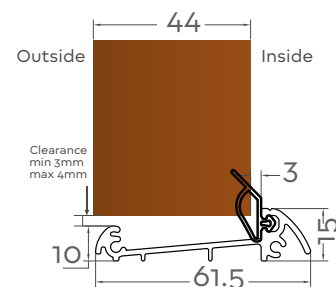
PART NUMBER	PRODUCT DESCRIPTION	FINISH	UNITS
TSZ3-44-SV	3000mm Outward opening 62mm to suit 44mm door	SV	Each
TSZ3-44-BK		BK	Each
TSZ3-56-SV	3000mm Outward opening 72mm to suit 56mm door	SV	Each
TSZ3-56-GD		GD	Each
TSZ3-56-BK		BK	Each

Replacement seals:
CX-TSY-FS BK - Replacement Flipper Seal

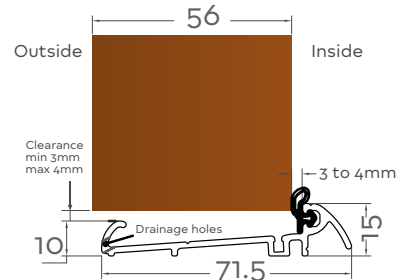
Replacement seals:
CX-TSY-FS BK - Replacement Flipper Seal
CX-TSY-WS-BK - Replacement Wiping Seal



TSZ3-44



TSZ3-66

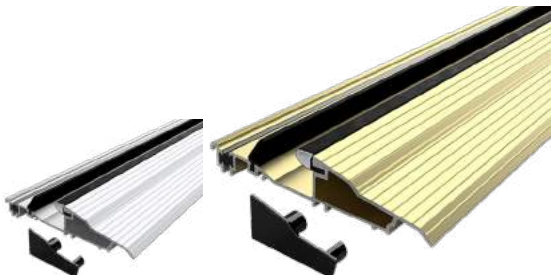


AM3EX/AM5EX Threshold - Thermal Break



- Inward and outward opening aluminium thresholds.
- Incorporates thermal break to meet thermal bridging and insulation requirements.
- Part M Compliant inward open mobility threshold suitable for disabled access.
- Designed to fit directly onto a level threshold.
- Can be installed as the fourth side of the door frame or retro fitted.
- Non-slip surface ensures a safe grip in wet conditions.
- Features pre-drilled drainage and fixing holes to speed up production.
- Seals gaps 18 - 23mm.

AM3EX Inward Opening Threshold - Thermal Break

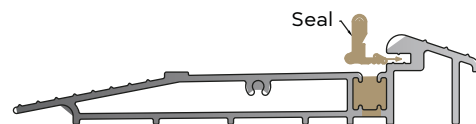
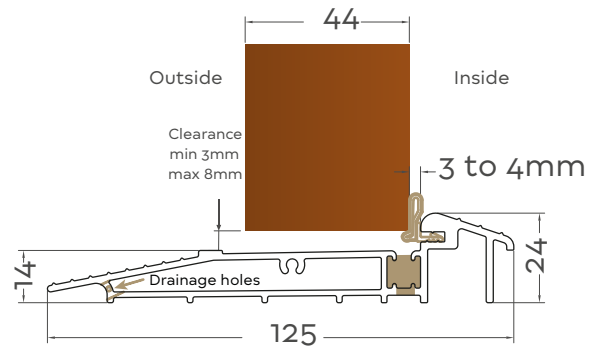
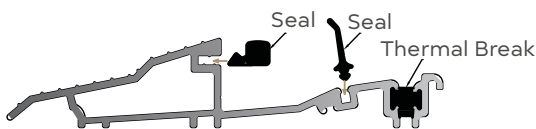
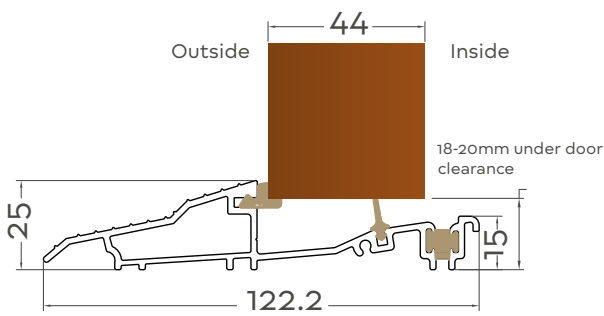


PART NUMBER	PRODUCT DESCRIPTION	FINISH	UNITS
AM3EX-S-10-SV	1000mm Threshold sill	SV	Each
AM3EX-S-10-GD		GD	Each
AM3EX-S-30-SV	3000mm Threshold sill	SV	Each

AM5EX Outward Opening Threshold - Thermal Break



PART NUMBER	PRODUCT DESCRIPTION	FINISH	UNITS
AM5EX-S-30-SV	3000mm Threshold sill	SV	Each
AM5EX-S-30-GD	3000mm Threshold sill	GD	Each



MS28-SV
Thimble Shootbolt Keep



BIFOLD DOOR SYSTEMS



ROOMFLEX 40
Top Hung
Internal Bifold Door System



SECUREFOLD PRO
Top Hung
External Bifold Door System



SECUREFOLD
Bottom Rolling
External Bifold Door System

HENDERSON

ROOMFLEX 40 TOP HUNG INTERNAL BIFOLD DOOR SYSTEM

High quality internal room divider hardware system.

Features & Benefits

- No floor channel required eliminating trip hazards when crossing between rooms.
- Ideal for reducing noise pollution between rooms.
- Can be used on rebated jambs.
- Aluminium track provides smooth, quiet operation.
- Nylon guide wheel with precision bearings.
- Wheels made from patented polymer to ensure longevity of life.
- Tested to 25 years of average use.
- Selected configurations supplied in kit form for ease of ordering.



Available only in Satin
Stainless Steel

Roomflex 40 Kit includes:

- Pivot Sets
- Hinge Handle Set (kit dependent)
- Offset Handle Hinge Set (kit dependent)
- Hanger Set (kit dependent)
- 110mm Flush Bolts
- Screw Pack

You will also need:

- 280HP Anodised Aluminium Track - choose track length from table on right.
- Flush pulls (see page 35) and or Lever Handles (see page 13)

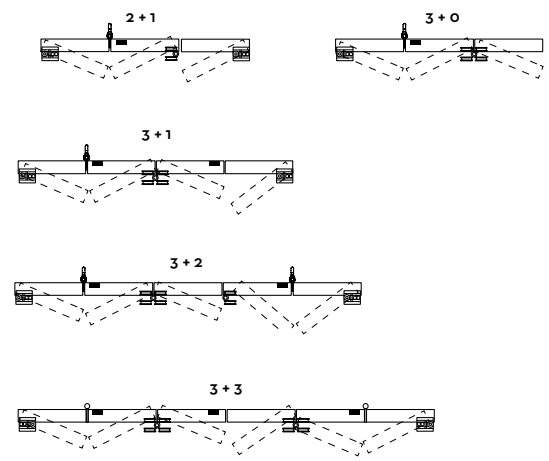
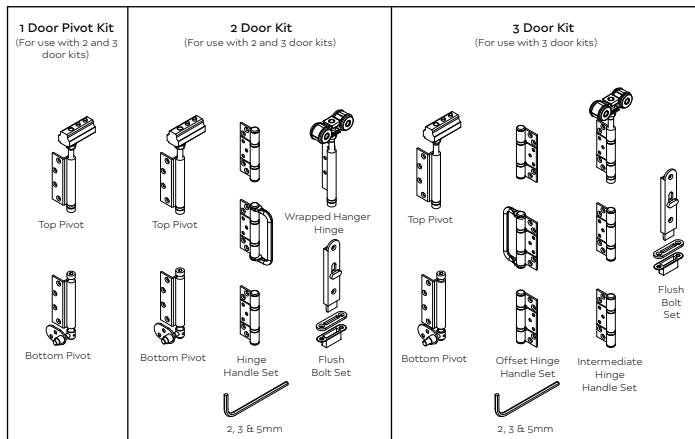
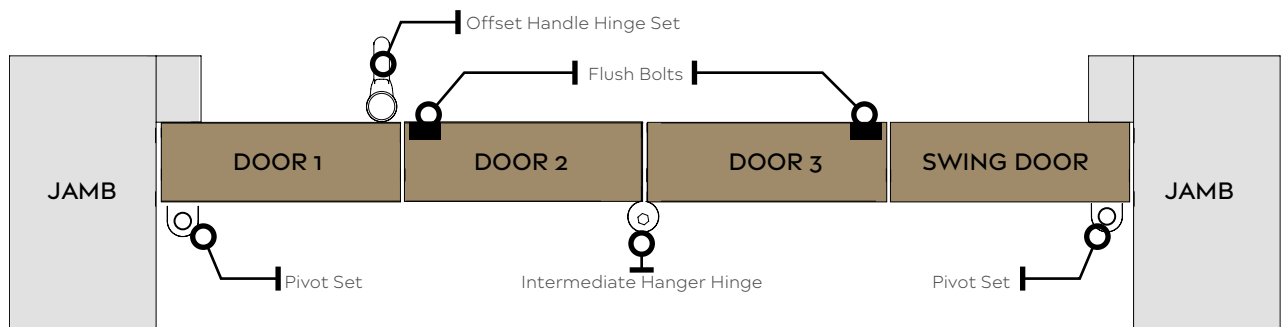
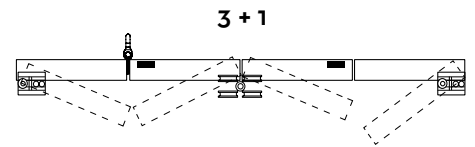
PART NUMBER	TRACK LENGTH
280HP/15AN	1500mm
280HP/18AN	1800mm
280HP/20AN	2000mm
280HP/25AN	2500mm
280HP/30AN	3000mm
280HP/40AN	4000mm
280HP/60AN	6000mm

Specifications:

- Use: Internal
- Type: Top Hung
- Max Leaf Weight: 40kg
- Max Leaf Width: 838mm
- Max Leaf Height: 3000mm
- Leaf Thickness: 35-44mm



ROOMFLEX 40 Door System Hardware Configuration Example



KIT AND DOOR SPECIFICATION						
KIT SHORT CODE	DOOR CONFIGURATION	KIT CONTENTS	MAX DOOR HEIGHT	MAX DOOR WIDTH	MAX DOOR THICKNESS	MAX DOOR WEIGHT
HRP2/1	2+1	1 x two door kit, 1 x one door pivot kit	3000mm	838mm	35-44mm	40kg
HRP3/0	3	1 x three door kit	3000mm	838mm	35-44mm	40kg
HRP3/1	3+1	1 x three door kit, 1 x one door pivot kit	3000mm	838mm	35-44mm	40kg
HRP3/2	3+2	1 x three door kit, 1 x two door kit	3000mm	838mm	35-44mm	40kg
HRP3/3	3+3	2 x three door kit	3000mm	838mm	35-44mm	40kg



SECUREFOLD PRO TOP HUNG EXTERNAL BIFOLD DOOR SYSTEM

The ultimate exterior bifold door hardware system for doors weighing up to 100kg.

Features & Benefits

- Components manufactured from 316 marine grade stainless steel making the system extremely corrosion resistant.
- High performance wheels and polymer bearings to ensure a smooth gliding operation and easy guide-in action.
- R-Loc feature enables easy adjustment during installation of door system.
- Lateral Adjustment to the Pivot location can be applied by a simple turn of a socket head screw.
- Universal end hanger kit to allow for left and right hand applications.
- Lubricant free hinges to negate leakage.
- Rebated hinge meeting kits to allow for minimal clearance at meeting point.
- Successfully tested to PAS24 and is available on our Part Q Scheme.
- Can be used on window systems also.



Available in 4 finishes

Satin Stainless Steel

SSS

Polished Stainless Steel

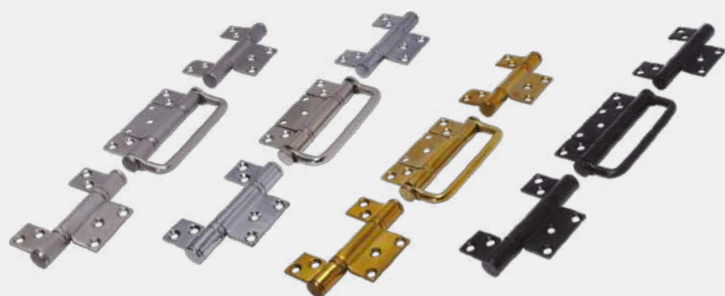
PSS

PVD Stainless Polished Brass

PPB

PVD Stainless Satin Black

PBK





The R-Loc – Making the installer’s life a lot easier and featured on the Securefold Pro Folding Door System.

R-Loc is a clever ratchet system that enables installers to easily heighten or lower a door, eliminating the process of locking the hanger in place with a grub screw. Refer to the instructions provided in the kit for operation.

Specifications:

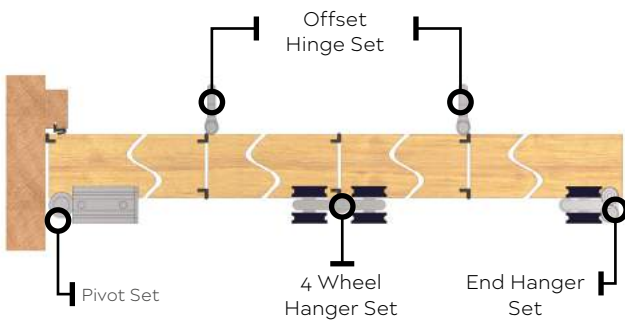
- Use: Internal or External
- Type: Top Hung
- Opening: Outward (contact us if Inward Opening required)
- Joinery Type: Non-mortice (contact us if Mortice version required)
- Max Leaf Weight: 100kg
- Max Leaf Width: 1000mm*
- Max Leaf Height: 3300mm
- Leaf Thickness: 35 - 68mm**



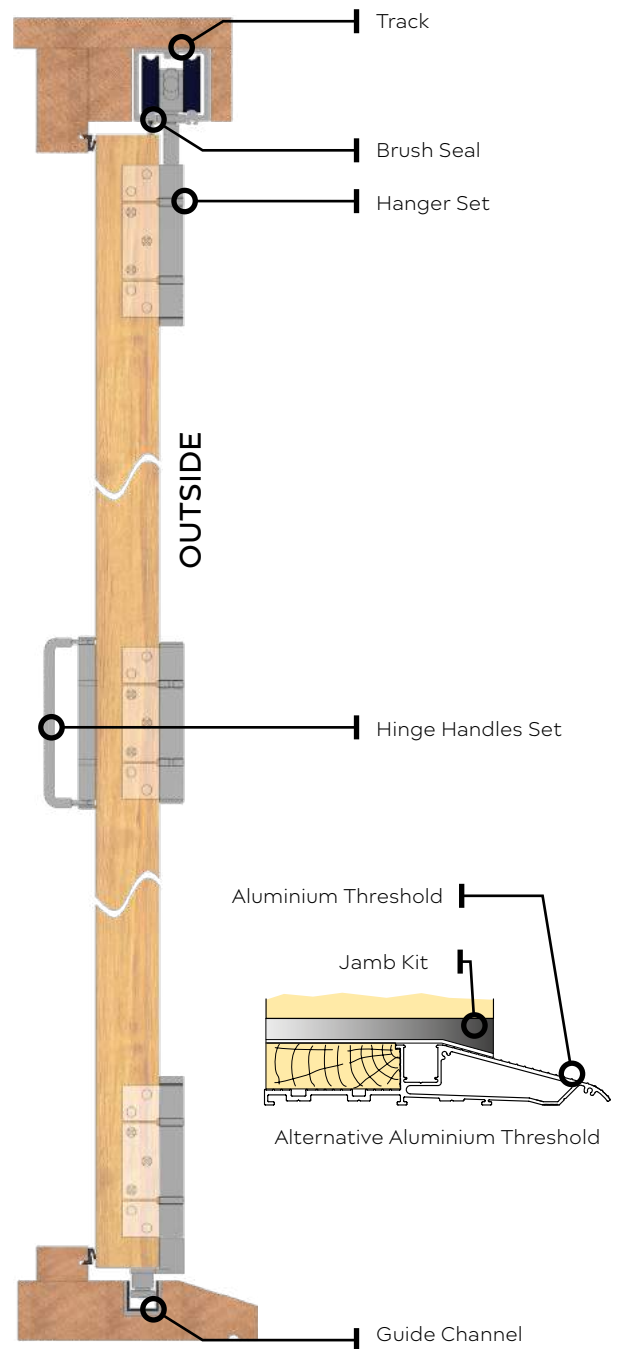
*If your door leaves need to be over 1000mm wide please contact our Technical Team to discuss your requirements.

**For doors between 35 - 47mm thick please contact our Technical Team for an alternative flush bolt.

Securefold Pro Plan View



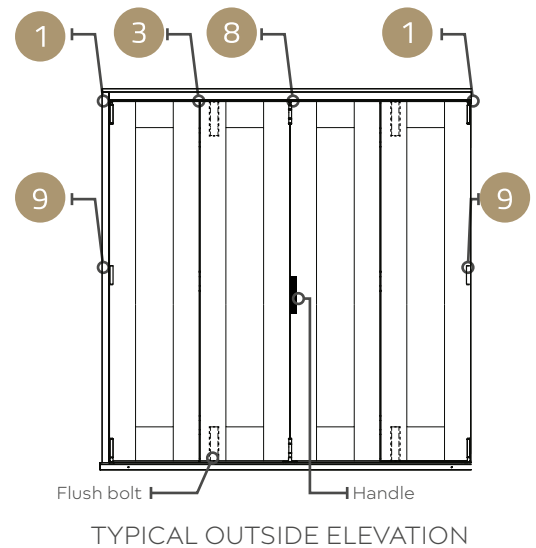
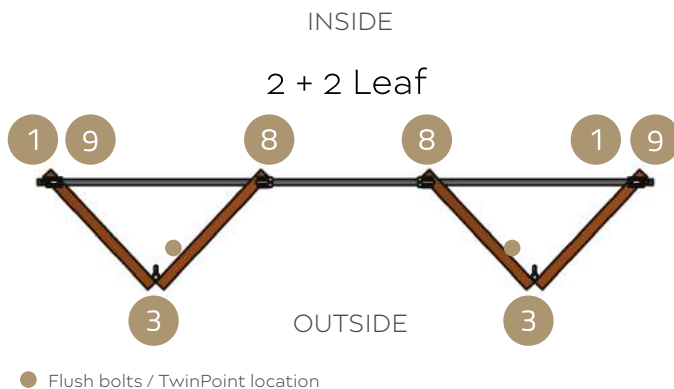
Securefold Pro Side Section



SECUREFOLD PRO Top Hung External Bifold Door System

Hardware Configuration Example

The following components give an overview of the parts used in the SECUREFOLD PRO Top Hung External Bifold Door System in 2+2 leaf configuration.



Pivot Assembly Set
Non-Mortice



Intermediate Pivot Hinge (Optional)*
Non-Mortice



Rebated Meeting Stile Set
Non-Mortice



Inline Hinge Handle Set



In addition to the components above, the following are required:

- Aluminium Top Track
- Top Track Brush Seal
- Polypropylene Guide Channel
- Aluminium Support Channel or SF94T Threshold

* For use with doors over 2200mm high, provides extra support if required.

Other accessories you might need are listed on page 153.

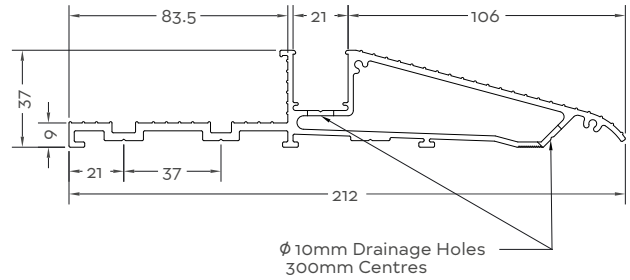
Optional TwinPoint Locking System

- Concealed top and bottom bolts lock the door from inside the system.
- An alternative to flush bolts which is operated by one simple turn using top and bottom throw rods to engage two points of locking.
- Slim profile gearbox makes it suit most stile designs.
- Designed to meet high demands for weathersealing, security and wind load.
- Suitable for inward and outward opening versions.
- Locking and non-locking versions.
- Max Leaf Height: 3300mm
- Leaf Thickness: 35 - 68mm

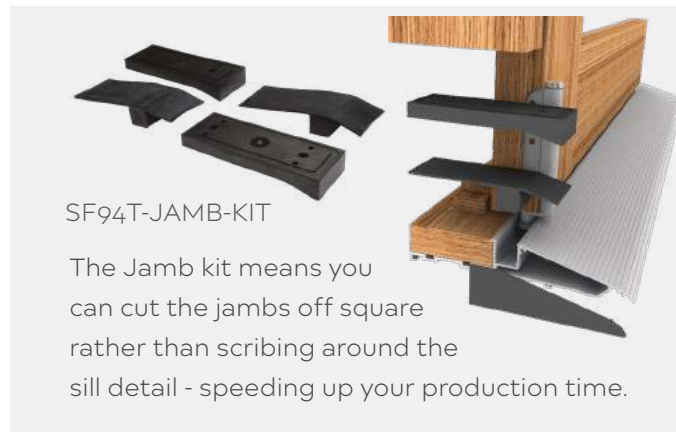


Securefold Pro Outward Opening Aluminium Threshold

- For use with the open-out Securefold Pro non-mortice and mortice bi-folding door system.
- This unit replaces the traditional sill and has the benefits of incorporating the slide channels and is rot-free with a large drainage chamber that is pre-drilled every 300mm for ease of installation.
- The threshold is designed in such a way that the inner sill extends right under the timber tread and sash rebate, giving extra strength and stability, without taking away from the traditional timber look from the inside.
- Includes a Polypropylene Bottom Channel.



PART NUMBER	PRODUCT DESCRIPTION	FINISH	UNITS
SF94T-2000-AAL	2000mm Aluminium threshold	AAL	Each
SF94T-2000-BK		BK	Each
SF94T-2500-AAL	2500mm Aluminium threshold	AAL	Each
SF94T-2500-BK		BK	Each
SF94T-3000-AAL	3000mm Aluminium threshold	AAL	Each
SF94T-3000-BK		BK	Each
SF94T-3500-AAL	3500mm Aluminium threshold	AAL	Each
SF94T-3500-BK		BK	Each
SF94T-4000-AAL	4000mm Aluminium threshold	AAL	Each
SF94T-4000-BK		BK	Each
SF94T-6000-AAL	6000mm Aluminium threshold	AAL	Each
SF94T-6000-BK		BK	Each



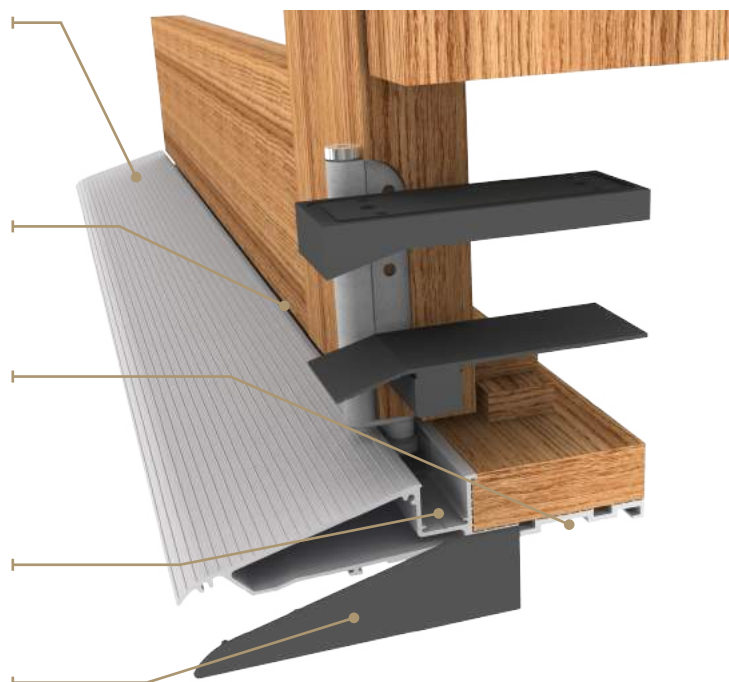
The 15 degree bevel on this sill means that if you produce a slim sash rebate (by recessing the guides into the bottom of the doors) then this conforms to the requirements of BS8300.

Large drainage chamber with 10mm diameter drainage holes every 300mm giving you the ultimate draining solution.

Aluminium Sill extends right under the timber tread and sash rebate giving extra strength and unrivalled stability, without taking away from the traditional timber look from inside.

Polypropylene channel design to stop guides from 'rattling' in the threshold. The drainage holes in the plastic channel are offset from those in the threshold

End caps supplied with the threshold. Replacement available.



SECUREFOLD PRO DOOR SYSTEM ENQUIRY FORM

No need for you to take the time to work out what components you need, just send us your completed enquiry form and we'll sort it for you.

Either complete and return the form below or scan QR code to complete the form online.



Company:		Postcode	
Contact Name		Telephone	
Email		Fax	
Customer Project Reference Name:		Quote	Order <input type="checkbox"/>

Structural Opening Size	Width (mm)	Height (mm)	Door Thickness (mm) <small>(Note: Leaf Thickness: 35-68mm)</small>	

Door Configuration <small>(Viewed from Outside)</small>	Left Hand Leaves		Right Hand Leaves	
Opening	Outward	<input type="checkbox"/>	Inward	<input type="checkbox"/>

Finish	Satin Stainless Steel	Polished Stainless Steel	PVD Stainless Polished Brass	PVD Stainless Satin Black
	<input type="checkbox"/>	<input type="checkbox"/>	<input type="checkbox"/>	<input type="checkbox"/>

Sill Channel or Threshold	Aluminium Threshold Open Out	Black	<input type="checkbox"/>	Silver	<input type="checkbox"/>
	Aluminium Support Channel & Polypropylene Guide Channel				<input type="checkbox"/>
	Polypropylene Guide Channel Only (if using own timber sill)				<input type="checkbox"/>

Intermediate Pivots Required	Yes	No
<small>** Door leaves over 2200mm will be supplied with intermediate pivots by default for Manufacturer's Guarantee. ** ** Recommended on all door heights (for aesthetics and support over time) but optional for doors under 2200mm high **</small>	<input type="checkbox"/>	<input type="checkbox"/>

Locking	Not Required	<input type="checkbox"/>	Multipoint Lock	<input type="checkbox"/>
	<small>(Specify type for lock)</small>			

Bolt Type	Flush Bolts	<input type="checkbox"/>	TwinPoint	<input type="checkbox"/>
-----------	-------------	--------------------------	-----------	--------------------------

Euro Cylinder	Not Required	<input type="checkbox"/>	Key Only	Thumb Turn	<input type="checkbox"/>
	1 Star Security Cylinder	<input type="checkbox"/>			
	3 Star Security Cylinder	<input type="checkbox"/>			

Handle	Surface Fit Pull Handle	<input type="checkbox"/>	Multipoint Handle	<input type="checkbox"/>	Flush Pull	<input type="checkbox"/>
	<small>(Specify type and finish for multipoint handle)</small>					

Weatherseal <small>(Tick if required)</small>		None	White	Brown	Black
	AQ21 Frame Seal	<input type="checkbox"/>	<input type="checkbox"/>	<input type="checkbox"/>	<input type="checkbox"/>
	AQ63 Door Perimeter Seal	<input type="checkbox"/>	<input type="checkbox"/>	<input type="checkbox"/>	<input type="checkbox"/>

Magnetic Door Catch <small>(Tick if required, either tick one or both)</small>	Projection Holdback Catch <small>(for traffic door)</small>	<input type="checkbox"/>	Magnetic Catch Set <small>(for between door leaf)</small>	<input type="checkbox"/>
---	--	--------------------------	--	--------------------------

Note

Send your completed enquiry forms to: Email sales@coastal-group.com, or Fax 01726 871 731, Or call us on 01726 871 025 to discuss your requirements

HENDERSON



SECUREFOLD BOTTOM ROLLING EXTERNAL BIFOLD DOOR SYSTEM

Doors supported along base, system can be installed without major overhead structural support.

Features & Benefits

- Components manufactured from 316 marine grade stainless steel making the system extremely corrosion resistant.
- Ideal for applications where there is limited overhead support such as orangeries, conservatories, out buildings and extensions.
- Eliminates the need for a large upper beam.
- Advanced roller system situated under the door for a clean look. When the doors are closed the system is barely visible.
- Doors can be easily adjusted vertically and laterally.
- Easy installation and smooth operation which can be adjusted both vertically & laterally within the framework.
- Rebated hinge meeting kits to allow for minimal clearance at meeting point.



Available in 4 finishes

Satin Stainless Steel
Polished Stainless Steel
PVD Stainless Polished Brass
PVD Stainless Satin Black

SSS

PSS

PPB

PBK

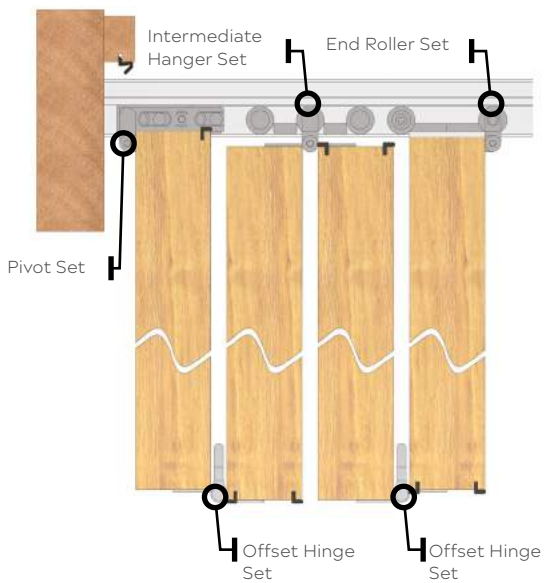


Specifications:

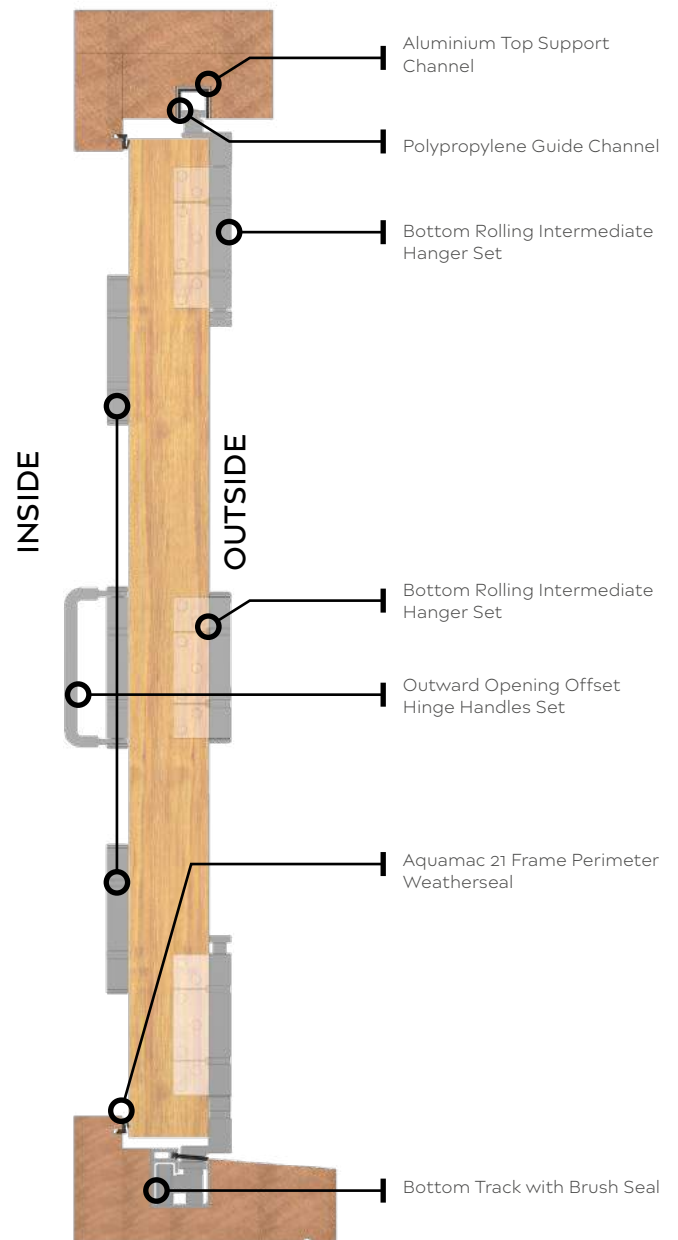
- Use: Internal or External
- Type: Bottom Rolling
- Opening: Outward
- Joinery Type: Non-mortice (contact us if Mortice version required)
- Max Leaf Weight: 80kg
- Max Leaf Width: 1000mm
- Max Leaf Height: 3000mm
- Leaf Thickness: 56 - 68mm



SECUREFOLD Plan View



SECUREFOLD Side Section



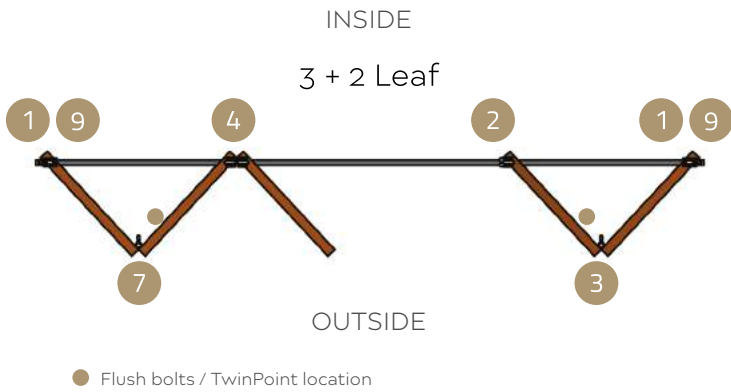
Optional TwinPoint Locking System

- Concealed top and bottom bolts lock the door from inside the system.
- An alternative to flush bolts which is operated by one simple turn using top and bottom throw rods to engage two points of locking.
- Slim profile gearbox makes it suit most stile designs.
- Designed to meet high demands for weathersealing, security and wind load.
- Suitable for inward and outward opening versions.
- Locking and non-locking versions.
- Max Leaf Height: 3300mm
- Leaf Thickness: 35 - 68mm



SECUREFOLD Bottom Rolling External Bifold Door System Hardware Configuration Example

The following components give an overview of the parts used in the SECUREFOLD Bottom Rolling External Bifold Door System in 3 + 2 leaf configuration.



Bottom Rolling Pivot Assembly
Non-Mortice



Intermediate Pivot Hinge (Optional)*
Non-Mortice



Offset Hinge Handles Set



Inline Hinge Handle Set



Bottom Rolling Intermediate Hanger Set



Bottom Rolling End Hanger Set
Non-Mortice



In addition to the components above, the following are included in the kit:

- Bottom Track
- Polypropylene Guide Channel
- Aluminium Support Channel

* For use with doors over 2200mm high, provides extra support if required.

Other accessories you might need are listed on page 153.

SECUREFOLD DOOR SYSTEM ENQUIRY FORM

No need for you to take the time to work out what components you need, just send us your completed enquiry form and we'll sort it for you.

Either complete and return the form below or scan QR code to complete the form online.

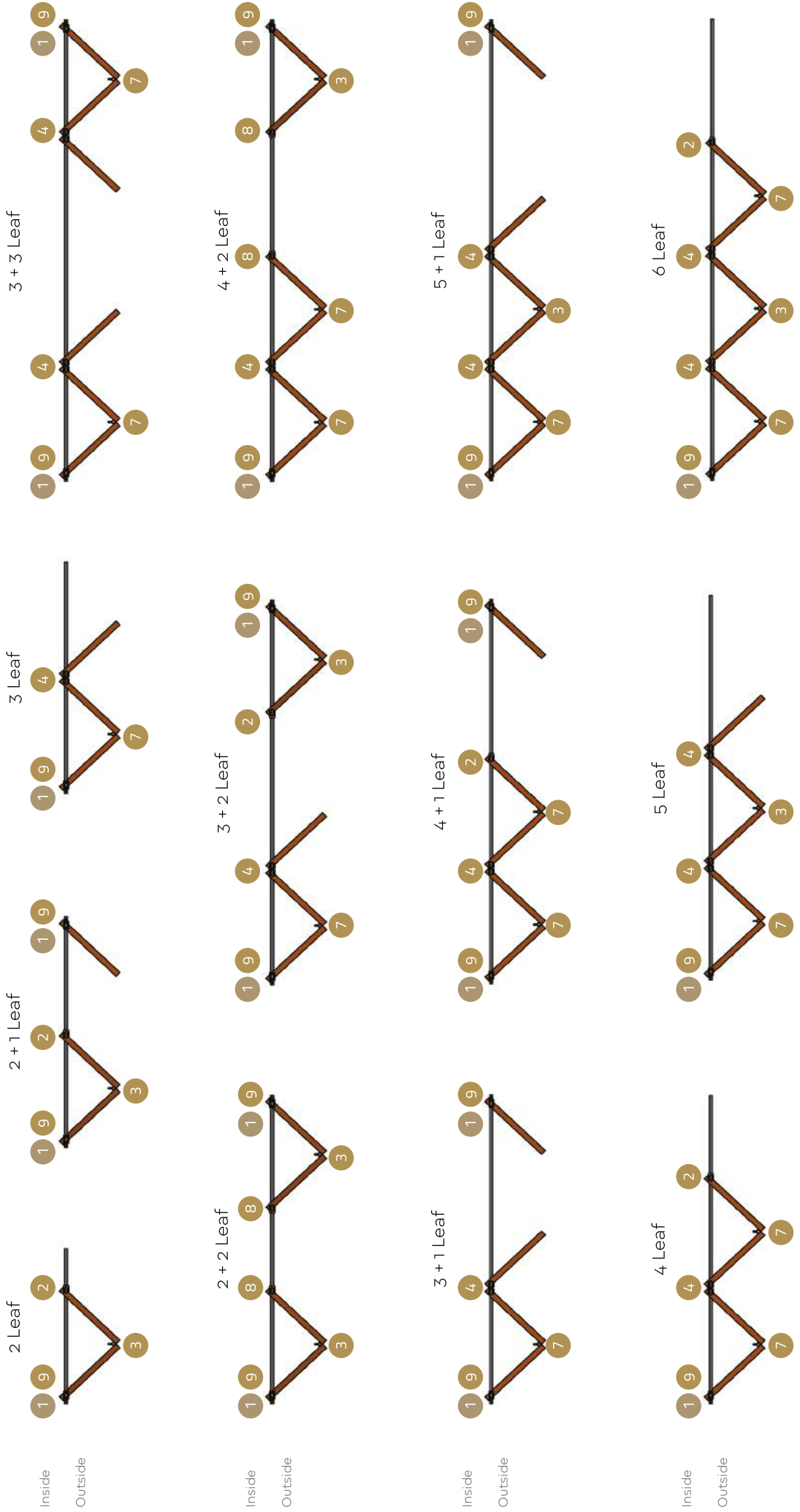


Company:		Postcode	
Contact Name		Telephone	
Email		Fax	
Customer Project Reference Name:		Quote	Order
Structural Opening Size	Width (mm)	Height (mm)	Door Thickness (mm) (Note: Leaf Thickness: 56-68mm)
Door Configuration <small>(Viewed from Outside)</small>	Left Hand Leaves		Right Hand Leaves
Opening	Outward	<input type="checkbox"/>	Inward
Finish	Satin Stainless Steel	Polished Stainless Steel	PVD Stainless Polished Brass
	<input type="checkbox"/>	<input type="checkbox"/>	PVD Stainless Satin Black
Intermediate Pivots Required			Yes
<small>** Door leaves over 2200mm will be supplied with intermediate pivots by default for Manufacturer's Guarantee. ** ** Recommended on all door heights (for aesthetics and support over time) but optional for doors under 2200mm high **</small>			No
Locking	Not Required	<input type="checkbox"/>	Multipoint Lock
	<small>(Specify type for lock)</small>		
Bolt Type	Flush Bolts	<input type="checkbox"/>	TwinPoint
Euro Cylinder	Not Required	<input type="checkbox"/>	
	1 Star Security Cylinder	<input type="checkbox"/>	Key Only
	3 Star Security Cylinder	<input type="checkbox"/>	
			Thumb Turn
Handle	Surface Fit Pull Handle	<input type="checkbox"/>	Multipoint Handle
	<small>(Specify type and finish for multipoint handle)</small>		
Weatherseal <small>(Tick if required)</small>		None	White
	AQ21 Frame Seal	<input type="checkbox"/>	<input type="checkbox"/>
	AQ63 Door Perimeter Seal	<input type="checkbox"/>	<input type="checkbox"/>
Magnetic Door Catch <small>(Tick if required, either tick one or both)</small>		None	White
	Projection Holdback Catch <small>(for traffic door)</small>	<input type="checkbox"/>	Magnetic Catch Set <small>(for between door leaf)</small>
Note			

Send your completed enquiry forms to: Email sales@coastal-group.com, or Fax 01726 871 731, Or call us on 01726 871 025 to discuss your requirements

BiFold Door Configurations for SECUREFOLD PRO and SECUREFOLD BOTTOM ROLLING Systems

OUTWARD OPENING





SECUREFOLD PRO and SECUREFOLD BOTTOM ROLLING Bifold Door System Accessories:

Bifold Traffic / Swing Door Handle



Part No.
SF10

Surface Fit Pull Handle



Lever Door Handle
see page 13.

Multipoint Lock & Keeps and Euro Cylinders

Multipoint locks see page 60.
Euro Cylinders see page 121.



Weatherseals

To view more information
see page 246.



Magnetic Door Catch



Part No.
CFB1-SSS

Projection Holdback Catch - prevents the lever handle from hitting the wall.



Part No.
CDW882-SSS

Magnetic Catch Set - between doors prevents doors from clashing.

Flush Bolts

Locking and non-locking versions (we recommend using the locking version on the bottom of the door and non-locking on the top).
For more details see pages 130 - 131.



Router Cutter for FB Flush Bolts



Part No.
FBCUTTER

Note: Actual cutter supplied may look different from image shown

Drilling Hinge Jig



Part No.
CF-JIG

Drainage Tube - for Timber Threshold



Part No.
DR-TUBE-8x1x200

STRAIGHT SLIDING DOOR SYSTEMS



HUSKY 120 PRO
Top Hung
Internal Sliding Door System



VOLO 120
Top Hung
External Sliding Door System



RULLO PLUS
Bottom Rolling
External Sliding Door System



INOWA
Bottom Rolling
External Sliding Door System



HS PORTAL V4 COMFORT UNIT
Bottom Rolling
External Lift & Slide Sliding Door System

HUSKY 120 PRO TOP HUNG INTERNAL SLIDING DOOR SYSTEM

A robust smooth running straight sliding door hardware system ideal for creating room dividers.

Features & Benefits

- Supplied with aluminium top track as standard to provide smooth and quiet operation.
- Low initial friction - making it lighter to open and close the door.
- Can be face fixed or soffit fixed.
- Wheels made from patented polymer to ensure longevity of life whilst offering an even operation
- Undergone over 100,000 cycle testing as standard
- Easy to install.
- Soft Close mechanism available.
- Available in a choice of product variations including Low Headroom and Simultaneous Action.
- Ten Year warranty.

Specifications:

- Use: Internal
- Type: Top Hung
- Max Leaf Weight: 120kg
- Max Panel Width: 1500mm
- Max Panel Height: 2700mm
- Leaf Thickness: 20-45mm

SYSTEM:
TOP HUNG

MAX
LEAF WEIGHT:
120kg

MAX
LEAF HEIGHT:
2700mm

Soft Close Mechanism (SOFTHP120)

The soft close system prevents the door from slamming - making it convenient and family friendly. For doors wider than 950mm.

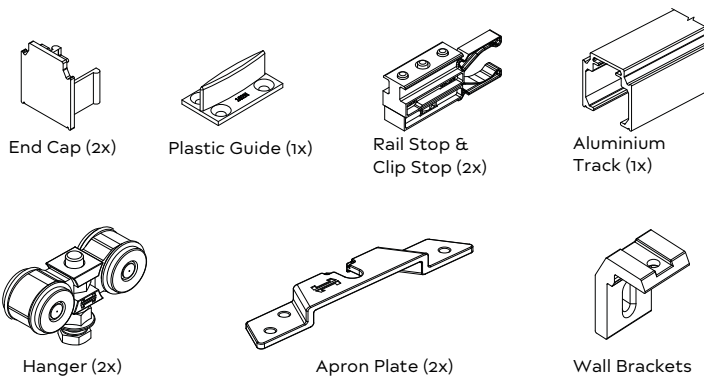
Husky 120 Pro Soft Close Kit Includes:

- Dual Soft close damper
- Activators



The Husky 120 Pro Standard Kit includes:

- Anodised aluminum track with mounting holes for soffit (ceiling) or face (wall) installation
- Hangers
- Easy access apron plate
- Wall brackets
- End caps
- Rail stop and clip stop
- Plastic guide



You will also need

- Flush pulls/handles

KIT AND DOOR SPECIFICATION					
KIT CODE	TRACK LENGTH	MAX DOOR HEIGHT	MAX DOOR WIDTH	MAX DOOR THICKNESS	MAX DOOR WEIGHT
H120-15A	1500mm	2700mm	800mm	20-45mm	120kg
H120-18A	1800mm	2700mm	950mm	20-45mm	120kg
H120-20A	2000mm	2700mm	1000mm	20-45mm	120kg
H120-25A	2500mm	2700mm	1250mm	20-45mm	120kg
H120-30A	3000mm	2700mm	1500mm	20-45mm	120kg

Husky 120 Pro upgrade options available:

Purchased in addition to the standard kit.



HUSKY 120 PRO Low Headroom Kit (LHP120)

The kit is designed to reduce the clearance between the track and top of the door to 2mm - making the hardware hardly visible.



HUSKY 120 PRO Simultaneous Kit (SIMHP120)

By moving one door, the other door will open or close simultaneously.



HUSKY 120 PRO INTERNAL SLIDING DOOR SYSTEM

ENQUIRY FORM

No need for you to take the time to work out what components you need, just send us your completed enquiry form and we'll sort it for you.

Either complete and return the form below or scan QR code to complete the form online.



Company:		Postcode	
Contact Name		Telephone	
Email		Fax	
Customer Project Reference Name:		Quote	<input type="checkbox"/> Order <input type="checkbox"/>
Structural Opening Size <small>(Note: Leaf Thickness: 20-45mm)</small>			
WIDTH (mm)	HEIGHT (mm)	DOOR THICKNESS (mm)	
Scheme Selection <small>(Tick the scheme you require)</small>			
 <input type="checkbox"/>		 <input type="checkbox"/>	
<small>Can either slide independently or simultaneously</small>			
Upgrade Options <small>(add ons to the Husky Pro 120 standard kit)</small>			
Scheme A Upgrade Options <small>(either choose one or both)</small>		Scheme C Upgrade Options <small>(either choose one or both)</small>	
SOFT CLOSE <input type="checkbox"/>	LOW HEADROOM KIT <input type="checkbox"/>	LOW HEADROOM KIT <input type="checkbox"/>	SIMULTANEOUS KIT <input type="checkbox"/>
Handle	Flush Pull <input type="checkbox"/>	Other <input type="checkbox"/>	
	<small>(Other: Specify type and finish)</small>		
Note			

Send your completed enquiry forms to: Email sales@coastal-group.com, or Fax 01726 871 731, Or call us on 01726 871 025 to discuss your requirements

HENDERSON

VOLO™ 120 TOP HUNG STRAIGHT SLIDING DOOR SYSTEM

Top hung straight sliding door gear for doors weighing up to 120kg.

Features & Benefits

- Extremely durable and ideal system for coastal locations or acidic timber.
- Components manufactured from 316 Marine Grade Stainless Steel for improved corrosion resistance.
- Designed for one sliding panel or two bi-parting doors on a single track.
- Soffit or face fixed track for flexibility of installation.
- Can be used on window systems also.
- Hangers also available for MDF or slim panel doors, contact us for more information.



Specifications:

- Use: Internal or External
- Type: Top Hung
- Max Leaf Weight: 120kg
- Max Leaf Height: 3000mm
- Max Leaf Width: 1200mm
- Leaf Thickness: 19 - 48mm



*If your leaf thickness is outside of above measurements then contact us to discuss your requirements

Volo™ 120 Straight Sliding Door System components (depending on scheme selected).

Face Fix Single Hanger Bracket



1-SS

Aluminium Top Track Stop



VG40

Concealed Plate Fixing Top Hanger Mortice



57-120-SS

Aluminium Top Track



120

Top Track Brush Seal



PS-120-SS

Concealed Fixing Bottom Roller Guide



106SS-94

Polypropylene Bottom Guide Channel

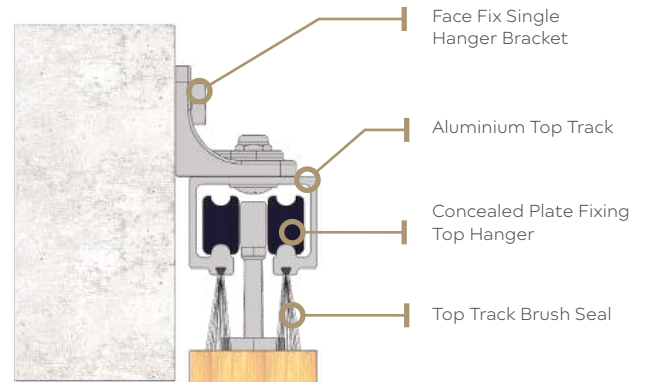


T94P

Aluminium Bottom Support Channel



T94SC



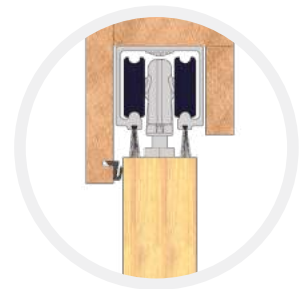
Face Fix Single Hanger Bracket

Aluminium Top Track

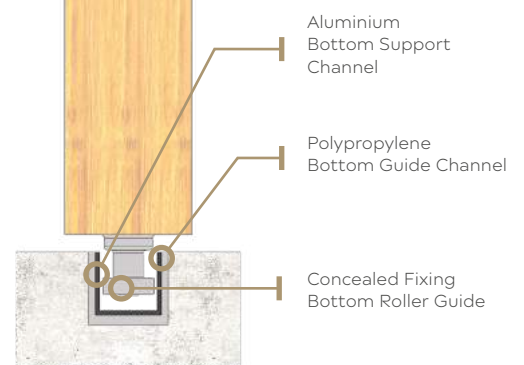
Concealed Plate Fixing Top Hanger

Top Track Brush Seal

Face Fix Method Shown
(side view)



Soffit fixed track



Aluminium Bottom Support Channel

Polypropylene Bottom Guide Channel

Concealed Fixing Bottom Roller Guide

Other accessories you might need:



Handles & Flush Pulls



Euro Cylinder



Weatherseal

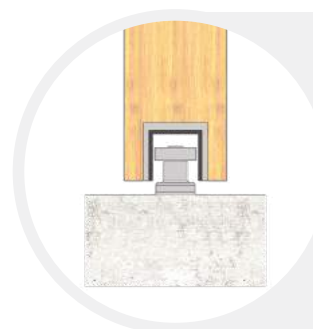
Lock and Keep Options



Yale Paddock Lockmaster
6 hook lock points



CL180-63-SSS
Hook Bolt



Note: Bottom Roller Guide can also be mounted on floor and channel rebated into bottom of door leaf. Ideal for use as Room Dividers

VOLO™ 120 TOP HUNG STRAIGHT SLIDING DOOR SYSTEM

ENQUIRY FORM

No need for you to take the time to work out what components you need, just send us your completed enquiry form and we'll sort it for you.

Either complete and return the form below or scan QR code to complete the form online.



Company:		Postcode	
Contact Name		Telephone	
Email		Fax	
Customer Project Reference Name:		Quote	<input type="checkbox"/> Order <input type="checkbox"/>

SCHEME SELECTION

(Tick the scheme you require)

A <input type="checkbox"/>	D <input type="checkbox"/> <small>(internal use only)</small>
G2 <input type="checkbox"/>	C <input type="checkbox"/>
E <input type="checkbox"/>	

STRUCTURAL OPENING SIZE

(Note: Leaf Thickness: 19 - 48mm)

WIDTH (mm)	HEIGHT (mm)	DOOR THICKNESS (mm)

Weatherseal	AQ21 Frame Seal	None <input type="checkbox"/>	White <input type="checkbox"/>	Brown <input type="checkbox"/>	Black <input type="checkbox"/>
Handle	Flush Pull <input type="checkbox"/>	KM9 Series Patio Handle <input type="checkbox"/>			
Locking	Not Required <input type="checkbox"/>	Yale Paddock Multipoint Lock <input type="checkbox"/>	Euro Profile Hook Lock <input type="checkbox"/>		
Euro Cylinder	Not Required <input type="checkbox"/>				
	1 Star Security Cylinder <input type="checkbox"/>	Key Only <input type="checkbox"/>	Thumb Turn <input type="checkbox"/>		
3 Star Security Cylinder <input type="checkbox"/>					

Note

RULLO PLUS™ BOTTOM ROLLING STRAIGHT SLIDING DOOR SYSTEM

Allows doors to be installed where there is limited overhead structural support.

Features & Benefits

- High security locking or non-locking options available.
- Any number of doors can be used on single or multiple lines of rail that can slide to one or both sides of the opening.
- Central parting door configurations possible.
- Simple mechanism to easily adjust the height.
- Doors must be constructed with bottom rails of at least 150mm depth to accommodate the concealed, morticed bottom rollers.
- Can be used on window systems also.



Specifications:

- Use: Internal or External
- Type: Bottom Rolling
- Max Leaf Weight: 200kg
- Max Leaf Width: 3000mm
- Max Leaf Height: 2400mm
- Leaf Thickness: 40 - 56mm



*If your leaf thickness is outside of above measurements then contact us to discuss your requirements

Rullo Plus™ Straight Sliding Door System components (depending on scheme selected).

Adjustable Bottom Roller Set



57-120-SS

Sliding Door Stop



HS16

Bottom Rolling Rail - Bronze



915B

Polypropylene Guide Channel



T94P

Concealed Fixing Roller Guide

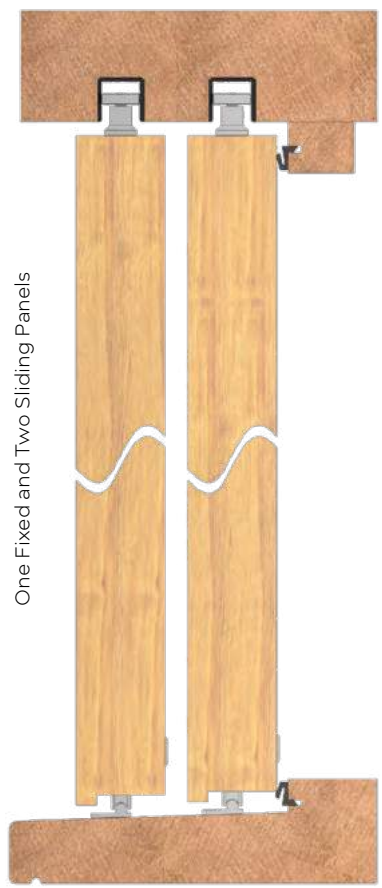
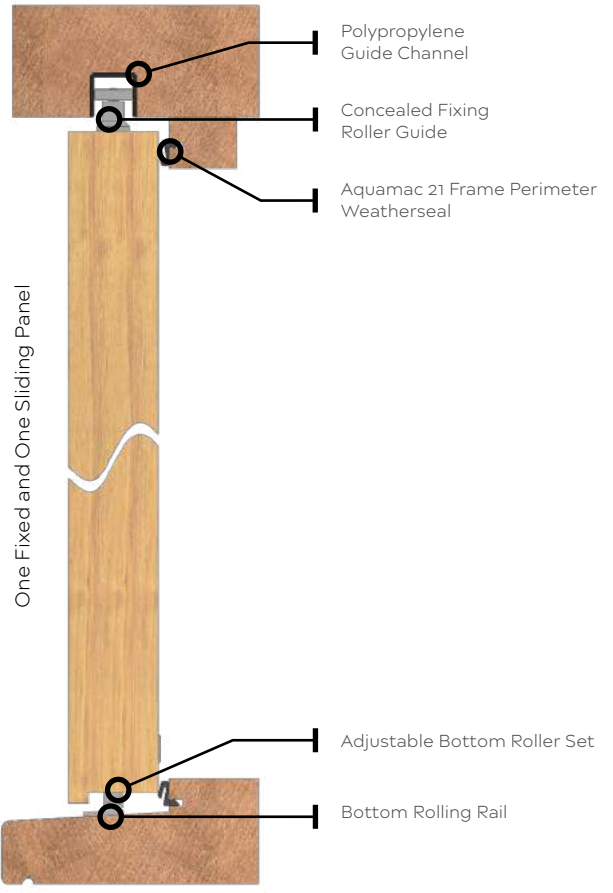


106SS-94

Aluminium 10mm Meeting Stile Kit - inc flipper and seal



HS19-KIT-SV



Other accessories you might need:



Handles & Flush Pulls



Euro Cylinder



Weatherseal

Lock and Keep Options



Yale Paddock Lockmaster 6 hook lock points



CL180-63-SSS Hook Bolt

Drainage Tube

- for Timber Threshold



Part No. DR-TUBE-8x1x200

RULLO PLUS™ STRAIGHT SLIDING DOOR SYSTEM

ENQUIRY FORM

No need for you to take the time to work out what components you need, just send us your completed enquiry form and we'll sort it for you.


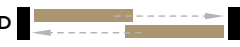



Either complete and return the form below or scan QR code to complete the form online.



Company:		Postcode	
Contact Name		Telephone	
Email		Fax	
Customer Project Reference Name:		Quote	<input type="checkbox"/> Order <input type="checkbox"/>

SCHEME SELECTION

(Tick the scheme you require)

A 	<input type="checkbox"/>	D 	<input type="checkbox"/>
(internal use only)			
G2 	<input type="checkbox"/>	C 	<input type="checkbox"/>
E 			<input type="checkbox"/>

STRUCTURAL OPENING SIZE

(Note: Leaf Thickness: 40 - 56mm)

WIDTH (mm)	HEIGHT (mm)	DOOR THICKNESS (mm)			

Weatherseal	AQ21 Frame Seal	None <input type="checkbox"/>	White <input type="checkbox"/>	Brown <input type="checkbox"/>	Black <input type="checkbox"/>
Handle	Flush Pull <input type="checkbox"/>	KM9 Series Patio Handle <input type="checkbox"/>			
Locking	Not Required <input type="checkbox"/>	Yale Paddock Multipoint Lock <input type="checkbox"/>	Euro Profile Hook Lock <input type="checkbox"/>		
Euro Cylinder	Not Required <input type="checkbox"/>				
	1 Star Security Cylinder <input type="checkbox"/>	Key Only <input type="checkbox"/>	Thumb Turn <input type="checkbox"/>		
	3 Star Security Cylinder <input type="checkbox"/>				

Note

Send your completed enquiry forms to: Email sales@coastal-group.com, or Fax 01726 871 731, Or call us on 01726 871 025 to discuss your requirements



Window & Door
Technology

INOWA BOTTOM ROLLING EXTERNAL SLIDING DOOR SYSTEM

Intelligent hardware, tightly sealed sliding systems to keep out the weather and unwanted visitors.

Smooth and effortless operation

Roto Patio Inowa is mainly set apart by its innovative closing movement pulling the sliding sash perpendicular to the frame profile.

Integrated ball bearing and brushes in the roller unit ensures smooth running even in large heavy sashes.

The Stabilisation unit on the bottom of the sliding sash provides an additional locking point to ensure consistent gasket compression.



Specifications:

- Use: External
- Type: Bottom Rolling
- Max Leaf Weight: 200kg or 400kg (size dependent)
- Sash Rebate Height: 600 - 3,600mm
- Sash Rebate Width: 710 - 3,000mm (w/o soft function)
920 - 3,000mm (with soft function)
- Sash Thickness: 88mm



Performance Details:

- Water tightness (driving rain) Class E1500 (BS EN 1027:2000, BS EN 12208:2000).
- Air permeability Class 4 (BS EN 1026:2000, BS EN 12207:2000).
- Wind resistance Class C5 (BS EN 12211:2016, BS EN 12210:2016).
- Burglar resistance Class RC2.
- Corrosion protection Class 5 (EN ISO 9227, EN 1670)

Features & Benefits



EXTREME WEATHER PROTECTION

Permanent tight seal against wind, water and noise, even in extreme weather conditions, thanks to the circumferential gasket and active control of all locking points.

HIGH SECURITY

Multiple locking points around the door combined with an anti-pushback function in the mullion prevents lateral movement and jemmying.

INNOVATIVE CLOSING

Innovative closing movement perpendicular to the frame profile provides effortless opening and closing of the door.



SLIM PROFILE

Compact and concealed hardware technology allows for slimline profiles.

LOW THRESHOLD

Enables barrier-free access according to DIN 18040.

SoftStop Feature

Soft close function helps prevent damage or injury to the sash, frame and user.

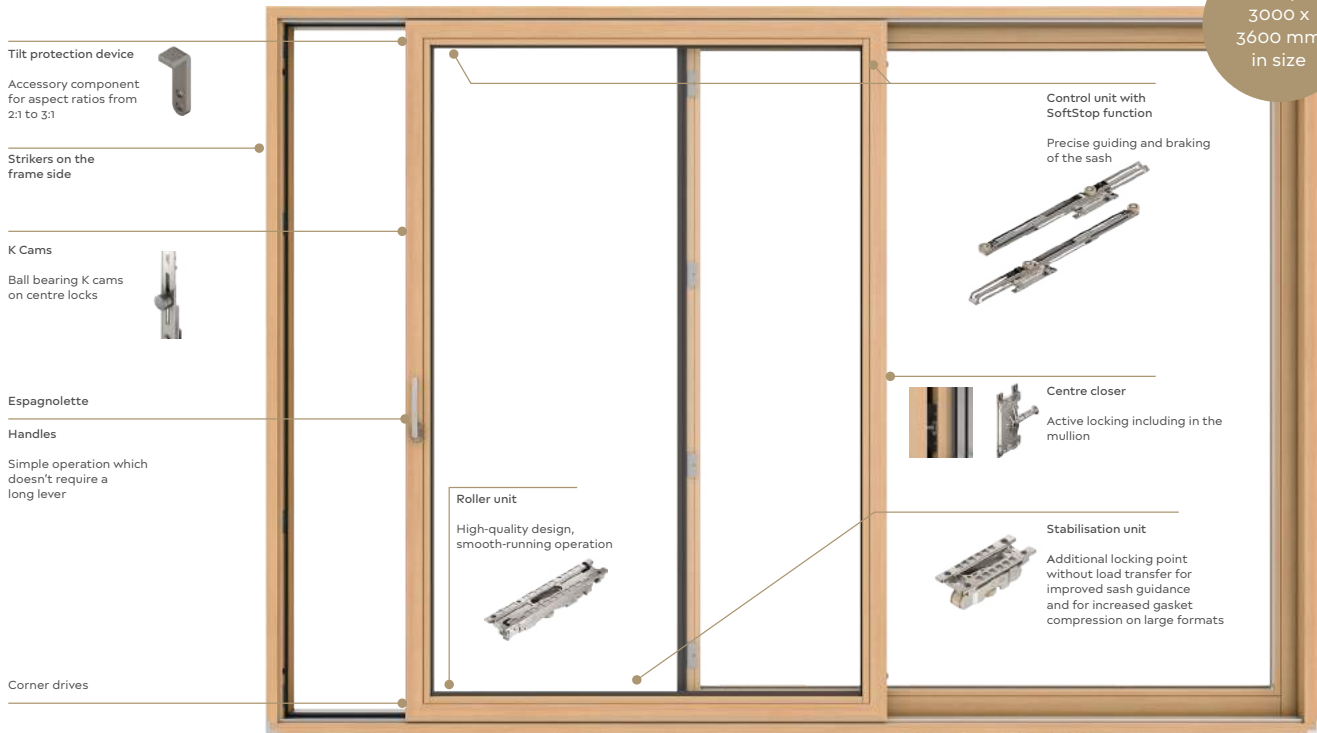


ROTO PATIO INOWA HARDWARE COMPONENTS



Suitable for use with Accoya

Hardware is coated with best-in-class NanoSil Level 6 surface protection



Quick and Easy to Install

Roto Patio Inowa is seamlessly integrated into production processes, as just a few screw fixings are required.

Sophisticated components and assembly aids such as drilling jigs for the roller unit, control and stabilisation unit ensure rapid installation – including on site.



INOWA BOTTOM ROLLING EXTERNAL SLIDING DOOR SYSTEM

ENQUIRY FORM

No need for you to take the time to work out what components you need, just send us your completed enquiry form and we'll sort it for you.

Either complete and return the form below or scan QR code to complete the form online.



Company:		Postcode	
Contact Name		Telephone	
Email		Fax	
Customer Project Reference Name:		Quote	<input type="checkbox"/> Order <input type="checkbox"/>

SCHEME SELECTION

(Tick the scheme you require. Gold door in below diagrams denotes a sliding leaf.)

<input type="checkbox"/>	<input type="checkbox"/>
<input type="checkbox"/>	<input type="checkbox"/>

SASH REBATE SIZES

(Note: Leaf Thickness 88mm)

SASH REBATE WIDTH (mm)	SASH REBATE HEIGHT (mm)	SASH THICKNESS (mm)

Handle	Internal Lever & External Flush Pull <input type="checkbox"/>		
Handle Finish	Black <input type="checkbox"/>	Silver <input type="checkbox"/>	White <input type="checkbox"/>
Soft Open Function	YES <input type="checkbox"/>		NO <input type="checkbox"/>

Note

Send your completed enquiry forms to: Email sales@coastal-group.com, or Fax **01726 871 731**, Or call us on **01726 871 025** to discuss your requirements

SIEGENIA®

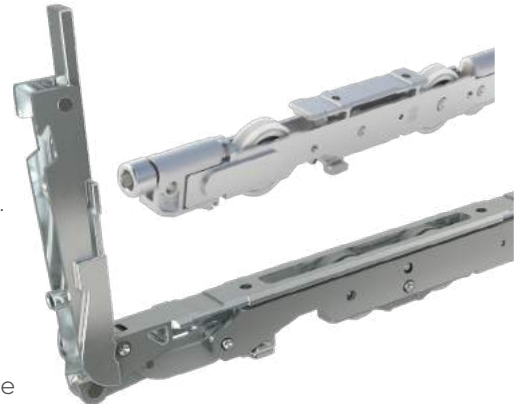
brings spaces to life

HS PORTAL - VERSION 4 - COMFORT UNIT BOTTOM ROLLING LIFT & SLIDE DOOR SYSTEM

The ultimate straight sliding door system. Enhanced design combines looks with performance.

Features and Benefits

- Tried and tested weathersealing performance for Air Permeability, Water Tightness and Wind Resistance under BS 6375-1:2015+A1:2016.
- Security tested locking system and interlocking security sealing rails.
- Quicker and easier to machine and assemble - a more cost effective and time saving lift and slide solution.
- Low maintenance threshold.
- Designed and manufactured by Siegenia in Germany to bring you the ultimate in Lift and Slide Door design and engineering technology.



Specification

- Use: External
- Type: Bottom Rolling
- Sash Thickness: 68mm
- Max Leaf Weight: 400kg
- Frame Height: 1,312 - 2,800mm
- Frame Width:
 - Scheme A: 1,733 - 6,709mm
 - Scheme C: 3,348 - 10,000mm
 - Scheme G2: 2,580 - 10,000mm
 - Scheme E: 2,500 - 9,969mm
 - Scheme L: 4,886 - 10,000mm



Performance Details

- Cycle Tested to 22,000 Cycles at 400kg.
- Water Tightness Tested to BS EN:1027:2000, BS EN 12208:2000, Class 7A.
- Air Permeability Tested to BS EN 1026:2016, BS EN 12207:2000, Class 4.
- Wind Resistance Tested to BS EN 12211:2016, BS EN 12210:2016, Class C5.
- Burglar resistance of RC2 as standard. Can be increased to RC3 with fitting of additional components.



Comfort Unit - designed to revolutionise your Lift & Slide manufacturing process

- Complete package supplied bespoke to your door opening size.
- This includes ECO PASS threshold – complete with frame corner connector and rails - all seals and other components such as bogie wheels, running gear and locking system all cut to size, pre-drilled and pre-assembled.
- Removes waste and fabrication risks.



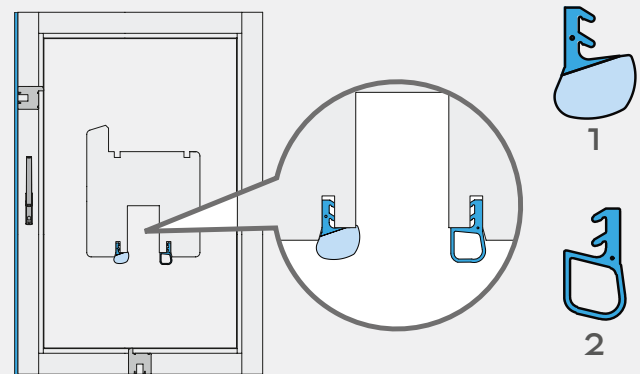
Enhanced Sealing Rails

- Effective protection from condensation, wind and driving rain.
- Excellent compression.
- Quick fabrication.



Optimised Weatherseals

The weatherseals for the inside and outside grooves of the sliding sash have been redesigned to fit more closely with sash tolerances



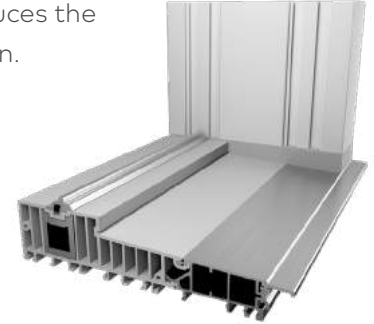
1. Foam filled seal for the outside groove of sliding sash
2. Hollow chamber seal for the inside groove of sliding sash

HS PORTAL - Version 4 - Comfort Unit Features

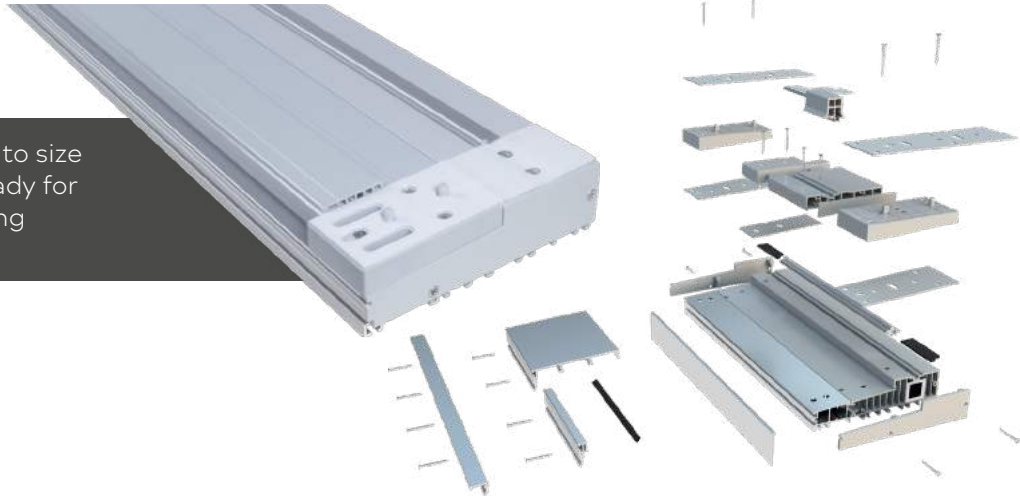


ECO PASS Aluminium Threshold

- Supplied bespoke to your door opening size pre-cut, pre-drilled and pre-assembled.
- Includes jamb blocks for quick connection to your frame.
- 10-chamber design provides optimal thermal insulation and energy efficiency.
- Thermal break reduces the risk of condensation.
- Low profile design.
- Provides better durability and stability than timber threshold.



Threshold supplied cut to size and fully assembled ready for the frame mount - saving you time



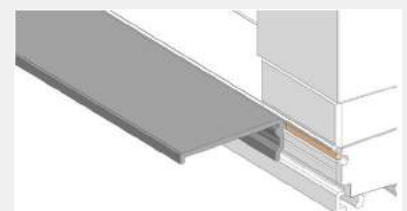
ECO PASS Threshold - Barrier Free Option

- The Eco Pass Threshold is available as a barrier free option so you can run your threshold flush with the external ground/patio floor level.
- 5-mm running rail and barrier-free threshold without inclines for a barrier-free system in accordance with DIN 18040-2 for disabled access.
- Provides an aesthetically pleasing flush floor design from inside to out.
- Excellent watertightness thanks to drainage over two levels.



ECO PASS Threshold - Weatherside Profile Options

Weatherside profile option covers the gap between the threshold and the external ground area.



Available in various widths



8x

Running Gear

- Optimised, self-aligning load distribution across 8 rollers for an effortless sliding motion and less wear.
- Low profile running gear enables slimmer sash profiles with up to 12mm less groove depth.
- Designed to easily slide a sash up to 400kg weight.
- Rollers can be quickly and easily adjusted on site.



Night vent feature



Keeps fit flush into frame

Hook Bolt Locking Gear

- Up to three hook bolts, with integrated blocking function, ensure effective sealing and high burglar resistance of RC2 as standard.
- The flush mounted frame keeps and retractable hook bolts on the sash meaning there are no protruding hardware components in the gap area when the door is open.
- Night vent feature.
- Concealed pressure adjustment +/- 2mm.
- The gear damper ensures a backlash-free connection between handle and gear when operating heavy sashes.

Soft Close Option

- Fully concealed in the sash.
- Brakes the sash gently just before the closed position and then pulls it shut automatically.
- Prevents damage and injury caused by improper operation.
- Automatically adapts to each sash position and compensates for tolerances.
- Maintenance-free.





The Finishing Touches

Handles

- BLU™ KM7 Series Lift & Slide Handles provide quality you can feel every time you open the door.
- Made from 316 Marine Grade Stainless Steel to provide the best protection from corrosion.
- 2-stage click operation provides superior operation.
- Available in a number of configurations to best suit your requirements such as lever/lever or lever/flush pull see page 36.



Other finishes are available in our LS1120 handle, made from brass.



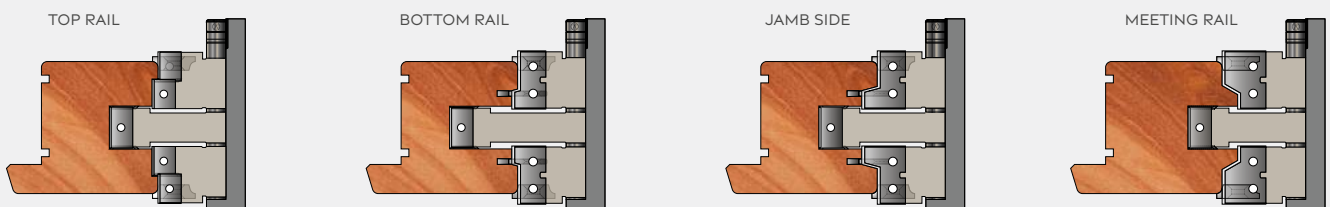
Elegant Kubus Sash Cover Caps

Stainless steel sash caps provide an elegant finishing touch hiding the running gear groove.



Tooling Solution

Speed up your HS Portal V4 Comfort Unit machining process with our Tooling Solutions - available to hire or purchase, see page 280



HS PORTAL - VERSION 4 - COMFORT UNIT LIFT & SLIDE DOOR SYSTEM ENQUIRY FORM

No need for you to take the time to work out what components you need, just send us your completed enquiry form and we'll sort it for you.

Either complete and return the form below or scan QR code to complete the form online.



Company:		Postcode	
Contact Name		Telephone	
Email		Fax	
Customer Project Reference Name:		Quote	<input type="checkbox"/> Order <input type="checkbox"/>

SCHEME SELECTION

(Tick the scheme you require. Gold door in below diagrams denotes a sliding leaf.)

A		<input type="checkbox"/>	A		<input type="checkbox"/>
G2		<input type="checkbox"/>	G2		<input type="checkbox"/>
C		<input type="checkbox"/>			
E			L		

If you require Scheme E or Scheme L please contact us to discuss as extra assembly is required.

STRUCTURAL OPENING SIZE



(Please note for 68mm thick sashes only.)

WIDTH (mm)	HEIGHT (mm)	DOOR THICKNESS (mm)
		68mm





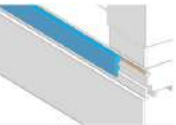
Handle	Internal Lever & External Flush Pull <input type="checkbox"/>	Internal & External Levers <input type="checkbox"/>
--------	---	---

Handle Finish	316 Satin Stainless Steel	Polished Chrome	Satin Chrome	Bronze	Polished Brass
	<input type="checkbox"/>	<input type="checkbox"/>	<input type="checkbox"/>	<input type="checkbox"/>	<input type="checkbox"/>

Soft Close <small>(*Soft Close only available if leaves meet minimum and maximum width requirements.)</small>	None <input type="checkbox"/>	On Close* <input type="checkbox"/>	On Open* <input type="checkbox"/>	Both <input type="checkbox"/>
--	-------------------------------	------------------------------------	-----------------------------------	-------------------------------

Threshold	Standard	Barrier Free
	 <input type="checkbox"/>	 <input type="checkbox"/>

WEATHERSIDE PROFILE

None <input type="checkbox"/>	20mm Profile <input type="checkbox"/>	50mm Profile <input type="checkbox"/>	90mm Profile <input type="checkbox"/>	Seal Strip Short <input type="checkbox"/>
				

Note

WINDOW SYSTEMS



MACO Tricoat-Evo
Tilt & Turn Window and
Juliet Balcony System



Tritus Flush Casement
Window System



MACO Tricoat-Evo
MKV Shootbolt
Window System - EBM



Excalibur
Shootbolt Window System



TRITUS™ FLUSH CASEMENT WINDOW SYSTEM

- Tritus uses components from a number of manufacturers including IPA
- The Tritus Window System is the most efficient solution for manufacturing traditional or contemporary looking Flush Casement Windows.
- Tritus combines a traditional looking window with modern performance, including consistent compression.
- It enables systemising of your casement window production whilst still providing a bespoke looking window.
- Speed up your window manufacturing process with pre-processed sections.
- With the Tritus Window System you can produce bespoke windows in multiple configurations using the same grooves in the sash and frame.



All window hardware is quickly and easily installed into these pre-machined grooves on sash and frame providing a fast and efficient production process.

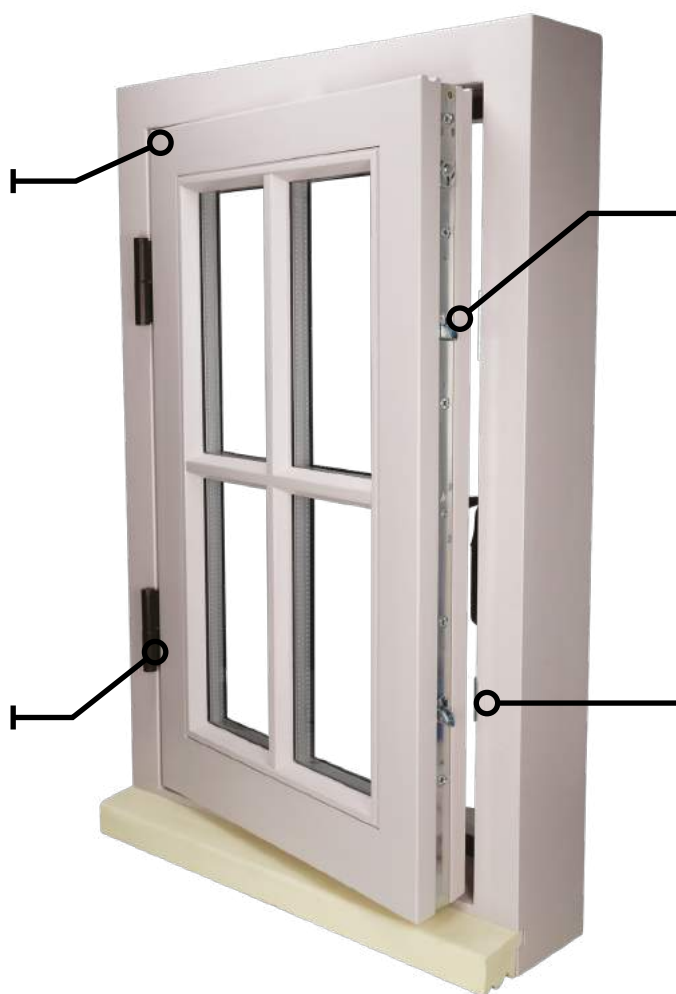


Friction Brake Arm Kit -
For use on side hung windows with Tritus lift-off butt hinges and ear type espag bolts. Enables the casement window to be opened and held securely in any one position.

Note: cannot be used in conjunction with top and bottom shootbolts.



Lift-Off Butt Hinge -
Can be either top hung or side hung. Friction hinge also available.



Espag Bolts -



Ear Type



Mushroom Type -
for top hung windows only

Espag Bolts Keeps



Keep for Ear Type
Espag Bolt



Keep for
Mushroom Type

Window above shown using Lift-Off Butt Hinges (FH70)



Side Hung with Butt Hinges



Side Swing 90°

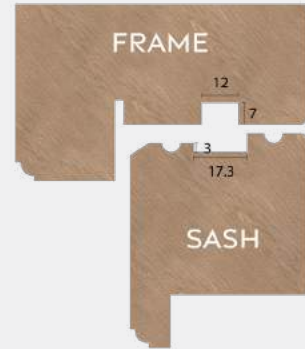


Top Hung Canopy Stay

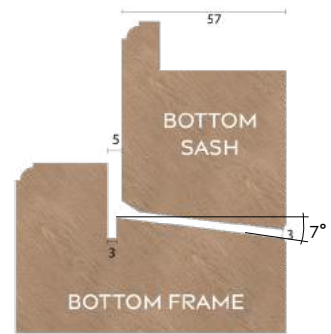
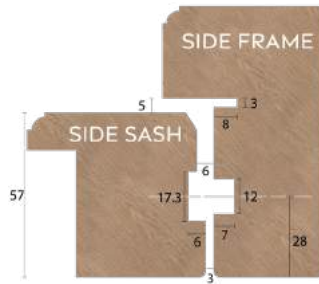
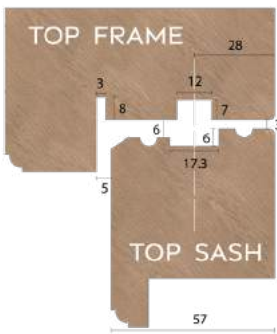
Tritus™ is an incredibly flexible way of offering multiple window configurations using the same 2-groove process.

Quick installation of hardware can be achieved with the standard 17.3mm x 3mm groove in the sash and 12mm x 7mm groove in the frame.

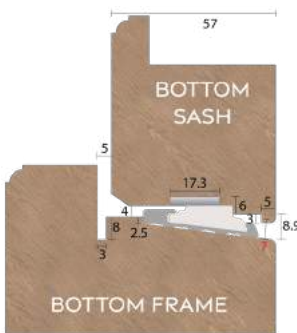
For detailed CAD drawings and files to help you manufacture this system please contact us on sales@coastal-group.com.



STANDARD BUTT HINGE PROFILE



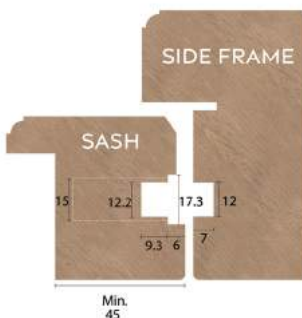
SIDE HUNG FRICTION HINGE SIII DETAIL



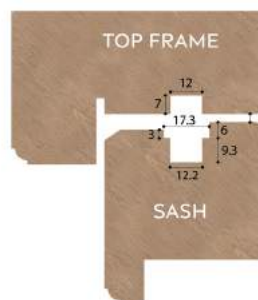
Extra cut-out section on Bottom Sash for friction hinge

Ask about our sample kit to try the Tritus Window System for yourself on sales@coastal-group.com or 01726 871 025.

LOCK EDGE DETAIL



EXTRA MACHINING DETAIL - FRICTION BRAKE ARM



"The most efficient solution for manufacturing a flush casement window which maintains the traditional image but provides modern performance"



PART NUMBER	PRODUCT DESCRIPTION	FINISH	UNITS
FE0440-KIT-SV	440mm side hung 12mm ear espag	SV	Each
FE0440-15-KIT-SV	440mm side hung 15mm ear espag	SV	Each
FE0520-KIT-SV	520mm side hung 12mm ear espag	SV	Each
FE0520-15-KIT-SV	520mm side hung 15mm ear espag	SV	Each
FE0600-KIT-SV	600mm side hung 12mm ear espag	SV	Each
FE0600-15-KIT-SV	600mm side hung 15mm ear espag	SV	Each
FE0720-KIT-SV	720mm side hung 12mm ear espag	SV	Each
FE0720-15-KIT-SV	720mm side hung 15mm ear espag	SV	Each
FE0820-KIT-SV	820mm side hung 12mm ear espag	SV	Each
FE0820-15-KIT-SV	820mm side hung 15mm ear espag	SV	Each
FE0920-KIT-SV	920mm side hung 12mm ear espag	SV	Each
FE0920-15-KIT-SV	920mm side hung 15mm ear espag	SV	Each
FE1020-KIT-SV	1020mm side hung 12mm ear espag	SV	Each
FE1020-15-KIT-SV	1020mm side hung 15mm ear espag	SV	Each
FE1120-KIT-SV	1120mm side hung 12mm ear espag	SV	Each
FE1120-15-KIT-SV	1120mm side hung 15mm ear espag	SV	Each
FE1220-KIT-SV	1220mm side hung 12mm ear espag	SV	Each
FE1220-15-KIT-SV	1220mm side hung 15mm ear espag	SV	Each
FE1320-KIT-SV	1320mm side hung 12mm ear espag	SV	Each
FE1320-15-KIT-SV	1320mm side hung 15mm ear espag	SV	Each
FE1420-KIT-SV	1420mm side hung 12mm ear espag	SV	Each
FE1420-15-KIT-SV	1420mm side hung 15mm ear espag	SV	Each
FE2110-KIT-SV	2110mm side hung 17mm ear espag	SV	Each

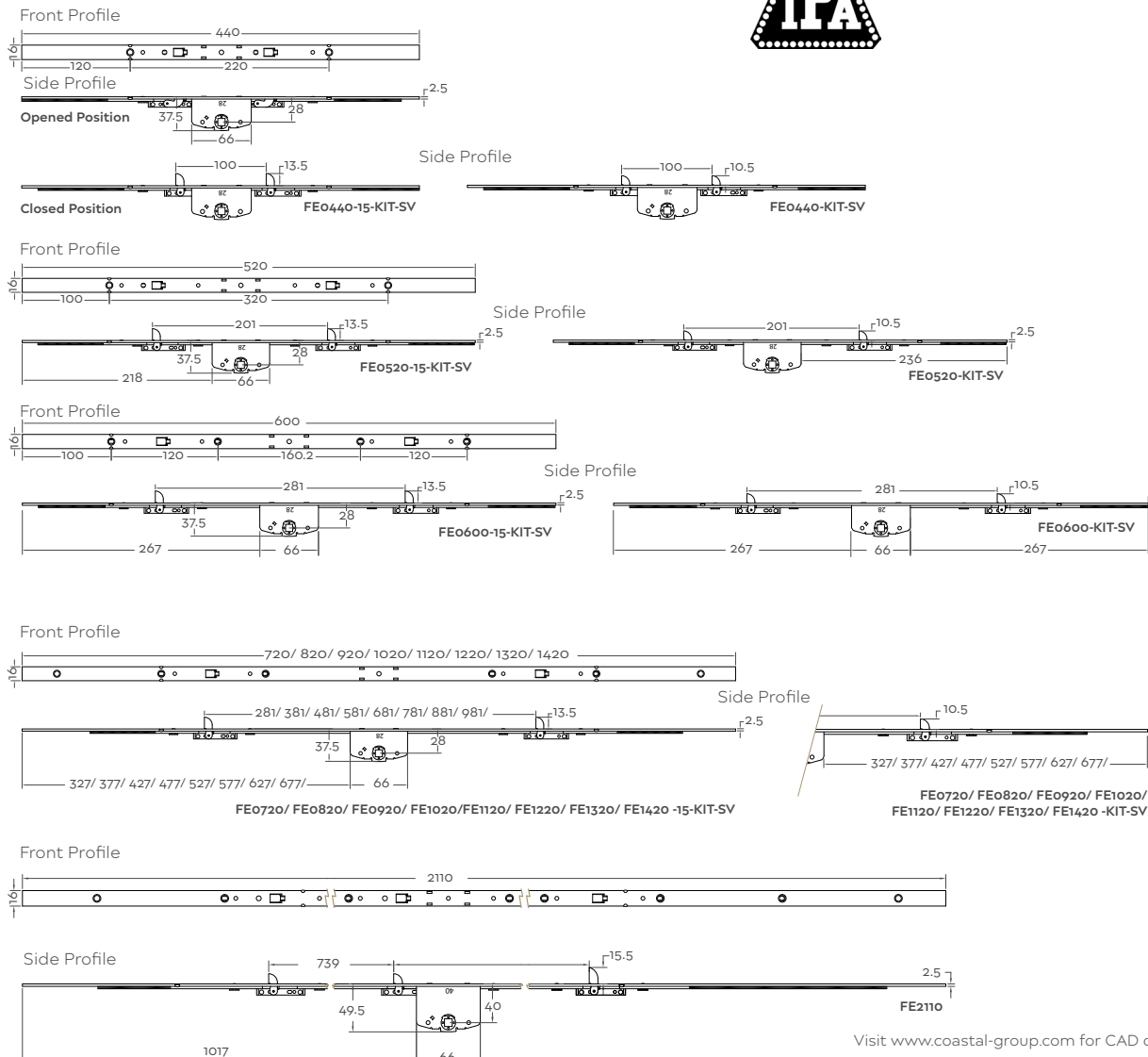
Tritus™ Flush Casement Ear Type (Central) Espag Bolts

- IPA Ear type window espagnolette bolt for the Tritus Flush Casement Window System.
- Quick to install within the Tritus groove in the sash.
- Croppable up to 60mm from either end.
- Fitted with 12mm or 15mm ear bolts (17mm on FE2110) and use a 16mm faceplate, with the lock case central to the length of the faceplate.
- All sizes have a 28mm backset and 2 points of locking apart from the FE2110, which has a backset of 40mm and 3 points of locking.
- Successfully used on our Part Q Test (applies to bolts from FE0440 to FE1120).
- Supplied with a 7-8mm spindle increaser to suit most espag handles.

Note: If you are using these espagnolette bolts on a pair of flush casements without a centre mullion, you will need to remove the ear bolts, and attach a FC4050 shootbolt extension set, please refer to the sash height's measurements to choose the correct length bolt when using the shootbolt extension sets.



FE0440 shown (Locked position)



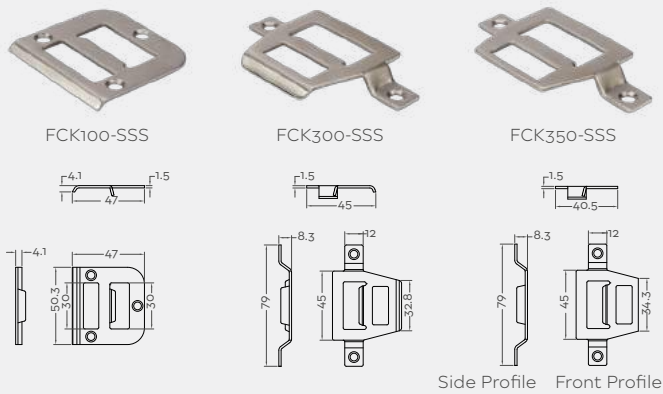
Visit www.coastal-group.com for CAD drawings

Tritus™ Flush Casement Side Hung Keep (Night vent)



- Side hung keeps for the Tritus™ Flush Casement Window System ear type espag bolts.
- Night vent feature.
- Available in surface mount or groove in frame.

PART NUMBER	PRODUCT DESCRIPTION	FINISH	UNITS
FCK100-SSS	Surface mount side hung flat night vent keep	SSS	Each
FCK300-SSS	Groove mount side hung night vent keep with lip return	SSS	Each
FCK350-SSS	Groove mount side hung night vent keep no lip return	SSS	Each

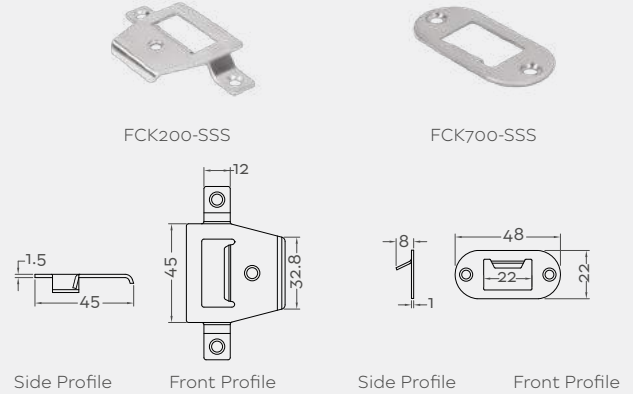


Tritus™ Flush Casement Side Hung Keep



- Side hung keeps for the Tritus™ Flush Casement Window System ear type espag bolts.
- Available in surface mount or groove in frame.
- Made from stainless steel.

PART NUMBER	PRODUCT DESCRIPTION	FINISH	UNITS
FCK200-SSS	Groove mount side hung keep, single with lip return	SSS	Each
FCK700-SSS	Surface mount side hung single keep	SSS	Each

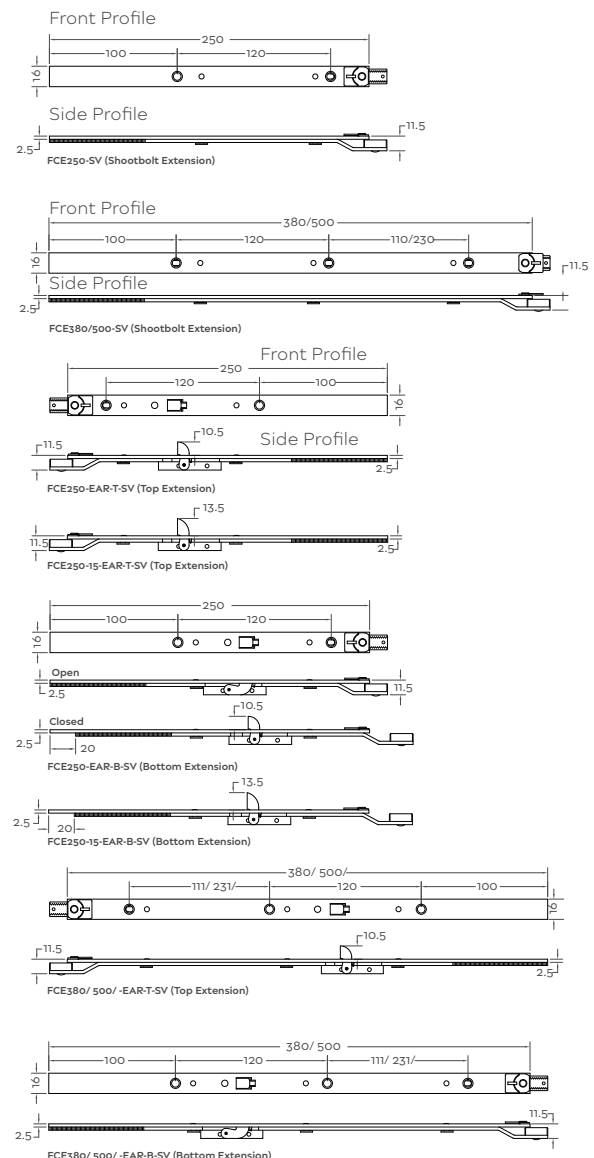


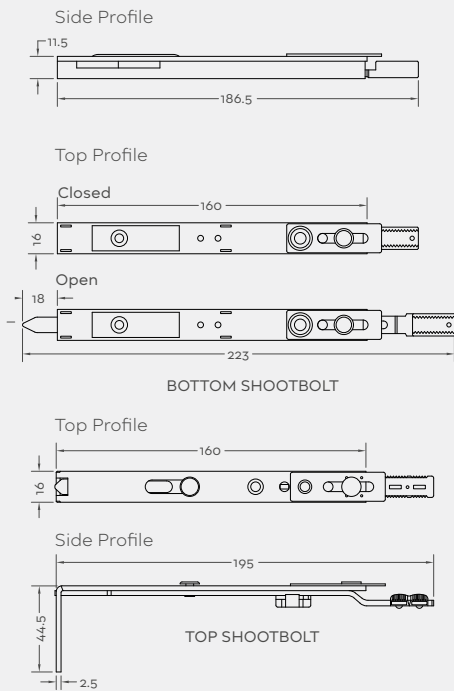
Tritus™ Flush Casement Ear Espag Extensions

- Extension pieces to be used with the Tritus Ear Espagnolette Bolts.
- Available with the option of either no locking ears, locking ears to the top extension, or locking ears to the bottom extension.
- Can be cropped to required length.



PART NUMBER	PRODUCT DESCRIPTION	FINISH	UNITS
FCE250-SV	250mm tritus extension piece	SV	Each
FCE380-SV	380mm shootbolt extension piece	SV	Each
FCE500-SV	500mm shootbolt extension piece	SV	Each
FCE250-EAR-T-SV	250mm tritus top extension (12mm ear)	SV	Each
FCE250-15-EAR-T-SV	250mm tritus top extension (15mm ear)	SV	Each
FCE250-EAR-B-SV	250mm bottom extension (12mm ear)	SV	Each
FCE250-15-EAR-B-SV	250mm bottom extension (15mm ear)	SV	Each
FCE380-EAR-T-SV	380mm tritus top extension (12mm ear)	SV	Each
FCE380-EAR-B-SV	380mm bottom extension (12mm ear)	SV	Each
FCE500-EAR-T-SV	500mm tritus top extension (12mm ear)	SV	Each
FCE500-EAR-B-SV	500mm bottom extension (12mm ear)	SV	Each



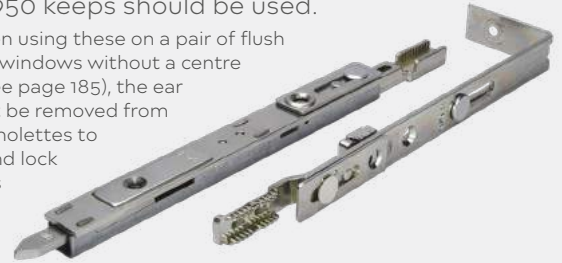


Tritus™ Flush Casement Shootbolt Extension Set

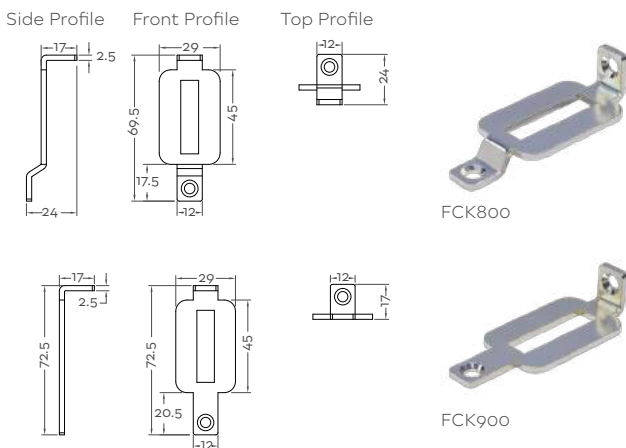


- Shootbolt extension set used to extend the Tritus FE ear-type espagnolette bolt by 160mm per shootbolt when required.
- Facilitates locking into the head and sill sections.
- To enable night vent feature to be used on a single casement, the FCK850 and FCK950 keeps should be used.

Note: When using these on a pair of flush casement windows without a centre mullion (see page 185), the ear bolts must be removed from the espagnolettes to operate and lock shootbolts into head and sill



PART NUMBER	PRODUCT DESCRIPTION	FINISH	UNITS
FC4050-SV	160mm shootbolt extension	SV	Pair

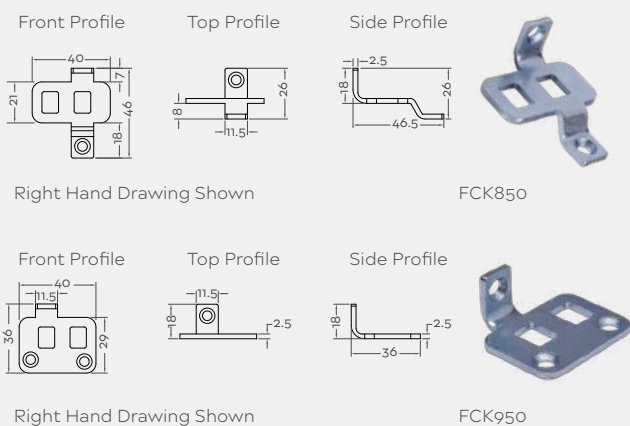


Tritus™ Flush Casement Shootbolt Keep



- Top and bottom shootbolt keeps for single side hung Tritus Flush Casement Windows.

PART NUMBER	PRODUCT DESCRIPTION	FINISH	UNITS
FCK800-SV	Top corner shootbolt keep	SV	Each
FCK900-SV	Bottom corner shootbolt keep	SV	Each



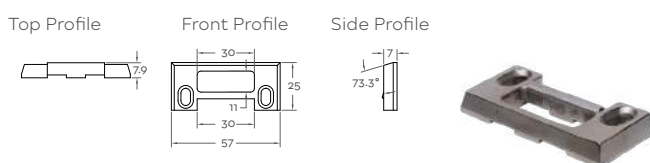
Tritus™ Flush Casement Shootbolt Night Vent Keep



- Top and bottom shootbolt keeps for single side hung Tritus Flush Casement Windows.

Note: These keeps are handed - e.g. looking from the outside, a window hung on the right side will need a left hand keep.

PART NUMBER	PRODUCT DESCRIPTION	FINISH	UNITS
FCK850-LH-SSS	Top corner night vent shootbolt keep	SSS	Each
FCK850-RH-SSS	Top corner night vent shootbolt keep	SSS	Each
FCK950-LH-SSS	Bottom corner night vent shootbolt keep	SSS	Each
FCK950-RH-SSS	Bottom corner night vent shootbolt keep	SSS	Each



Tritus™ Flush Casement Top Hung Ear Keep

- Stainless steel keep for Tritus™ Top Hung Flush Casement windows using ear type espag bolts.
- Also a shootbolt keep on a Tritus™ pair of sashes.

PART NUMBER	PRODUCT DESCRIPTION	FINISH	UNITS
FCK605-SSS	Tritus flush top hung shootbolt bottom keep	SSS	Each

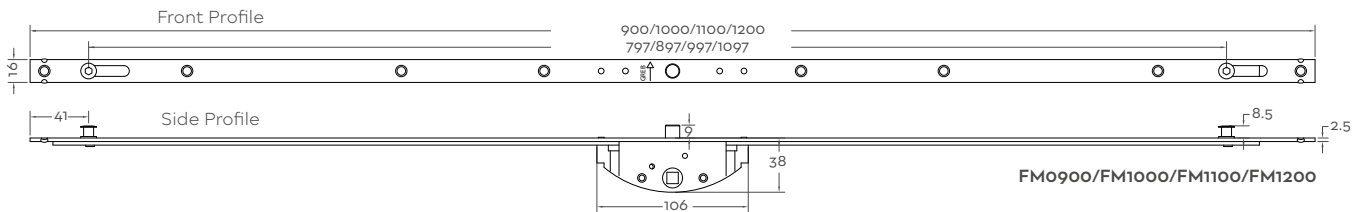
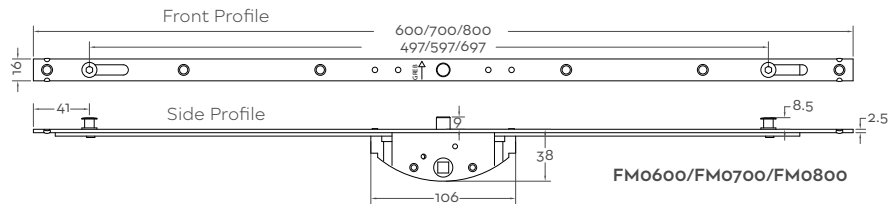
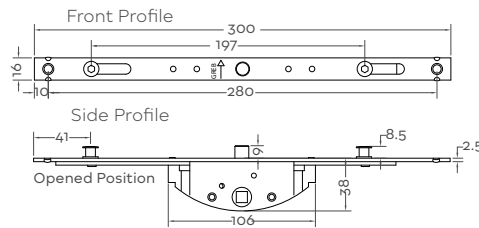
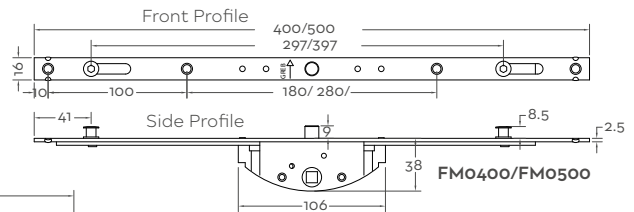
Visit www.coastal-group.com for CAD drawings

Tritus™ Flush Casement Mushroom Type Espag Bolts

- Mushroom type window espagnolette bolt for Top Hung Tritus Flush Casement Window System.
- Quick to install within the Tritus groove in the sash.
- Non-croppable 16mm faceplate, with the lock case central to the length of the faceplate.
- All sizes have a 28mm backset and 2 x 8.5mm mushroom cams.
- Supplied with a 7-8mm spindle increaser to suit most espag handles.



PART NUMBER	PRODUCT DESCRIPTION	FINISH	UNITS
FM0300-KIT-SV	300mm Top Hung (Mushroom)	SV	Each
FM0400-KIT-SV	400mm Top Hung (Mushroom)	SV	Each
FM0500-KIT-SV	500mm Top Hung (Mushroom)	SV	Each
FM0600-KIT-SV	600mm Top Hung (Mushroom)	SV	Each
FM0700-KIT-SV	700mm Top Hung (Mushroom)	SV	Each
FM0800-KIT-SV	800mm Top Hung (Mushroom)	SV	Each
FM0900-KIT-SV	900mm Top Hung (Mushroom)	SV	Each
FM1000-KIT-SV	1000mm Top Hung (Mushroom)	SV	Each
FM1100-KIT-SV	1100mm Top Hung (Mushroom)	SV	Each
FM1200-KIT-SV	1200mm Top Hung (Mushroom)	SV	Each

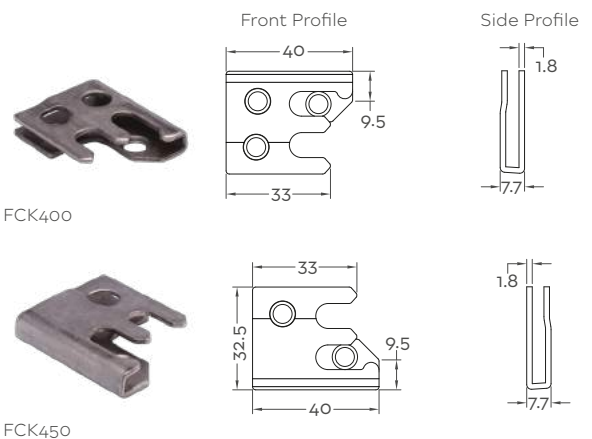


Tritus™ Flush Casement Top Hung Mushroom Keep

- Keeps for the Tritus™ Flush Casement Window System mushroom type espag bolts.
- Night vent feature.

Note: keeps are handed - if fitting a right hand espag handle then you will need a right hand keep.

PART NUMBER	PRODUCT DESCRIPTION	FINISH	UNITS
FCK400-SV	Night vent - right hand keep	SV	Each
FCK450-SV	Night vent - left hand keep	SV	Each

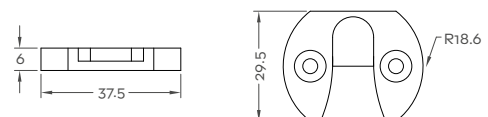


Tritus™ Flush Lead-In Sill Guide

- Lead-in sill guide for use with mushroom-type espagnolette bolt on top hung Tritus Flush Casement Windows.



PART NUMBER	PRODUCT DESCRIPTION	FINISH	UNITS
FCK500-SV	Guide for top hung sash espag	SV	Each



PART NUMBER	PRODUCT DESCRIPTION	FINISH	UNITS
FH70-LH-SSS	70mm Tritus Flush Lift Off Butt Hinge	SSS	Each
FH70-RH-SSS		SSS	Each
FH70-LH-PSS		PSS	Each
FH70-RH-PSS		PSS	Each
FH70-LH-PSB		PSB	Each
FH70-RH-PSB		PSB	Each
FH70-LH-PPB		PPB	Each
FH70-RH-PPB		PPB	Each
FH70-LH-PBK		PBK	Each
FH70-RH-PBK		PBK	Each
FH70-LH-SV		SV	Each
FH70-RH-SV		SV	Each
FH80-LH-SSS	90mm Tritus Flush Lift Off Butt Hinge	SSS	Each
FH80-RH-SSS		SSS	Each
FH80-LH-WH		WH	Each
FH80-RH-WH		WH	Each
FH80-LH-SV		SV	Each
FH80-RH-SV		SV	Each

Chart to help you select no. of hinges required based on sash height & width.

The numbers in brackets are the number of hinges required per sash when using triple glazing.

Hinge Quantity Chart				
HEIGHT (mm)	WIDTH (mm)			
	< 500	501-600	601-700	701-800
1401 - 1500		3(3)	3(3)	3(4)
1301 - 1400	2(3)	3(3)	3(3)	3(4)
1201 - 1300	2(3)	3(3)	3(3)	3(4)
1101 - 1200	2(3)	3(3)	3(3)	3(4)
1001 - 1100	2(3)	3(3)	3(3)	3(3)
901 - 1000	2(2)	2(2)	2(2)	3(3)
801 - 900	2(2)	2(2)	2(2)	3(3)
701 - 800	2(2)	2(2)	2(2)	3(3)
601 - 700	2(2)	2(2)	2(2)	
501 - 600	2(2)	2(2)	2(2)	
< 500	2(2)			

Tritus™ Flush Lift-Off Butt Hinge

- High quality lift-off butt hinge with pressed flanges to fit into the Tritus grooves for extremely quick installation.
- Lift-off feature means the sashes can be sent to site after frame installation, and can be easily lifted off for repainting.
- Hinges meet the requirements of BS DS EN 1935: 2002 Grade 9: 25,000 cycles / FH70 - 60kg / FH80 - 120kg
- PBK black finish has been successfully salt spray tested to 1000 hours: ASTM B117:2019
- FH70 successfully used in Part Q Test.
- Made from 316 Marine Grade Stainless Steel except FH70-SV & FH80 in all finishes.

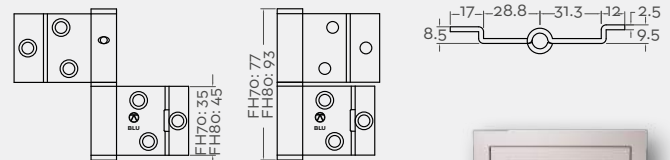
Note these hinges are handed looking from the outside of the building.



Front (Hinge Open)

Front (Hinge Closed)

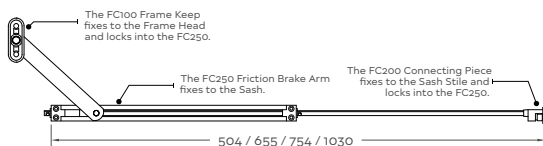
Top (Hinge Open)



Left Hand Hinge shown (These hinges are handed from the outside. Bottom part of hinge with pin fits into 12mm groove in frame, with pin uppermost, the other half of hinge fits into 17mm groove in sash with hole facing downwards.)



PART NUMBER	PRODUCT DESCRIPTION	FINISH	UNITS
FCBA-KIT-0480	Kit for sash width 330 - 480mm	SV	Each
FCBA-KIT-0691	Kit for sash width 481 - 691mm	SV	Each
FCBA-KIT-0900	Kit for sash width 692 - 900mm	SV	Each
FCBA-KIT-1100	Kit for sash width 901 - 1100mm	SV	Each



Sash Rebate Height	Espag Length	Part No.
472 - 572mm	440mm	FE0440-KIT-SV
572 - 672mm	520mm	FE0520-KIT-SV
632 - 732mm	600 / 720mm	FE0600 / FE0720-KIT-SV
732 - 832mm	820mm	FE0820-KIT-SV
832 - 932mm	920mm	FE0920-KIT-SV
932 - 1032mm	1020mm	FE1020-KIT-SV
1032 - 1132mm	1120mm	FE1120-KIT-SV
1132 - 1232mm	1220mm	FE1220-KIT-SV
1232 - 1332mm	1320mm	FE1320-KIT-SV
1332 - 1432mm	1420mm	FE1420-KIT-SV

Chart defines what 'FE' espag bolts are needed for use along with relevant friction brake arm kit.

Tritus™ Flush Friction Brake Arm

- An optional function from IPA for The Tritus Flush Casement Window System, fitting into the standard Tritus frame and sash grooves.
- Enables the window to be opened and held securely in any one position via the espag handle.
- Use with Tritus side hung single windows hung on Tritus lift-off butt hinges, using 'FE' espag bolt.
- Removes the need for a casement stay.
- Note: cannot be used in conjunction with top and bottom shootbolts.



Tritus™ Flush Side Swing 90° Friction Hinge

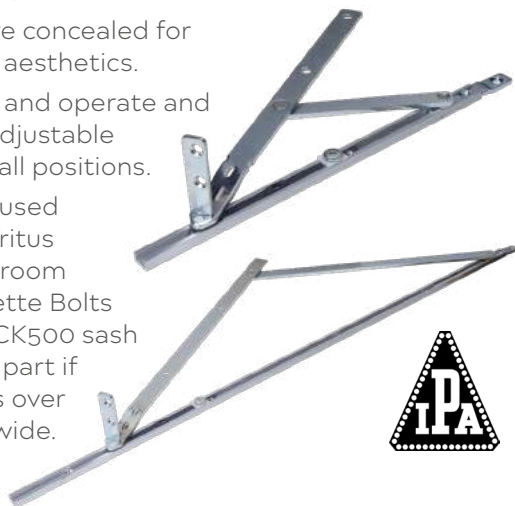
- Side hung friction hinges from IPA for Tritus side swing 90 degrees flush casement window
- Swings window out to 90 degrees on the horizontal plane.
- Fits into the Tritus groove system for fast production.
- Fittings are concealed for enhanced aesthetics.
- Easy to fit and operate and features adjustable friction in all positions.



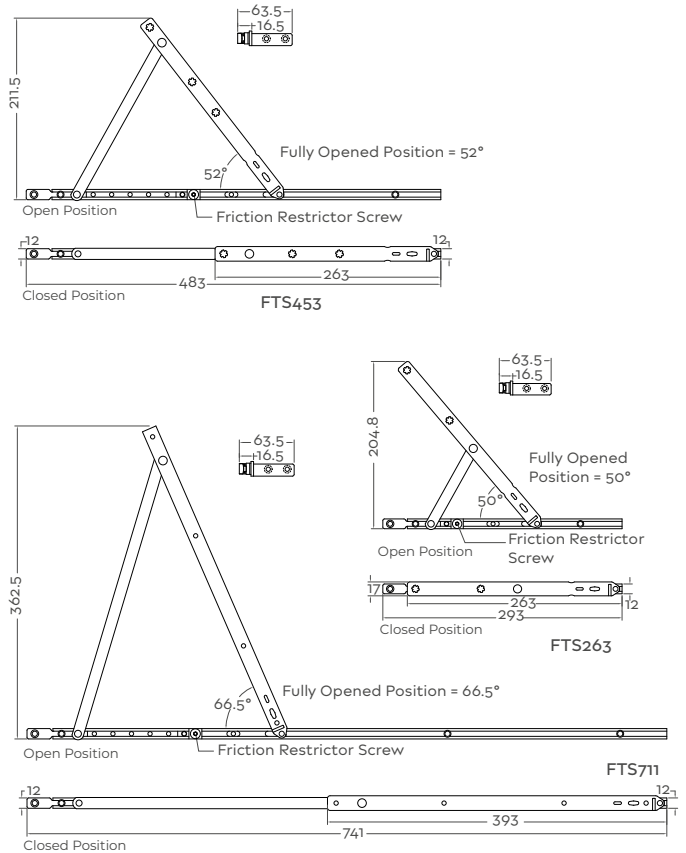
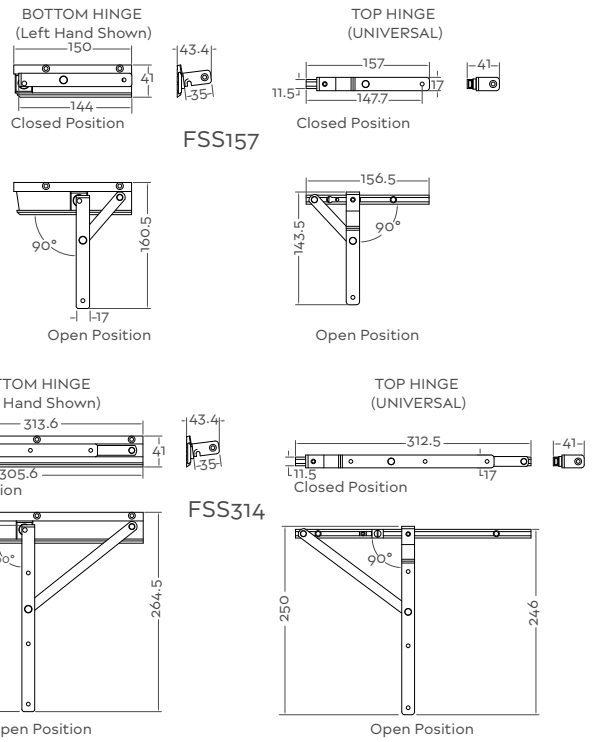
PART NUMBER	PRODUCT DESCRIPTION	FINISH	UNITS
FSS157-LH-SV	Tritus 157mm side hung 90 degree, 20kg,	SV	Pair
FSS157-RH-SV	Min sash width 150mm, Max sash width 320mm	SV	Pair
FSS314-LH-SV	Tritus 314mm side hung 90 degree, 40kg,	SV	Pair
FSS314-RH-SV	Min sash width 320mm Max sash width 820mm	SV	Pair

Tritus™ Flush Top Hung Restricted Friction Hinge

- Top hung friction hinges from IPA for Tritus canopy stay flush casement windows.
- As the sash opens out it slides down also providing ventilation at the top of the window.
- Fits into the Tritus groove system for fast production.
- Fittings are concealed for enhanced aesthetics.
- Easy to fit and operate and features adjustable friction in all positions.
- Generally used with the Tritus 'FM' Mushroom Espagnolette Bolts and the FCK500 sash lead-in sill part if the sash is over 1000mm wide.

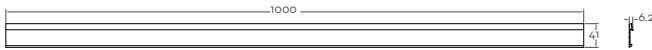


PART NUMBER	PRODUCT DESCRIPTION	FINISH	UNITS
FTS263-SV	Tritus 263mm top hung friction hinge, 40kg - Max sash height 844mm	SV	Pair
FTS453-SV	Tritus 453mm top hung friction hinge, 50kg - Max sash height 1344mm	SV	Pair
FTS711-SV	Tritus 711mm top hung friction hinge, 70kg - Max sash height 1544mm	SV	Pair



Visit www.coastal-group.com for CAD drawings and fitting guide.

PART NUMBER	PRODUCT DESCRIPTION	FINISH	UNITS
FCR1000	1000mm fill-in rail	SV	Each

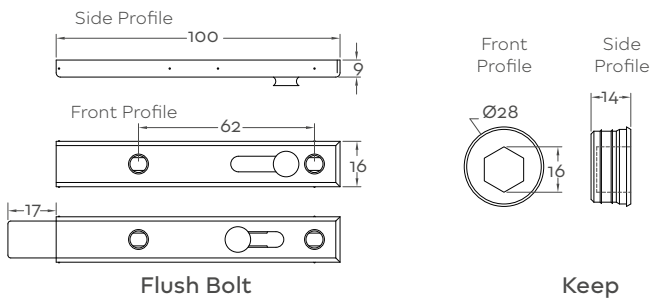


Tritus™ Flush Friction Hinge Fill In Rail

- Fill-in rail from IPA suitable for use with the Tritus Flush Casement Window System
- Fills the gap between the side hung friction hinge plate and jamb.
- Supplied in 1000mm lengths which can be cut to size required.



PART NUMBER(R)	PRODUCT DESCRIPTION	FINISH	UNITS
FC6070-SV	17mm Sash slide bolt	SV	Each

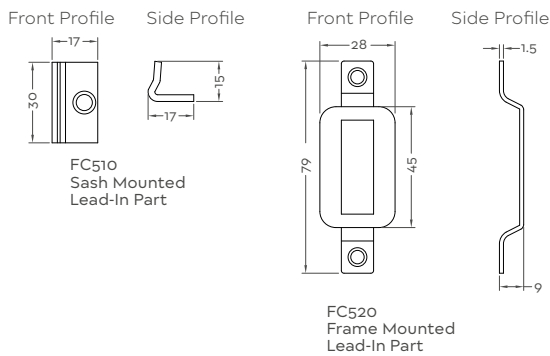


Tritus™ Flush Sash Slide Bolt

- Slide bolt for use on top and bottom Tritus of slave sash to lock it into position on a pair of sashes where a handle isn't required on the slave sash
- Supplied with hexagonal keep.



PART NUMBER	PRODUCT DESCRIPTION	FINISH	UNITS
FC500-KIT-SV	Sash & Frame lead-in kit	SV	Each



Tritus™ Flush Sash Lead-In

- The sash and frame lead-in kit pulls the sash against the frame on the Tritus Flush Casement Window System.
- Maintains a good weatherseal compression and stops the sash bowing on the hinge side.
- Required if the sash is over 1000mm high.
- Successfully used on our Part Q Test.



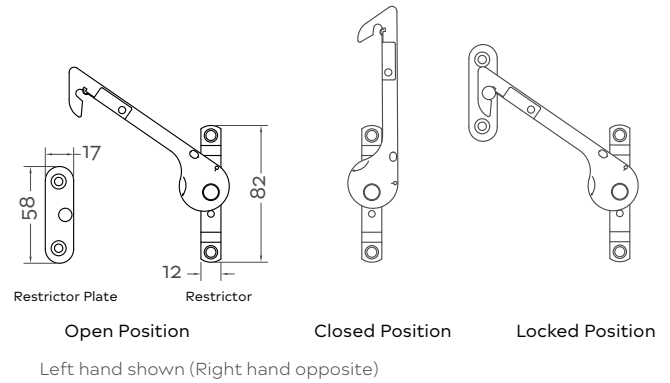
Visit www.coastal-group.com for CAD drawings

Tritus™ Flush Top & Side Hung Safety Restrictor

- Child safety restrictor for Tritus Top or Side Hung Flush Casement Windows.
- For Top Hung Casements - as viewed from the outside, a left hand restrictor would be fitted on the left hand window jamb, right hand would be the opposite.
- For Side Hung Casements - as viewed from the outside, a left hand restrictor would be fitted on the top of the left hung window head, right hand would be the opposite.



PART NUMBER	PRODUCT DESCRIPTION	FINISH	UNITS
FTR36-LH-SV	Top & side hung safety restrictor	SV	Each
FTR36-RH-SV		SV	Each

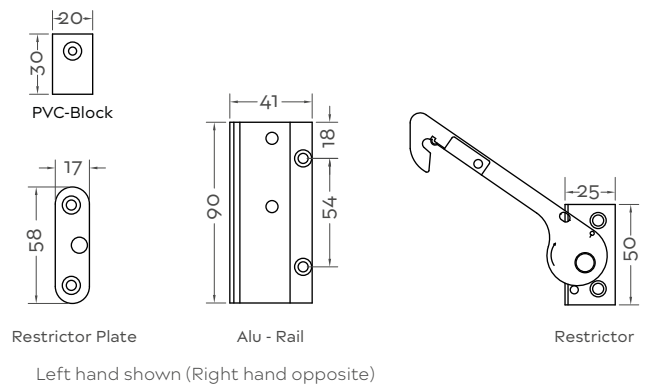


Tritus™ Flush Side Hung Arm & Plate Restrictor

- Child safety arm and plate restrictor for Tritus Side Hung Flush Casement Windows.
- For use with the FH70, FH80 and FSS314 hinges.
- As viewed from the outside, a left hand restrictor would be fitted on the sill of a left hand side hung window, right hand would be the opposite.



PART NUMBER	PRODUCT DESCRIPTION	FINISH	UNITS
TF-FSR-LH-SV	Side hung arm and plate restrictor	SV	Each
TF-FSR-RH-SV		SV	Each

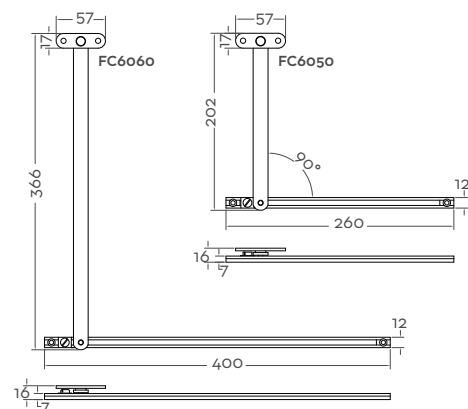


Tritus™ Flush Side Hung Friction Restrictor

- Provides adjustable friction.
- Stops window at the fully opened 90 degree position.
- Concealed fitting.
- Installed into the top rail and head of a side hung flush casement window for use on butt hinge system.



PART NUMBER	PRODUCT DESCRIPTION	FINISH	UNITS
FC6050-SV	260mm Friction restrictor	SV	Each
FC6060-SV	400mm Friction restrictor	SV	Each

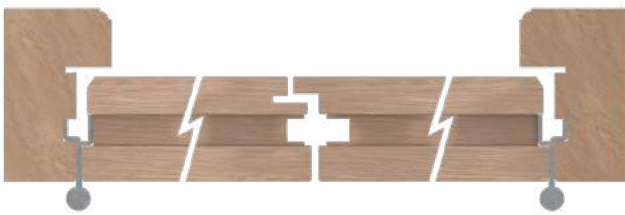


Visit www.coastal-group.com for CAD drawings and fitting guide.



Tritus™ Rebated Pair of Sashes Information

When producing a pair of sashes, opposing FE Ear Type Espagnolette Bolts are required with the locking ears removed. The FC4050-SV shootbolt extension sets should be fitted to the espag bolts to enable locking into the head and sill only using the FCK300 or FCK350 keep in the head and FCK600 keep in the sill (shown on the image). This allows both windows to be operated by a handle and removes the need for a finger bolt in the slave sash.



The chart below should be used when fitting the FC4050 shootbolt extension set to 'FE' ear type espag bolts.

Sash Height	Espag Bolt Required
660 - 760mm	FE0440-KIT-SV
740 - 840mm	FE0520-KIT-SV
820 - 920mm	FE0600 or FE0720-KIT-SV
920 - 1020mm	FE0820-KIT-SV
1020 - 1120mm	FE0920-KIT-SV
1120 - 1220mm	FE1020-KIT-SV
1220 - 1320mm	FE1120-KIT-SV
1320 - 1420mm	FE1220-KIT-SV
1420 - 1520mm	FE1320-KIT-SV
1520 - 1620mm	FE1420-KIT-SV



Tritus™ Flush Casement - Pair of sashes lock detail (TOP)



Tritus™ Flush Casement - Pair of sashes lock detail (BOTTOM)

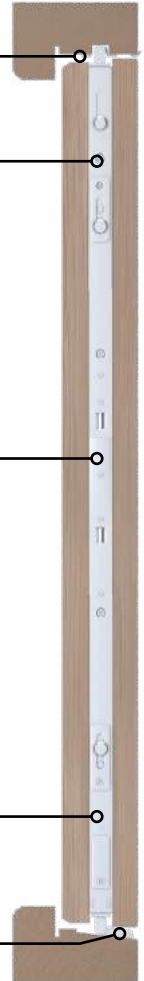
Top shootbolt keep - FCK300 or FCK350

Tritus™ Flush Casement Shootbolt Extension (top) - FC4050

Tritus™ Flush Casement Ear Type (Central) Espag Bolts (locking ears removed)

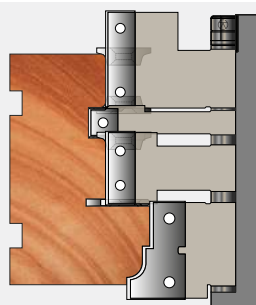
Tritus™ Flush Casement Shootbolt Extension (bottom) - FC4050

Bottom shootbolt keep - FCK600



Tritus Tooling Solution

Speed up your Tritus window manufacturing process with our tooling solution see page 273.



EBM Shootbolt Window System MACO Tricoat-Evo MKV Croppable



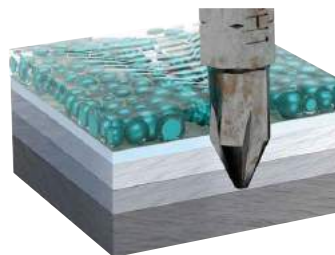
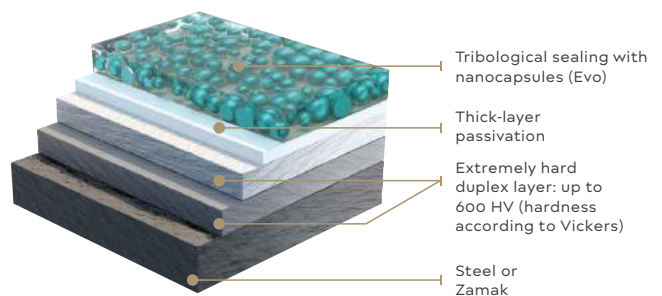
- MACO Tricoat-Evo surface protection for maximum corrosion resistance.
- Suitable for use on single or double casement windows.
- Can be cropped to provide for multiple window styles and to meet disability (DDA) standards.
- Slimline, smaller lockcase minimises machining time and maximises sash strength.
- ± 1mm adjustable mushroom cam via T15 torx key.
- Lockcase centralisation pins speed up fitting of handle.
- Tested to exceed PAS24 requirements.
- One backset size for all profile handle positions.
- Designed for smooth handle operation.
- Easy to adjust shootbolt throw.
- Easy fast fit with all screws on one face.

The Benefits of MACO Tricoat-Evo Hardware:

- Maximum corrosion resistance - 2,000 h according to EN 1670.
- For extreme applications, e.g. in acidic timber, coastal or industrial urban centres.
- Self-healing & self-lubricating - thanks to substances contained in nanocapsules.
- Extraordinarily abrasion-resistant - long service life.
- Even more resistant to mechanical stress
- Very smooth operation - low layer thickness prevents clamping.
- Modern look - high quality stainless steel design.
- 15 Years as standard, or 10 years when fitted in Accoya or timbers with a low PH level (such as Oak, WR Cedar and Teak)



Multi-Layered Self-Healing Rust Resistance:



The Evo-Effect
If the surface is damaged, for example during hardware fitting by a cordless drill ...



... the substances contained in the nanocapsules repair the resulting scratches and restore corrosion protection.

EBM Shootbolt Window System Single & Double Casement Configuration

Single/Master Sash Basic Components



EBMB
Centre Lock Box with Cams



EBSK
Espag Bolt Keep



EBMM
Shootbolt with Cam



EBMK20 EBMK10
Shootbolt Keep

Slave Sash Basic Components



EBSB
Slave Centre Lock Box



EBMS
Slave Shootbolt



EBMK20
Shootbolt Keep

Optional Component



EBM300
Shootbolt Extension
(for taller windows)

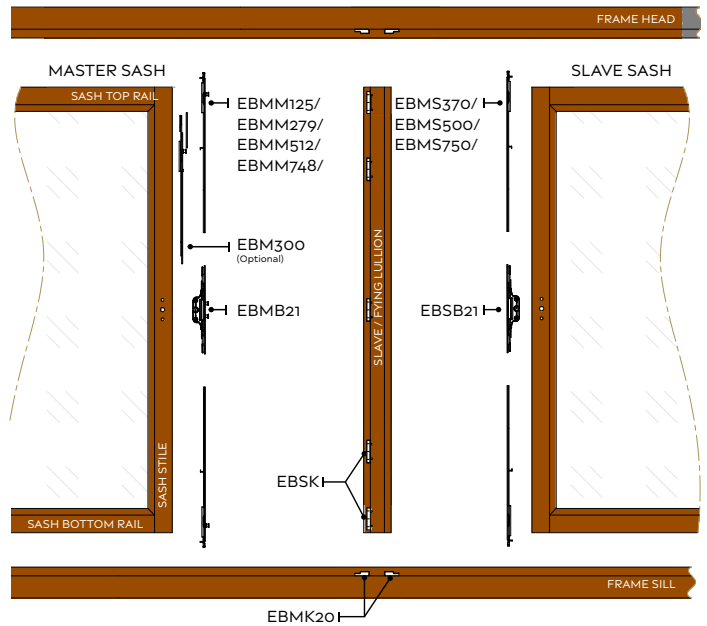


Diagram shown in Double Casement Configuration with Flying Mullion

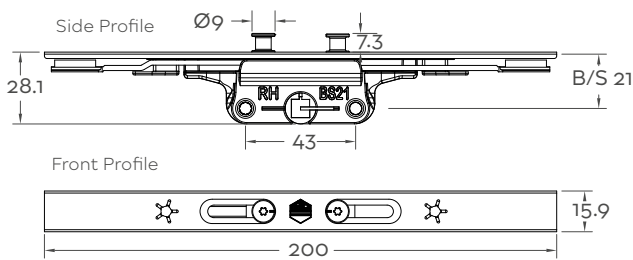
The tables below give you an overview of the components for Single & Double Casement Window depending on the Sash Height.

SINGLE CASEMENT WINDOW				
Sash Height	Centre Lock Box	Shootbolt	Espag Keep	Shootbolt Keep
280-369mm	EBMB21-TE	EBMM125-TE	EBSK-TE	EBMK10-TE
370-707mm	EBMB21-TE	EBMM279-TE	EBSK-TE	EBMK10-TE
708-1179mm	EBMB21-TE	EBMM512-TE	EBSK-TE	EBMK10-TE
1180-1652mm	EBMB21-TE	EBMM748-TE	EBSK-TE	EBMK10-TE

DOUBLE CASEMENT WINDOW with SLAVE/FLYING MULLION						
Sash Height	MASTER			SLAVE		Master/Slave Shootbolt Keeps
	Centre Lock Box	Shootbolt	Espag Keep	Centre Lock Box	Shootbolt	
370-707mm	EBMB21-TE	EBMM279-TE	EBSK-TE	EBSB21-TE	EBMS370-TE	EBMK20-TE
708-1179mm	EBMB21-TE	EBMM512-TE	EBSK-TE	EBSB21-TE	EBMS500-TE	EBMK20-TE
1180-1652mm	EBMB21-TE	EBMM748-TE	EBSK-TE	EBSB21-TE	EBMS750-TE	EBMK20-TE

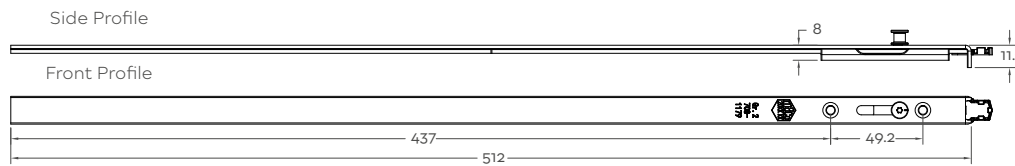
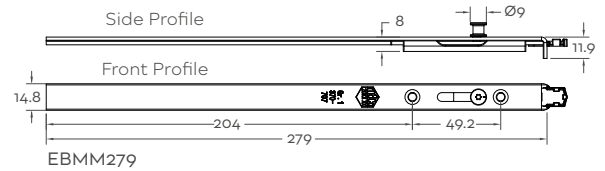
EBM MACO Tricoat-Evo MKV Centre Lock Box & Cover Plate with CAMS (Master/Single Sash) - EBMB

- Small lock case prep size helps maximise the strength of the profile.
- For use on both Master/Single Sash configurations.
- 2 x 7.7mm Adjustable mushroom cams.
- 21mm backset.

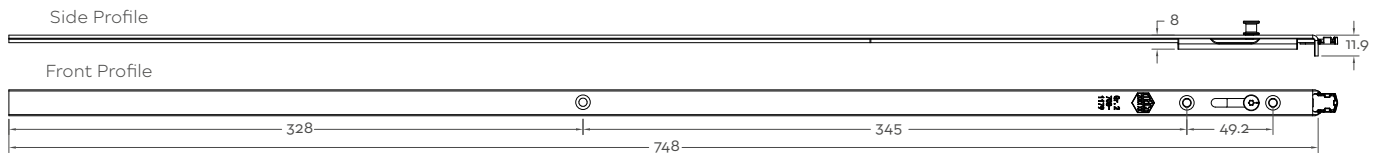


EBM MACO Tricoat-Evo MKV Master Shoot Bolts (Master/Single Sash) - EBMM

- Can be cropped.
- Fitted to top and bottom of sash to shoot into the head and sill.
- 7.7mm Mushroom cams combine with top and bottom shootbolts to provide maximum security.
- Adjustable length shootbolt throw.
- Two are required per lock.



EBMM512

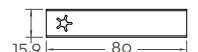
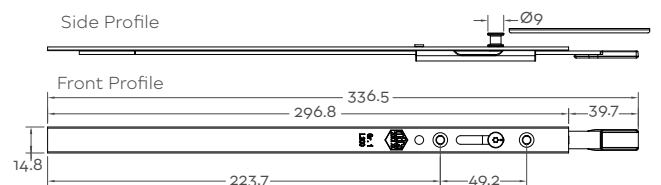


EBMM748

PART NUMBER	PRODUCT DESCRIPTION	FINISH	UNITS
EBMB21-TE	21mm B/S Centre lock box	TE	Each
EBMM125-TE	For sash heights 280-369mm	TE	Each
EBMM279-TE	For sash heights 370-707mm	TE	Each
EBMM512-TE	For sash heights 708-1179mm	TE	Each
EBMM748-TE	For sash heights 1180-1652mm	TE	Each
EBM300-TE	300mm Extension piece	TE	Each
EBSB21-TE	21mm B/S Centre lock box - no cams	TE	Each
EBMS370-TE	For sash heights 370-707mm	TE	Each
EBMS500-TE	For sash heights 708-1179mm	TE	Each
EBMS750-TE	For sash heights 1180-1652mm	TE	Each
EBSK-TE	Standard night vent keep	TE	Each
EBSK-SEC-TE	Security night vent keep	TE	Each
EBMK10-TE	Shootbolt Keep with Lug	TE	Each
EBMK20-TE	Shootbolt Keep without Lug	TE	Each

EBM MACO Tricoat-Evo MKV Extension - EBM300mm

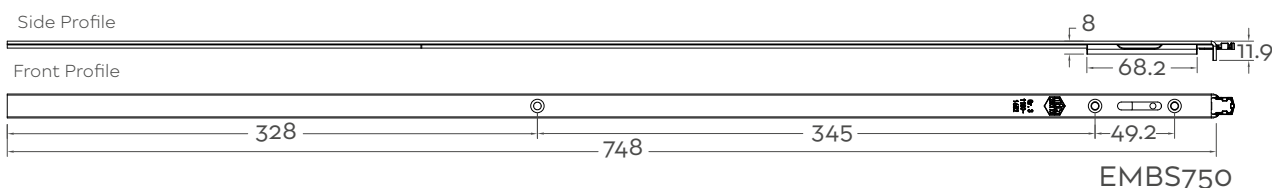
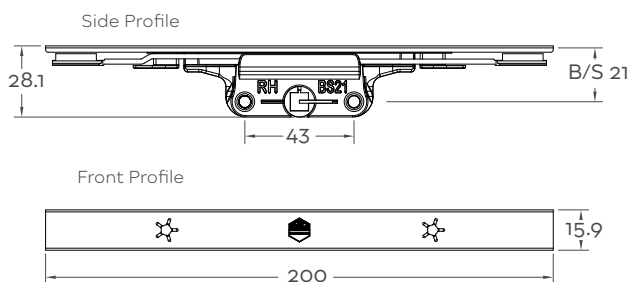
- Extension piece for the EBM Shootbolt
- Includes 1 x 7.7mm Cam.
- Fits between the Centre Lock Box and the Shootbolt.
- For use on the Master or Single Sash, if used on slave must either remove the cam or pocket out the mullion.



Visit www.coastal-group.com for CAD drawings

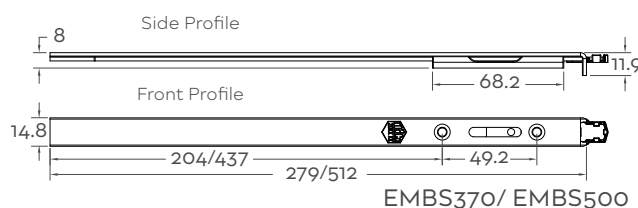
EBM MACO Tricoat-Evo MKV Centre Lock Box & Cover Plate without CAMS (Slave Sash) - EBSB

- MACO Tricoat EVO Centre Lock Box and Cover Plate for EBM Shootbolt Window System.
- Small lock case prep size helps maximise the strength of the profile.
- For use on Slave Sash.
- 21mm Backset.



EBM MACO Tricoat-Evo MKV Slave Shootbolts (Slave Sash) - EBMS

- Can be cropped.
- Fitted to top and bottom of slave sash to shoot into the head and sill.
- These do not have mushroom cams enabling the Slave/Flying mullion to be fitted to the sash.
- Adjustable length shootbolt throw.
- Two required per slave lock (used on pairs of windows).



EBM Shootbolt Keeps - EBMK

- Used on the head and sill of the EBM Shootbolt Window System.
- EBMK10 keeps come with lugs which interlock with EBSK keeps and are for use on single sash configurations only.
- EBMK20 keeps come without lugs and are for use on double sash configurations (pairs of windows).

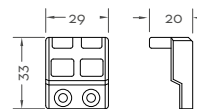


EBMK10-TE

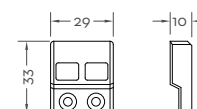


EBMK20-TE

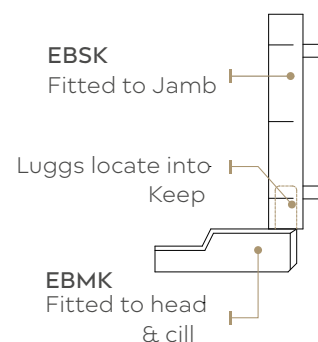
Front Profile Side Profile



EBMK10
Used on single sash and connects to EBSK Keep as shown.



EBMK20
Used on double sash configurations.



EBM Night Vent Keep Options

- Installed on the frame if used on a single sash, or on the slave/flying mullion if used on a double sash
- Bevelled packer (EBSK-P9-GR) available.
- For more information see page 199.



EBSK-SEC-TE



EBSK-TE



EBSK-P9-GR

Night Vent Keeps

EBM Range features MACO Tricoat-Evo premium surface protection making it the perfect choice for Accoya Timber



Small shootbolt ideal for use on a pair of windows with a flying mullion.

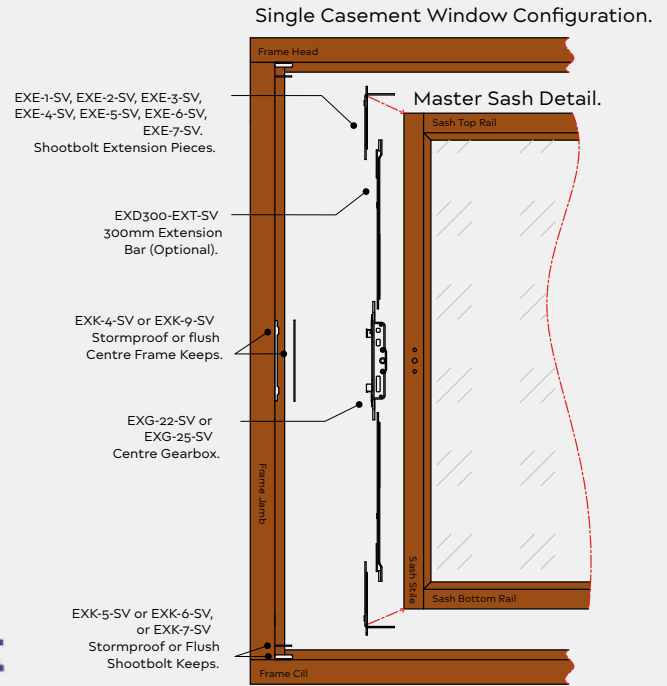


For use with EBMK20 keep

For more details - see page 132

Excalibur Shootbolt Window System

- The Excalibur shootbolt window system is a very effective way of securing timber flush casement or stormproof windows.
- Secured by Design, BS7950 and BBA Approved.
- Bi-directional central locking claws.
- For additional security it throws shootbolts into the head and sills.
- Simple but effective to install.
- Night vent keeps.
- Fits all euro groove systems.
- Suitable for single or pairs of side hung stormproof or flush casement windows.



SINGLE CASEMENT COMPONENTS



Stormproof Espag Bolt Keeps



DOUBLE CASEMENT CONFIGURATION

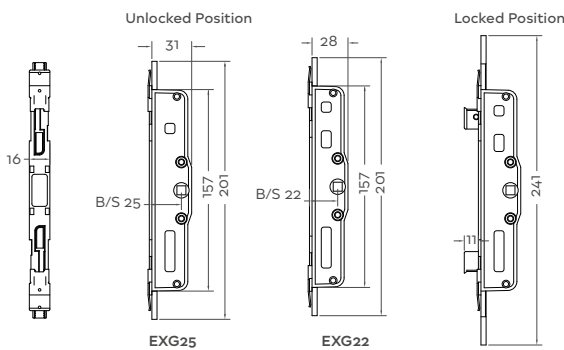
For **Double Casement** configuration with a fixed **mullion**, handles are used on both sashes and keeps are secured into the fixed mullion.

If used on **Double Casement** configuration with **flying/slave mullion**, keeps would be located into the slave/flying mullion, the sash needs to be secured into the closed position by the use of euro groove flick bolts or flush bolts within the sash stile. The master sash locks into the slave sash, no handle would be required in the slave sash.

PART NUMBER	PRODUCT DESCRIPTION	FINISH	UNITS
EXG-22-SV	Excalibur gearbox 22mm backset	SV	Each
EXG-25-SV	Excalibur gearbox 25mm backset	SV	Each
EXE-1-SV	Rebate length: 310-440mm	SV	Each
EXE-2-SV	Rebate length: 364-500mm	SV	Each
EXE-3-SV	Rebate length: 430-692mm	SV	Each
EXE-4-SV	Rebate length: 492-692mm	SV	Each
EXE-5-SV	Rebate length: 690-950mm	SV	Each
EXE-6-SV	Rebate length: 946-1210mm	SV	Each
EXE-7-SV	Rebate length: 1210-1470mm	SV	Each
EXK-9-SV	Centre Keep	SV	Each
EXK-7-SV	Shootbolt Keep	SV	Each
EXD300-EXT-SV	300mm Extension bar	SV	Each
EXK-4-SV	Stormproof centre keep	SV	Each
EXK-5-SV	Left hand stormproof shootbolt keep	SV	Each
EXK-6-SV	Right hand stormproof shootbolt keep	SV	Each
FX-KCKP-BK	Centre keep packer	BK	Each
FX-KSKP-BK	Shootbolt keep packers - 1x LH & 1x RH	BK	Pair

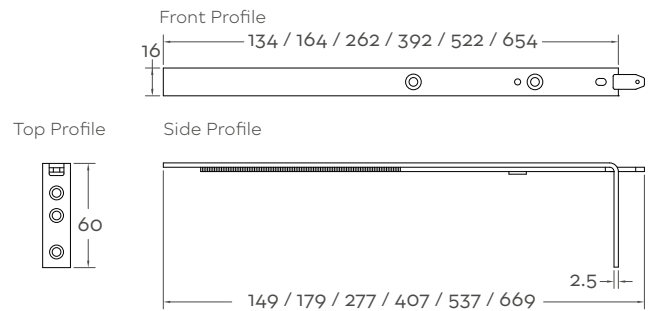
Excalibur Centre Gearbox - EXG

- Robust central gearbox for Excalibur Shootbolt Window System.
- Bi-directional high security dual-claws lock securely into substantial centre keep.
- Activates two shootbolts into head and sill of window to effectively secure the window.
- BS 7950, Secured by Design and BBA Approved.
- Suitable for single or pairs of side hung stormproof or flush casement windows.



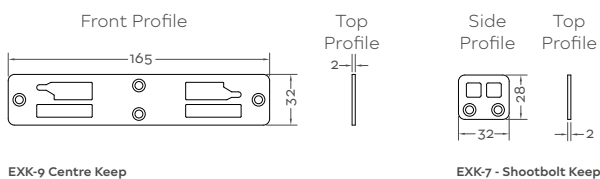
Excalibur Shootbolt Extension Piece - EXE

- Excalibur shootbolt croppable extension pieces for use with the Excalibur central gearbox.
- Two shootbolts lock into head and sill to effectively secure the window.
- Two extension pieces are required per opening sash (one for the top and one for the bottom).



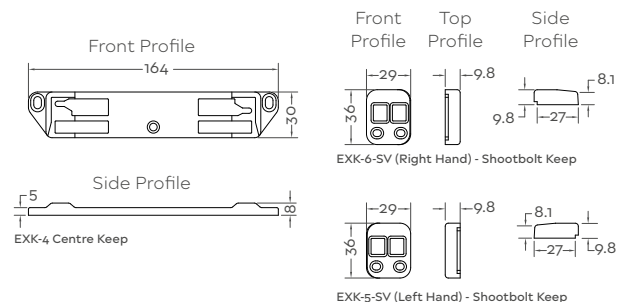
Excalibur Espagnolette Bolt Keeps - EXK

- Keeps for Flush Casement Windows using the Excalibur Shootbolt Window System.
- One centre keep and two shootbolt keeps required per opening sash.



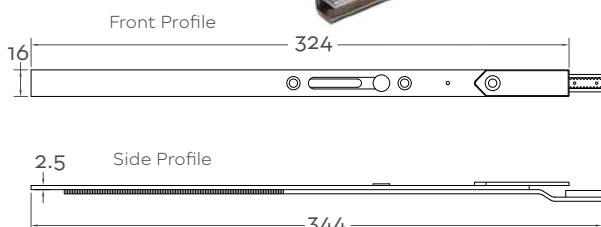
Excalibur Stormproof Espagnolette Bolt Keeps - EXK

- Keeps for Stormproof Windows using the Excalibur Shootbolt Window System.
- One centre keep, one left hand and one right hand shootbolt keeps are required per opening sash.



Excalibur Extension Bar - EXD300mm

- 300mm extension bar for the Excalibur Shootbolt Window System.



Kenrick Keep Packers

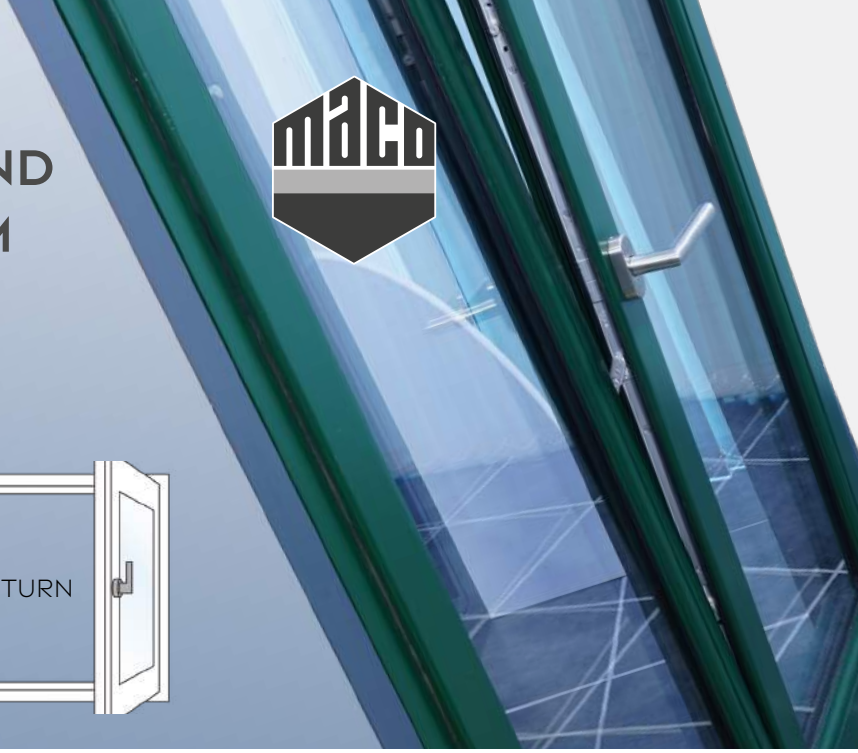
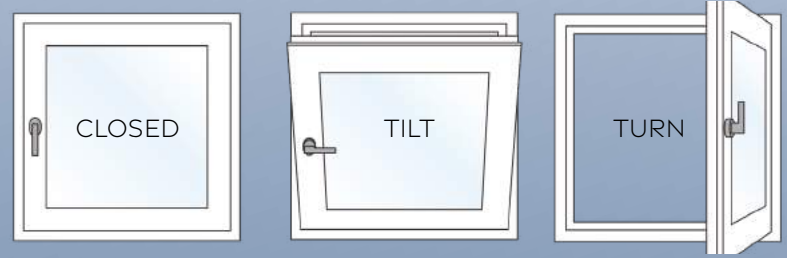
- 7 degree packers for Excalibur stormproof centre and shootbolt keeps.



MACO TRICOAT-EVO TILT & TURN WINDOW AND JULIET BALCONY SYSTEM



Hardware supplied with unique MACO Tricoat-Evo 4 layer self-healing rust resistance finish coating.



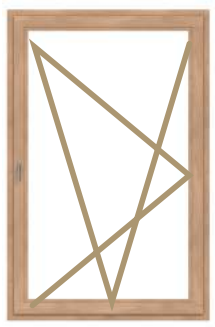
Specifications:

TILT & TURN - SINGLE SASH

Min rebate size: 370mm W x 470mm H
Max rebate size: 1400mm W x 2250mm H

Max weight: 150kg

NOTE: Tilt only function can be achieved if required by using a TT-MMP77-TR Tilt Only Block



TILT & TURN - DOUBLE SASH

Min rebate size, Master: 490mm W x 431mm H
Min rebate size, Slave: 490mm W x 431mm H
Max rebate size, Master: 1400mm W x 2450mm H
Max rebate size, Slave: 1400mm W x 2450mm H

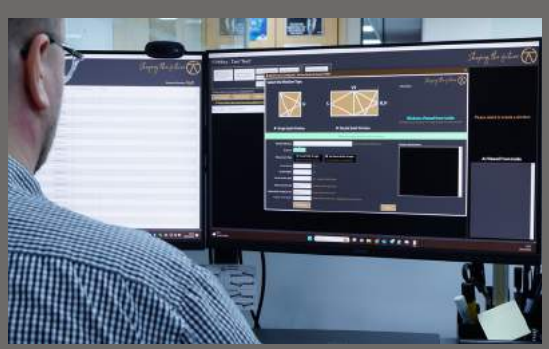
Max weight per sash: 150kg

NOTE: Tilt and Turn on Master Sash only Turn on Slave only



FULL SUPPORT PACKAGE PROVIDED:

Includes detailed drawings and technical support plus in-house quoting configuration software for fast turnaround of quotes and easy ordering.



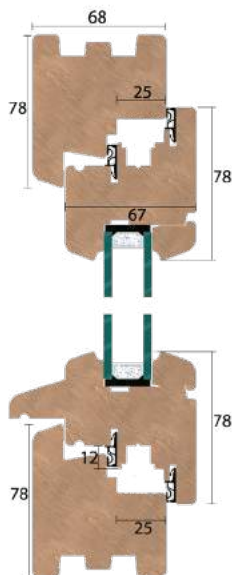
- **Very versatile** system allowing for single & double opener configurations
- **Enhanced aesthetics** - slim meeting stiles, maximum glass and no need for a central mullion
- **Double memory gasket** to ensure consistent compression around the frame and provide better weather protection and acoustic values
- **Simplified sections** - one sash profile and one frame profile, with only a slight modification for double sashes making it quicker to set up and machine



- **Easy to install**, adjust and square onsite
- **Increased security** - additional locking points and no handles on the outside - ideal for Juliet balconies
- **150kg max sash weight** hinges as standard enabling up to door sizes for Tilt & Turn systems - e.g. sash size of 1400mm W x 2400mm H



Tilt and Turn Section for Single and Double Sash



Tilt & Turn side view section



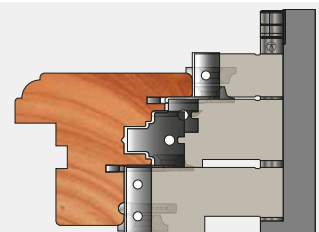
Single Sash Tilt & Turn Top view section



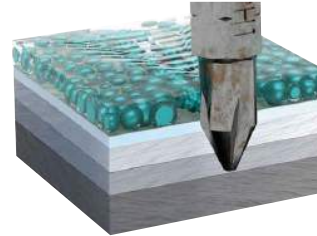
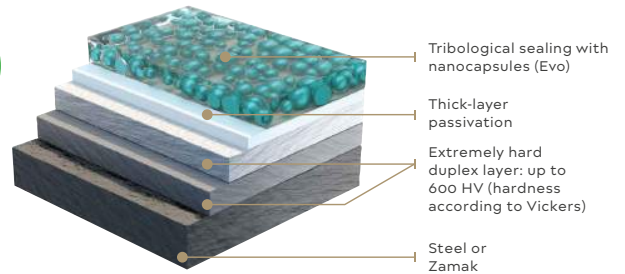
Double Sash Tilt & Turn Top view section

Tooling Solution

Tilt & Turn tooling available to purchase, see page 276.



Tilt & Turn hardware supplied with unique MACO Tricoat-Evo 4 layer self-healing rust resistance finish coating:



The Evo-Effect
If the surface is damaged, for example during hardware fitting by a cordless drill ...



... the substances contained in the nanocapsules repair the resulting scratches and restore corrosion protection.

- Ideal for installations in harsh corrosive environments - e.g. acidic timbers and coastal or industrial urban centres.
- Maximum corrosion resistance - 2,000 hours according to EN 1670.
- Self-healing & self-lubricating - thanks to substances contained in nanocapsules
- Extraordinarily abrasion resistant - long service life
- Even more resistant to mechanical stress
- Very smooth operation - low layer thickness prevents clamping
- Modern look - high quality stainless steel design

Surface Warranty -

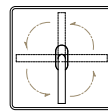
15 Years standard or 10 Years in Accoya or timbers with a low pH level (such as Oak, WR Cedar and Teak)



Recommended handle for your Tilt and Turn window or Juliet balcony system:

BLU™ Tilt & Turn Window Handle

- 4-stage click action for superior operation holding the handle in the open or closed positions.
- Mounted on an oval backplate enabling it to be fitted to slimline profiles.
- Clip-on cover conceals fixings.
- Solid 316 Marine Grade Stainless Steel lever.



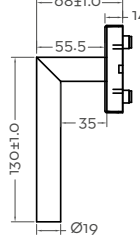
4 Stage Click Action

PART NUMBER	PRODUCT DESCRIPTION	FINISH	UNITS
TTH50-SSS	Mitred Tilt & Turn window handle	SSS	Each

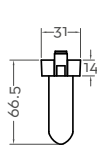
Front Profile



Side Profile



Top Profile



Other Tilt & Turn Window Handle Options
For details and finishes see pages 214 - 216.



REG020



TBH020



SST87



SST100

MACO TRICOAT-EVO TILT & TURN WINDOW AND JULIET BALCONY SYSTEM ENQUIRY FORM

No need for you to take the time to work out what components you need, just send us your completed enquiry form and we'll sort it for you.

Either complete and return the form below or scan QR code to complete the form online.



Company:		Contact Name:	
Postcode:		Telephone:	
Fax:		Email:	
Customer Project Reference Name:			

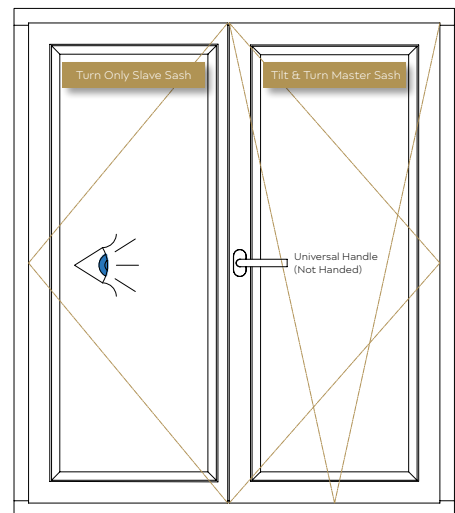
Your Window Reference Name:					
Overall Frame Width (mm):					
Overall Frame Height (mm):					
Single or Double Sash:					
Handing (viewed from inside):					
Weatherseal Colour (Black or White):					
Handles (as per selection on opposite page):					
Handle Finish (as per selection on opposite page):					

Need help to work out the handing on your Tilt & Turn Window Sash?

We always view our tilt & turn windows from the 'Inside' of the property, this is due to how this particular type of hardware is supplied.

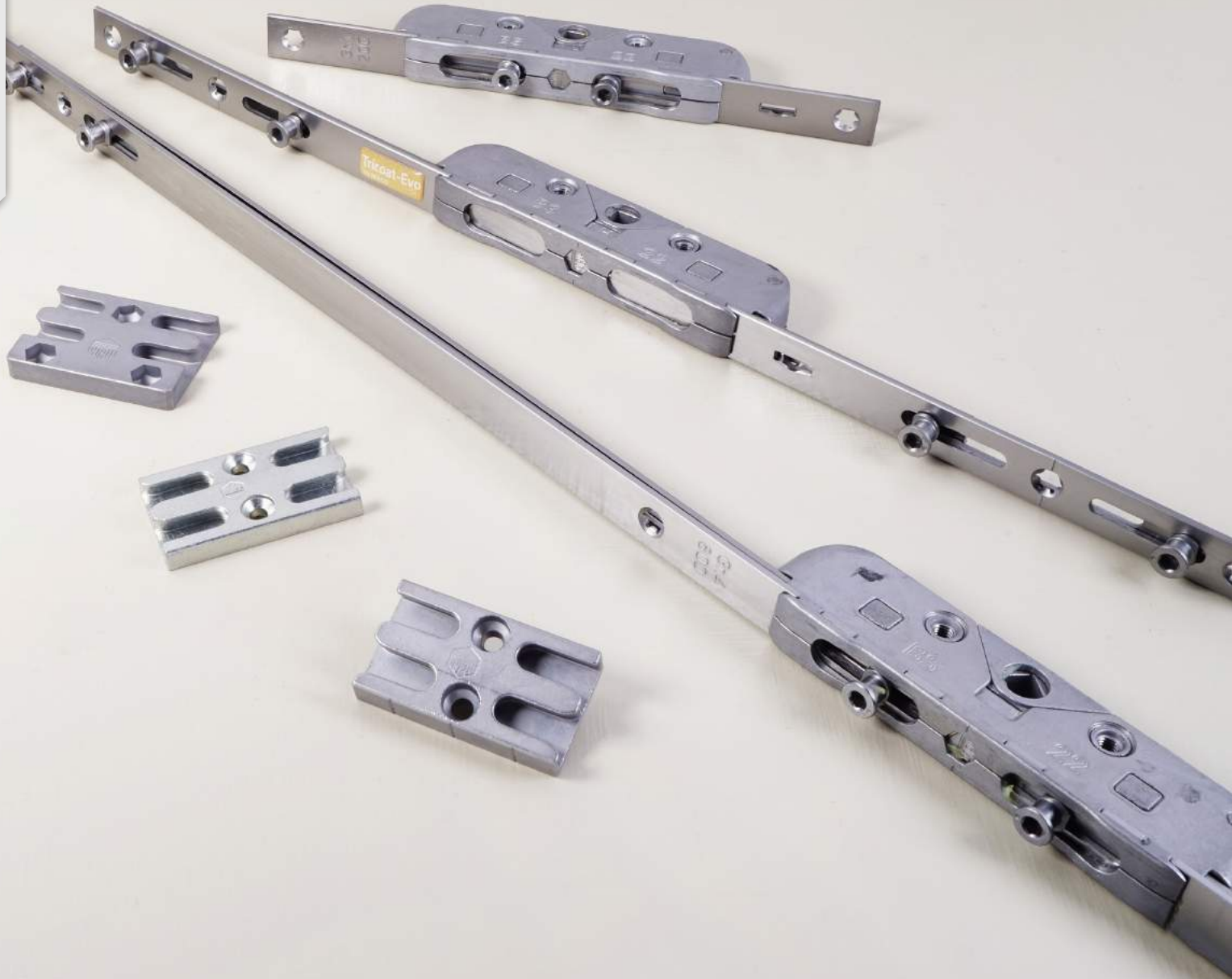
The window drawn on the right is a 'Right Hand' Tilt & Turn Master Sash Window with a Left Hand Turn Only Slave Sash, as the points of the arrow point to the 'hinged side'

Tilt only function can be achieved on single sashes if required.

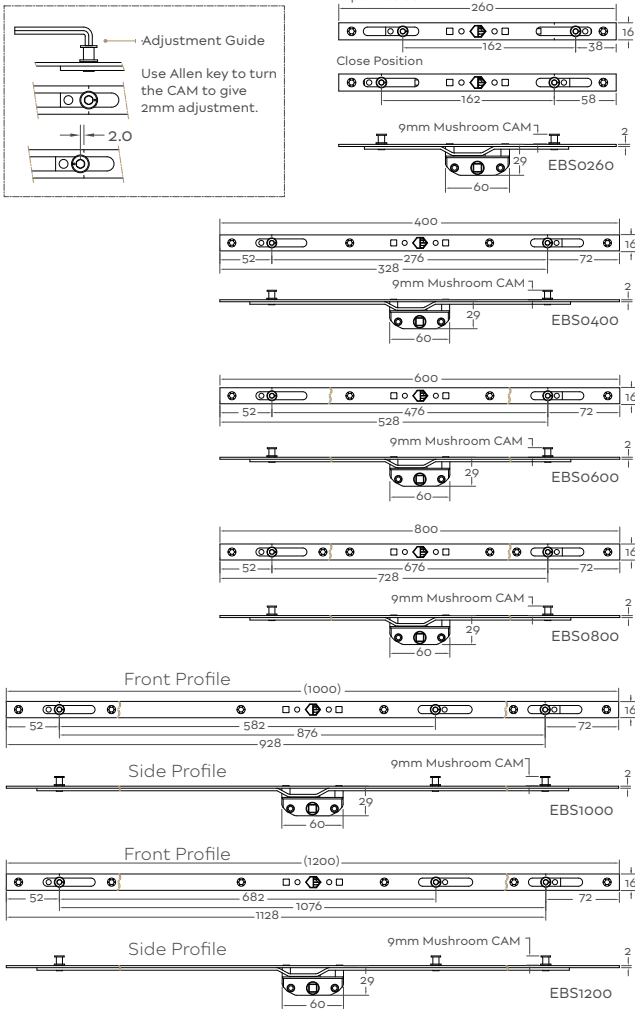


Inside the Property

Send your completed enquiry forms to: Email sales@coastal-group.com, or Fax 01726 871 731, Or call us on 01726 871 025 to discuss your requirements.



ESPAGNOLETTE BOLTS & KEEPS



EBS MACO Inline Espag Bolts

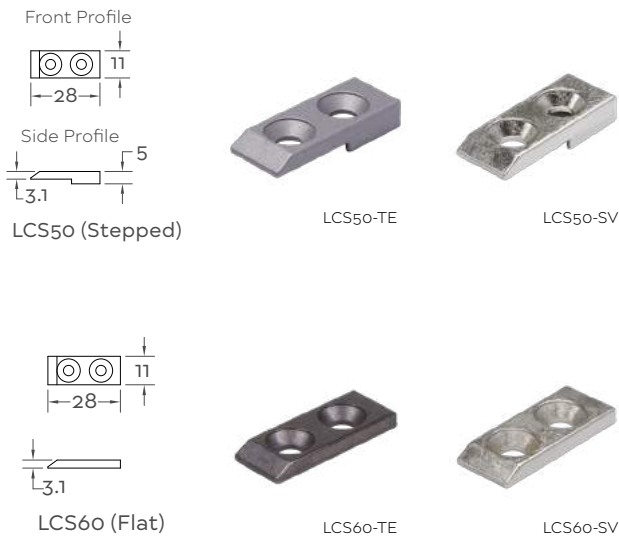
- Standard multipoint locking espagnolette bolt for side hung or top hung window applications
- Adjustable 9mm mushroom cams.
- Designed for profiles with the 16mm eurogroove
- Cannot be cropped



PART NUMBER	PRODUCT DESCRIPTION	FINISH	UNITS
EBS0260-SV	260mm bolt, 9mm mushroom, 2 locking points, 22mm backset	SV	Each
EBS0400-SV	400mm bolt, 9mm mushroom, 2 locking points, 22mm backset	SV	Each
EBS0600-SV	600mm bolt, 9mm mushroom, 2 locking points, 22mm backset	SV	Each
EBS0800-SV	800mm bolt, 9mm mushroom, 2 locking points, 22mm backset	SV	Each
EBS1000-SV	1000mm bolt, 9mm mushroom, 3 locking points, 22mm backset	SV	Each
EBS1200-SV	1200mm bolt, 9mm mushroom, 3 locking points, 22mm backset	SV	Each

Espagnolette Stabilising Plates

- Stabilising plates for use with EBT RAIL and EBM Type espagnolette bolts.
- Enhances the security of the window.
- Note MACO Tricoat-Evo plates must be used with the MACO Tricoat-Evo espag bolts and silver passivated finish with the silver passivated espag bolts - do not mix the finishes.



PART NUMBER	PRODUCT DESCRIPTION	FINISH	UNITS
LCS50-TE	EBT stepped stabilising plate	TE	Each
LCS50-SV		SV	Each
LCS60-TE	EBT flat stabilising plate	TE	Each
LCS60-SV		SV	Each

Complete your window with:



Trickle Vents
Page 240



Window Handles
Page 213



Window Hinges
Page 200

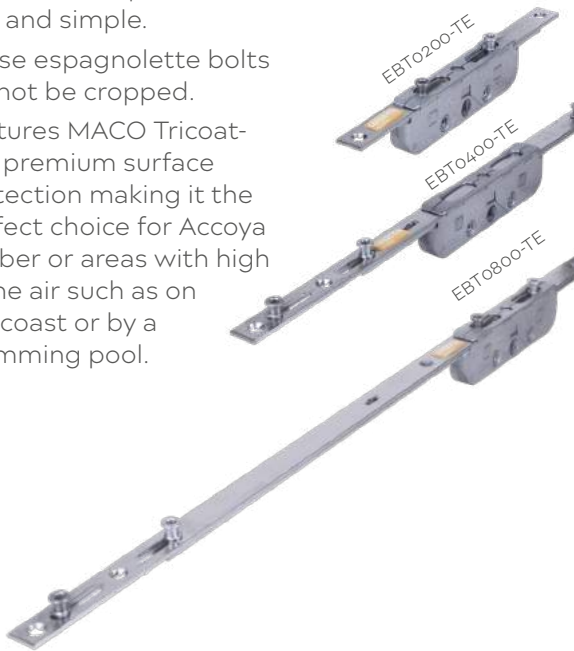


Weatherseals
Page 246

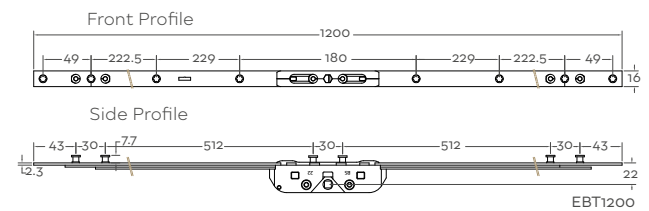
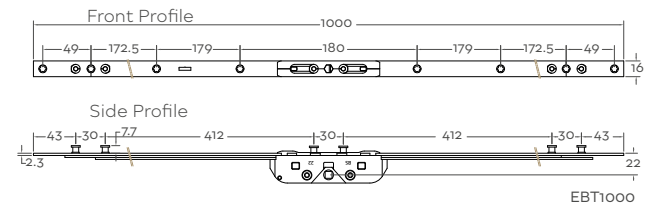
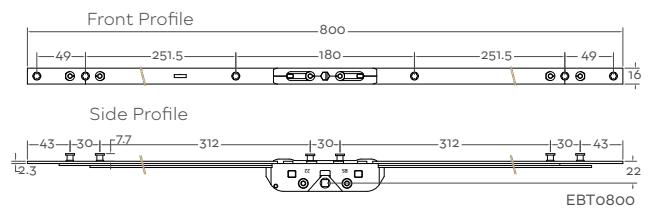
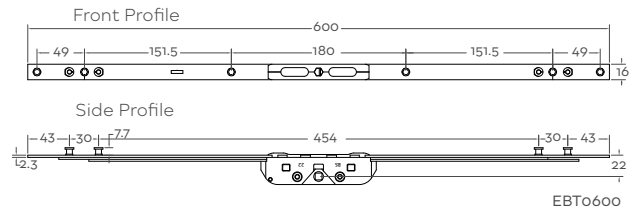
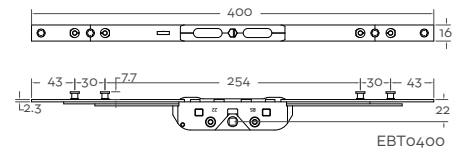
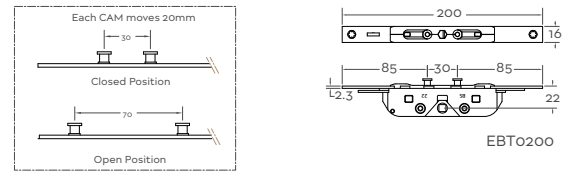
EBT MACO Tricoat-Evo RAIL Espag Bolt



- EBT RAIL espagnolette bolt is the ultimate inline multipoint locking system for side hung or top hung single windows.
- The R.A.I.L. (Reverse Action Inline) bolt operation pulls the locking cams together, clamping them into both sides of the striker plate for strength and security.
- Provides BS7950 levels of security for your windows without the need to fit a shootbolt espagnolette bolt.
- Symmetrical design with no cropping or extensions required makes fabrication fast and simple.
- These espagnolette bolts cannot be cropped.
- Features MACO Tricoat-Evo premium surface protection making it the perfect choice for Accoya Timber or areas with high saline air such as on the coast or by a swimming pool.

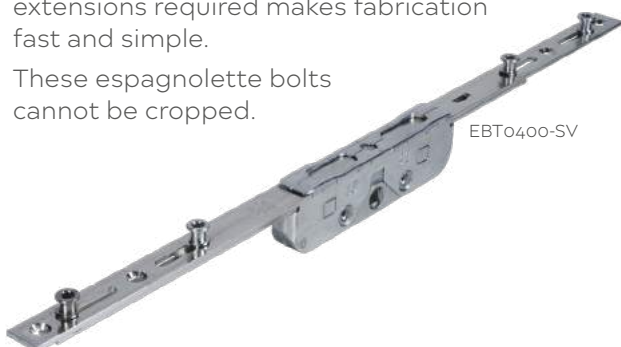


PART NUMBER	PRODUCT DESCRIPTION	FINISH	UNITS
EBT0200-22-TE	200mm bolt, 7,7mm mushroom, 1 locking point, 22mm backset	TE	Each
EBT0200-22-SV	200mm bolt, 7,7mm mushroom, 1 locking point, 22mm backset	SV	Each
EBT0400-22-TE	400mm bolt, 7,7mm mushroom, 2 locking point, 22mm backset	TE	Each
EBT0400-22-SV	400mm bolt, 7,7mm mushroom, 2 locking point, 22mm backset	SV	Each
EBT0600-22-TE	600mm bolt, 7,7mm mushroom, 2 locking point, 22mm backset	TE	Each
EBT0600-22-SV	600mm bolt, 7,7mm mushroom, 2 locking point, 22mm backset	SV	Each
EBT0800-22-TE	800mm bolt, 7,7mm mushroom, 3 locking point, 22mm backset	TE	Each
EBT0800-22-SV	800mm bolt, 7,7mm mushroom, 3 locking point, 22mm backset	SV	Each
EBT1000-22-TE	1000mm bolt, 7,7mm mushroom, 3 locking point, 22mm backset	TE	Each
EBT1000-22-SV	1000mm bolt, 7,7mm mushroom, 3 locking point, 22mm backset	SV	Each
EBT1200-22-TE	1200mm bolt, 7,7mm mushroom, 3 locking point, 22mm backset	TE	Each
EBT1200-22-SV	1200mm bolt, 7,7mm mushroom, 3 locking point, 22mm backset	SV	Each



EBT MACO RAIL Espag Bolt - Silver

- EBT RAIL espagnolette bolt is the ultimate inline multipoint locking system for side hung or top hung single windows.
- The R.A.I.L. (Reverse Action Inline) bolt operation pulls the locking cams together, clamping them into both sides of the striker plate for strength and security.
- Provides BS7950 levels of security for your windows without the need to fit a shoot bolt espagnolette bolt.
- Symmetrical design with no cropping or extensions required makes fabrication fast and simple.
- These espagnolette bolts cannot be cropped.

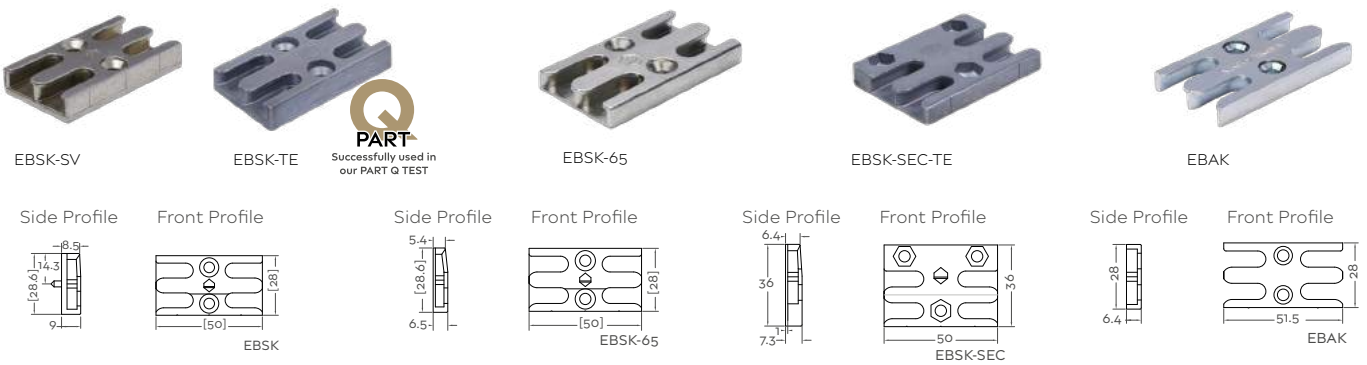


Visit www.coastal-group.com for CAD drawings

PART NUMBER	PRODUCT DESCRIPTION	FINISH	UNITS
EBSK-TE	Standard night vent keep	TE	Each
EBSK-SV		SV	Each
EBSK10-TE	Night Vent Striker with 7mm Stack & 3 Screw Holes - Everest	TE	Each
EBSK-65-SV	6.5mm High, Standard Night Vent Keep	SV	Each
EBSK-SEC-TE	Security night vent keep	TE	Each
EBSK-SEC-SV		SV	Each
EBAK-SV	Night vent keep, no back	SV	Each

Espag Bolts Night Vent Keeps

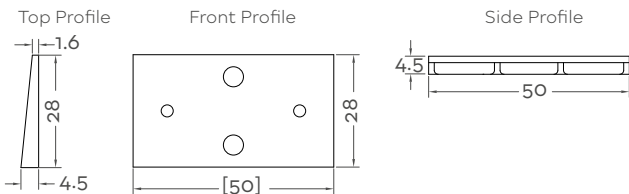
- Night vent keeps for use with mushroom type espagnolette bolts.
- Holds window secure in either the shut or night vent position.
- The bevelled edge should be fitted facing outwards
- EBSK-65 features no pips on the backplate and is ideal for lower stack height windows.
- EBSK-SEC - Extended security night vent - includes additional fixing points for enhanced security.
- Note MACO Tricoat-Evo keeps must be used with the MACO Tricoat-Evo espag bolts and silver passivated finish with the silver passivated espag bolts - do not mix the finishes.



PART NUMBER	PRODUCT DESCRIPTION	FINISH	UNITS
EBSK-P9-GR	Night vent keep bevel spacer packer	GR	Each

EBSK Bevelled Night Vent Keep Packer

- Bevelled plastic packer for the EBSK standard and EBSK-SEC security night vent keeps.
- Enables the keep to be fitted flat on a 9 degree bevel sill.



Visit www.coastal-group.com for CAD drawings

To help prevent corrosion we recommend using our stainless steel screws for fitting Tricoat-Evo hardware.



For full range of sizes see page 264.



FRICTION HINGES

Defender 'RESTRICTED' Friction Hinge

- Built-in child resistant mechanism limits initial opening
- Restrictor automatically relocates and resets once hinge is closed.
- Asymmetric location system for reliable and accurate closure.
- Quick release lever allows the window to be fully opened for easy cleaning and total ventilation.
- Extended enclosed end cap enhances weather sealing performance of window.
- Compliant with BS EN 13126-6, tested to BS EN 1670.
- Endurance tested to 30,000 cycles.
- Hinges are handed from the outside - if window hung on the left you need a left hand pair.

Defender 'RESTRICTED' Friction Hinge - Side Hung

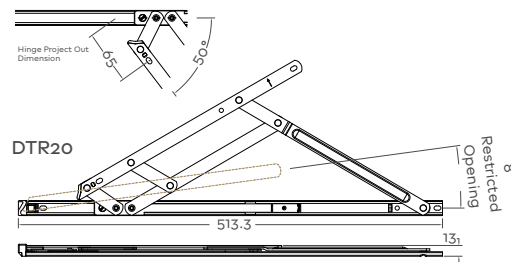
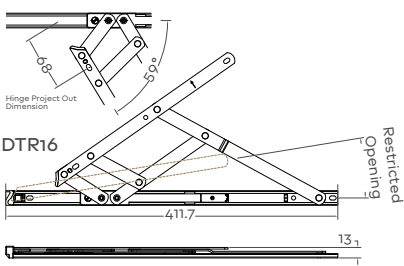
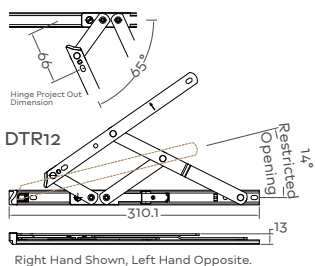
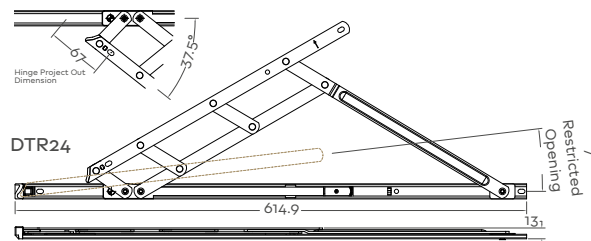
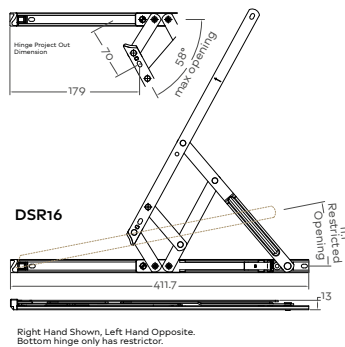
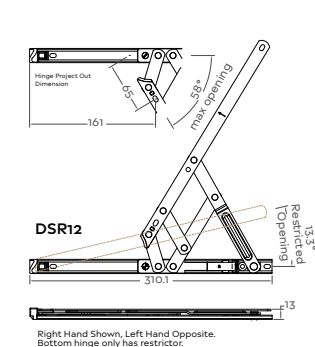


Defender 'RESTRICTED' Friction Hinge - Top Hung



PART NUMBER	PRODUCT DESCRIPTION	FINISH	UNITS
DSR12-LH-FC-FSS	LH 12" Side hung, res. flush cap	FSS	Pair
DSR12-RH-FC-FSS	RH 12" Side hung, res. flush cap	FSS	Pair
DSR16-LH-FC-FSS	LH 16" Side hung, res. flush cap	FSS	Pair
DSR16-RH-FC-FSS	RH 16" Side hung, res. flush cap	FSS	Pair

PART NUMBER	PRODUCT DESCRIPTION	FINISH	UNITS
DTR12-FC-FSS	12" Top Hung, res. flush cap	FSS	Pair
DTR16-FC-FSS	16" Top Hung, res. flush cap	FSS	Pair
DTR20-FC-FSS	20" Top Hung, res. flush cap	FSS	Pair
DTR24-FC-FSS	24" Top Hung, res. flush cap	FSS	Pair



Visit www.coastal-group.com for CAD drawings

PART NUMBER	HINGE	MATERIAL	HINGE SIZE	MIN / MAX SASH WIDTH	MAX SASH WEIGHT	STACK HEIGHT	GROOVE SIZE WIDTH	MAX OPENING ANGLE (+/-2.5°)	RESTRICTED MAX OPENING ANGLE (+/-2.5°)
DSR12-LH-FC-FSS	Side (LH)	Ferritic SS	310mm	300 / 600mm	22kg	13mm	16mm	58°	13°
DSR12-RH-FC-FSS	Side (RH)	Ferritic SS	310mm	300 / 600mm	22kg	13mm	16mm	58°	13°
DSR16-LH-FC-FSS	Side (LH)	Ferritic SS	412mm	400 / 700mm	24kg	13mm	16mm	58°	11°
DSR16-RH-FC-FSS	Side (RH)	Ferritic SS	412mm	400 / 700mm	24kg	13mm	16mm	58°	11°
PART NUMBER	HINGE	MATERIAL	HINGE SIZE	MIN / MAX SASH HEIGHT	MAX SASH WEIGHT	STACK HEIGHT	GROOVE SIZE WIDTH	MAX OPENING ANGLE (+/-2.5°)	RESTRICTED MAX OPENING ANGLE (+/-2.5°)
DTR12-FC-FSS	Top	Ferritic SS	310mm	350 / 550mm	20kg	13mm	16mm	65°	14°
DTR16-FC-FSS	Top	Ferritic SS	412mm	500 / 780mm	21kg	13mm	16mm	59°	10°
DTR20-FC-FSS	Top	Ferritic SS	513mm	700 / 1100mm	26kg	13mm	16mm	50°	8°
DTR24-FC-FSS	Top	Ferritic SS	615mm	850 / 1300mm	40kg	13mm	16mm	37.5°	7°

Defender 'STANDARD' Friction Hinge

- High performance friction hinge for side hung or top hung windows.
- Improved weathersealing and draught proofing performance from extended enclosed end cap and asymmetrical vent arm to meet BS 6375-1:2009 performance of windows.
- Lipped slider for enhanced smooth operation.
- Easy friction adjustment without metal to metal contact.
- Unique robust cam friction device eliminates any risk of friction screw misuse.
- Enclosed end cap to prevent ingress of debris and provide increased cavity tolerance.
- Endurance tested to 30,000 cycles.
- Flush cap version is for timber windows to minimise required routing.



Defender 'STANDARD' Friction Hinge - Side Hung



Defender 'STANDARD' Friction Hinge - Top Hung

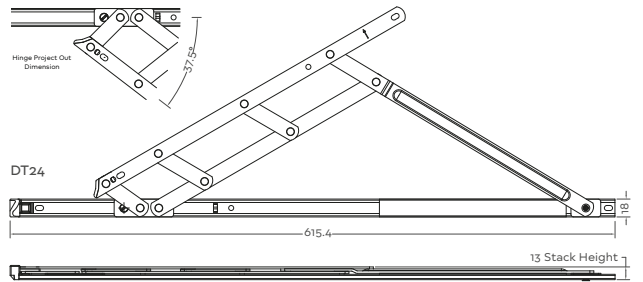
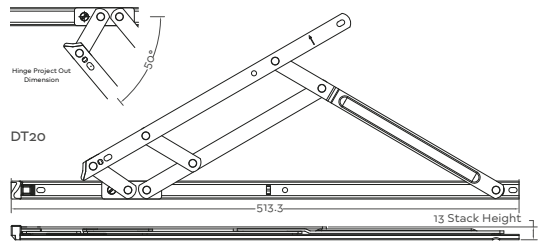
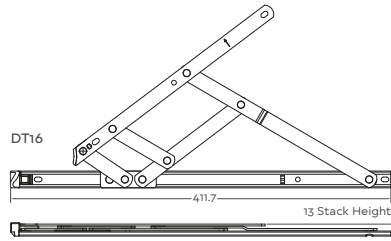
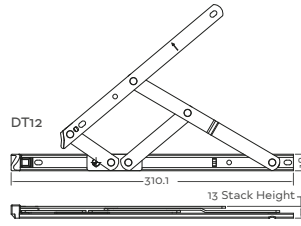
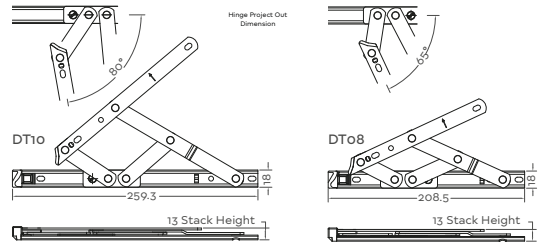
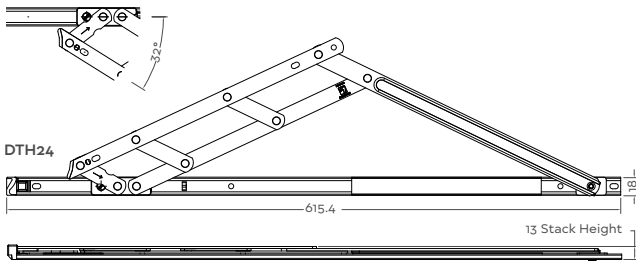
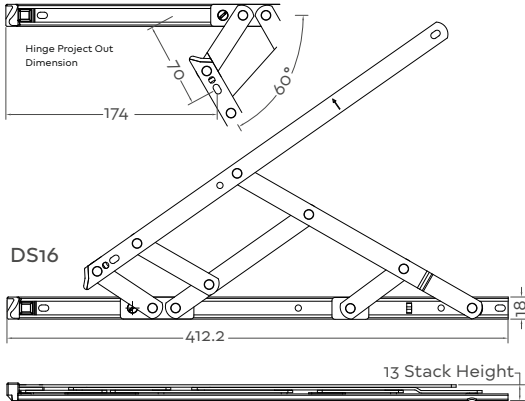
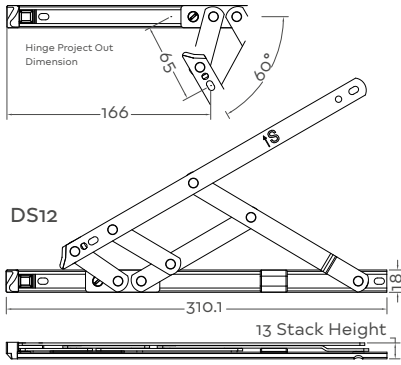
- Successfully used on our Part Q Test.



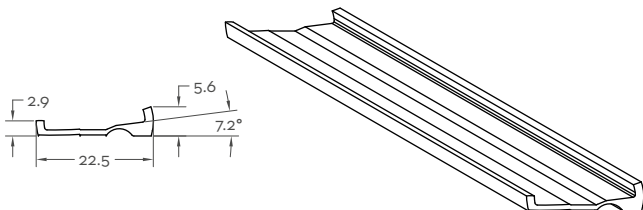
PART NUMBER	PRODUCT DESCRIPTION	FINISH	UNITS
DS12-FC-FSS	12" Side hung, std, flush cap	FSS	Pair
DS16-FC-FSS	16" Side hung, std, flush cap	FSS	Pair
DSH16-PC-ASS	16" Side hung, proj. cap, H/duty	ASS	Pair

PART NUMBER	PRODUCT DESCRIPTION	FINISH	UNITS
DT08-FC-FSS	8" Side/Top hung, std, flush cap	FSS	Pair
DT10-FC-FSS	10" Top hung, std, flush cap	FSS	Pair
DT12-FC-FSS	12" Top hung, std, flush cap	FSS	Pair
DT16-FC-FSS	16" Top hung, std, flush cap	FSS	Pair
DT20-FC-FSS	20" Top hung, std, flush cap	FSS	Pair
DT24-FC-FSS	24" Top hung, std, flush cap	FSS	Pair
DTH24-FC-FSS	24" Top hung, std, flush cap, H/duty	FSS	Pair

PART NUMBER	HINGE	MATERIAL	HINGE SIZE	MIN / MAX SASH WIDTH	MAX SASH WEIGHT	STACK HEIGHT	GROOVE SIZE WIDTH	MAX OPENING ANGLE (+/-2.5°)	FIRE ESCAPE? (Egress)
DT08-FC-FSS	Side	Ferritic SS	209mm	200 / 400mm	18kg	13mm	16mm	65°	No
DS12-FC-FSS	Side	Ferritic SS	310mm	300 / 600mm	22kg	13mm	16mm	60°	No
DS16-FC-FSS	Side	Ferritic SS	412mm	400 / 700mm	24kg	13mm	16mm	60°	No
DSH16-PC-ASS	Side	Austenitic SS	412mm	400 / 1000mm	40g	13.5mm	16mm	60°	No
PART NUMBER	HINGE	MATERIAL	HINGE SIZE	MIN / MAX SASH HEIGHT	MAX SASH WEIGHT	STACK HEIGHT	GROOVE SIZE WIDTH	MAX OPENING ANGLE (+/-2.5°)	FIRE ESCAPE? (Egress)
DT08-FC-FSS	Top	Ferritic SS	209mm	200 / 350mm	12kg	13mm	16mm	65°	No
DT10-FC-FSS	Top	Ferritic SS	259mm	275 / 400mm	16kg	13mm	16mm	80°	No
DT12-FC-FSS	Top	Ferritic SS	310mm	350 / 550mm	20kg	13mm	16mm	80°	Yes
DT16-FC-FSS	Top	Ferritic SS	412mm	500 / 780mm	21kg	13mm	16mm	80°	Yes
DT20-FC-FSS	Top	Ferritic SS	513mm	700 / 1100mm	26kg	13mm	16mm	50°	Yes
DT24-FC-FSS	Top	Ferritic SS	615mm	850 / 1300mm	40kg	13mm	16mm	37.5°	Yes
DTH24-FC-FSS	Top	Ferritic SS	615mm	850 / 1500mm	50kg	13.5mm	16mm	32°	Yes



Visit www.coastal-group.com for CAD drawings



Friction Hinge Packers

- Friction Hinge packers are used to sit under the Friction hinge.
- Bevelled to take into account the bevel on the sill enabling the Friction Hinge to sit horizontal to the sash.



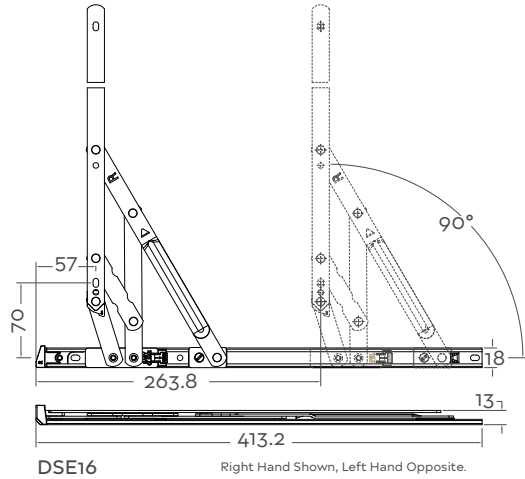
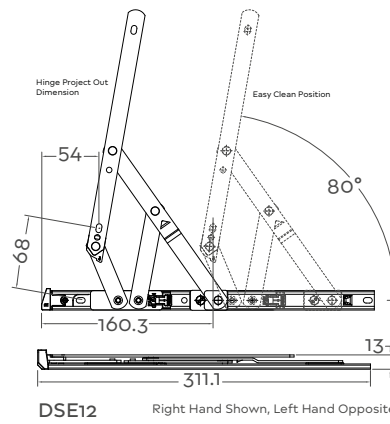
PART NUMBER	PRODUCT DESCRIPTION	FINISH	UNITS
FHP16-GR	16" Friction Hinge packer	GR	Each

Defender 'EGRESS EASY CLEAN' Friction Hinge - Side Hung

- Allows casement windows to open for emergency exit, to comply with Buildings Regulations Approved Document B for fire escape windows.
- Composite slider with stainless steel release lever mechanism allows the window to be slid across for cleaning from inside of the building to comply with BS 8213-1: 2004.
- Endurance tested to 30,000 cycles.
- Automatically resets to the fire escape mode when window is closed.
- Self-lubricating PTFE based coating on the end cap provides smooth closing operation.
- Does not work on the HPF Trend System.



DSE12



PART NUMBER	PRODUCT DESCRIPTION	FINISH	UNITS
DSE12-PC-FSS	12" Side Hung, egress, projecting cap	FSS	Pair
DSE16-PC-FSS	16" Side Hung, egress, projecting cap	FSS	Pair

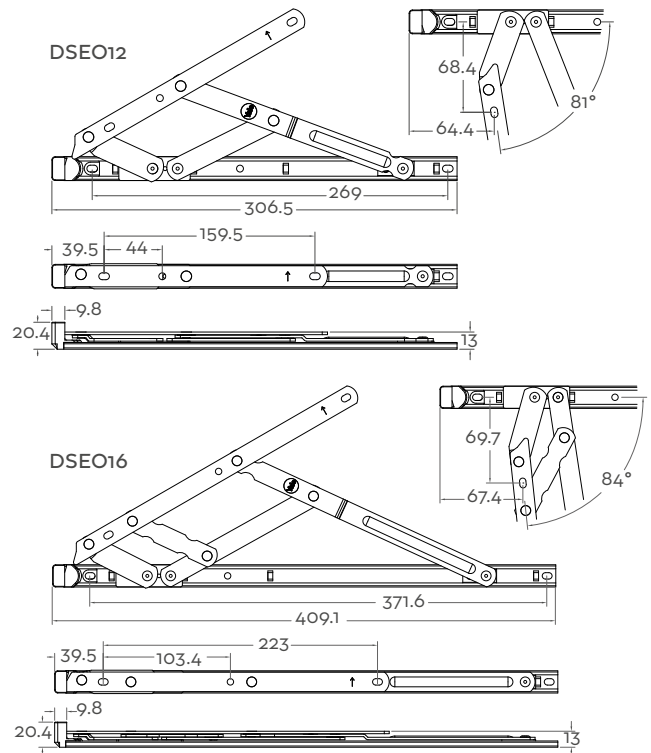
Defender 'EGRESS ONLY' Friction Hinge - Side Hung

- Made from Ferritic Stainless Steel.
- Slider with friction for smooth operation
- Endurance tested to 20,000 Cycles.
- Corrosion Tested to 96 hours.
- 10 Year Mechanical Guarantee.



DSE012

DSE016



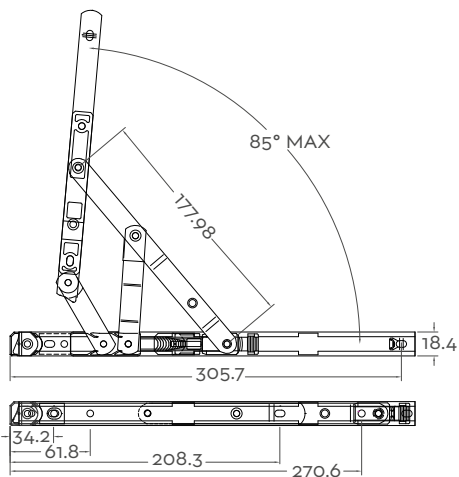
PART NUMBER	PRODUCT DESCRIPTION	FINISH	UNITS
DSE012-PC-FSS	12" Side hung, egress only friction hinge	FSS	Pair
DSE016-PC-FSS	16" Side hung, egress only friction hinge	FSS	Pair

Visit www.coastal-group.com for CAD drawings

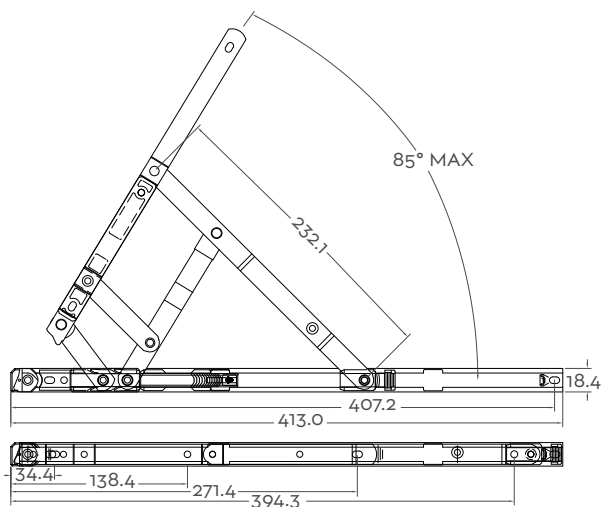
PART NUMBER	HINGE	MATERIAL	HINGE SIZE	MIN / MAX SASH WIDTH	MAX SASH WEIGHT	STACK HEIGHT	GROOVE SIZE WIDTH	MAX OPENING ANGLE (+/-2.5°)	FIRE ESCAPE (Egress)	EASY CLEAN
DSE12-FC-FSS	Side	Ferritic SS	311mm	300 / 600mm	22kg	13mm	16mm	80°	Yes	Yes
DSE16-FC-FSS	Side	Ferritic SS	413mm	400 / 700mm	24kg	13mm	16mm	90°	Yes	Yes
DSE012-PC-FSS	Side	Ferritic SS	311mm	300 / 600mm	22kg	13mm	16mm	81°	Yes	No
DSE016-PC-FSS	Side	Ferritic SS	413mm	400 / 700mm	24kg	13mm	16mm	84°	Yes	No

Cotswold 'EZ EASI CLEAN EGRESS' Friction Hinge - Side Hung

- Allows full opening of the window providing clear egress in excess of 500mm on a 600mm wide sash.
- Easy to operate thumb catches allow the sash to slide to the easy clean position giving between 100mm and 250mm clear opening.
- Automatically resets to egress position when the window is closed.
- Conforms to BS6375 Parts 1 and 2.



CT312EZ-13-FSS



CT316EZ-13-FSS



PART NUMBER	PRODUCT DESCRIPTION	FINISH	UNITS
CT312EZ-13-FSS	311mm Side Hung - Egress, easy clean	FSS	Pair
CT316EZ-13-FSS	413mm Side Hung - Egress, easy clean	FSS	Pair

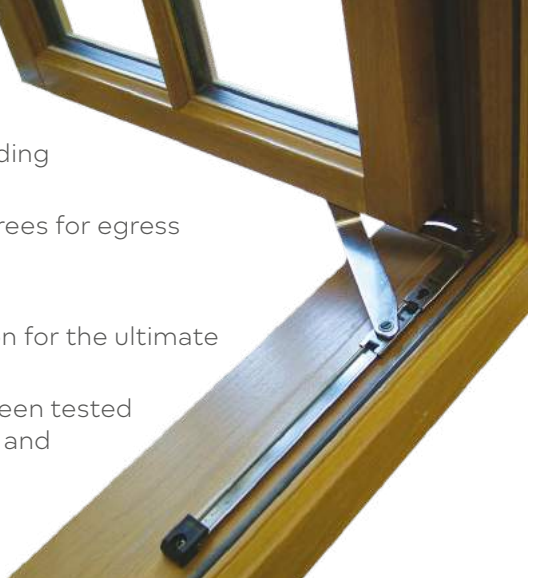
PART NUMBER	HINGE	MATERIAL	HINGE SIZE	MIN / MAX SASH WIDTH	MAX SASH WEIGHT	STACK HEIGHT	GROOVE SIZE WIDTH	MAX OPENING ANGLE (+/-2.5°)	FIRE ESCAPE (Egress)	EASY CLEAN
CT312EZ-13-FSS	Side	Ferritic SS	311mm	600 / 1200mm	18kg	13mm	SA 16 FA 28	85°	Yes	Yes
CT316EZ-13-FSS	Side	Ferritic SS	413mm	600 / 1200mm	21kg	13mm	SA 16 FA 28	85°	Yes	Yes

You may also need the Phillips Pan Head 4.3mm x 25mm, A2 Stainless Steel Friction Hinge Screws - FX-UKF4325-USS.



Sumo 'EGRESS' Friction Hinge - Side Hung

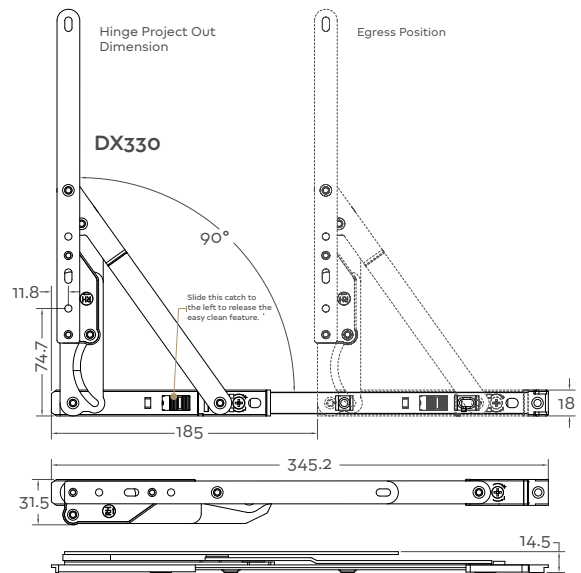
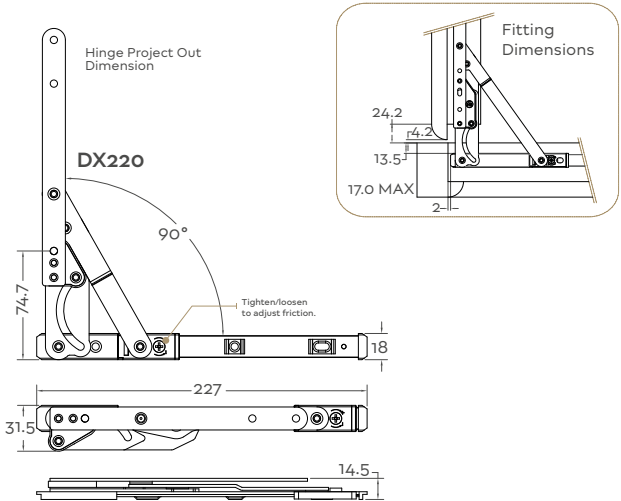
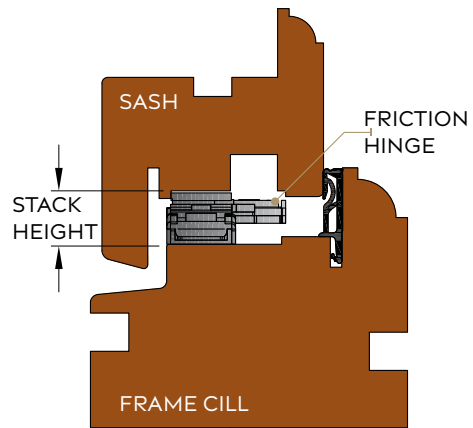
- The Sumo' MEGA EGRESS' hinge solves the issues of the sash binding on the frame, projecting the sash out before swinging.
- Designed to maximise escape aperture, opening to a true 90 degrees for egress compliance.
- Suitable for all side hung casement windows.
- Tested to BS EN 1670:2007 and has exceeded Grade 5 classification for the ultimate in corrosion resistance.
- Tested over 25,000 cycles with a 40kg operational load, and has been tested to PAS 24:2012 (BS 7950:1997) on our Part Q window configuration and passed.
- 430 Grade Stainless Steel / Aluminium / Nylon components.
- Reduces possibility of finger entrapment.
- Provides excellent compression and is the ideal hinge for triple glazing applications.



PART NUMBER	PRODUCT DESCRIPTION	FINISH	UNITS
DX220-FSS	227mm Sumo Baby, non-easy clean	FSS	Pair
DX330-FSS	345mm Sumo Daddy, easy clean	FSS	Pair



DX220



Visit www.coastal-group.com for CAD drawings

PART NUMBER	HINGE	MATERIAL	HINGE SIZE	MAX SASH WIDTH	MAX SASH WEIGHT	STACK HEIGHT	GROOVE SIZE WIDTH	MAX OPENING ANGLE (+/-2.5°)	FIRE ESCAPE (Egress)	EASY CLEAN
DX220-FSS	Side	Ferritic SS	220mm	600mm	33kg	14.5	16mm	90°	Yes	No
DX330-FSS	Side	Ferritic SS	345mm	900mm	40kg	14.5	16mm	90°	Yes	Yes

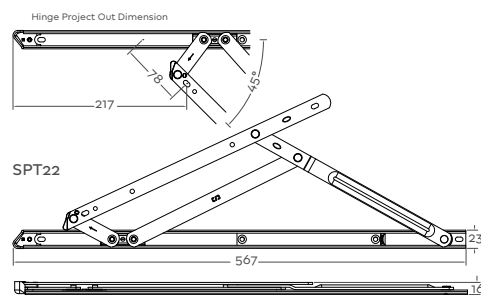
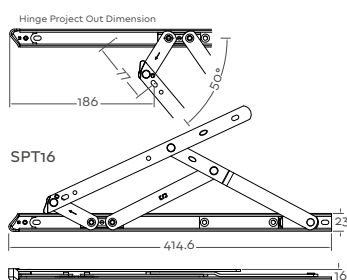
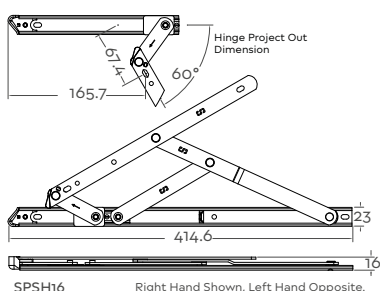
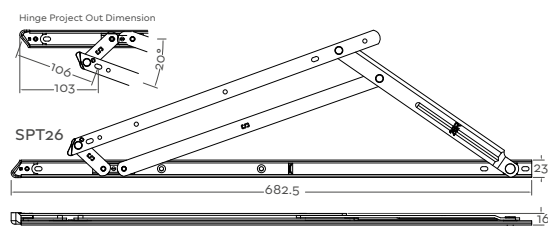
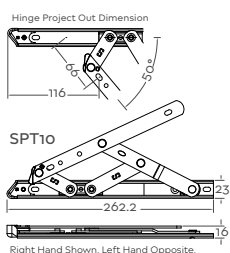
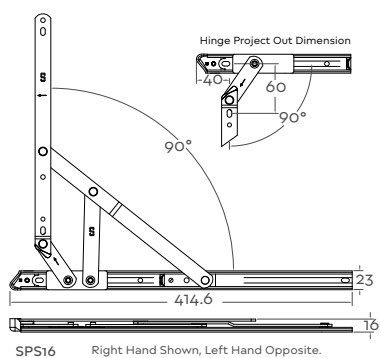
Sterling 'HEAVY DUTY' Friction Hinge

- Sterling heavy duty self-balancing friction hinge.
- Capable of achieving BS 6375: 2009, AAMA 901-01 and SS 212: 2007.
- Anti-rubbing composite slider eliminates metal to metal contact for superior durability, strength and maximum wear resistance, tested to 30,000 cycles.
- Excellent weather sealing.
- Superior carrying capacity.
- Adjustable opening stop on top hung friction hinges.
- Austenitic stainless steel for high corrosion resistance.

Sterling 'HEAVY DUTY' Friction Hinge - Side Hung



PART NUMBER	PRODUCT DESCRIPTION	FINISH	UNITS
SPS16-ASS	16" Side hung sterling 47kg, 90°	ASS	Pair
SPSH16-ASS	16" Side hung sterling 55kg, 60°	ASS	Pair



Sterling 'HEAVY DUTY' Friction Hinge - Top Hung



PART NUMBER	PRODUCT DESCRIPTION	FINISH	UNITS
SPT10-ASS	10" Top hung sterling friction	ASS	Pair
SPT12-ASS	12" Top hung sterling friction	ASS	Pair
SPT16-ASS	16" Top hung sterling friction	ASS	Pair
SPT22-ASS	22" Top hung sterling friction	ASS	Pair
SPT26-ASS	26" Top hung sterling friction	ASS	Pair

PART NUMBER	HINGE	MATERIAL	HINGE SIZE	MIN / MAX SASH WIDTH	MAX SASH WEIGHT	STACK HEIGHT	GROOVE SIZE WIDTH	MAX OPENING ANGLE (+/-2.5°)	FIRE ESCAPE (Egress)	EASY CLEAN
SPS16-ASS	Side	Austenitic SS	415mm	450 / 838mm	47kg	16mm	SA = 19 x 2.5mm FA = 24 x 6mm	90°	No	No
SPSH16-ASS	Side	Austenitic SS	415mm	450 / 838mm	55kg	16mm	SA = 19 x 2.5mm FA = 24 x 6mm	60°	No	No
PART NUMBER	HINGE	MATERIAL	HINGE SIZE	MIN / MAX SASH HEIGHT	MAX SASH WEIGHT	STACK HEIGHT	GROOVE SIZE WIDTH	MAX OPENING ANGLE (+/-2.5°)	FIRE ESCAPE (Egress)	EASY CLEAN
SPT10-ASS	Top	Austenitic SS	262mm	267 / 635mm	40kg	16mm	SA = 19 x 2.5mm FA = 24 x 6mm	50°	No	No
SPT12-ASS	Top	Austenitic SS	313mm	635 / 787mm	50kg	16mm	SA = 19 x 2.5mm FA = 24 x 6mm	50°	No	No
SPT16-ASS	Top	Austenitic SS	415mm	787 / 1090mm	65kg	16mm	SA = 19 x 2.5mm FA = 24 x 6mm	50°	No	No
SPT22-ASS	Top	Austenitic SS	567mm	1090 / 1500mm	100kg	16mm	SA = 19 x 2.5mm FA = 24 x 6mm	45°	No	No
SPT26-ASS	Top	Austenitic SS	680mm	2000 / 2500mm	180kg	16mm	SA = 19 x 2.5mm FA = 24 x 6mm	20°	No	No



WINDOW BUTT HINGES & PIVOTS

HY3 Hinge

- Ultimate quality hinge made from 316 Marine Grade Stainless Steel to prevent corrosion in acidic timber or coastal environments.
- CNC precision engineered components ensure a smooth operation, and a consistent fit and prevent the window from dropping.
- Clean lined, slim triple knuckle hinge with a 3mm gap.
- Tested to 40kg over 2 hinges, 25,000 cycles
- Works well with Shimwell Hinge Packer System.

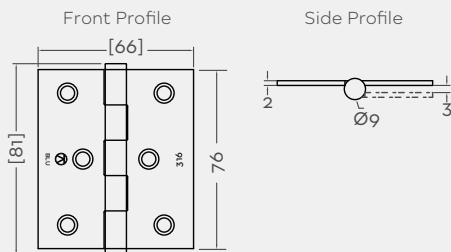


BLU™ Slim Knuckle Window Hinge - Square Corner



PART NUMBER	PRODUCT DESCRIPTION	FINISH	UNITS
HY3-SSS	Slim knuckle window hinge - square corner	SSS	Each
HY3-PSS		PSS	Each
HY3-PSB*		PSB	Each
HY3-PPB		PPB	Each
HY3-MSB		MSB	Each
HY3-ORB		ORB	Each

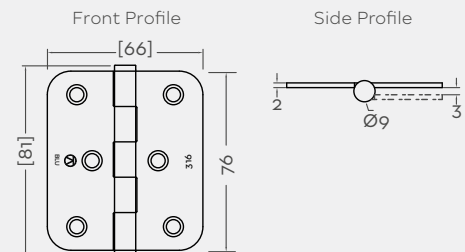
*Available Q4 2023



BLU™ Slim Knuckle Window Hinge - Radius Corner



PART NUMBER	PRODUCT DESCRIPTION	FINISH	UNITS
HY3R-SSS	Slim knuckle window hinge - radius corner	SSS	Each
HY3R-PPB		PPB	Each
HY3R-MSB		MSB	Each



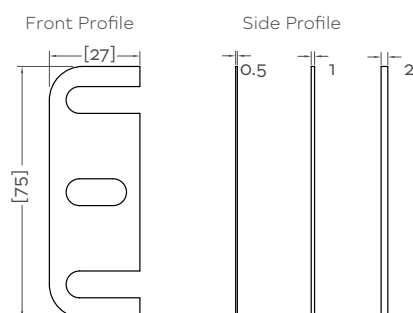
Visit www.coastal-group.com for CAD drawings

Shimwell™ Hinge Packers

- Your solution to prevent timber windows jamming and binding, for use with the HY3/R hinges.
- Enables quick and easy adjustments when the window swells, ending the inconvenience of having to plane the window down to release the bind.
- Each Shimwell™ moves the hinge pin in between 0.5 – 2.0mm and can be used in pairs to create a larger shim to suit more severe gaps.
- Made from 316 Stainless Steel.



HY3 / HY3R Shimwell™ Packers



PART NUMBER	PRODUCT DESCRIPTION	FINISH	UNITS
HQ-305-R-USS	HY3 0.5mm Shimwell packer	USS	Pack 50
HQ-310-R-USS	HY3 1mm Shimwell packer	USS	Pack 50
HQ-320-R-USS	HY3 2mm Shimwell packer	USS	Pack 50

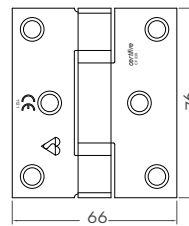
HB3 Stainless Steel Ball Bearing Hinge

- Tested to BS EN 1935: 2002 Grade 11
- Made from 304 grade stainless steel.
- Weight capacity 80kg using 3 hinges.
- CE marked and Certifire tested.
- FD30 fire rating achieved when the door is fitted with 3 hinges and intumescent hinge pads.
- Not recommended for external use or with acidic timber (Use HY3 hinges for these window applications).

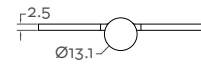


PART NUMBER	PRODUCT DESCRIPTION	FINISH	UNITS
HB3-SSS	76 x 66 x 2.5mm Ball bearing hinge	SSS	Pair

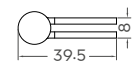
Front (Hinge Open)



Top (Hinge Open)



Hinge Closed



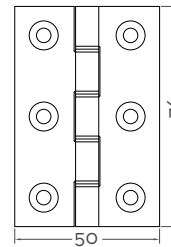
Double Stainless Steel Washered Brass Hinge

- Medium duty butt hinge.
- Features stainless steel washers.
- Manufactured from solid drawn brass.

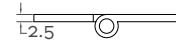


PART NUMBER	PRODUCT DESCRIPTION	FINISH	UNITS
HDSSW2-SC	76 x 50 x 2.5mm DSSW hinge	SC	Pair

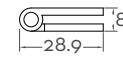
Front (Hinge Open)



Top (Hinge Open)



Hinge Closed



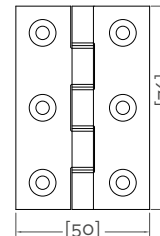
Double Phosphor Bronze Washered Brass Hinge

- Medium duty butt hinge.
- Features double phosphor bronze washers.
- Manufactured from solid drawn brass.
- Not recommended for external use or with acidic timbers.

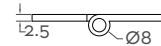


PART NUMBER	PRODUCT DESCRIPTION	FINISH	UNITS
HDPBW21-BP	76 x 50 x 2.5mm DPBW hinge	BP	Pair

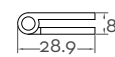
Front (Hinge Open)



Top (Hinge Open)



Hinge Closed



Visit www.coastal-group.com for CAD drawings

Hinge Quantity Chart				
HEIGHT (mm)	WIDTH (mm)			
	< 500	501-600	601-700	701-800
1401 - 1500		3(3)	3(3)	3(4)
1301 - 1400	2(3)	3(3)	3(3)	3(4)
1201 - 1300	2(3)	3(3)	3(3)	3(4)
1101 - 1200	2(3)	3(3)	3(3)	3(4)
1001 - 1100	2(3)	3(3)	3(3)	3(3)
901 - 1000	2(2)	2(2)	2(2)	3(3)
801 - 900	2(2)	2(2)	2(2)	3(3)
701 - 800	2(2)	2(2)	2(2)	3(3)
601 - 700	2(2)	2(2)	2(2)	
501 - 600	2(2)	2(2)	2(2)	
< 500	2(2)			



FH70 Left Hand hinges shown

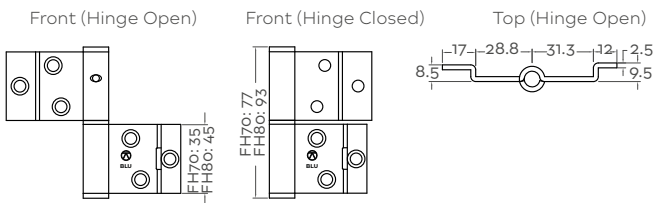
Hinge Quantity Chart

The chart helps you select how many hinges you require based on your sash height & width. The numbers in brackets are the number of hinges required per sash when using triple glazing.

FH70/FH80 Hinge Handing Information

These hinges are handed from the outside. They are cranked and designed to fit the Tritus groove detail, making them a handed product. The bottom part of the hinge with the pin fits into the 12mm groove in the frame, with the pin uppermost, the other half of the hinge fits into the 17mm groove in the sash with the hole facing downwards.

PART NUMBER	PRODUCT DESCRIPTION	FINISH	UNITS
FH70-LH-SSS	70mm Tritus Flush Lift Off Butt Hinge	SSS	Each
FH70-RH-SSS		SSS	Each
FH70-LH-PSS		PSS	Each
FH70-RH-PSS		PSS	Each
FH70-LH-PSB		PSB	Each
FH70-RH-PSB		PSB	Each
FH70-LH-PPB		PPB	Each
FH70-RH-PPB		PPB	Each
FH70-LH-PBK		PBK	Each
FH70-RH-PBK		PBK	Each
FH70-LH-SV	90mm Tritus Flush Lift Off Butt Hinge	SV	Each
FH70-RH-SV		SV	Each
FH80-LH-SSS		SSS	Each
FH80-RH-SSS		SSS	Each
FH80-LH-WH		WH	Each
FH80-RH-WH		WH	Each
FH80-LH-SV		SV	Each
FH80-RH-SV		SV	Each



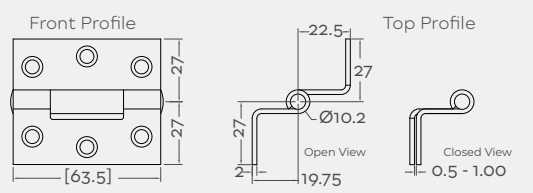
Tritus™ Flush Lift-Off Butt Hinge



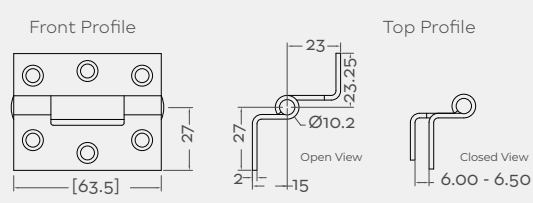
- High quality lift-off butt hinge with pressed flanges to fit into the Tritus or IPA grooves for extremely quick installation.
- Lift-off feature means the sashes can be sent to site after frame installation, and can be easily lifted off for repainting.
- Hinges meet the requirements of BS DS EN 1935: 2002 Grade 9: 25,000 cycles / 60kg.
- PBK black finish has been successfully salt spray tested to 1000 hours: ASTM B117:2019
- Successfully used in Part Q Test.
- Made from 316 Marine Grade Stainless Steel except FH70-SV & FH80 in all finishes.



Note these hinges are handed looking from the outside of the building - see previous page for handing information.



HX50



HX60

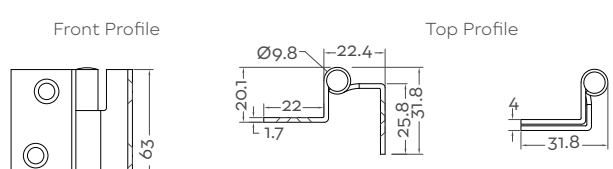
BLU™ HX Stormproof Hinge



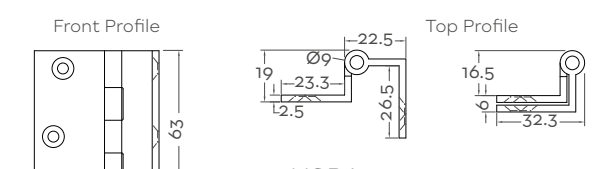
- High quality 316 Marine Grade Stainless Steel hinge for stormproof timber windows.
- Ideal for use where corrosion levels are high such as coastal environments and with acidic timber.



PART NUMBER	PRODUCT DESCRIPTION	FINISH	UNITS
HX50-SSS	63mm Hinge - 0.5 - 1.0 mm gap	SSS	Each
HX60-SSS	63mm Hinge - 6.0 - 6.5 mm gap	SSS	Each



HSP63



HSP64

Standard Stormproof Hinge

- HSP63 stormproof hinge manufactured from mild steel.
- HSP64 stormproof hinge manufactured from solid drawn brass.



PART NUMBER	PRODUCT DESCRIPTION	FINISH	UNITS
HSP63-ZP	63mm Stormproof hinge	ZP	Each
HSP64-SB	64mm Stormproof hinge	SB	Each

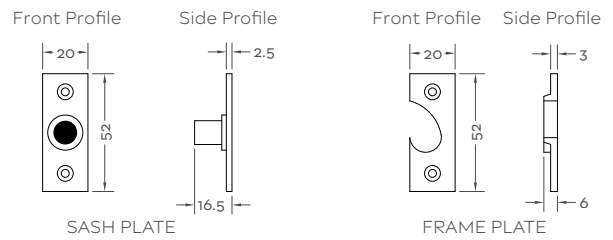


Concealed Brass Pivot Set

- Concealed window pivot set manufactured from burnished solid brass.
- Note this is supplied as a set of 4 parts 2 sash plates and 2 frame plates.



PART NUMBER	PRODUCT DESCRIPTION	FINISH	UNITS
SP68-BP	Sash window pivot	BP	Pair

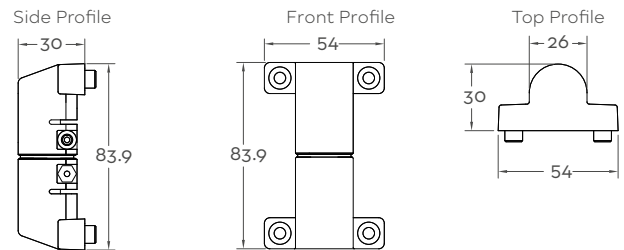


Face Fixed Pivot Set

- Face Fixed Pivot hinge for windows with or without cover bars.
- No need to mortice the sash or frame, reducing window manufacturing times.
- Friction brake adjustment.



PART NUMBER	PRODUCT DESCRIPTION	FINISH	UNITS
AX9-SV	Axis pivot - 50kg	SV	Pair

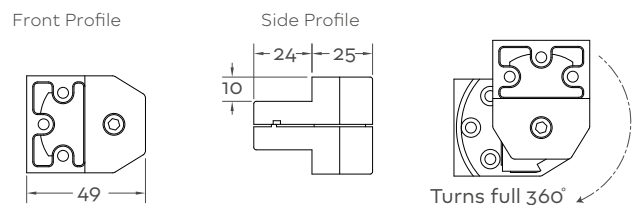


Mortice Pivot Set

- Mortice Pivot set precision made in Germany for use on round or conventional timber windows.
- Adjustable friction.



PART NUMBER	PRODUCT DESCRIPTION	FINISH	UNITS
PV12036-SV	Mortice pivot set - 40kg	SV	Pair



Visit www.coastal-group.com for CAD drawings

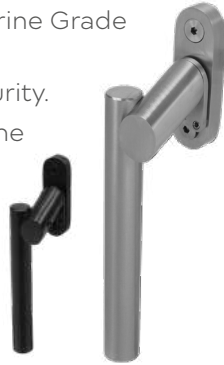


WINDOW ESPAGNOLETTE HANDLES

BLU™

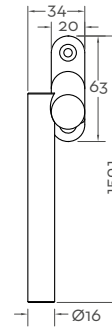
Contemporary Window Espagnolette Handle - Cranked

- Cranked angled handle design helps prevent handle stub from clashing on the frame.
- Made from solid 316 Marine Grade Stainless Steel.
- Lockable for added security.
- Sprung action to keep the lever in place.
- Durability: BS EN 1191:2012 - 10,000 cycles.
- PBK finish has been successfully salt spray tested to 1000 hours test: ASTM B117-2019.

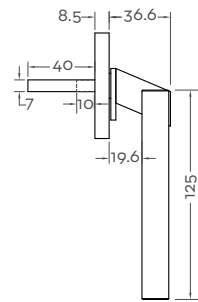


PART NUMBER	PRODUCT DESCRIPTION	FINISH	UNITS
SST87-40-LH-SSS	Contemporary lockable window espagnolette handle - cranked - 40mm spindle	SSS	Each
SST87-40-RH-SSS		SSS	Each
SST87-40-LH-PBK		PBK	Each
SST87-40-RH-PBK		PBK	Each
SST87-10-LH-SSS	Contemporary lockable window espagnolette handle - cranked - 10mm spindle	SSS	Each
SST87-10-RH-SSS		SSS	Each

Front Profile



Side Profile



Left hand shown

BLU™

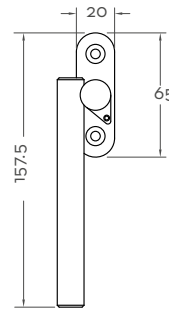
Contemporary Window Espagnolette Handle - Offset

- Offset handle design provides increased knuckle clearance for easy operation.
- Made from solid 316 Marine Grade Stainless Steel.
- Lockable for added security.
- Only suitable for use on a timber window.

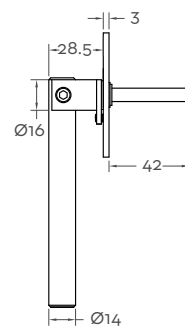


PART NUMBER	PRODUCT DESCRIPTION	FINISH	UNITS
SST81-LH-SSS	Contemporary lockable window espagnolette handle - offset	SSS	Each
SST81-RH-SSS		SSS	Each

Front Profile



Side Profile



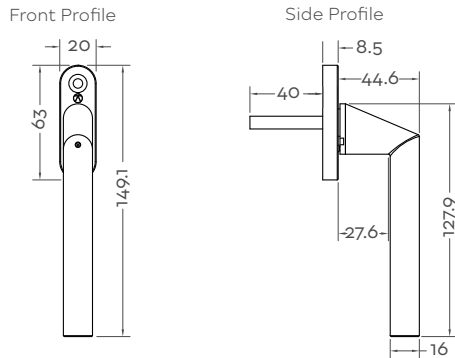
Left hand shown

For handing information see page 219.



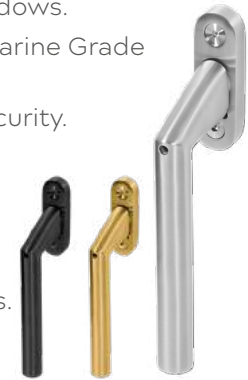
PART NUMBER	PRODUCT DESCRIPTION	FINISH	UNITS
SST100-SSS	Inline angled lockable window espagnolette handle	SSS	Each
SST100-PSB*		PSB	Each
SST100-PBK		PBK	Each

* Available Q4 2023

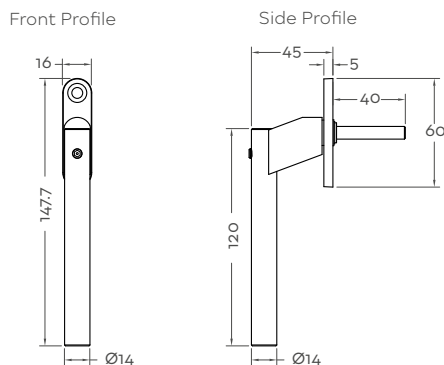


BLU™ Contemporary Window Espag Handle - Inline Angled

- Slim inline profile makes it ideal for slimline casement windows.
- Made from solid 316 Marine Grade Stainless Steel.
- Lockable for added security.
- Sprung action to keep the lever in place.
- Universal handing.
- Durability: BS EN 1191:2012 - 10,000 cycles.
- PBK finish has been successfully salt spray tested to 1000 hours, test: ASTM B117-2019.



PART NUMBER	PRODUCT DESCRIPTION	FINISH	UNITS
SST94-SSS	Contemporary lockable window espagnolette handle - inline	SSS	Each
SST94-PBK		PBK	Each



BLU™ Contemporary Window Espag Handle - Inline

- Slim inline profile makes it ideal for slimline casement windows.
- Made from solid 316 Marine Grade Stainless Steel.
- Lockable for added security.
- Universal handing.
- Durability: BS EN 1191:2012 - 10,000 cycles.
- PBK finish has been successfully salt spray tested to 1000 hours, test: ASTM B117-2019.



Visit www.coastal-group.com for CAD drawings

Note: This window handle is designed for use on slim profiles such as used on aluminium, steel or uPVC windows. The stem could collide with the frame when used on some timber windows, please check the handle drawings for more details.

You may also need:



Espag Bolts
Page 196



Window Fittings & Accessories
Page 227

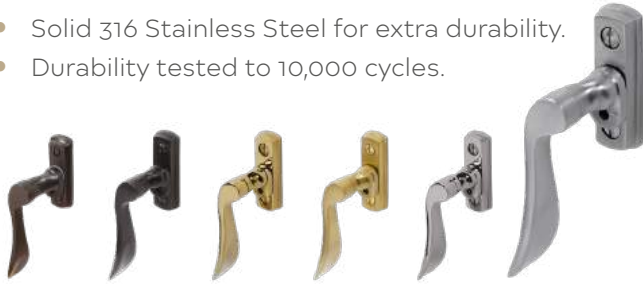


Friction Hinges
Page 200

BLU™

Regent Window Espagnolette Handle

- High quality, elegant window espag handle.
- Lockable for added security.
- Sprung action to keep the lever in place.
- PBK finish has been successfully salt spray tested to 1000 hours, test: ASTM B117-2019.
- Solid 316 Stainless Steel for extra durability.
- Durability tested to 10,000 cycles.

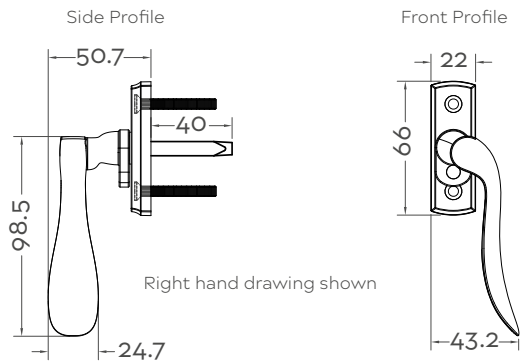


Suited door handle available. See page 14.



PART NUMBER	PRODUCT DESCRIPTION	FINISH	UNITS
REG020-LH-SSS	Regent lockable window espagnolette handle	SSS	Each
REG020-RH-SSS		SSS	Each
REG020-LH-PSS		PSS	Each
REG020-RH-PSS		PSS	Each
REG020-LH-PSB		PSB	Each
REG020-RH-PSB		PSB	Each
REG020-LH-PPB		PPB	Each
REG020-RH-PPB		PPB	Each
REG020-LH-PBK		PBK	Each
REG020-RH-PBK		PBK	Each
REG020-LH-ORB*	ORB	Each	
REG020-RH-ORB*	ORB	Each	

* ORB is a powder coated finish..

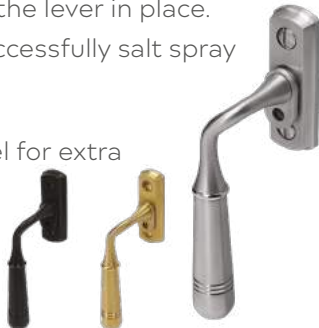


For up-to-date drawings of this product, visit www.coastal-group.com

BLU™

Opera Window Espagnolette Handle

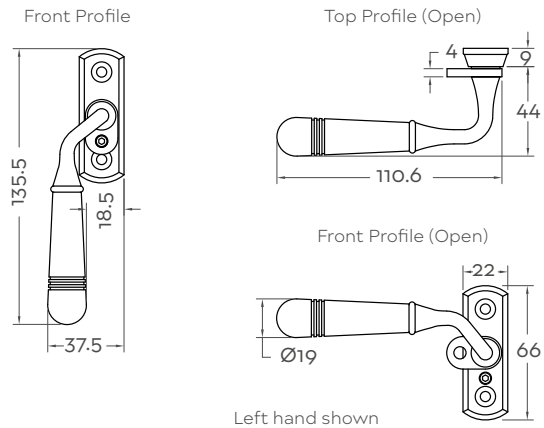
- High quality, classic style window espag handle.
- Lockable for added security.
- Sprung action to keep the lever in place.
- PBK finish has been successfully salt spray tested to 1000 hours, test: ASTM B117-2019.
- Solid 316 Stainless Steel for extra durability.



Suited door handles available. See page 15.



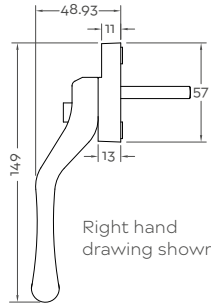
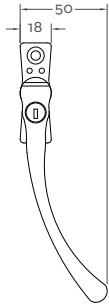
PART NUMBER	PRODUCT DESCRIPTION	FINISH	UNITS
TBH020-LH-SSS	Opera lockable window espagnolette handle	SSS	Each
TBH020-RH-SSS		SSS	Each
TBH020-LH-PSB		PSB	Each
TBH020-RH-PSB		PSB	Each
TBH020-LH-PBK		PBK	Each
TBH020-RH-PBK		PBK	Each



For handing information see page 219.

PART NUMBER	PRODUCT DESCRIPTION	FINISH	UNITS
CO8473-LH-TMB	Black Bulb End design window espag handle	TMB	Each
CO8473-RH-TMB		TMB	Each

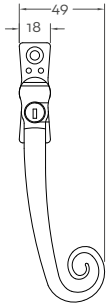
Front Profile



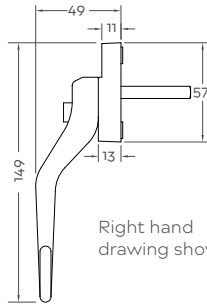
Right hand drawing shown

PART NUMBER	PRODUCT DESCRIPTION	FINISH	UNITS
CO8477-LH-TMB	Black Antique Curly Tail espagnolette window handle.	TMB	Each
CO8477-RH-TMB		TMB	Each

Front Profile



Side Profile



Right hand drawing shown

PART NUMBER	PRODUCT DESCRIPTION	FINISH	UNITS
PER50-LH-SC	Pera MK2 bulb end window espagnolette	SC	Each
PER50-RH-SC		SC	Each
PER50-LH-PC		PC	Each
PER50-RH-PC		PC	Each
PER50-LH-SB		SB	Each
PER50-RH-SB		SB	Each
PER50-LH-BP		BP	Each
PER50-RH-BP		BP	Each
PER50-LH-BK		BK	Each
PER50-RH-BK		BK	Each
PER50-LH-ORZ		ORZ	Each
PER50-RH-ORZ		ORZ	Each
PER50-LH-ABR*		ABR	Each
PER50-RH-ABR*		ABR	Each

*Available Q4 2023

Antique Bulb End Design Window Espag Handle

- Antique Bulb End design window espag handle
- Push button to operate, key to deadlock for added security.
- Faux screw cover cap to help retain traditional heritage look.
- Tested to PAS24 for enhanced security
- Tested to 50,000 cycles for durability
- Salt spray tested to 480 hours for corrosion resistance.
- 10 year Mechanical Guarantee.
- 10 year Surface Finish Guarantee.



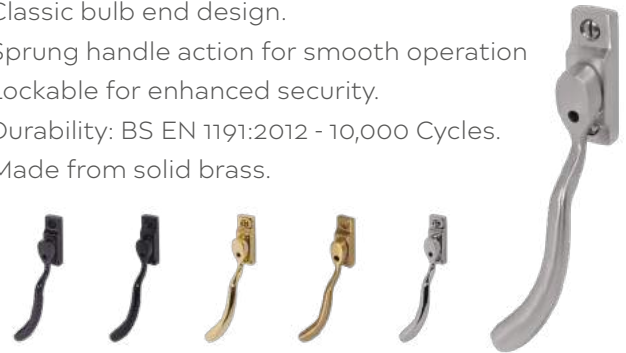
Antique Curly Tail Espag Handles

- Antique Curly Tail design window espag handle
- Push button to operate, key to deadlock for added security.
- Faux screw cover cap to help retain traditional heritage look.
- Tested to PAS24 for enhanced security.
- Tested to 50,000 cycles for durability.
- Salt spray tested to 480 hours for corrosion resistance.
- 10 year Mechanical Guarantee.
- 10 year Surface Finish Guarantee.

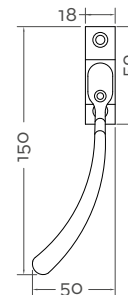


GLACE™ Bulb End Window Espagnolette Handle

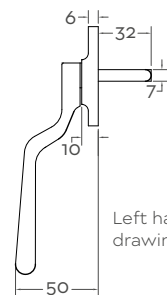
- Classic bulb end design.
- Sprung handle action for smooth operation
- Lockable for enhanced security.
- Durability: BS EN 1191:2012 - 10,000 Cycles.
- Made from solid brass.



Front Profile



Side Profile



Left hand drawing shown

For handing information see page 219.

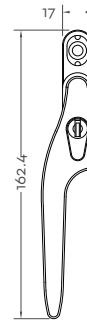
Locking Window Espagnolette Handle - Offset

- Ergonomically designed for comfort.
- Cranked to suit left & right handed windows.
- A positive stop to ensure an accurate inline closure.
- Key lockable with a push button to unlatch.
- Fixing screws are not supplied with this handle - use code: FX-310-100-USS (box 100)
- FX-CAP-EH10-NL-BK pushes into keyhole to convert handle to non-locking for egress applications.

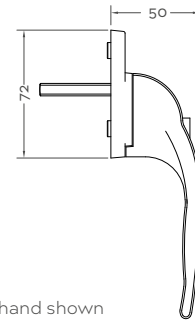


PART NUMBER	PRODUCT DESCRIPTION	FINISH	UNITS
EH10L-LH-SC	Locking window handle	SC	Each
EH10L-RH-SC		SC	Each
EH10L-LH-CP		CP	Each
EH10L-RH-CP		CP	Each
EH10L-LH-PB		PB	Each
EH10L-RH-PB		PB	Each
EH10L-LH-BK		BK	Each
EH10L-RH-BK		BK	Each
EH10L-LH-WH		WH	Each
EH10L-RH-WH		WH	Each

Front Profile



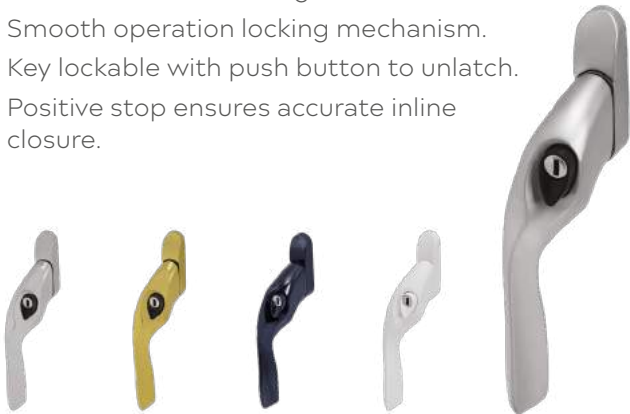
Side Profile



Left hand shown

Kuhlen Locking Window Espagnolette Handle

- Stylish & ergonomically designed for comfort.
- Cranked to suit left & right handed windows.
- Smooth operation locking mechanism.
- Key lockable with push button to unlatch.
- Positive stop ensures accurate inline closure.

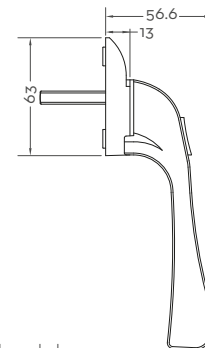


PART NUMBER	PRODUCT DESCRIPTION	FINISH	UNITS
EH20L-LH-SC	Kuhlen Locking window handle	SC	Each
EH20L-RH-SC		SC	Each
EH20L-LH-CP		CP	Each
EH20L-RH-CP		CP	Each
EH20L-LH-PB		PB	Each
EH20L-RH-PB		PB	Each
EH20L-LH-BK		BK	Each
EH20L-RH-BK		BK	Each
EH20L-LH-WH		WH	Each
EH20L-RH-WH		WH	Each

Front Profile



Side Profile



Left hand shown

Matching door handle available. See page 21.



Visit www.coastal-group.com for CAD drawings

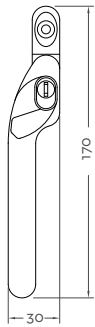
PART NUMBER	PRODUCT DESCRIPTION	FINISH	UNITS
CS168L-LH-HS	Connoisseur offset window espag handle	HS	Each
CS168L-RH-HS		HS	Each
CS168L-LH-HC		HC	Each
CS168L-RH-HC		HC	Each
CS168L-LH-HG		HG	Each
CS168L-RH-HG		HG	Each
CS168L-LH-BK		BK	Each
CS168L-RH-BK		BK	Each

Connoisseur Offset Locking Window Handle

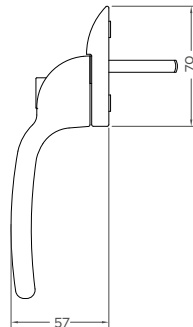
- Heavy duty sprung latch creates a positive click ensuring accurate inline closure.
- Key lockable with push button to unlatch.
- All finishes meet the requirements of BS EN 1670:2007 Grade 5 (480 hours) for corrosion resistance.
- Tested in excess of 50,000 cycles.



Front Profile

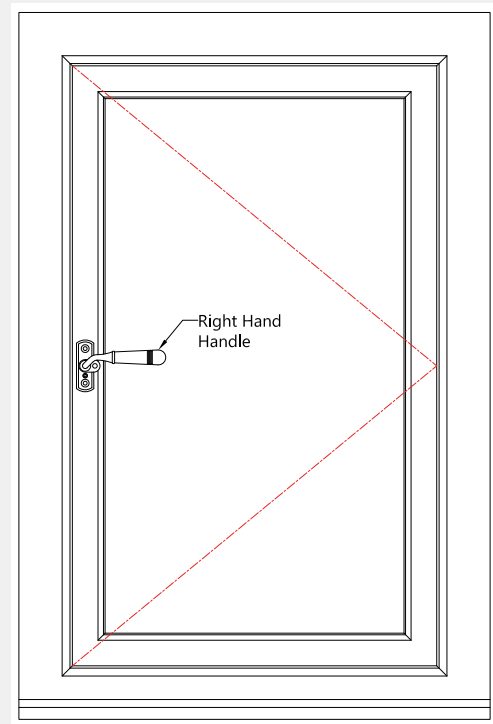


Side Profile



Left hand shown

Window Espag Handle Handing



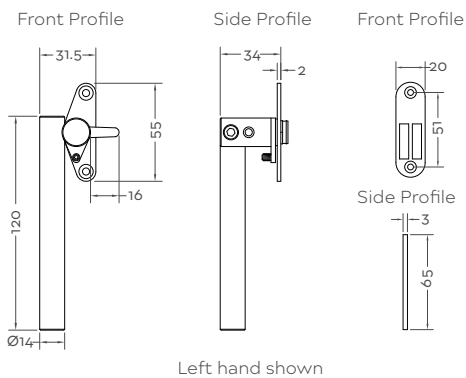
Inside the Property

The handle required for the 'Left Hand' hinged window as viewed outside drawn above is a 'Right Hand' handle. Handles are handed looking at the window from inside the property - the hand you would typically use to open the window.



CASEMENT WINDOW STAYS AND FASTENERS

PART NUMBER	PRODUCT DESCRIPTION	FINISH	UNITS
SST79-LH-M-SSS	Mortice plate casement fastener	SSS	Each
SST79-RH-M-SSS		SSS	Each



Stainless Steel Casement Window Fastener

- Supplied with night vent mortice keep plate suitable for 5mm weatherseal compression gap.
- Lockable for increased security.
- Manufactured from 304 Grade Stainless Steel.
- Hook plates available if required - use code: SST-HP-SSS

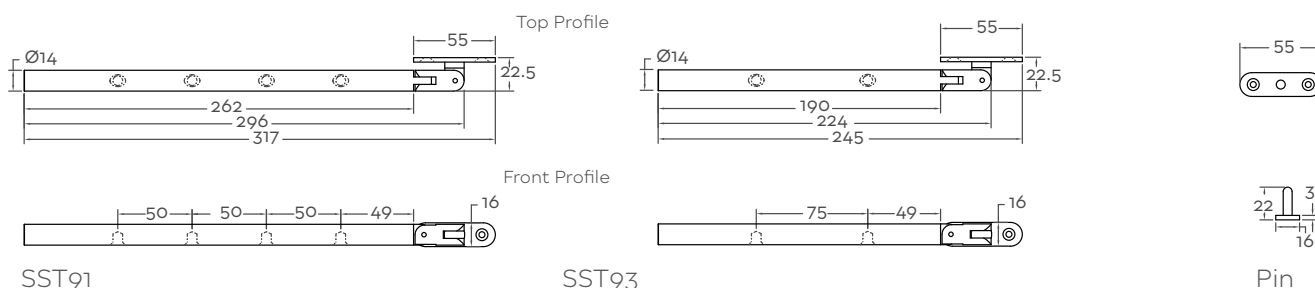


PART NUMBER	PRODUCT DESCRIPTION	FINISH	UNITS
SST91-SSS	290mm Casement stay	SSS	Each
SST93-SSS	220mm Casement stay	SSS	Each
SST91-93-STAY-PIN-SSS	Spare pin for SST91 or SST93 stay	SSS	Each



BLU™ Contemporary Casement Window Stay

- Sleek, contemporary styled casement stay to suit both modern and classic designs.
- Made from solid 316 Stainless Steel for extra durability.
- Ideal for use where corrosion levels are high such as coastal environments and with acidic timber.
- Supplied with pin and rest.



You may also need:



Weatherseal
Page 246



Bolts & Accessories
Page 128



Window Hinges
Page 208

GLACE™

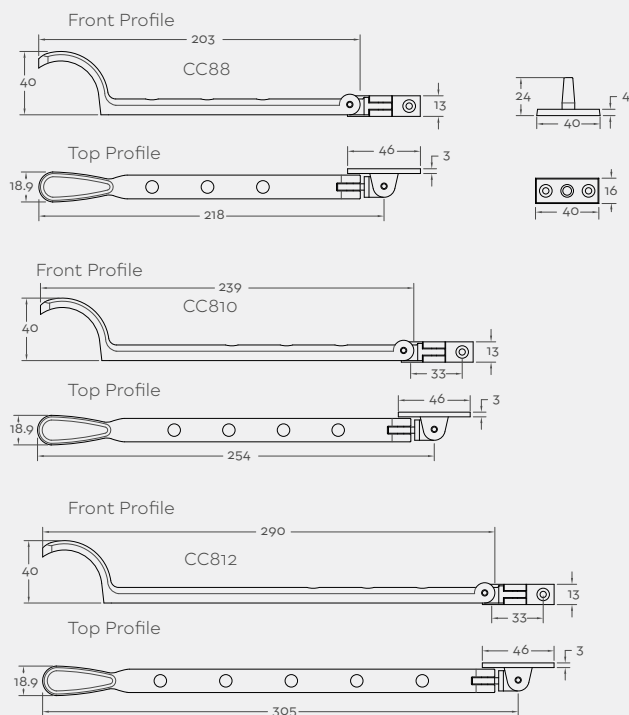
Traditional Spoon End Casement Window Stay

- Supplied with stay pins.
- Part of a suited range with matching window fastener.
- Manufactured from solid brass



PART NUMBER	PRODUCT DESCRIPTION	FINISH	UNITS
CC88-SC	Spoon end 8" casement stay	SC	Each
CC88-PC		PC	Each
CC88-SB*		SB	Each
CC88-BP		BP	Each
CC88-SBK		SBK	Each
CC88-ABR*		ABR	Each
CC810-SC	Spoon end 10" casement stay	SC	Each
CC810-PC		PC	Each
CC810-SB*		SB	Each
CC810-BP		BP	Each
CC810-SBK		SBK	Each
CC810-ABR*		ABR	Each
CC812-SC	Spoon end 12" casement stay	SC	Each
CC812-PC		PC	Each
CC812-SB*		SB	Each
CC812-BP		BP	Each
CC812-SBK		SBK	Each
CC812-ABR*		ABR	Each

*Available Q4 2023



GLACE™

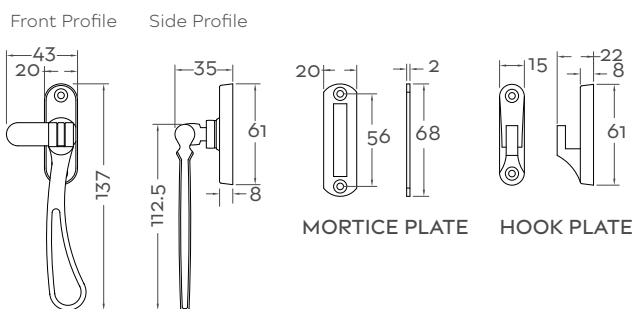
Traditional Spoon End Window Fastener

- Supplied with mortice and hook keep plates.
- Manufactured from solid brass.



PART NUMBER	PRODUCT DESCRIPTION	FINISH	UNITS
CC8-SC	Spoon end casement fastener	SC	Each
CC8-PC		PC	Each
CC8-BP		BP	Each

*Available Q4 2023

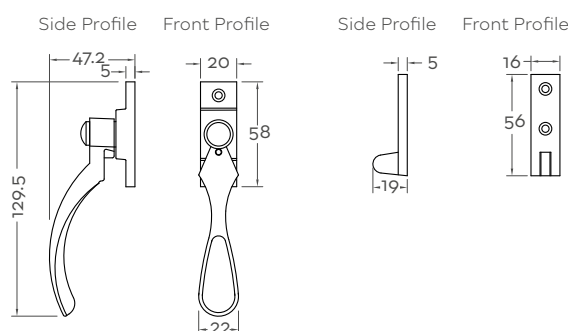


Traditional Spoon End Pattern Window Fastener

- Lockable for increased security
- Supplied with keep plate
- Manufactured from solid brass.



PART NUMBER	PRODUCT DESCRIPTION	FINISH	UNITS
CC22L-SC	Spoon end wedge fastener	SC	Each
CC22L-PC		PC	Each
CC22L-BP		BP	Each



GLACE™

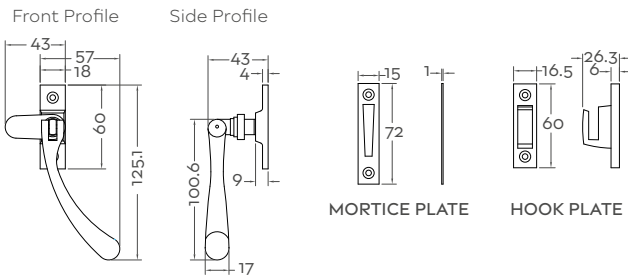
Traditional Bulb End Window Fastener

- Supplied with mortice and hook keep plates.
- Manufactured from solid brass.



PART NUMBER	PRODUCT DESCRIPTION	FINISH	UNITS
CC4-SC	Bulb End casement window fastener	SC	Each
CC4-PC		PC	Each
CC4-SB*		SB	Each
CC4-BP		BP	Each
CC4-SBK*		SBK	Each
CC4-ABR*		ABR	Each

*Available Q4 2023

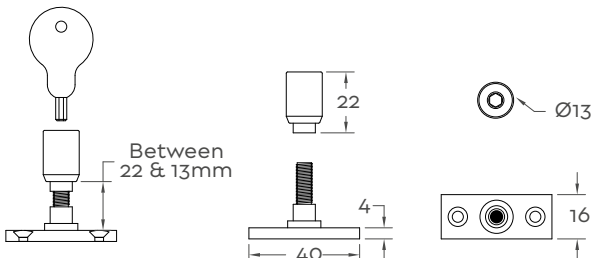


Locking Stay Pins

- Easy to operate locking traditional casement stay pin with key.
- Adds an extra layer of security to your home.
- Suitable for use with the Spoon End or Bulb End casement window stays.



PART NUMBER	PRODUCT DESCRIPTION	FINISH	UNITS
CC20-SC	Locking pin for casement stay	SC	Each
CC20-CP		CP	Each
CC20-PB		PB	Each



GLACE™

Traditional Bulb End Casement Window Stay

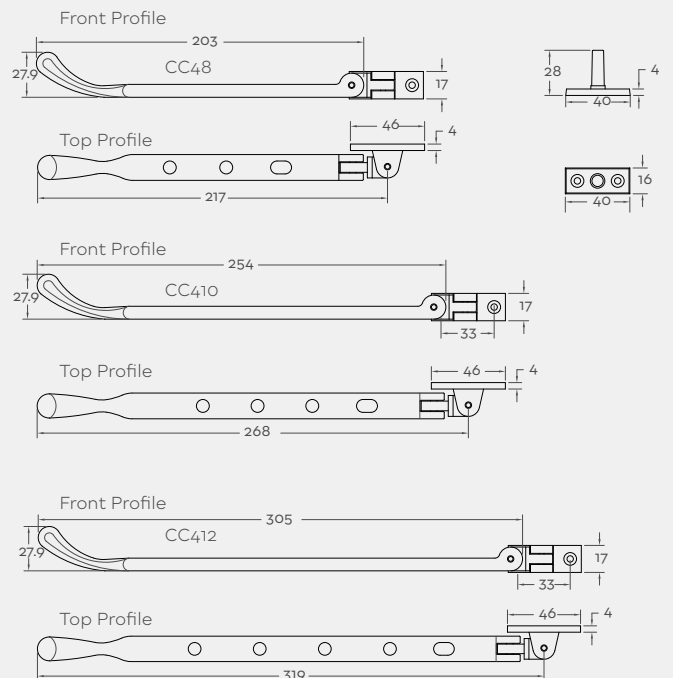
- Supplied with stay pins.
- Part of a suited range with matching window fastener.
- Manufactured from solid brass.



CC412 shown

PART NUMBER	PRODUCT DESCRIPTION	FINISH	UNITS
CC48-SC	Bulb end 8" casement stay	SC	Each
CC48-PC		PC	Each
CC48-SB		SB	Each
CC48-BP		BP	Each
CC48-SBK		SBK	Each
CC48-ABR*	ABR	Each	
CC410-SC	Bulb end 10" casement stay	SC	Each
CC410-PC		PC	Each
CC410-SB		SB	Each
CC410-BP		BP	Each
CC410-SBK		SBK	Each
CC410-ABR*	ABR	Each	
CC412-SC	Bulb end 12" casement stay	SC	Each
CC412-PC		PC	Each
CC412-SB		SB	Each
CC412-BP		BP	Each
CC412-SBK		SBK	Each
CC412-ABR*		ABR	Each

*Available Q4 2023

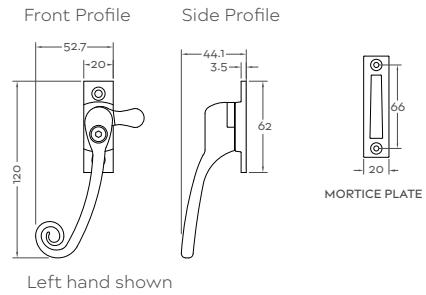


Antique Curly Tail Casement Window Fastener

- Lockable for increased security.
- Supplied with mortice plate keep.



PART NUMBER	PRODUCT DESCRIPTION	FINISH	UNITS
CO8439-MP-LH-BA	Antique curly tail casement window fastener	BA	Each
CO8439-MP-RH-BA		BA	Each

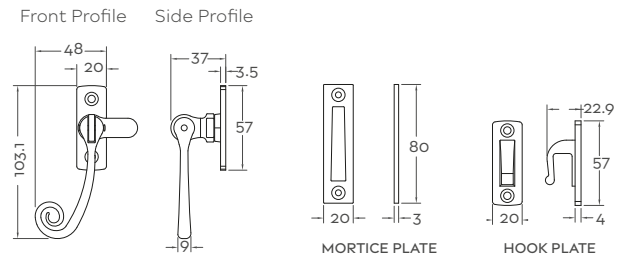


Antique Universal Curly Tail Window Fastener

- Supplied with mortice and hook plate keeps.
- Universal handing.
- Not suitable for windows with draft seals.



PART NUMBER	PRODUCT DESCRIPTION	FINISH	UNITS
CO84501-BA	Universal antique curly tail casement window fastener	BA	Each

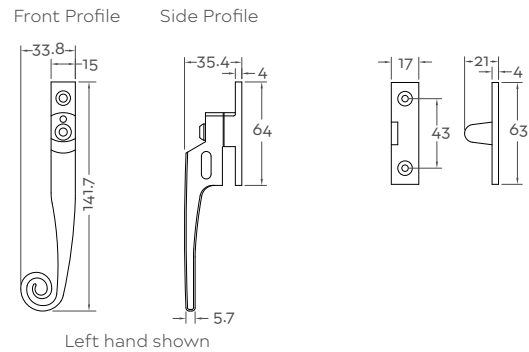


Antique Curly Tail Wedge Pattern Casement Window Fastener

- Lockable for increased security.
- Supplied with keep plate and night vent option.
- Popular option which is quick to fit.



PART NUMBER	PRODUCT DESCRIPTION	FINISH	UNITS
CO8480-LH-BA	Curly tail wedge casement window fastener	BA	Each
CO8480-RH-BA		BA	Each

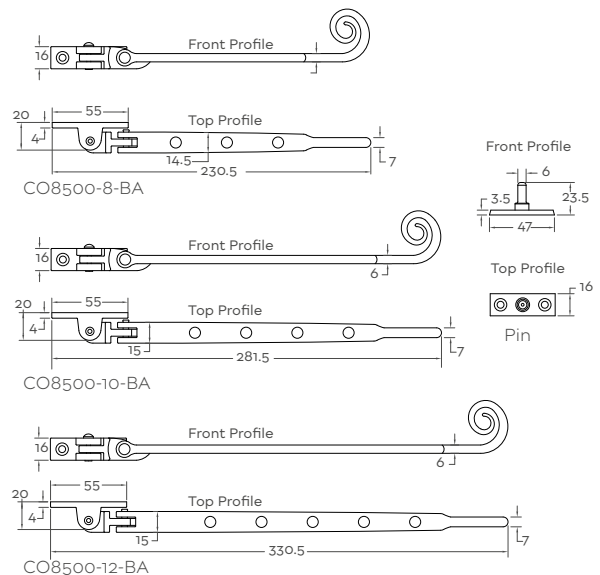


Antique Curly Tail Casement Window Stay

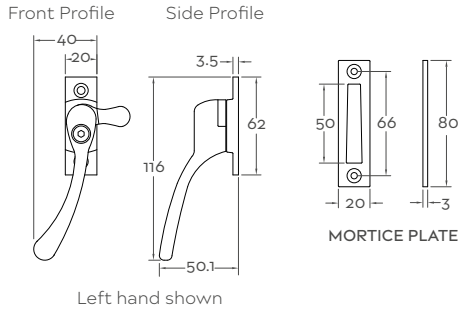
- Supplied with pin.



PART NUMBER	PRODUCT DESCRIPTION	FINISH	UNITS
CO8500-8-BA	Curly Tail 8" casement stay	BA	Each
CO8500-10-BA	Curly Tail 10" casement stay	BA	Each
CO8500-12-BA	Curly Tail 12" casement stay	BA	Each



PART NUMBER	PRODUCT DESCRIPTION	FINISH	UNITS
CO8441-MP-LH-BA	Lockable bulb end fastener	BA	Each
CO8441-MP-RH-BA		BA	Each

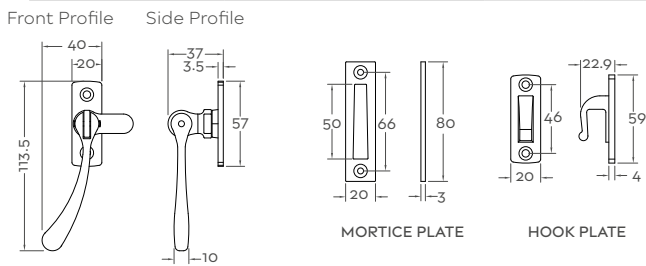


Antique Universal Bulb End Casement Window Fastener

- Lockable for increased security.
- Supplied with mortice plate keep.

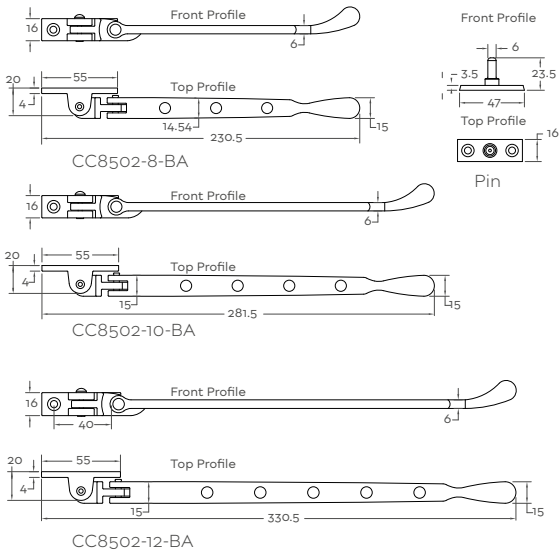


PART NUMBER	PRODUCT DESCRIPTION	FINISH	UNITS
CO8503-BA	Bulb end fastener (MP & HP)	BA	Each



Antique Bulb End Casement Window Fastener

- Supplied with mortice and hook plate keep.
- Universal handing.
- Not suitable for windows with draft seals.



Antique Bulb End Casement Window Stay

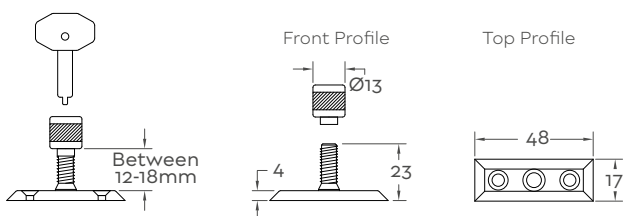
- Supplied with pin.



CC8502-12 shown

PART NUMBER	PRODUCT DESCRIPTION	FINISH	UNITS
CO8502-8-BA	Bulb end 8" casement stay	BA	Each
CO8502-10-BA	Bulb end 10" casement stay	BA	Each
CO8502-12-BA	Bulb end 12" casement stay	BA	Each

PART NUMBER	PRODUCT DESCRIPTION	FINISH	UNITS
BA116-MSB	Locking pin for antique casement stay	MSB	Each



Locking Stay Pins

- Easy to operate locking antique casement stay pin with key.
- Adds an extra layer of security to your home.
- Suitable for use with the CO8500 and CO8502 Antique casement stays.



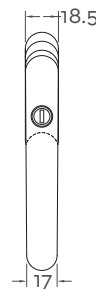
Craftsman Locking Window Fastener

- Solid die cast construction.
- Key lockable.
- All finishes meet the requirements of BS EN 1670:2007 Grade 5 (480 hours) for Corrosion Resistance.
- Tested in excess of 50,000 cycles.

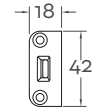


PART NUMBER	PRODUCT DESCRIPTION	FINISH	UNITS
CR133-FAST-HS	Craftsman locking window fastener	HS	Each
CR133-FAST-HC		HC	Each
CR133-FAST-HG		HG	Each
CR133-FAST-BA		BA	Each

Front Profile



Side Profile



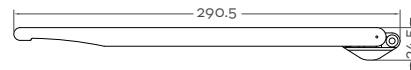
Craftsman Non-Locking Window Stay

- Solid die cast construction.
- Supplied with stay pin and rest.
- All finishes meet the requirements of BS EN 1670:2007 Grade 5 (480 hours) for corrosion resistance.
- Tested in excess of 50,000 cycles.

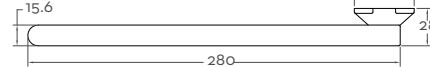


PART NUMBER	PRODUCT DESCRIPTION	FINISH	UNITS
CR280-STAY-HS	280mm Craftsman non-locking window stay	HS	Each
CR280-STAY-HC		HC	Each
CR280-STAY-HG		HG	Each
CR280-STAY-BA		BA	Each

Front Profile



Top Profile



ANGLE PIN



FLAT PIN



REST



COASTAL'S DOCUMENT Q APPROVAL SCHEME

Don't lose out by not being able to supply Part Q certified doors and windows.

Achieving Part Q Certification for your doors and windows can be very expensive and time consuming, but not when you use Coastal's Part Q Scheme.

We're here to help you comply and supply Part Q certified doors and windows using our cascaded certification.

SCAN QR code for more information.



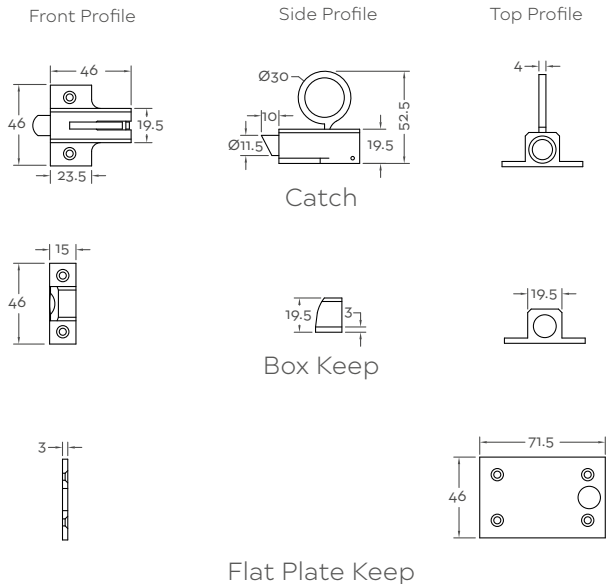


WINDOW FITTINGS & ACCESSORIES

BLU™ Fanlight Catch



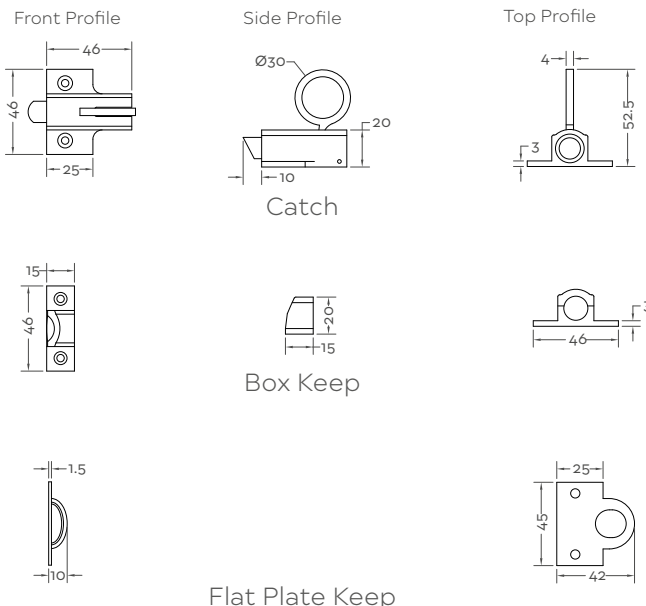
- High quality sprung fanlight catch, mainly for use on bottom hung casement windows.
- Manufactured from solid 316 Marine Grade Stainless Steel.
- Ideal for use where corrosion levels are high such as coastal environments and with acidic timber.
- Smooth sprung action loop enables high level windows to be reached with a pole hook.
- Contains an extended bolt to suit radius or arched windows.



PART NUMBER	PRODUCT DESCRIPTION	FINISH	UNITS
BFC45-SSS	Fanlight catch, flat plate keep & box keep	SSS	Each

Fanlight Catch

- Sprung fanlight catch, mainly for use on bottom hung casement windows.
- Sprung loop enables high level windows to be reached with a pole hook.
- Manufactured from solid brass.
- Supplied with flat striker plate, box keep and matching screws.



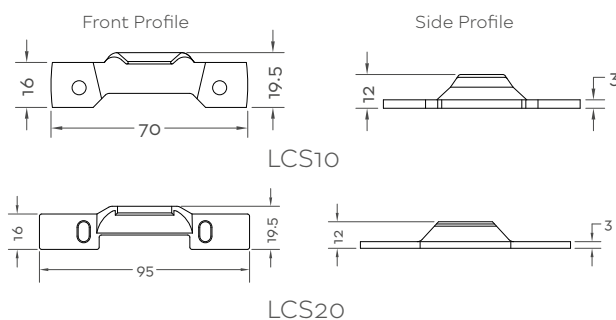
PART NUMBER	PRODUCT DESCRIPTION	FINISH	UNITS
DK42-BP	Fanlight catch	BP	Each

Locking Claws

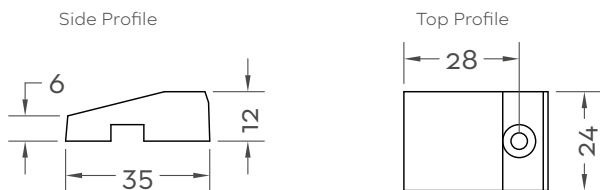
- Locking claw hinge protector is for use on the hinge side of your casement windows.
- Simple to fit device which makes your window more secure.
- Secured by Design approved.
- Successfully used on our HPF Window PAS24 : 2022 test.
- Can be used with friction hinges, including egress and restrictor type hinges.



PART NUMBER	PRODUCT DESCRIPTION	FINISH	UNITS
LCS10-SV	70mm Locking claw	SV	Each
LCS20-SV	95mm Locking claw set	SV	Set



PART NUMBER	PRODUCT DESCRIPTION	FINISH	UNITS
RUB12-WH	12mm Run up block	WH	Each
RUB12-BR		BR	Each

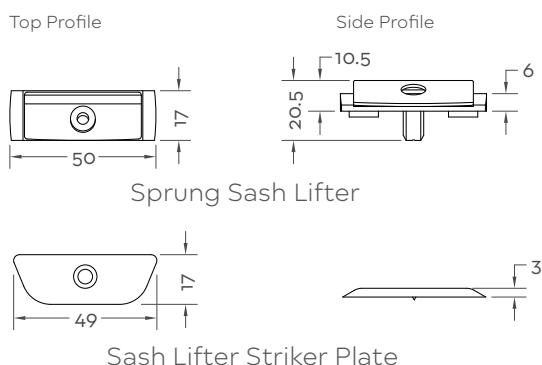


Sash Run Up Block

- Sash run up blocks are screwed into the frame with the slope facing the opening light or sash.
- If fitted to the base or sides of the window frame the run up blocks help with vertical alignment of the sash upon closing the stormproof window.
- When fitted to the top or head of the frame the run up blocks act as an anti-lift block for increased security.



PART NUMBER	PRODUCT DESCRIPTION	FINISH	UNITS
RUB18-BK	Sprung run up sash lifter	BK	Set

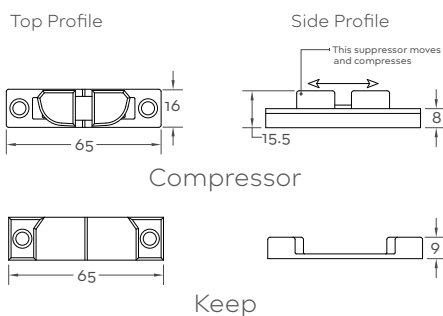


Sprung Run Up Sash Lifter

- Sprung run up sash lifter set is used on stormproof windows to lift the sash by up to 6mm when closed.
- Particularly required on heavy windows.
- Optimises the air gap in the closed or locked position.
- Ideal for use on Tilt and Turn windows.
- Set consists of striker plate for frame and sash lifter.



PART NUMBER	PRODUCT DESCRIPTION	FINISH	UNITS
SC65-SV	Sash compressor and keep set	SV	Each

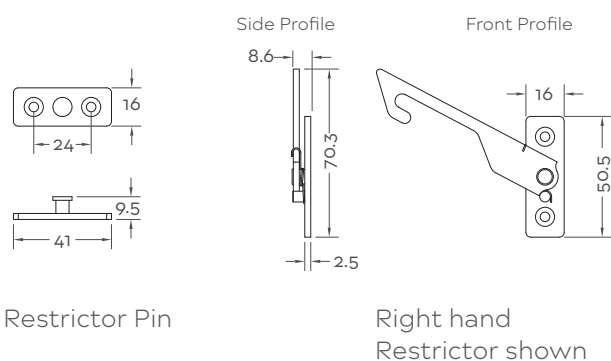


Sash Compressor and Keep Set

- Fitted to large top hung sashes.
- Provides additional compression along the sides of the window.
- A low cost alternative to wrap around gear.
- Allows the sash to still be locked in night vent position.
- Fits into the same eurogrooves as the friction hinges.



PART NUMBER	PRODUCT DESCRIPTION	FINISH	UNITS
RCIL-LH-KIT-ASS	Restrictor - LH concealed	ASS	Set
RCIR-RH-KIT-ASS	Restrictor - RH concealed	ASS	Set



Euro Groove Window Restrictor

- Sprung loaded cavity for euro groove window restrictor.
- Suited for a 13mm cavity.
- Easy to fit with standard countersunk fixings and no additional routing required.
- Tested to BS 6375-2:2009 and to withstand a force of 600N when opened at restricted position.
- Handed as viewed from the inside.
- Manufactured from Austenitic Stainless Steel.





SLIDING SASH HARDWARE

GLACE™

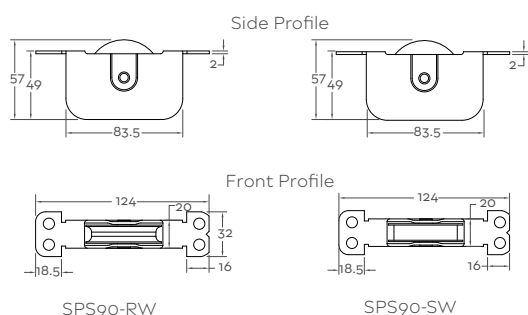
GLACE™ is our range of hardware made from solid brass. Using the latest manufacturing technologies, this hardware range features classic styling combined with quality.

The GLACE™ Hardware Range is forged to ensure consistent and accurate fixing points every time.



SLIDING SASH HARDWARE

PART NUMBER	PRODUCT DESCRIPTION	FINISH	UNITS
SPS90-RW-CP	Heavy duty rope pulley - round groove wheel	CP	Each
SPS90-RW-SB		SB	Each
SPS90-SW-CP	Heavy duty chain pulley - square groove wheel	CP	Each
SPS90-SW-SB		SB	Each

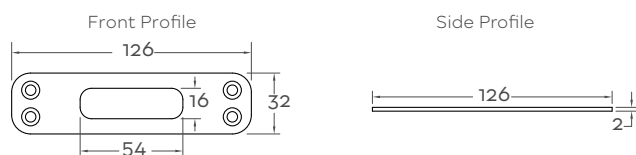


GLACE™ Heavy Duty Sash Pulley

- High performance, heavy duty 50mm (2") sash pulley.
- Solid brass wheel with smooth rolling operation.
- 100kg weight capacity.
- Round groove version for use with sash cord or rope.
- Square groove version for use with a sash chain.
- Use with the SPS90P pulley cover plate and the SPS90B pulley bumper.



PART NUMBER	PRODUCT DESCRIPTION	FINISH	UNITS
SPS90P-BP	Sash pulley cover plate	BP	Each
SPS90P-SC		SC	Each
SPS90P-PC		PC	Each
SPS90P-ORZ		ORZ	Each
SPS90P-ABR		ABR	Each
SPS90P-AP		AP	Each



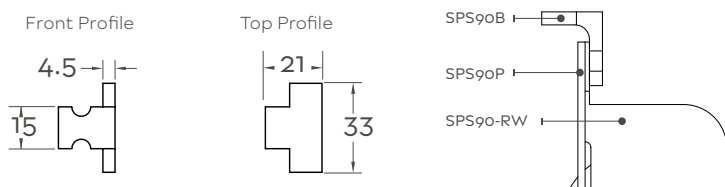
GLACE™ Heavy Duty Sash Pulley Cover Plate

- High quality 2" sash pulley cover plate for SPS90 sash pulley.
- Works with both the round and square groove pulley wheel.
- Supplied with fixing screws.



PART NUMBER	PRODUCT DESCRIPTION	FINISH	UNITS
SPS90B-SB	Sash pulley bumper	SB	Each
SPS90B-PC		PC	Each
SPS90B-ABR*		ABR	Each
SPS90B-ORZ		ORZ	Each

*Available Q4 2023



GLACE™ Heavy Duty Sash Pulley Bumper

- Sash pulley bumper for use with the SPS90 Sash Pulley.
- The bumper fits behind the pulley wheel to stop the sash from hitting the head when opened.



GLACE™ Ball Bearing Sash Pulley

- High quality 44.5mm (1 3/4") ball bearing sash pulley.
- High quality ball bearings provide a smooth rolling operation.
- 75kg weight capacity.
- Available with square or radius ends.
- Successfully used in our Part Q Test.



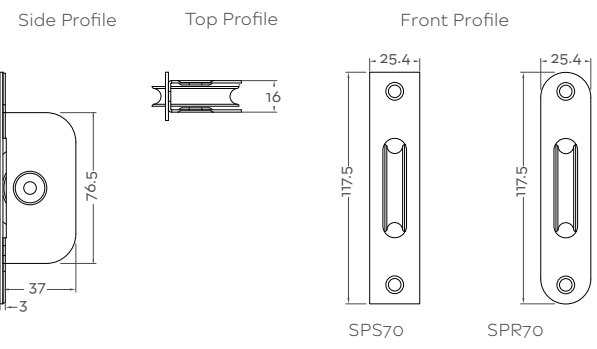
SPS70



SPR70

PART NUMBER	PRODUCT DESCRIPTION	FINISH	UNITS
SPR70-SC	Ball bearing pulley - Radius end	SC	Each
SPR70-PC		PC	Each
SPR70-SB		SB	Each
SPR70-BP		BP	Each
SPR70-ORZ		ORZ	Each
SPR70-ABR*		ABR	Each
SPS70-SC	Ball bearing pulley - Square end	SC	Each
SPS70-PC		PC	Each
SPS70-SB		SB	Each
SPS70-PB		PB	Each
SPS70-ORZ		ORZ	Each
SPS70-ABR*		ABR	Each

*Available Q4 2023

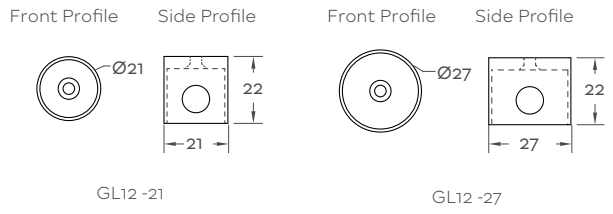


GLACE™ Cord Keeper

- Cord keeper fits to the side of the sash allowing the cord to pass through it.
- Cord then tied with a knot to make it secure.



PART NUMBER	PRODUCT DESCRIPTION	FINISH	UNITS
GL12-21-SB	GLACE Cord keeper - 21mm	SB	Each
GL12-27-SB	GLACE Cord keeper - 27mm	SB	Each



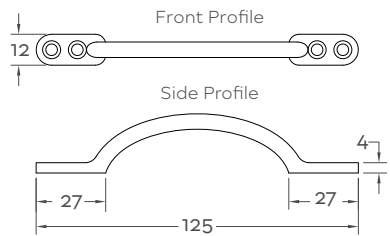
GLACE™ Sash 'D' Handle

- Two are usually fitted to the bottom sash rail allowing you to open or close the sash easily.



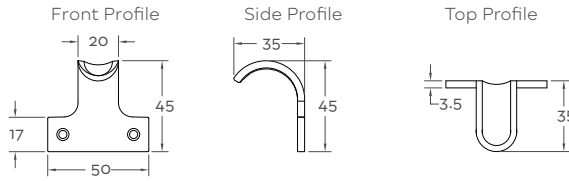
PART NUMBER	PRODUCT DESCRIPTION	FINISH	UNITS
SH125-SC*	132mm Sash handle	SC	Each
SH125-PC*		PC	Each
SH125-SB*		SB	Each
SH125-BP*		BP	Each
SH125-ORB*		ORZ	Each
SH125-ABR*		ABR	Each

*Available Q4 2023

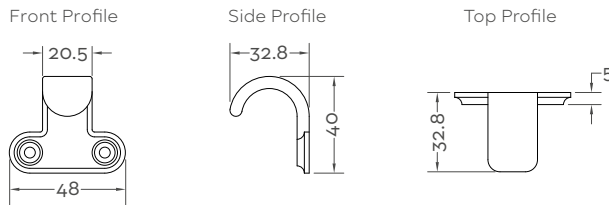


PART NUMBER	PRODUCT DESCRIPTION	FINISH	UNITS
GL50-SC	Architectural sash lift	SC	Each
GL50-PC		PC	Each
GL50-SB		SB	Each
GL50-BP		BP	Each
GL50-ORZ		ORZ	Each
GL50-ABR*		ABR	Each

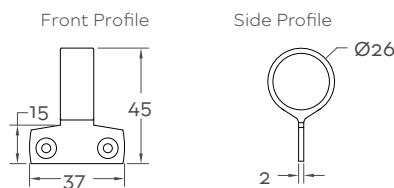
*Available Q4 2023



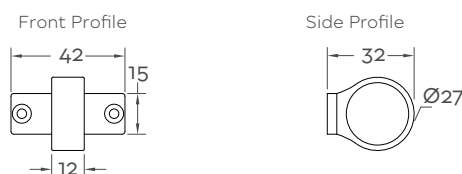
PART NUMBER	PRODUCT DESCRIPTION	FINISH	UNITS
SL100-SC	Pressed Sash Lift	SC	Each
SL100-CP		CP	Each
SL100-PB		PB	Each



PART NUMBER	PRODUCT DESCRIPTION	FINISH	UNITS
GL10-SC	Sash ring - side plate fix	SC	Each
GL10-PC		PC	Each
GL10-BP		BP	Each
GL10-ORZ		ORZ	Each

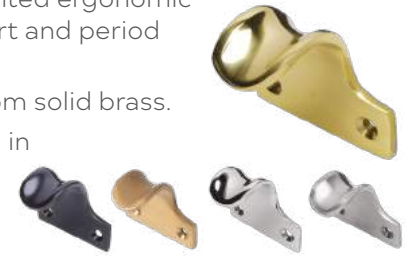


PART NUMBER	PRODUCT DESCRIPTION	FINISH	UNITS
GL20-SC	Sash ring - base plate fix	SC	Each
GL20-PC		PC	Each
GL20-BP		BP	Each
GL20-ORZ		ORZ	Each



GLACE™ Sash Lift

- High quality sash lift for vertical sliding box sash windows.
- Fitted to the bottom rail of the sash to lift the window up.
- Features an indented ergonomic design for comfort and period styling.
- Manufactured from solid brass.
- Successfully used in ourPart Q Test.



Pressed Sash Lift

- Sash lift for vertical sliding box sash windows.
- Fitted to the bottom rail of the sash to lift the window up.
- Meets the requirements of BS EN 1670:2007 Grade 5 Corrosion Resistance (480 hours).



GLACE™ Sash Ring - Side Plate Fix

- High quality sash ring pull for Georgian vertical sliding box sash windows.
- Side plate fix version for top rail of bottom sash.



GLACE™ Sash Ring - Base Plate Fix

- High quality sash ring pull for Georgian vertical sliding box sash windows.
- Base plate fix version is ideal for lifting larger, heavier sashes.



GLACE™

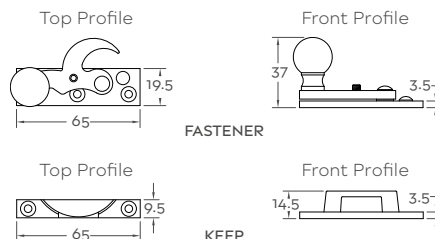
Standard Claw Fastener

- High quality Claw Fastener for sliding sash windows.
- Lockable for enhanced security.
- A more decorative alternative to the Fitch Fastener.
- Designed to pull the top and bottom meeting rails together.



PART NUMBER	PRODUCT DESCRIPTION	FINISH	UNITS
GL40-SC	Standard lockable claw fastener	SC	Each
GL40-PC		PC	Each
GL40-SB		SB	Each
GL40-BP		BP	Each
GL40-ORZ		ORZ	Each
GL40-ABR*		ABR	Each

*Available Q4 2023



GLACE™

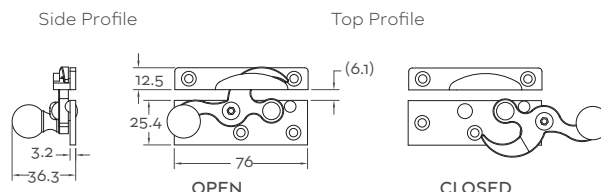
Security Claw Fastener

- High quality security Claw Fastener for sliding sash windows.
- A high security version successfully PAS24 Approved and used on our Part Q Test.
- Lockable for enhanced security.
- A more decorative alternative to the Fitch Fastener.
- Designed to pull the top and bottom meeting rails together.



PART NUMBER	PRODUCT DESCRIPTION	FINISH	UNITS
GL45-SC	Security lockable claw fastener	SC	Each
GL45-PC		PC	Each
GL45-SB		SB	Each
GL45-BP		BP	Each
GL45-ORZ		ORZ	Each
GL45-ABR*		ABR	Each

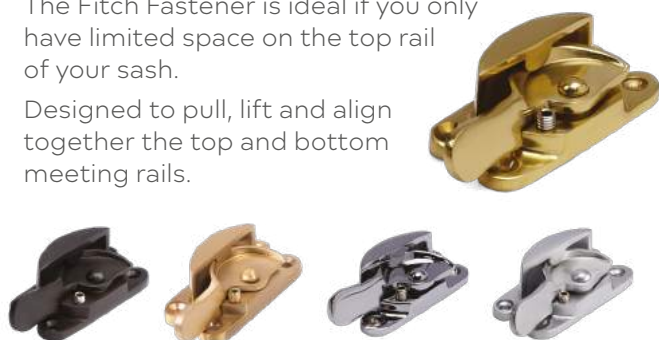
*Available Q4 2023



GLACE™

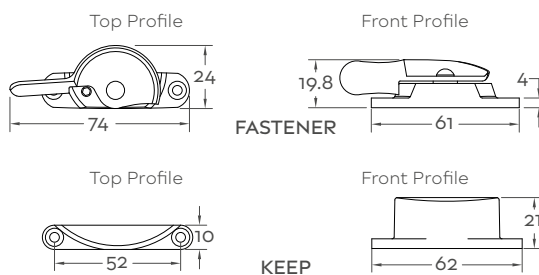
Fitch Type Sash Fastener

- High quality Fitch Fastener for sliding sash windows.
- Lockable for enhanced security.
- The Fitch Fastener is ideal if you only have limited space on the top rail of your sash.
- Designed to pull, lift and align together the top and bottom meeting rails.



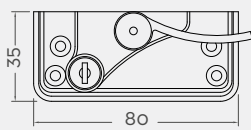
PART NUMBER	PRODUCT DESCRIPTION	FINISH	UNITS
GL60L-SC	Lockable fitch fastener	SC	Each
GL60L-PC		PC	Each
GL60L-SB		SB	Each
GL60L-BP		BP	Each
GL60L-ORZ		ORZ	Each
GL60L-ABR*		ABR	Each

*Available Q4 2023

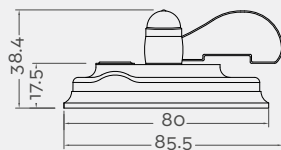


PART NUMBER	PRODUCT DESCRIPTION	FINISH	UNITS
SF34F-SBD-SC		SC	Each
SF34F-SBD-CP		CP	Each
SF34F-SBD-PB	Acorn lockable cam fastener	PB	Each

Top Profile

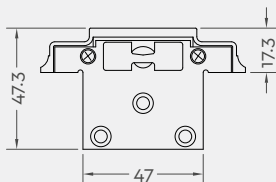


Side Profile

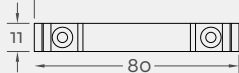


PART NUMBER	PRODUCT DESCRIPTION	FINISH	UNITS
SF34K-SBD-SC		SC	Each
SF34K-SBD-CP		CP	Each
SF34K-SBD-PB	SBD Security cam keep	PB	Each

Top Profile



Front Profile



Acorn Security Cam Fastener

- Security Fastener Lock for sliding sash windows.
- Designed to pull, lift and align the top and bottom meeting rails.
- Engineered for strength with additional fixing points and key deadlocking for enhanced security.
- Combine with SF34K-SBD security keep to achieve a PAS 24:2012 compatible window.
- Meets the requirements of BS EN 1670:2007 Grade 5 Corrosion Resistance (480 hours).



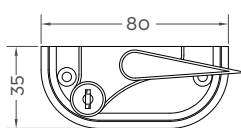
Acorn Security Cam Keep

- Security Fastener Keep for sliding sash windows.
- Combine with SF34F-SBD Acorn security cam fastener lock to achieve a PAS 24:2012 compatible window.
- Meets the requirements of BS EN 1670:2007 Grade 5 Corrosion Resistance (480 hours).

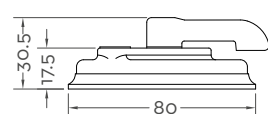


PART NUMBER	PRODUCT DESCRIPTION	FINISH	UNITS
SF34F-STD-SC		SC	Each
SF34F-STD-CP		CP	Each
SF34F-STD-PB	Standard lockable cam fastener	PB	Each

Top Profile



Front Profile



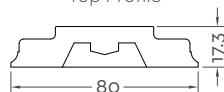
Standard Cam Fastener

- Key deadlocking for enhanced security.
- Meets the requirements of BS EN 1670:2007 Grade 5 Corrosion Resistance (480 hours).
- Designed to pull, lift and align together the top and bottom meeting rails.



PART NUMBER	PRODUCT DESCRIPTION	FINISH	UNITS
SF34K-STD-SC		SC	Each
SF34K-STD-CP		CP	Each
SF34K-STD-PB	Standard cam keep	PB	Each

Top Profile



Front Profile



Standard Cam Keep

- Standard Cam Fastener Keep for sliding sash windows.
- Meets the requirements of BS EN 1670:2007 Grade 5 Corrosion Resistance (480 hours).
- Can be used with either the Standard or Acorn Security Cam Fastener Lock.



GLACE™

Brighton Pattern Sash Fastener

- A narrow Brighton design sash fastener.
- Pulls the meeting rails of the top and bottom sash together to improve weathersealing.
- Traditional Victorian design for sliding box sash windows.
- Screw down arm ensures a secure fitting between the top and bottom sash.
- Provides excellent compression qualities.

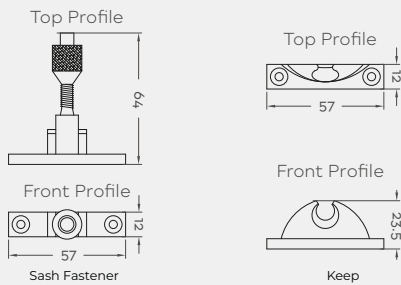


Brighton Pattern Sash Fastener - Non-locking

- A narrow Brighton design sash fastener.

PART NUMBER	PRODUCT DESCRIPTION	FINISH	UNITS
SF50-SC	12mm Narrow brighton fastener	SC	Each
SF50-PC		PC	Each
SF50-BP		BP	Each
SF50-ABR*		ABR	Each

*Available Q4 2023

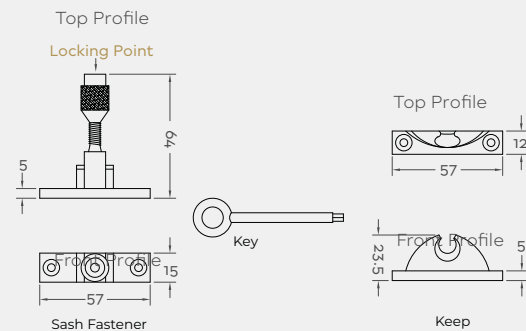


Brighton Pattern Sash Fastener - Locking

- Lockable for extra security.
- Use the key to unscrew the nut on the end of the arm allowing the bar to swing up and release the window.

PART NUMBER	PRODUCT DESCRIPTION	FINISH	UNITS
SF50L-SC*	Lockable brighton fastener	SC	Each
SF50L-PC*		PC	Each
SF50L-SB*		SB	Each
SF50L-BP*		BP	Each
SF50L-ORZ*		ORZ	Each
SF50L-ABR*		ABR	Each

*Available Q4 2023



GLACE™

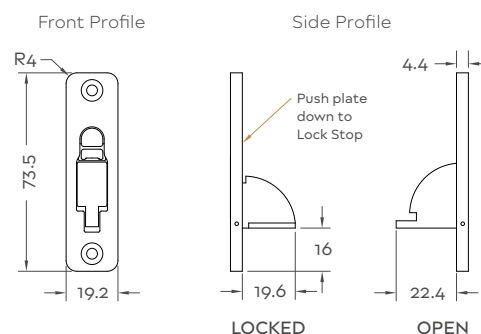
Weekes Security Sash Stop

- Prevent sash from opening beyond the stop.
- Allows the window to be opened slightly for ventilation, but maintains a level of security.
- No key is required to operate it.



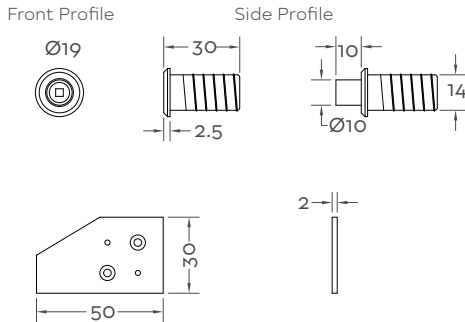
PART NUMBER	PRODUCT DESCRIPTION	FINISH	UNITS
SWS40-SC*	Weekes security sash stop	SC	Each
SWS40-PC*		PC	Each
SWS40-SB*		SB	Each
SWS40-BP*		BP	Each
SWS40-ORB*		ORZ	Each
SWS40-ABR*		ABR	Each

*Available Q4 2023



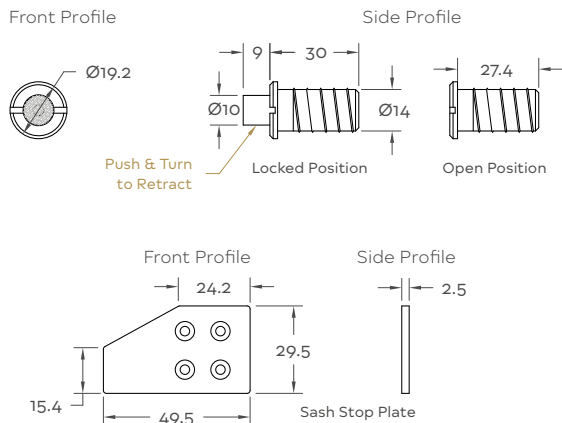
PART NUMBER	PRODUCT DESCRIPTION	FINISH	UNITS
SWS30-SC	Flush integral retractable sash stop	SC	Each
SWS30-PC		PC	Each
SWS30-SB		SB	Each
SWS30-BP		BP	Each
SWS30-ORZ		ORZ	Each
SWS30-ABR*		ABR	Each

*Available Q4 2023

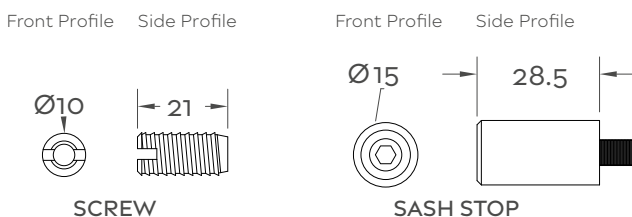


PART NUMBER	PRODUCT DESCRIPTION	FINISH	UNITS
SWS50-SC*	Push button round sash stop	SC	Each
SWS50-PC*		PC	Each
SWS50-SB*		SB	Each
SWS50-BP*		BP	Each
SWS50-ORB*		ORZ	Each
SWS50-ABR*		ABR	Each

*Available Q4 2023



PART NUMBER	PRODUCT DESCRIPTION	FINISH	UNITS
SWS42-PB	2 x stops, 4 x threads sash kit	PB	Per Kit



GLACE™ Flush Integral Round Sash Stop

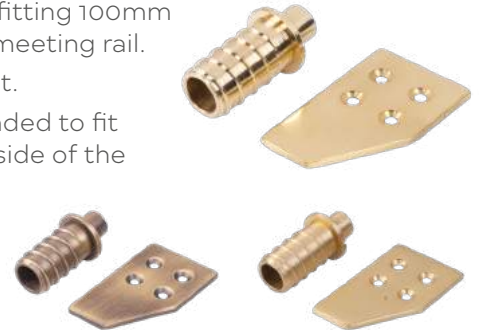


- Flush integral retractable sash stop/ lock for sliding sash windows.
- These sash stops fit to the top sash allowing the window to be opened for ventilation without passing the bottom sash.
- Conforms to most British Insurance Standards.
- Key winds projecting part in and out.
- Successfully used in our Part Q Test.



GLACE™ Push Button Round Sash Stop

- An alternative sash lock which can be used where fire egress is required as it doesn't require a key.
- A push to engage and disengage restrictor.
- Can be used for added security by fitting just above the meeting rail or venting by fitting 100mm above the meeting rail.
- Simple to fit.
- Recommended to fit one either side of the sash.



Circular Detachable Sash Stop

- These lockable sash stops fit securely in the top sash stile to prevent the window from opening fully.
- Conforms to most British Insurance Standards.
- Key (sold separately) required to unlock and enable the window to open fully.



VERTICAL SLIDING SASH - SPIRAL BALANCE

We've updated the spiral balance range to make installation simpler and quicker.

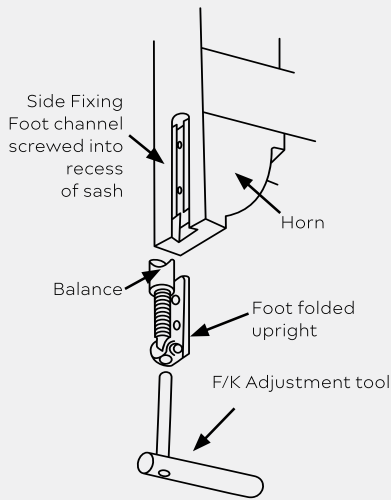
- ✔ Screwdriver Adjustment on 'F' type balances, available for 'D' type upon request.
- ✔ Horn Channel Fixings to both Top and Bottom Sashes for easier installation and better aesthetics.
- ✔ Stainless steel springs to ensure your balances last longer.
- ✔ 10 year guarantee
- ✔ Made in the UK



Spiral Balance Groove and Tube Size



Horn Channel Fixings



'D' Type

- Light duty, economic, general purpose balances for domestic or commercial applications
- Manufactured in 3 weight groups suitable for sashes having glazed weights of up to 18.15kgs (40lbs) and sery hatchs up to 6.8kgs (15lbs)
- Adjustable within their weight range to suit actual glazed sash weights
- D29 Horn Channel fixings
- Special adjustment tool available
- Where maximum assisted lift is required it is advisable to use 'F' type balances when sash weights exceed 17kgs (37.5lbs)

'F' Type

- Fully pre-tensioned (fine adjustment available if further tension required)
- Colour coded weight ranges
- Assisted lift

'K' Type

- Fully pre-tensioned (fine adjustment available if further tension required)
- Assisted lift

For Spiral Balance inquiries, please SCAN QR code.



Sash Cords

- Premium quality hardwearing sash cord made in the UK.
- A man-made fibrous cord providing high strength, good elasticity, chemical, mildew and UV resistance.
- Wax version provides a weatherproof, durable and smooth running cord which is low stretch and high strength due to polycore.
- Waxed cord successfully used in our Part Q Test.
- Solid braided nylon cord version ensures excellent abrasion resistance.



PART NUMBER	PRODUCT DESCRIPTION	FINISH	UNITS
SCW6	6mm Waxed cotton sash cord	WH	100m Roll
SCW7	7mm Waxed cotton sash cord	WH	100m Roll
SCB6	6mm Solid braided nylon cord	WH	100m Roll



SCW6

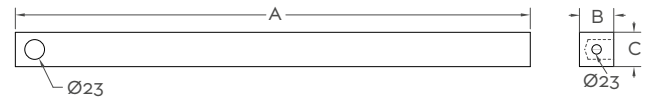


SCB6

PART NUMBER	PRODUCT DESCRIPTION	UNITS
SW6	40 x 218mm Steel weight 6lb/2.7kg	Each
SW7	40 x 255mm Steel weight 7lb/3.2kg	Each
SW8	40 x 290mm Steel weight 8lb/3.6kg	Each
SW9	40 x 325mm Steel weight 9lb/4.1kg	Each
SW10	40 x 363mm Steel weight 10lb/4.5kg	Each
SW11	40 x 392mm Steel weight 11lb/5kg	Each
SW12	45 x 348mm Steel weight 12lb/5.4kg	Each
SW13	45 x 377mm Steel weight 13lb/5.9kg	Each
SW14	45 x 406mm Steel weight 14lb/6.3kg	Each
SW15	45 x 435mm Steel weight 15lb/6.8kg	Each
SW16	45 x 464mm Steel weight 16lb/7.3kg	Each
SW17	45 x 493mm Steel weight 17lb/7.7kg	Each
SW18	45 x 522mm Steel weight 18lb/8.2kg	Each
SW19	45 x 551mm Steel weight 19lb/8.6kg	Each
SW20	45 x 580mm Steel weight 20lb/9.1kg	Each
SW21	45 x 609mm Steel weight 21lb/9.5kg	Each
SW22	45 x 638mm Steel weight 22lb/10kg	Each
SW23	45 x 667mm Steel weight 23lb/10.4kg	Each
SW24	50 x 560mm Steel weight 24lb/10.9kg	Each
SW25	50 x 585mm Steel weight 25lb/11.3kg	Each
SW26	50 x 598mm Steel weight 26lb/11.8kg	Each
SW27	50 x 620mm Steel weight 27lb/12.2kg	Each
SW28	50 x 650mm Steel weight 28lb/12.7kg	Each
SW29	50 x 680mm Steel weight 29lb/13.2kg	Each
SW30	50 x 695mm Steel weight 30lb/13.6kg	Each

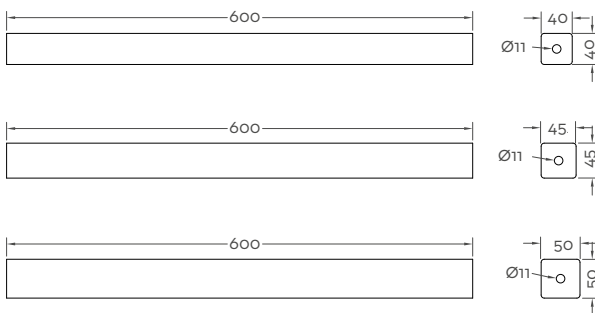
Steel Sliding Sash Weights

- Steel sash weights cost significantly less than traditional lead sash weights.
- The weights are coated to inhibit rust and will fit the majority of sash windows.
- These sash weights come with a large 23mm diameter hole so you can feed the sash cord through the end of the weight and tie the knot, then pull the cord back through so the weight hangs vertically.
- Steel weights cannot be cut down to size so please ensure that the section size will fit your sash box.
- Successfully used in our Part Q Test.



Dimensions in Product Description are shown as B/C x A(mm) -eg. 40 x 218mm

PART NUMBER	PRODUCT DESCRIPTION	UNITS
LW40	40 x 40 x 600mm Lead Bar 19.9lb/8.8kg	Each
LW45	45 x 45 x 600mm Lead Bar 26.5lb/12.2kg	Each
LW50	50 x 50 x 600mm Lead Bar 36.6lb/16.4kg	Each

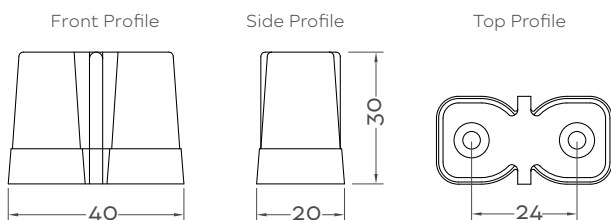


Lead Sliding Sash Weights

- Lead Weights stocked in 600mm lengths suitable for traditional vertical sliding box sash windows.
- These weights have an 11mm hole running through the centre and can be cut to the length as required on site.
- Offcuts can be reused as weights or makeweights.
- Successfully used in our Part Q Test.



PART NUMBER	PRODUCT DESCRIPTION	FINISH	UNITS
SF55-BK	Chimney Block	BK	Each



Chimney Block

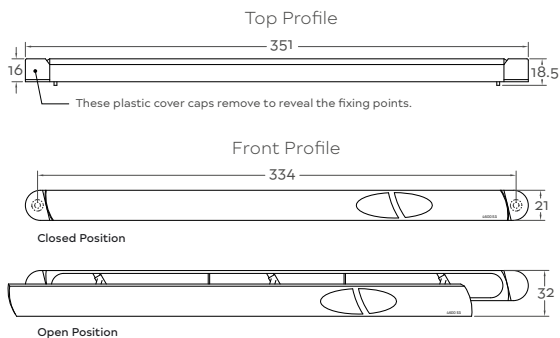
- SBD chimney block is located on the top rail of the sash to act as a dog bolt for extra security.
- Two are required per sash.
- Successfully used on our Part Q Test.





TRICKLE VENTS & CANOPIES

PART NUMBER	PRODUCT DESCRIPTION	FINISH	UNITS
TVF400V-WH	351 x 21-32mm Vent, EA - 2200mm ²	WH	Each
TVF400V-BR		BR	Each

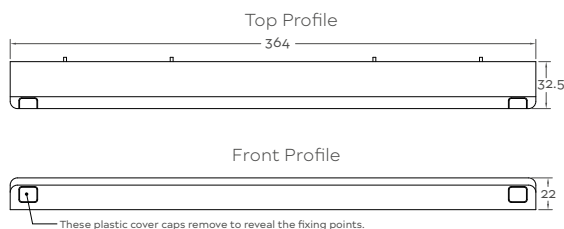


TVF Plastic Recessed Fix Trickle Vent

- TVF fully recessed plastic trickle vent.
- Improved design for increased ventilation.
- No projection (when vent closed) for ease of window stacking.
- Controllable tilting T-bar.
- Should be fitted with the TVF Canopy or TVG Grille to achieve the EA Air Flow figures.
- Installed on the inside of the window.



PART NUMBER	PRODUCT DESCRIPTION	FINISH	UNITS
TVF400C-WH	364 x 22mm Canopy	WH	Each
TVF400C-BR		BR	Each

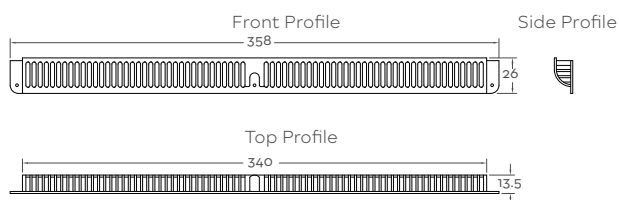


TVF Plastic Surface Fix Trickle Vent Canopy

- TVF surface mounted plastic trickle vent canopy.
- Should be fitted with the TVF Vent to achieve the EA Air Flow figures.
- Installed on the outside of the window.



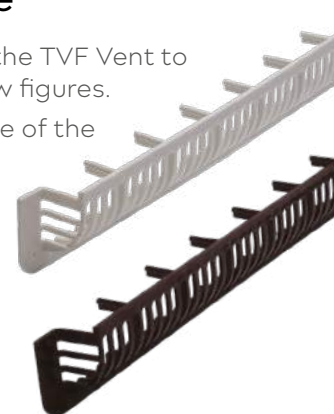
PART NUMBER	PRODUCT DESCRIPTION	FINISH	UNITS
TVG358-WH	358 x 26mm Grille	WH	Each
TVG358-BR		BR	Each



TVG Plastic Recessed Fix Trickle Vent Grille

- Should be fitted with the TVF Vent to achieve the EA Air Flow figures.
- Installed on the outside of the window.

Note - different window preparation required if using this grille instead of the TVF canopy.



TVR Vent & Canopy EA Air Flow Figures

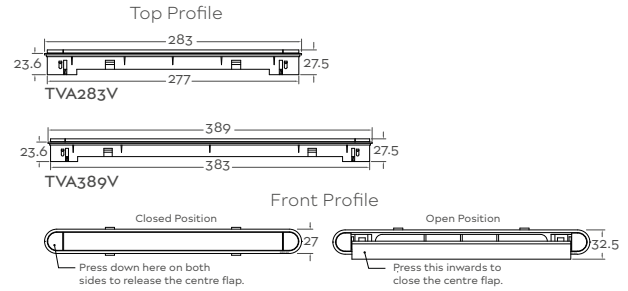
Vent & Canopy	EA Air Flow	Slot Detail (mm)
TVF400	4600mm ²	

TVA Plastic Recessed Clip-Fix Trickle Vent

- Specifically designed for high performance timber windows.
- Press to open or close.
- Provides high air tightness in closed position.
- Should be fitted with the TVA Canopy to achieve the EA Air Flow figures.
- Installed on the inside of the window.



PART NUMBER	PRODUCT DESCRIPTION	FINISH	UNITS
TVA283-WH	283 x 27mm Vent, EA - 3000mm ²	WH	Each
TVA283-BR		BR	Each
TVA389-WH	389 x 27mm Vent, EA - 4300mm ²	WH	Each
TVA389-BR		BR	Each

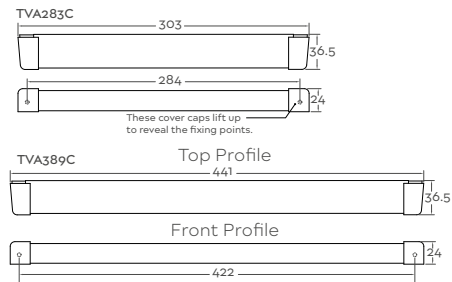


TVA Aluminium Surface Fix Trickle Vent Canopy

- Specifically designed for high performance timber windows.
- Complies with Building Regulations, Ventilation (England & Wales).
- Should be fitted with the TVA Vent to achieve the EA Air Flow figures.
- Installed on the outside of the window.



PART NUMBER	PRODUCT DESCRIPTION	FINISH	UNITS
TVA283C-WH	303 x 24mm Canopy	WH	Each
TVA283C-BR		BR	Each
TVA389C-WH	441 x 24mm Canopy	WH	Each



TVA Vent & Canopy EA Air Flow Figures

Vent & Canopy	EA Air Flow	Slot Detail (mm)
TVA283	3000mm ²	
TVA389	4300mm ²	

Timber Veneer Vent Sets for TVA Plastic Vents

Makes the vent a lot more subtle and ensures it doesn't take away from the beauty of your window.

- Enables vent to be finished the exact same colour and finish as your window - painted or stained.
- Available in 3 finishes – OAK, PINE or SAPELE – purchased in addition to the TVT242 & TVT347 vents. Veneered end caps replace standard plastic caps and the veneered strip is glued to the vent flap.
- Note different routing prep required to standard TVA vent.



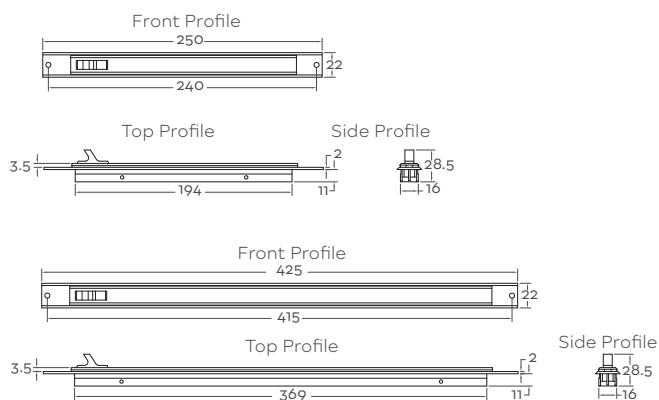
PART NUMBER	PRODUCT DESCRIPTION	FINISH	UNITS
TVT242-OAK	283 x 27mm Veneer vent set for TVA283 plastic vents	OK	Each
TVT242-PINE		PN	Each
TVT242-SAPELE		SAP	Each
TVT347-OAK	347 x 27mm Veneer vent set for TVT389 plastic vents	OK	Each
TVT347-PINE		PN	Each
TVT347-SAPELE		SAP	Each



Scan QR CODE for more information and to view the explanatory video.



PART NUMBER	PRODUCT DESCRIPTION	FINISH	UNITS
TVR200V-WH	250 x 22mm Vent, EA - 2200mm ²	WH	Each
TVR200V-BR		BR	Each
TVR200V-BK		BK	Each
TVR200V-AAL		AAL	Each
TVR400V-WH	425 x 22mm Vent, EA - 4300mm ²	WH	Each
TVR400V-BR		BR	Each
TVR400V-BK		BK	Each
TVR400V-AAL		AAL	Each

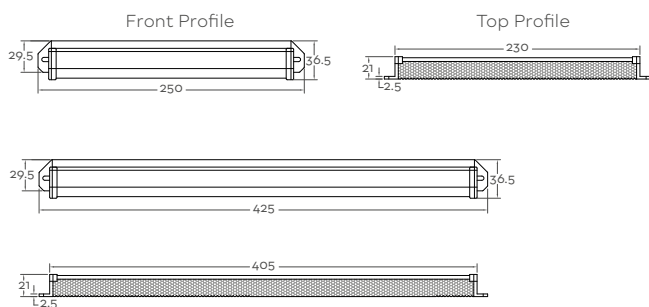


TVR Aluminium Recessed Fix Trickle Vent

- Felted gasket for increased performance.
- Controllable T-bar deflects air up or down.
- Unique linkages ensure constant friction and smooth action.
- Should be fitted with the TVR Canopy to achieve the EA Air Flow figures.
- Installed on the inside of the window.



PART NUMBER	PRODUCT DESCRIPTION	FINISH	UNITS
TVR200C-WH	250 x 22mm Canopy	WH	Each
TVR200C-BR		BR	Each
TVR200C-BK		BK	Each
TVR200C-AAL		AAL	Each
TVR400C-WH	425 x 22mm Canopy	WH	Each
TVR400C-BR		BR	Each
TVR400C-BK		BK	Each
TVR400C-AAL		AAL	Each



TVR Aluminium Recessed Fix Trickle Vent Canopy

- Should be fitted with the TVR Vent to achieve the EA Air Flow figures.
- Installed on the outside of the window.



TVR Vent & Canopy EA Air Flow Figures

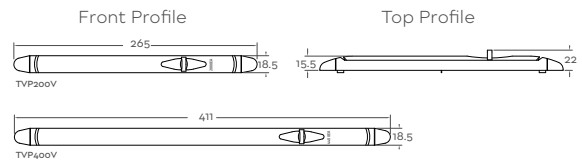
Vent & Canopy	EA Air Flow	Slot Detail (mm)
TVR200	2200mm ²	215 16
TVR400	4300mm ²	387 16

TVP Plastic Surface Fix Trickle Vent

- Deflects air up or down or both.
- Controllable tilting T-bar.
- Should be fitted with the TVP Canopy to achieve the EA Air Flow figures.
- Installed on the inside of the window.



PART NUMBER	PRODUCT DESCRIPTION	FINISH	UNITS
TVP200V-WH	265 x 18.5mm Vent, EA - 2000mm²	WH	Each
TVP400V-WH	411 x 18.5mm Vent, EA - 4400mm²	WH	Each

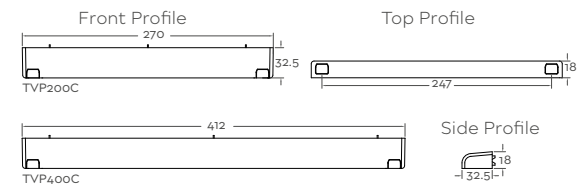


TVP Plastic Surface Fix Trickle Vent Canopy

- TVP surface mounted plastic trickle vent canopy.
- Should be fitted with the TVP Vent to achieve the EA Air Flow figures.
- Installed on the outside of the window.



PART NUMBER	PRODUCT DESCRIPTION	FINISH	UNITS
TVP200C-WH	267 x 17mm Canopy	WH	Each
TVP400C-WH	412 x 17mm Canopy	WH	Each



TVP Vent & Canopy EA Air Flow Figures

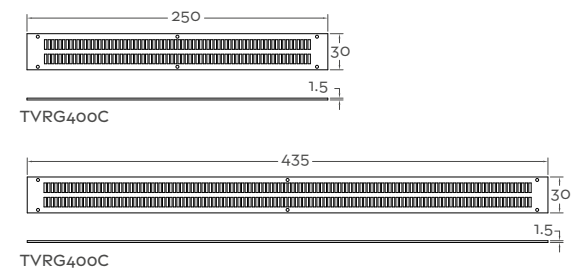
Vent & Canopy	EA Air Flow	Slot Detail (mm)
TVP200	2000mm²	
TVP400	4400mm²	

TVRG Flat Aluminium Ventilation Grille

- Pinned on over the vent slots below the head drip.



PART NUMBER	PRODUCT DESCRIPTION	FINISH	UNITS
TVRG200C-WH	250 x 30mm Flat grille	WH	Each
TVRG200C-BR		BR	Each
TVRG200C-AAL		AAL	Each
TVR4G00C-WH	435 x 30mm Flat grille	WH	Each
TVR4G00C-BR		BR	Each
TVRG400C-AAL		AAL	Each

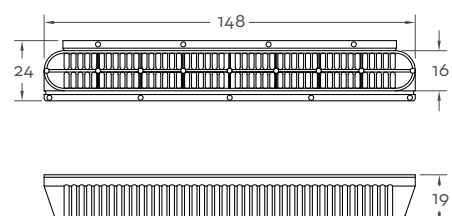


TVG Plastic Lip Type Ventilation Grille

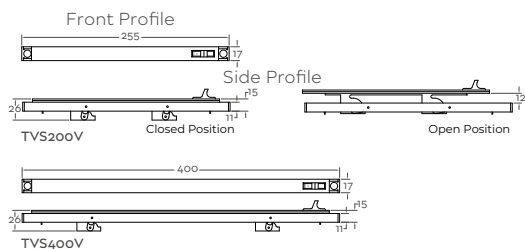
- Slots into the grooves below the head drip.
- Helps prevent insects from entering the trickle vents.



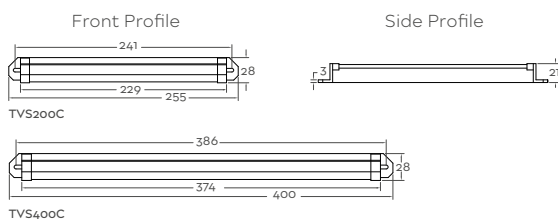
PART NUMBER	PRODUCT DESCRIPTION	FINISH	UNITS
TVG24-WH	148 x 24mm Lip grille	WH	Pair
TVG24-BR		BR	Pair



PART NUMBER	PRODUCT DESCRIPTION	FINISH	UNITS
TVS200V-WH	255 x 17mm Vent, EA - 2000mm ²	WH	Each
TVS200V-BK		BK	Each
TVS400V-WH	400 x 17mm Vent, EA - 4000mm ²	WH	Each
TVS400V-BK		BK	Each



PART NUMBER	PRODUCT DESCRIPTION	FINISH	UNITS
TVS200C-WH	255 x 28mm Canopy	WH	Each
TVS200C-BK		BK	Each
TVS400C-WH	400 x 28mm Canopy	WH	Each
TVS400C-BK		BK	Each



TVS Aluminium Surface Fix Trickle Vent

- Felted gasket for increased performance.
- Controllable T-bar deflects air up or down.
- Unique linkages ensure constant friction and smooth action.
- Should be fitted with the TVS Canopy to achieve the EA Air Flow figures.
- Installed on the inside of the window.



TVS Aluminium Surface Fix Trickle Vent Canopy

- Should be fitted with the TVS Vent to achieve the EA Air Flow figures.
- Installed on the outside of the window.



TVS Vent & Canopy EA Air Flow Figures

Vent & Canopy	EA Air Flow	Slot Detail (mm)
TVS200	2000mm ²	<u>223</u> 13
TVS400	4000mm ²	<u>173.5</u> 20 <u>173.5</u> 13

Looking for an alternative to trickle vents?

Fluxo by VENTI

Extracting Stale Air | Supplying Fresh Air
Continuous Mechanical Ventilation | Heat Recovery

FAN POWERED BY BRUSHLESS MOTOR
Extracts stale air for 70 seconds, then reverses and supplies fresh air for 70 seconds. Runs 24/7

INSTALLATION
A 100mm core through the wall with standard power supply

BUILT-IN INSECT NET

BUILT-IN HEAT RECOVERY UNIT
Recovers up to 82% of heat

MAINTENANCE
Removable and washable filter

SUBTLE DESIGN
Removable cover plate

- The trickle vent alternative. Fully Part F Compliant.
- £5 a year to run continuously
- 3 Speeds, 2 Modes



For more information visit venti-group.com



WEATHERSEALS & TAPES

DEVENTER

DEVENTER Weatherseal

PROTECTIVE FILM

Keeps seal clean during manufacture and installation. Can be easily peeled off once work is complete - SPV124 only

SUPERIOR PROTECTION

Hollow chamber enhances acoustic and thermal properties of your doors and windows against water, wind and noise.

DOESN'T ABSORB WATER

High quality TPE closed cell microfoam which is water resistant. Helps prevent timber from rotting

LOW COMPRESSION

Provides soft closing and reduces pressure on the hardware - SP & SPV range

CONSISTENCY

Long term shape retention, excellent deflection recovery

HIGH QUALITY MATERIAL

UV, Ozone and Smoke resistant material.

Excellent working temperature range of -40 C to +120 C

COMPATIBILITY

Compatible with resin and acrylic paint

QUICK & EASY TO FIT

Rigid back makes it quick to fit without ripples.













CRADLE TO CRADLE CERTIFIED

Deventer Weatherseals are 100% Recyclable and have no adverse human health effects during manufacture, use and disposal.

An overview of Deventer weatherseal where typically used



PART NUMBER	TYPE	REBATE (mm)	GROOVE (mm)	COLOURS	Typical Door & Window Systems seals used in:								WHERE TYPICALLY USED
					Lift & Slide	BiFolds	Doors	Tilt & Turn	Stormproof	High Performance Flush	Tritus	Sliding Sash	
SPV124-12	Compression Weatherseal c/w protective film	12	8x3	BK WH			Y	Y					Dependant on Joiner's setup - Rebate on Double Doors, Frame & Sash on Tilt & Turn
SPV124-15	Compression Weatherseal c/w protective film	15	8x3	BK BR WH			Y		Y				Dependant on Joiner's setup - Door Frames, Frame & Sash on Stormproof
SPV124-18	Compression Weatherseal c/w protective film	18	8x3	BK WH			Y		Y	Y	Y		Dependant on Joiner's setup - Door Frames, Frame & Sash on Stormproof, Frame & Sash on High Perf. Flush
SPV124-19	Compression Weatherseal c/w protective film	19	8x3	BK WH			Y		Y	Y	Y		Dependant on Joiner's setup - Door Frames, Frame & Sash on Stormproof, Frame & Sash on High Perf. Flush
SPV12	Compression Weatherseal	12	8x5	BK WH			Y	Y					Dependant on Joiner's setup - Rebate on Double Doors, Frame & Sash on Tilt & Turn
SPV15	Compression Weatherseal	15	8x5	BK WH			Y		Y				Dependant on Joiner's setup - Door Frames, Rebate on Double Doors, Window Frames, outside of Sash on Stormproof
SPV18	Compression Weatherseal	18	8x5	BK WH			Y		Y	Y	Y		Dependant on Joiner's setup - Door frames, Frame & Sash on High Perf. Flush Windows
SP-VESU19	Sealing Tab	12	4-5	BK WH			Y	Y	Y				At the top & bottom of Double Doors and pairs of Stormproof and Tilt & Turn Windows
SP-VESU22	Sealing Tab	15	4-5	BK			Y	Y	Y				At the top & bottom of Double Doors and pairs of Stormproof and Tilt & Turn Windows
SP103A	Tilt & Turn Weatherseal	10	5x3	BK WH				Y		Y			High Perf. Flush Winkhaus Tilt & Turn System, not in use on Maco Tilt & Turn
SP333	Outer Sash Weatherseal	10	7.5x3	BK			Y						Extra seal for the edge of casements & doors on passive houses
SP5717	Wiping/ Compression Weatherseal	13x2	6x3	BK GR WH			Y				Y		A wiping or compression seal in Doors & Windows

PART NUMBER	TYPE	REBATE (mm)	GROOVE (mm)	COLOURS	Typical Door & Window Systems seals used in:								WHERE TYPICALLY USED	
					Lift & Slide	BiFolds	Doors	Tilt & Turn	Stormproof	High Performance Flush	Tritus	Sliding Sash		
 SP63	Offset Compression Weatherseal	7.5x3	6x3	BK WH		Y	Y							Bifolds, Doors & Windows
 SPV6009	Wiping/ Compression Weatherseal	10x2	5.5x2.7	BK WH		Y	Y		Y	Y				A wiping or compression seal for Bifolds, Doors & Windows. Often used as a secondary seal
 SP0032	Round Bubble Seal	6.5 Bubble	7x3	BK	Y									Used on the Lift & Slide, various applications
 S5507-3	Flipper Gasket	14.5	7.5x3	BK				Y						Meeting stile seal on Straight Sliding Doors, extra seal on Door Frames, as an extra seal for multiple applications
 SV60	Flipper Gasket	6	3x8	BK WH				Y		Y	Y			Extra seal on Door & Window frames
 S6062	2 Prong Flipper Gasket		7.5x3	BK						Y				Flipper seal for use with Flush Casements to cover hardware
 SV2	Glazing Gasket		5x4	BK WH	Y	Y	Y	Y	Y	Y	Y	Y		Glazing Gasket System, Doors & Windows
 SV7	Glazing Gasket		5x4	BK	Y	Y	Y	Y	Y	Y	Y	Y		Glazing Gasket System, Doors & Windows
 S6003	Glazing Gasket		3x3	BK WH	Y	Y	Y	Y	Y	Y	Y	Y		Used in conjunction with Glazing Beads
 SP5920	Sliding Sash Twin Blade Flipper Seal	12.4x10.9	5.5x3	BK WH									Y	Bottom rail, Bottom sash, Meeting Stile, Top rail of top sash, stiles of sliding sash

Deventer Compression Weatherseal

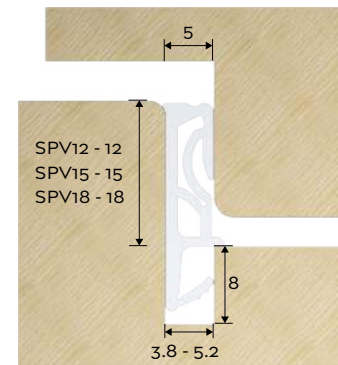
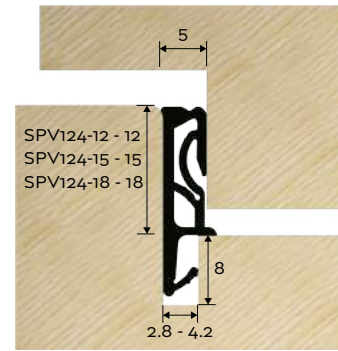
- An excellent rebate compression seal see page 247 for a full range of benefits.
- Typically used on single and double doors, windows and some Tilt & Turn systems.
- Supplied with protective film to keep seal clean during manufacture and installation. Quick to peel off once work complete.

PART NUMBER	PRODUCT DESCRIPTION	FINISH	UNITS
SPV124-12-BK	8 x 3mm groove, 12mm rebate	BK	150m Roll
SPV124-12-WH		WH	150m Roll
SPV124-15-BK	8 x 3mm groove, 15mm rebate	BK	150m Roll
SPV124-15-BR		BR	150m Roll
SPV124-15-WH		WH	150m Roll
SPV124-18-BK	8 x 3mm groove, 18mm rebate	BK	150m Roll
SPV124-18-WH		WH	150m Roll
SPV124-19-BK	8 X 3mm groove, 19mm rebate	BK	150m Roll
SPV124-19-WH		WH	150m Roll

PART NUMBER	PRODUCT DESCRIPTION	FINISH	UNITS
SPV12-BK	8 x 5mm groove, 12mm rebate	BK	180m Roll
SPV12-WH		WH	180m Roll
SPV15-BK	8 x 5mm groove, 15mm rebate	BK	150m Roll
SPV15-WH		WH	150m Roll
SPV18-BK	8 x 5mm groove, 18mm rebate	BK	150m Roll
SPV18-WH		WH	150m Roll



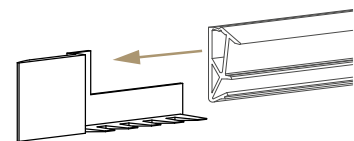
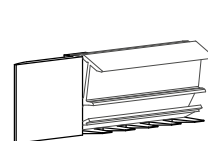
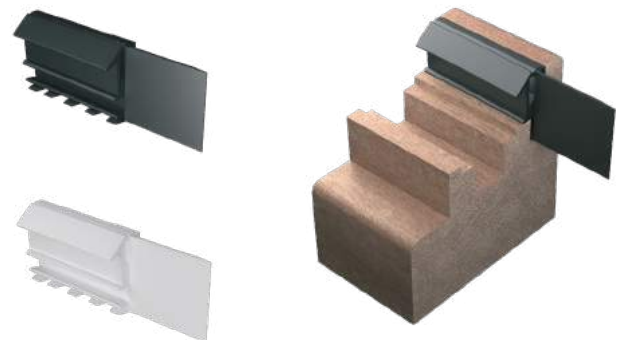
Black seal shown with removable film



Deventer VESU Sealing Tab for French Windows and Double Doors

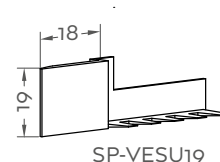
- Sealing tab solves the problem of 'pinprick' holes at the top and bottom of French windows, Double doors and pairs of Stormproof and Tilt & Turn windows.
- Inserts smoothly into a 4-5mm groove along with the weatherseal.
- No adhesive tape is required to hold the tab.
- Suitable for wind test Class C4/1600 Pa and water test Class A9/600 Pa.

PART NUMBER	PRODUCT DESCRIPTION	FINISH	UNITS
SP-VESU19-BK	4 - 5mm groove, 12mm rebate	BK	Pair
SP-VESU19-WH		WH	Pair
SP-VESU22-BK	4 - 5mm groove, 15mm rebate	BK	Pair

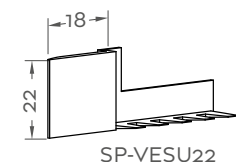


SP-VESU

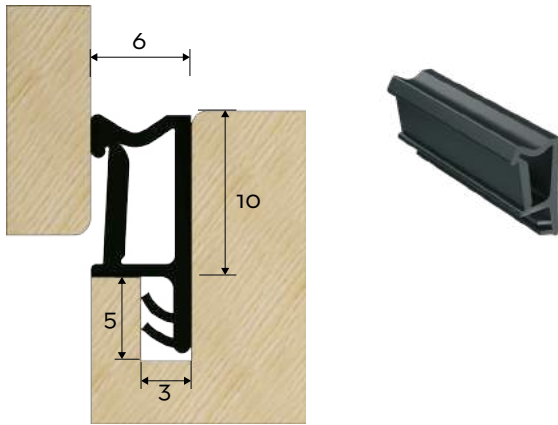
Weatherseal



SP-VESU19



SP-VESU22



Deventer Compression Weatherseal - Tilt and Turn

- Used in many door and window applications and in the Winkhaus Tilt & Turn System.

PART NUMBER	PRODUCT DESCRIPTION	FINISH	UNITS
SP103A-BK	5 x 3mm groove 10mm rebate	BK	200m Roll
SP103A-WH		WH	200m Roll



Deventer Weatherseal Cutting Tool

- Ensures an accurate cut and perfectly mitred joints improving the performance of the weatherseal.
- SP SASH Weatherseal Cutting Tool creates a reverse mitre to allow you to fit your sash weatherseal quickly, easily and accurately.
- SP FRAME Weatherseal Cutting Tool allows you to cut and mitre the weatherseal for the frame in one go. Kit also includes the extended stop required when fitting into stormproof and flush casement style windows.

PART NUMBER	PRODUCT DESCRIPTION	UNITS
WCT-SASH	Sash seal cutting tool	Each
WCT-FRAME-KIT	Frame seal cutting tool with extended stop	Kit
WCT-BLADES-SASH	2 Replacement sash blades	Set
WCT-BLADES-FRAME	2 Replacement frame blades	Set

Weatherseal Trolley



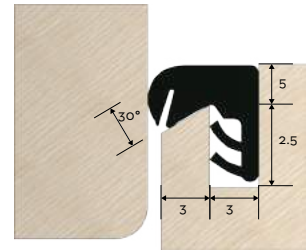
- Weatherseal trolley is designed to hold the Deventer Weatherseal reels and keep your workshop tidy.
- Rotating centre wheel enables quick and easy dispensing of your weatherseal.
- A portable trolley on wheels with a foot brake means you can quickly deploy it at whichever workbench you are working.
- Designed with a hood to help prevent your seal from being covered in dust and dirt.
- The weatherseal trolley is compatible with the following weatherseals; SPV18, SPV15, SPV124, SPV12, SP7018, SP7015, SP103A, SP63, SPV6009, SP5717, S6003, SP333, S5109, if in doubt please contact the office.
- Note: Weatherseal is not included as part of this purchase.

PART NUMBER	PRODUCT DESCRIPTION	FINISH	UNITS
DEV-WST	Trolley for weatherseal Rolls	BK	Each

Deventer Outer Sash Weatherseal

- Often used as an excellent additional seal for passive houses.

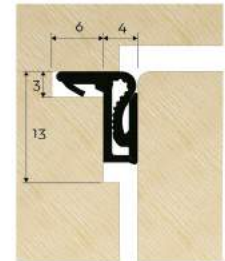
PART NUMBER	PRODUCT DESCRIPTION	FINISH	UNITS
SP333-BK	7.5 x 3mm groove,	BK	200m Roll



Deventer Dual Wiping/Compression Weatherseal

- Used in many door and casement window applications and as a secondary seal on stormproof or high performance flush windows.

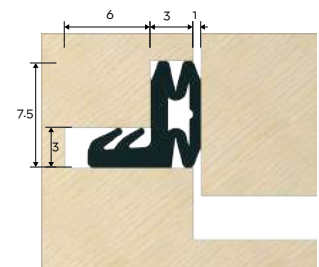
PART NUMBER	PRODUCT DESCRIPTION	FINISH	UNITS
SP5717-BK	6 x 3mm groove	BK	250m Roll
SP5717-WH		WH	250m Roll



Deventer Offset Compression Weatherseal

- An excellent offset compression seal used in many door and window applications and on bifold door systems.

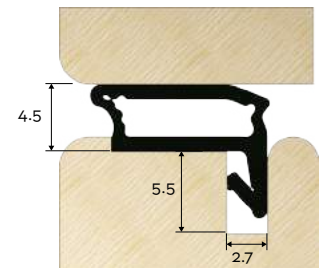
PART NUMBER	PRODUCT DESCRIPTION	FINISH	UNITS
SP63-BK	6 x 3mm groove	BK	300m Roll
SP63-WH		WH	300m Roll



Deventer Wiping/Compression Weatherseal

- An excellent wiping or compression seal used in many door and casement window applications and as a secondary seal on stormproof or high performance flush windows.

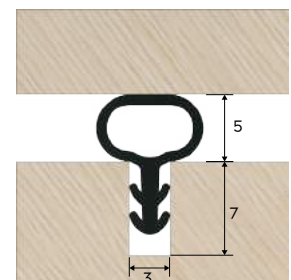
PART NUMBER	PRODUCT DESCRIPTION	FINISH	UNITS
SPV6009-BK	5.5 x 2.7mm groove	BK	250m Roll
SPV6009-WH		WH	250m Roll

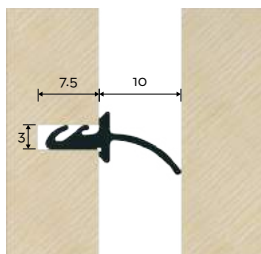


Deventer Round Bubble Seal - 6.5mm

- These round bubble seals are used in multiple applications to seal an air gap.
- Used on HS Portal SCV Lift & Slide Door System.

PART NUMBER	PRODUCT DESCRIPTION	FINISH	UNITS
SP0032-12-BK	6.5mm Round bubble, 7 x 3mm groove	BK	12m Roll
SP0032-BK		BK	200m Roll

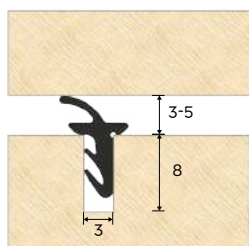




Deventer Flipper Gasket - 14.5mm

- An excellent meeting stile seal for straight sliding doors and an extra seal for example on door frames.

PART NUMBER	PRODUCT DESCRIPTION	FINISH	UNITS
S5507-3-BK	14.5mm Flipper gasket 7.5 x 3mm groove	BK	3m



Deventer Flipper Gasket - 6mm



PART NUMBER	PRODUCT DESCRIPTION	FINISH	UNITS
SV60-BK	6mm Flipper gasket	BK	120m
SV60-WH		WH	120m



Deventer 2-Prong Flipper Gasket

- Used on the outer edge of flush casement sashes, mainly to cover the hardware and keeps.

PART NUMBER	PRODUCT DESCRIPTION	FINISH	UNITS
S6062-BK	2-Prong flipper, 7.5 x 3mm groove	BK	200m Roll

Automatic Under Door Drop Down Seal

- Automatic drop down seal for mortising into underneath of the door.
- No power connection is required - high efficiency mechanism lifts the seal clear of the floor as soon as the door is opened by a few millimetres, resulting in lower door operating forces.
- Self-levelling on uneven floors.
- Protects against sound, smoke, fire, draught, light and insects.
- Can be used on single or double doors and left or right handed doors.
- Spec info:
 - Acoustic test: BS EN ISO 10140-2: 2010 (up to Rw 39dB).
 - Smoke test: BS EN 1634-3: 2004 & BS 476-31.1: 1983. Meets smoke requirement BS 9999: 2017.
 - Fire test: BS 476: Pt.20/22: 1987 & BS EN 1634-1: 2014.
- Durability tested to 1 million cycles.

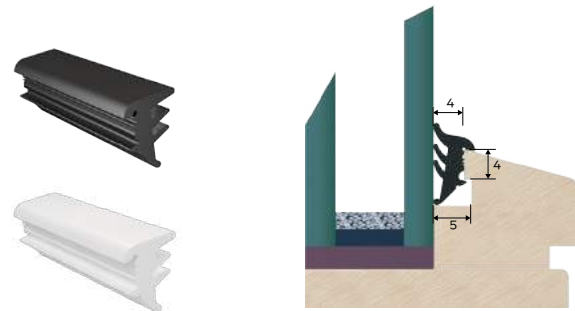


PART NUMBER	PRODUCT DESCRIPTION	FINISH	UNITS
IS8010-935-SV	835 - 935mm Automatic drop down seal	SV	Each
IS8010-1035-SV	935 - 1035mm Automatic drop down seal	SV	Each

Deventer Glazing Gasket - SV2

- Often used to seal around the external glazing beads on timber windows and doors.

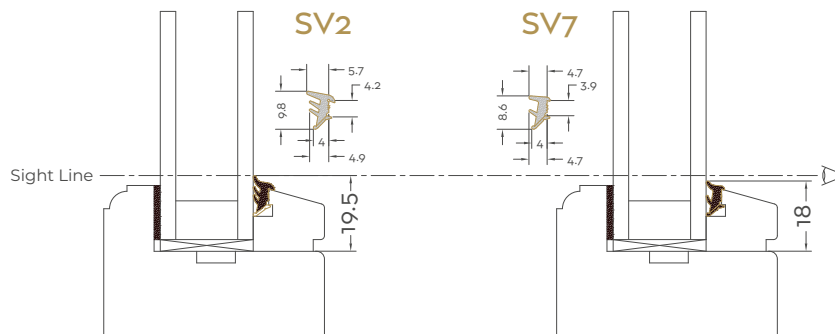
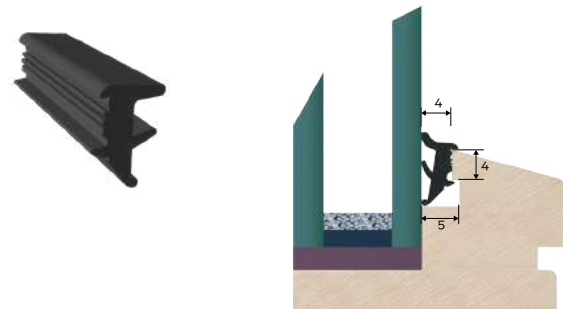
PART NUMBER	PRODUCT DESCRIPTION	FINISH	UNITS
SV2-200-BK	Deventer Glazing gasket, 5 x 4mm groove	BK	200m Roll
SV2-200-WH		WH	200m Roll
SV2-400-BK		BK	400m Roll



Deventer Glazing Gasket - SV7

- Used to seal around the external glazing beads on timber windows and doors.
- Weather tested to E1500 classification on our Inowa sliding door system.
- Slimline gasket is designed to look like a neat line of silicone without the mess or time required.

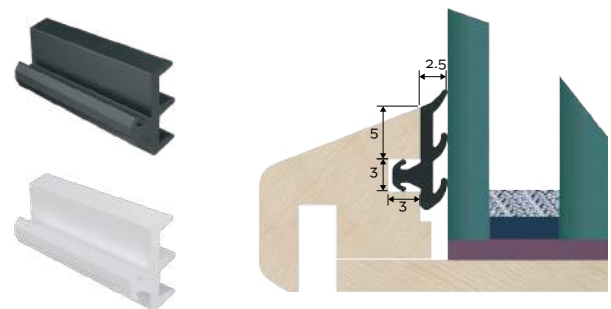
PART NUMBER	PRODUCT DESCRIPTION	FINISH	UNITS
SV7-200-BK	Deventer Glazing Slimline gasket, 5 x 4mm groove	BK	200m Roll



Deventer Glazing Gasket - S6003

- Superior quality gasket used on internal or external glazing rebates.

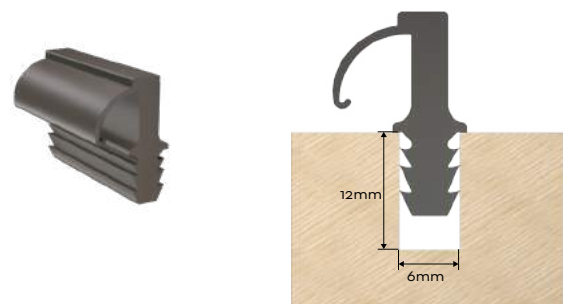
PART NUMBER	PRODUCT DESCRIPTION	FINISH	UNITS
S6003-BK	Deventer Glazing gasket, 3 x 3mm groove	BK	250m Roll
S6003-WH		WH	250m Roll



Open Flipper Water Bar

- Designed to prevent the ingress of rainwater under exterior doors.
- Typically used in the sill of open-in doors.

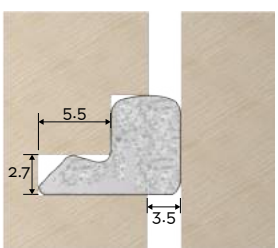
PART NUMBER	PRODUCT DESCRIPTION	FINISH	UNITS
T647-BR	Water Bar, 9 x 6mm groove	BR	2.4m





AquaMac Foam Weatherseal - AQ63

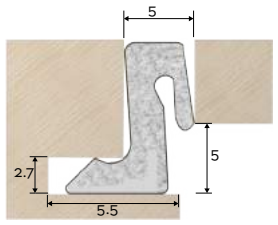
- Used to seal around the door perimeter of a bifold door system.
- Impervious to paint and stain.
- UV and Ozone resistant material.
- Double count each gap and multiply by the height of the door to work out the length of seal you require for your bifold door system.



PART NUMBER	PRODUCT DESCRIPTION	FINISH	UNITS
AQ63-25-BK	6 x 3mm groove 8mm rebate	BK	25m Roll
AQ63-25-WH		WH	25m Roll
AQ63-300-BK		BK	300m Roll
AQ63-300-WH		WH	300m Roll

AquaMac Foam Weatherseal - AQ21

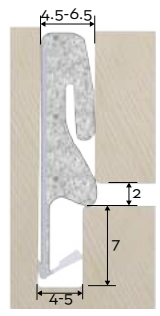
- Used to seal around the frame of a bifold or straight sliding door system.
- Impervious to paint and stain.
- UV and Ozone resistant material.
- Also used on the TSX3 outward opening door threshold.



PART NUMBER	PRODUCT DESCRIPTION	FINISH	UNITS
AQ21-25-BK	6 x 3mm groove, 11mm rebate	BK	25m Roll
AQ21-25-WH		WH	25m Roll
AQ21-250-BK		BK	250m Roll
AQ21-250-WH		WH	250m Roll

Qlon Foam Weatherseal - QL3091

- Conforms to BS644, BBA approved.
- Impervious to paint and stain.
- Unaffected by rot, mould or mildew.
- Immune to the effects of UV light and ozone.



PART NUMBER	PRODUCT DESCRIPTION	FINISH	UNITS
QL3091-BK	7 x 4mm groove, 15mm rebate	BK	150m Roll
QL3091-WH		WH	150m Roll

Slide Pile Perimeter Seal

- Used to draught proof your sliding sash windows.
- The bottom fin slots into the SPC-SA-CARRIER self-adhesive slide pile carrier.
- Used on the stiles and meeting rails of sliding sashes.

PART NUMBER	PRODUCT DESCRIPTION	FINISH	UNITS
SP65-WH	6.5mm Slide pile	WH	100m Roll



Slide Pile Carrier - Self Adhesive

- Self-adhesive slide pile carrier for slotting the SP65 slide pile brush perimeter seal into.

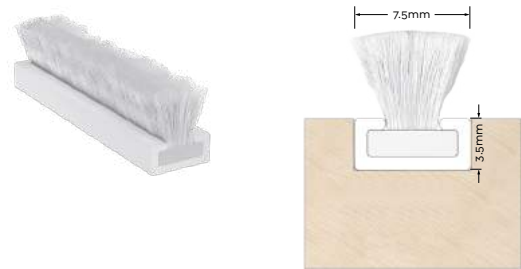
PART NUMBER	PRODUCT DESCRIPTION	FINISH	UNITS
SPC-SA-CARRIER-WH	Self-adhesive slide pile carrier, 2200mm length	WH	Each



Slide Pile Self Adhesive

- A slide pile perimeter strip with a 6.5mm brush mounted in a self-adhesive carrier.
- The carrier is manufactured from a rigid PVC with a self-adhesive base.
- Used on the stiles and meeting rails of sliding sashes.

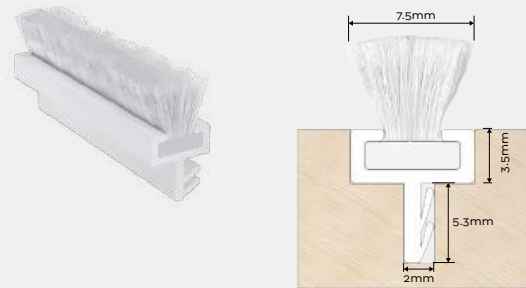
PART NUMBER	PRODUCT DESCRIPTION	FINISH	UNITS
SPC-SA-WH	6.5mm self-adhesive, 2200mm length	WH	Each



Slide Pile Centre Leg

- A slide pile perimeter strip with a 6.5mm brush in a rigid PVC carrier on a centre positioned leg.
- Used on the stiles and meeting rails of sliding sashes.

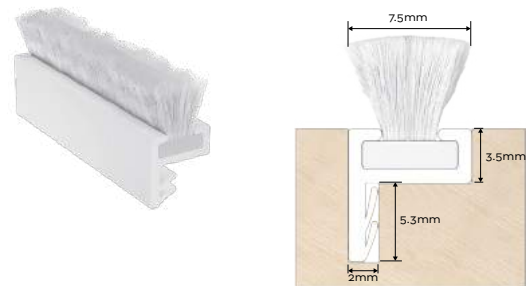
PART NUMBER	PRODUCT DESCRIPTION	FINISH	UNITS
SPC-CL-WH	6.5mm centre leg, 2200mm length	WH	Each
SPC-CL-BR		BR	Each



Slide Pile Offset Leg

- A slide pile perimeter strip with a 6.5mm brush in a rigid PVC carrier on an offset positioned leg.
- Used on the stiles and meeting rails of sliding sashes.

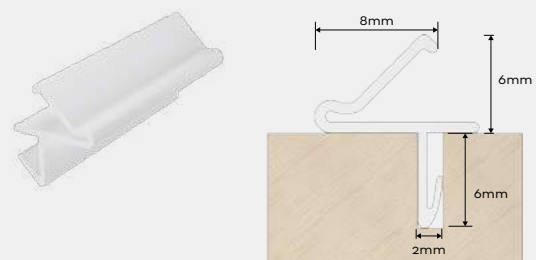
PART NUMBER	PRODUCT DESCRIPTION	FINISH	UNITS
SPC-OL-WH	6.5mm Off-set leg, 2200mm length	WH	Each

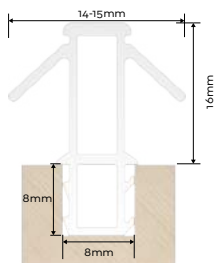


Slidex Seal

- A tough friction resistant perimeter or centre rail seal.
- Can be used as an effective slide or compression seal on meeting stiles.
- Seals gaps of up to 5mm.

PART NUMBER	PRODUCT DESCRIPTION	FINISH	UNITS
SDX3-WH	Slidex Seal, 300mm length	WH	Each

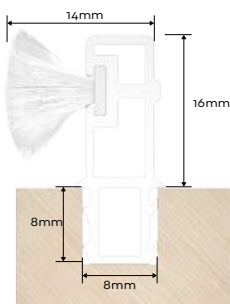




Parting Bead

- A durable weatherseal for timber sliding sash windows.
- Low friction rigid flippers combine smooth movement of the sash with protection from the elements.
- Not affected by paint or stains.
- Used on the top and side of the sliding sash box frame.

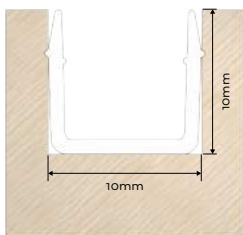
PART NUMBER	PRODUCT DESCRIPTION	FINISH	UNITS
PF12-WH	12mm Parting bead, 3000mm length	WH	Each



Parting Bead with Brush

- Parting bead with brush is used on sliding sash windows.
- Designed to operate at low friction and maintain perfect alignment when reversed.

PART NUMBER	PRODUCT DESCRIPTION	FINISH	UNITS
PT14-WH	Parting bead & brush, 3000mm length	WH	Each



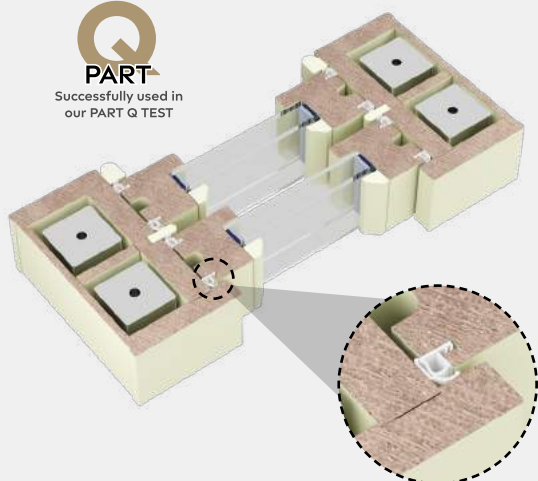
Retaining Profile for Parting Bead

- For use with the PT14 or PF12 parting beads.
- Enables the parting bead to be removed for remedial work.

PART NUMBER	PRODUCT DESCRIPTION	FINISH	UNITS
RT10-WH	Retaining profile, 3000mm length	WH	Each

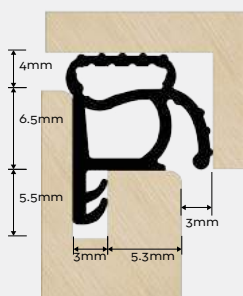


Successfully used in our PART Q TEST

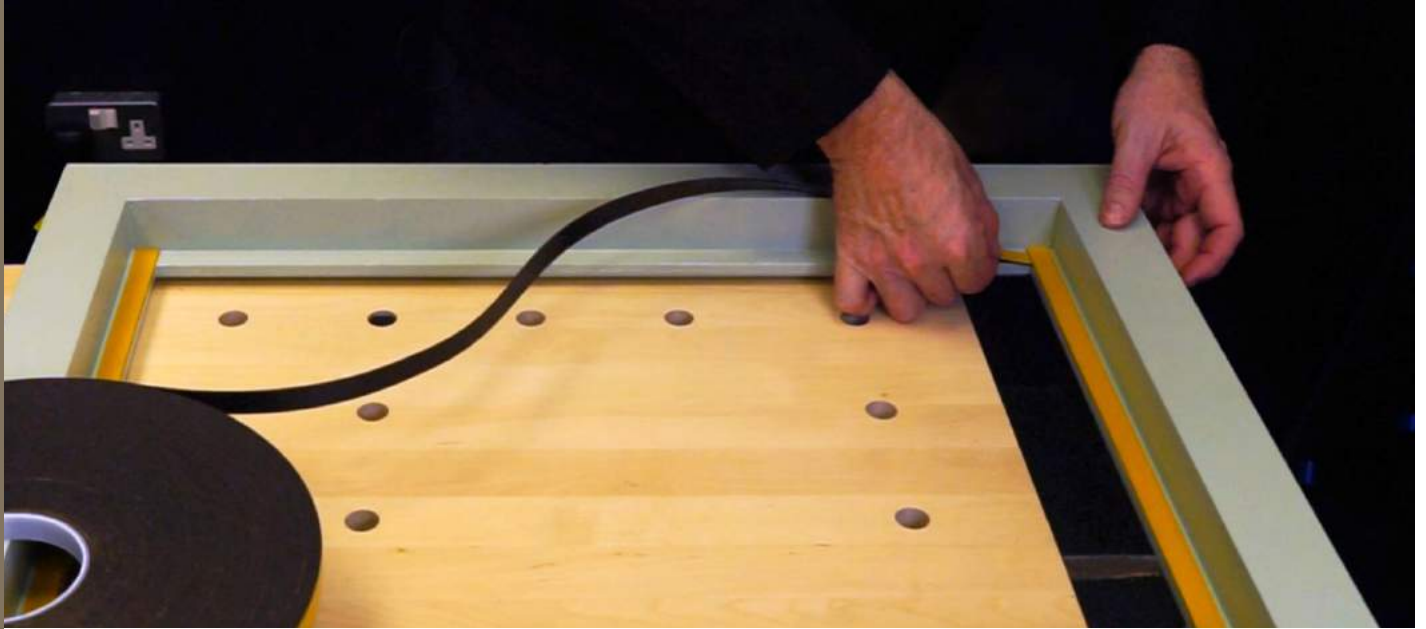


Deventer Sliding Sash Flipper Seal

- A high-quality anti-friction TPE flipper seal with no brushes to wear, providing a longer-lasting smooth sliding sash window.
- Removes a machining process, speeding up the manufacture by providing a 2-in-1 sealing action on the front and side rail of sliding sash windows.
- Double cavity and extended flipper provide better acoustic, thermal and weather performance.
- Unlike traditional brushes, you cannot see the flipper seal in the finished sliding sash window which vastly improves the design and aesthetics of your window.
- Successfully used on our Sliding Sash Part Q Test.
- Used on the bottom rail of the bottom sash, meeting stile, the top rail of the top sash and on the stiles of sashes.
- Excellent for sash refurb work.



PART NUMBER	PRODUCT DESCRIPTION	FINISH	UNITS
SP5920-BK	Twin blade sliding sash seal	BK	96m Roll
SP5920-WH		WH	96m Roll



CoFirm

Double Sided Glazing Tape



- A high performance double sided glazing tape made from closed cell PE foam coated with a high performance acrylic adhesive.
- Ideal for bonding difficult or dissimilar surfaces such as Durodeen beads, Georgian bars, Astragal bars, fixing beads and for fixing glass against the rebate.
- High initial tack and greater long-term bond than many other glazing tapes on the market.
- Resistant to UV exposure.
- Temperature resistance of -40°C to +70°C.
- Resistant to stress and vibration.
- Provides an excellent seal.
- Helps reduce heavy rebate sizes.
- Easy to apply.
- Successfully used in our Part Q Tests.

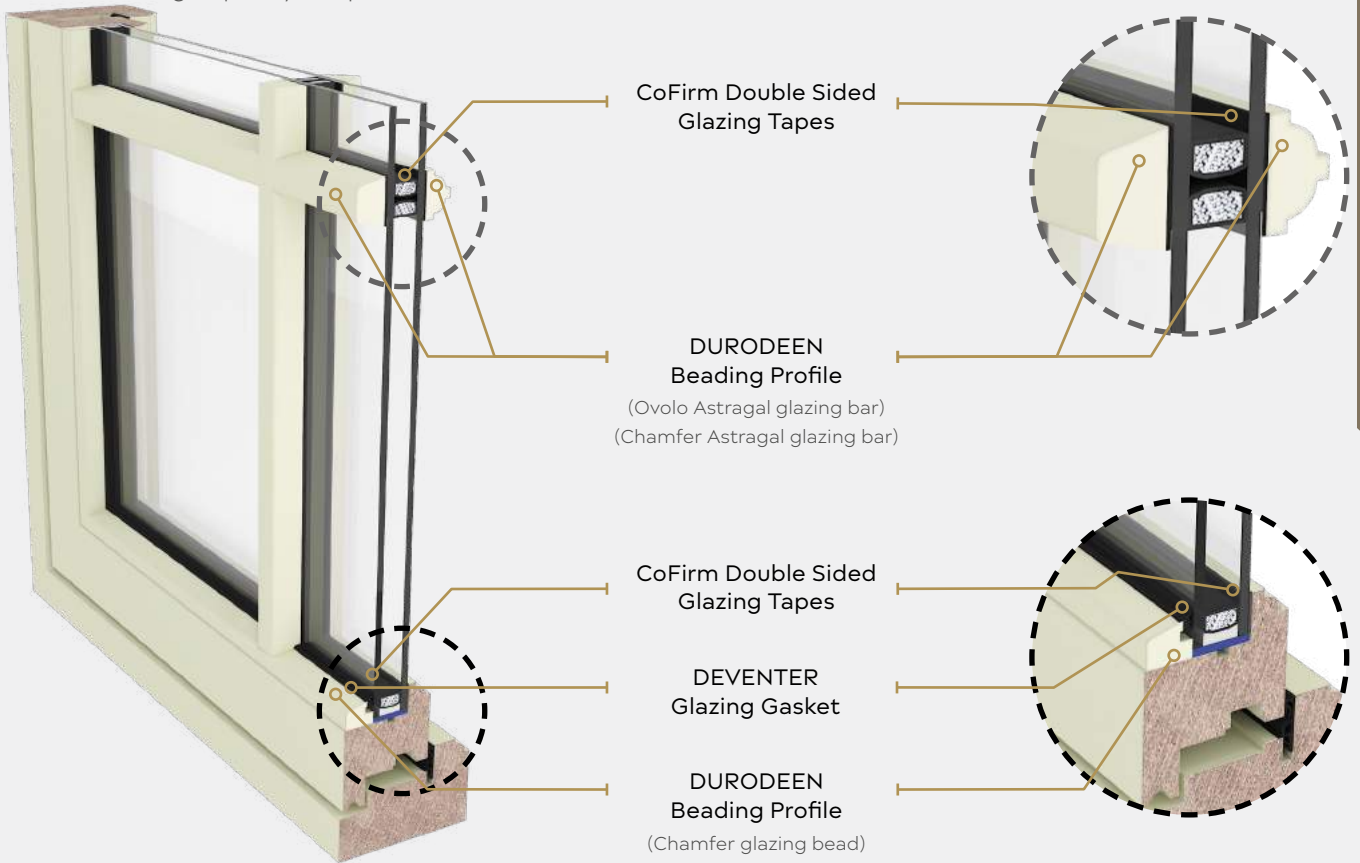


PART NUMBER	PRODUCT DESCRIPTION	FINISH	UNITS
CF1610-BK	1.6 x 10mm CoFirm tape	BK	46m Roll
CF1610-WH		WH	46m Roll
CF1612-BK	1.6 x 12mm CoFirm tape	BK	46m Roll
CF1612-WH		WH	46m Roll
CF1615-BK	1.6 x 15mm CoFirm tape	BK	46m Roll
CF1615-WH		WH	46m Roll
CF1618-BK	1.6 x 18mm CoFirm tape	BK	46m Roll
CF1618-WH		WH	46m Roll
CF1620-BK	1.6 x 20mm CoFirm tape	BK	46m Roll
CF1620-WH		WH	46m Roll
CF1622-BK	1.6 x 22mm CoFirm tape	BK	46m Roll
CF1622-WH		WH	46m Roll
CF1624-BK	1.6 x 24mm CoFirm tape	BK	46m Roll
CF1625-BK	1.6 x 25mm CoFirm tape	BK	46m Roll

Other sizes available to order
Contact us to discuss your requirements on sales@costa-group.com.

RELATED GLAZING PRODUCTS SOLUTION

Simplifies and speeds up your glazing process, enabling it to be brought 'in-house'. This solution has been proven not only to eliminate time consuming and fiddly elements of the glazing process but ensure the production of a high-quality bespoke window.



CoFirm Glazing Tape holds the glass securely and enables the unit to be externally glazed, holding the unit square within the sash (still need to toe and heel the unit)



CoFirm Double Sided Glazing Tapes

Durodeen pre-machined beading removes the issue of timber beading splitting, rotting and bowing and no breakout when end-scribing.



Durodeen Bead Profiles

The SV2 or SV7 glazing gasket removes the messiest part of the glazing process – the silicone beading. We've de-messed and sped up this process to enable any of your team to create a perfectly glazed window.



Deventer Glazing Gasket

(Silicone capping may be needed in some instances)



Senco Bow Pinner 7mm

The Durodeen bead is secret nailed in place using the Senco Bow Pinner. The pins are then hidden by the glazing gasket, removing the need to fill the pin holes and the worry of rusting.

See how our Glazing Solution works.





PRE-MACHINED BEADS & PROFILES

DURODEEN

Pre-Machined Beads & Profiles

Weatherproof beads, bars, sills, and profiles designed to extend the life of your timber doors and windows and reduce your production time.

Durodeen solves the problem of rotting timber drips, sills, bars, beading, and profiles. It is extremely durable and reduces potential site callbacks.

- Solid core and closed-cell structure – making it easier to cut, scribe and fit.
- Excellent paint adhesion – as the profile is machined giving an etched surface rather than the shiny ‘non-stick’ surface created by extruding.
- Dimensionally stable – with low expansion properties.
- Excellent insulating properties – improving the u-values of your doors and windows.
- Lifetime Guarantee – providing peace of mind for your customers.
- Can be recycled – enhancing your green credentials.
- Doesn’t absorb moisture – brings you the characteristics of timber without the problems of rotting.
- If you have a profile requirement different to those listed below please email your enquiry along with a drawing file of your profile to sales@coastal-group.com and we will be in touch to discuss.



Solid Core for enhanced scribing and no splitting

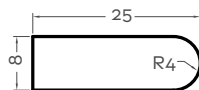


No more breakout or splintered ends compared to timber beads.



Durodeen’s properties enable easy bending of profile which can typically present a challenge when using timber or alternative composite beading solutions.

PART NUMBER	PRODUCT DESCRIPTION	UNIT LENGTH	PACK SIZE
DUR-PB-20187	Parting bead - 25 x 8mm	3500mm	28

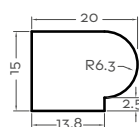


Durodeen Parting Bead Profiles

- The Durodeen parting bead will improve the performance of your sliding sash windows.



PART NUMBER	PRODUCT DESCRIPTION	UNIT LENGTH	PACK SIZE
DUR-SB-20189	Staff bead - 20 x 15mm	3500mm	20



Durodeen Staff Bead Profiles

- Enable you to produce better quality sliding sash windows faster, with less labour time required.

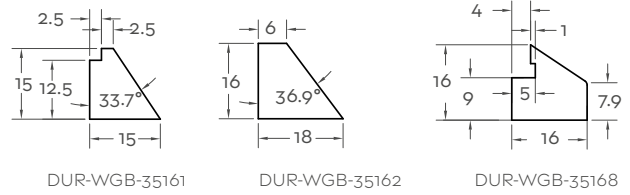


Durodeen Wedge Style Glazing Bead

- The Durodeen wedge style glazing beads are fitted around the outside of the glass to hold it in place.

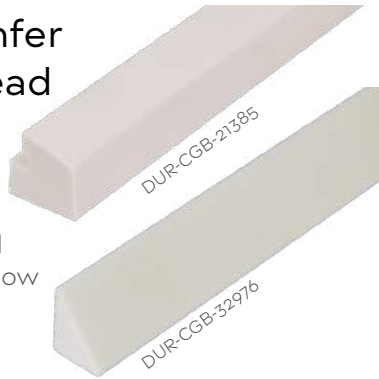


PART NUMBER	PRODUCT DESCRIPTION	UNIT LENGTH	PACK SIZE
DUR-WGB-35161	Wedge glazing bead - 15 x 15mm	3500mm	40
DUR-WGB-35162	Wedge glazing bead - 16 x 18mm	3500mm	30
DUR-WGB-35168	Wedge glazing bead - 16 x 16mm	3500mm	42

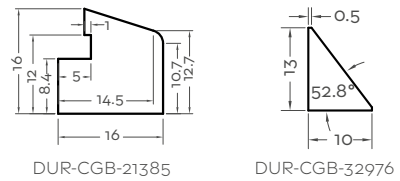


Durodeen Chamfer Style Glazing Bead

- Fitted around the outside of the glass to hold it in place.
- DUR-CGB-21385 ideal to used with Senco Bow Pinner secret nailer.



PART NUMBER	PRODUCT DESCRIPTION	UNIT LENGTH	PACK SIZE
DUR-CGB-21385	Chamfer glazing bead - 16 x 16mm	3500mm	40
DUR-CGB-32976	Chamfer glazing bead - 10x 13mm	1160mm	64

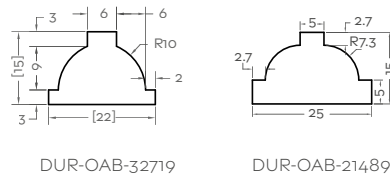


Durodeen Ovolo Style Astragal Glazing Bar

- Planted onto the inside and outside of the glass to give the effect of multiple small panes like traditional period glazing.



PART NUMBER	PRODUCT DESCRIPTION	UNIT LENGTH	PACK SIZE
DUR-OAB-32719	Ovolo Astragal glazing bar - 22 x 15mm	3500mm	20
DUR-OAB-21489	Ovolo Astragal glazing bar - 25 x 15mm	3500mm	20

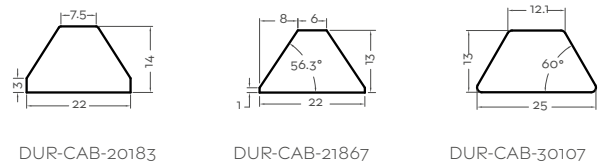


Durodeen Chamfer Style Astragal Glazing Bar

- Planted onto the inside and outside of the glass to give the effect of multiple small panes, provide a classic look for modern windows.
- Can be used as part of a dry glazing system.

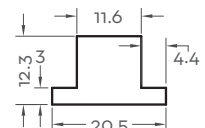


PART NUMBER	PRODUCT DESCRIPTION	UNIT LENGTH	PACK SIZE
DUR-CAB-20183	Chamfer Astragal glazing bar - 22 x 14mm	3500mm	28
DUR-CAB-21867	Chamfer Astragal glazing bar - 22 x 13mm	3500mm	28
DUR-CAB-30107	Chamfer Astragal glazing bar - 25 x 13mm	3500mm	32



Durodeen Euro Groove Infill Rail

- Quickly and easily cut to size and glued into the Euro Groove.
- Prevents water ingress at top of the lock case.
- Gives a nice finished look to the top of the door edge.



PART NUMBER	PRODUCT DESCRIPTION	UNIT LENGTH	PACK SIZE
DUR-EIR-31435	Euro groove infill rail - 20.5x12.3	1160mm	1



FIXINGS, SPARES AND TOOLS & ACCESSORIES

A2 Stainless Steel Wood Screw, Self Embedding Countersunk Head

- Reinforced double countersunk head to prevent the screw head from shearing.
- Precision Torx head drive is designed to give a better grip on your driver bit.
- Ribs under the head help the screw self-embed and ensure improved braking and locking effect for a tight fixing every time.
- A deep slash cutting point makes it more effective at removing the wood and reducing the chance of wood splitting.
- Wax lubricated thread makes it easier to drive the screw into the wood and ensures a consistently tight fit.
- Ideal for use in acidic timber and corrosive environments such as coastal locations.



PART NUMBER	SIZE	TORX HEAD	FINISH	UNITS
FX-CF3520-USS	3,5 x 20mm	TX10	USS	BOX 500
FX-CF3525-USS	3,5 x 25mm	TX10	USS	BOX 500
FX-CF3530-USS	3,5 X 30mm	TX10	USS	BOX 500
FX-CF3540-USS	3,5 X 40mm	TX10	USS	BOX 200
FX-CF4025-USS	4,0 x 25mm	TX20	USS	BOX 500
FX-CF4030-USS	4,0 x 30mm	TX20	USS	BOX 500
FX-CF4030-SS-ORB		TX20	ORB	BOX 100
FX-CF4030-SS-MSB		TX20	MSB	BOX 100
FX-CF4040-USS	4,0 x 40mm	TX20	USS	BOX 200
FX-CF4050-USS	4,0 x 50mm	TX20	USS	BOX 200
FX-CF4060-USS	4,0 x 60mm	TX20	USS	BOX 200
FX-CF4530-USS	4,5 x 30mm	TX20	USS	BOX 500
FX-CF5030-USS	5,0 x 30mm	TX25	USS	BOX 500
FX-CF5030-SS-MSB		TX25	MSB	BOX 100
FX-CF5040-USS	5,0 x 40mm	TX25	USS	BOX 200
FX-CF5040-SS-ORB		TX25	ORB	BOX 100
FX-CF5040-SS-MSB		TX25	MSB	BOX 100
FX-CF5050-USS	5,0 x 50mm	TX25	USS	BOX 200
FX-CF5060-USS	5,0 x 60mm	TX25	USS	BOX 100
FX-CF5070-USS	5,0 x 70mm	TX25	USS	BOX 100
FX-CF5080-USS	5,0 x 80mm	TX25	USS	BOX 100
FX-CF5090-USS	5,0 x 90mm	TX25	USS	BOX 100
FX-CF50100-USS	5,0 x 100mm	TX25	USS	BOX 100
FX-CF6090-USS	6,0 x 90mm	TX25	USS	BOX 100
FX-CF60120-USS	6,0 x 120mm	TX25	USS	BOX 100

A2 Stainless Steel Wood Screw, 3.0 x 16mm, TX10 Pan Head

- Pan head style woodscrew.
- Precision Torx head drive is designed to give a better grip on your drill bit.
- Designed to be used with the TVRG flat aluminium ventilation grille.

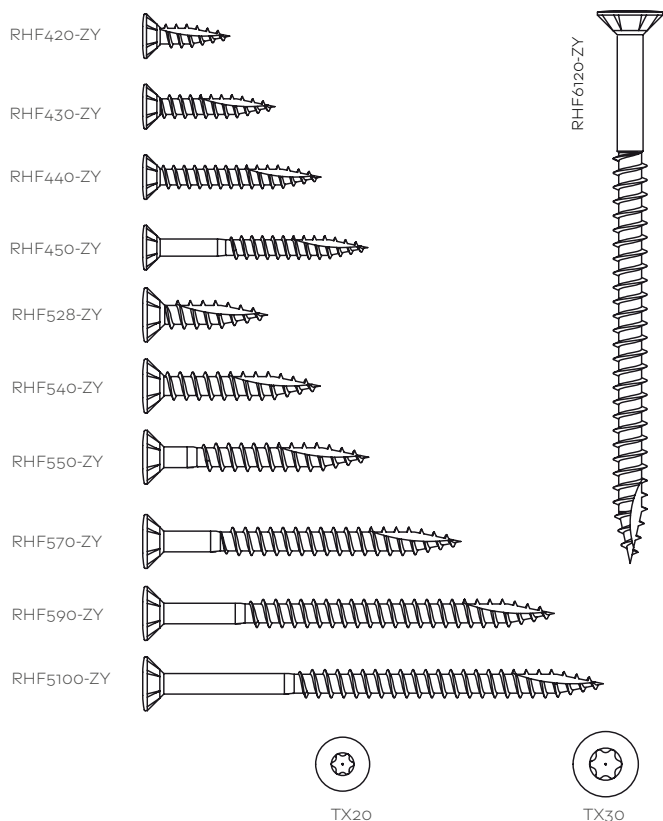


PART NUMBER	SIZE	TORX HEAD	FINISH	UNITS
FX-CF3016-USS	3,0 x 16mm Wood Screw	TX10	USS	BOX 200
FX-CF3016-WH		TX10	WH	
FX-CF3016-BR		TX10	BR	

"Just want to say how pleased I am with some stainless steel screws you supplied me. They are the best quality I have ever had; none have snapped as yet, and I've even tried to break one by screwing it in and out of a piece of oak with no pre-drilling - very, very impressive"

Red Horse ZYTEC Coated Wood screws (Zinc)

- Zytec coating provides the strength of a cold forged screw with Class 3 corrosion resistance.
- Successfully used on our Part Q Tests.
- Slight bevel on screw head creates a clean, neat look even if screw not in straight.
- The unique 'Headlock' of the Red Horse screw ensures a 'locked tight' fit and brakes the screw during fastening to prevent head snapping off.
- Speed up production lines with the innovative thread cut and 'spoon point' tip of these screws providing instant bite and helping prevent wood from splitting.
- 90 Degree angle of countersunk head reduces chances of stripping the head.
- Torx drive head suitable for manual and automated production lines.



PART NUMBER	SIZE	TORX HEAD	FINISH	UNITS
FX-RHF420-ZY	4 x 20mm	TX20	ZY	Box 1000
FX-RHF430-ZY	4 x 30mm	TX20	ZY	Box 1000
FX-RHF440-ZY	4 x 40mm	TX20	ZY	Box 500
FX-RHF450-ZY	4 x 50mm	TX20	ZY	Box 250
FX-RHF528-ZY	5 x 28mm	TX20	ZY	Box 500
FX-RHF540-ZY	5 x 40mm	TX20	ZY	Box 250
FX-RHF550-ZY	5 x 50mm	TX20	ZY	Box 250
FX-RHF570-ZY	5 x 70mm	TX20	ZY	Box 150
FX-RHF590-ZY	5 x 90mm	TX20	ZY	Box 250
FX-RHF5100-ZY	5 x 100mm	TX20	ZY	Box 200
FX-RHF6120-ZY	6 x 120mm	TX30	ZY	Box 250

PART NUMBER	SIZE	FINISH	UNITS
FX-UKF4325-USS	4.3 x 25mm	USS	BOX 1000

A2 Stainless Steel Friction Hinge Screws

- Phillips shallow pan head self-tapping screws.
- Designed for all types of friction hinges.



PART NUMBER	PRODUCT DESCRIPTION	UNITS
RHF-SD-TX10	TX10 TORX head driver bits	Each
RHF-SD-TX20	TX20 TORX head driver bits	Each
RHF-SD-TX25	TX25 TORX head driver bits	Each
RHF-SD-TX30	TX30 TORX head driver bits	Each

TORX Head Driver Bits

- TORX head driver bits for wood screws.
- Available in various sizes to suit your screw head.
- Suitable for both Zytec & Stainless steel screws.



Bolt Receiver Thread System

- High-quality stainless steel fixing is used to solve the problem of fixing a wide variety of both traditional and contemporary hardware to your door or window.
- Made from stainless steel to prevent fixings from rusting and ruining your door or window.
- Select the length of the FX-391 threaded bar you require for your door or window along with the finish of the FX-390 bolt receiver sleeve you require to match your hardware finish.
- For thicker doors you can purchase the FX-392 connector sleeve to connect two threaded bars.



PART NUMBER	PRODUCT DESCRIPTION	FINISH	UNITS
FX-390-SSS	M5 x 18mm Hollow bolt receiver sleeve	SSS	Each
FX-390-PSB		PSB	Each
FX-390-PPB		PPB	Each
FX-390-PBK		PBK	Each
FX-390-TMB		TMB	Each
FX-391-55-USS	55mm Long threaded bar	USS	Each
FX-391-60-USS	60mm Long threaded bar	USS	Each
FX-391-65-USS	65mm Long threaded bar	USS	Each
FX-391-70-USS	70mm Long threaded bar	USS	Each
FX-391-75-USS	75mm Long threaded bar	USS	Each
FX-391-80-USS	80mm Long threaded bar	USS	Each
FX-392-USS	M5 x 16mm Thread FX-391 connector sleeve	USS	Each

Stainless Steel Grub Screws

- A selection of grub screws used in a variety of applications to hold various types of handles onto their spindle or fixing.
- Made from stainless steel to prevent it from corroding.



PART NUMBER	PRODUCT DESCRIPTION	FINISH	UNITS
FX-GS-M55-USS	M5 x 5mm Cone point socket set screw,	USS	Each
FX-GS-M58-TI-USS	M5 x 8mm Cup point grub screw with thread lock	USS	Each
FX-GS-M66-USS	M6 x 6mm Fixing arm socket set screws	USS	Pack 4
FX-GS-M810-USS	M8 x 10mm Flat point grub screw	USS	Each

Pozi Countersunk Head Machine Screws



PART NUMBER	SIZE	FINISH	UNITS
FX-310-100-USS	M5 x 40mm, A2 stainless steel	USS	Box 100
FX-310-M580-USS	M5 x 80mm, A2 stainless steel	USS	Each

Slotted Countersunk Head Machine Screws

- Made from black mild steel and often used for black antique ironmongery.



PART NUMBER	SIZE	FINISH	UNITS
FX-340-100-BK	M5 x 100mm	BK	Each



Klippe Flat Back Glass Clamps



- Simple and effective method of securing glass panels to flat balusters or walls.
- Supplied with rubber gasket insert to suit 10mm glass thickness.

PART NUMBER	PRODUCT DESCRIPTION	FINISH	UNITS
G10-304-SSS	304 Stainless steel flat back glass 'D' clamps	SSS	Each

Spring Cassettes & Spindle for Display Boards

- Spring cassettes are used on the reverse side of a display board to allow you to mount a non-sprung handle so that the lever will return to the horizontal position and not sag.



CX-SC200

- Used in conjunction with the CX-SC200 spring cassettes to allow you to mount a non-sprung handle on a display board and not have the lever sag.



CX-SC300

PART NUMBER	PRODUCT DESCRIPTION	UNITS
CX-SC200	Spring cassettes for Lever door handles on Display Boards	Each
CX-SC300	60mm spindle for Display Board spring cassette	Each

Spindle Housing Block

- Black plastic spindle housing block for use on customer display boards to take the slack out of window handles.



PART NUMBER	PRODUCT DESCRIPTION	UNITS
CX-SHB	7 x 7mm Spindle housing block	Each

Spring Cassettes

- Spring cassettes are used to give the multipoint door handle a mechanism to return to a horizontal park position.
- These will not work on every unsprung handle due to the space requirements in the backplate, please check the sizes stated to see if they will work.



PART NUMBER	PRODUCT DESCRIPTION	UNITS
FX-MHP60-CASSETTE	Spring Cassette for MHP60 Handles	Each

Kuhlen MHP60 Handle Fixing Pack

- Kuhlen Handle fixing pack for MHP60 stainless steel handles including screws, spring cassettes with sleeves, and the door spindle.



PART NUMBER	PRODUCT DESCRIPTION	FINISH	UNITS
CX-MHP60-FIX-SS	Kuhlen MHP60 handle fixing pack	SSS	Pack
CX-MHP60-FIX-SV		SV	Pack
CX-MHP60-FIX-GD		GD	Pack

Standard Square Door Spindles

- For use with sprung & unsprung lever handles and knobs.



PART NUMBER	PRODUCT DESCRIPTION	FINISH	UNITS
FX-SP120-SQ-ZP	8 x 8 x 120mm standard square	ZP	Each
FX-SP130-SQ-ZP	8 x 8 x 130mm standard square	ZP	Each
FX-SP150-SQ-USS	8 x 8 x 150mm standard square	USS	Each

Square Dished Cut Spindles

- Cut and dished both ends



FX-SP125-DC2

FX-SP110-D2

PART NUMBER	PRODUCT DESCRIPTION	FINISH	UNITS
FX-SP110-D2-ZP	8 x 8 x 110mm Dished slot type	ZP	Each
FX-SP125-DC2-ZP	8 x 8 x 125mm Dished slot type	ZP	Each
FX-SP190-DC2-ZP	8 x 8 x 190mm Dished slot type	ZP	Each

Square Dished & Ears Spindles

- Ear and dished slot type



PART NUMBER	PRODUCT DESCRIPTION	FINISH	UNITS
FX-SP115-DC1E-ZP	8mm X 8mm Ear & Dished Slot Type - 115mm Long	ZP	Each
FX-SP135-DC1E-ZP	8mm X 8mm Ear & Dished Slot Type - 135mm Long	ZP	Each

Spindle Increaser

To increase a spindle size from 7mm to 8mm.



PART NUMBER	PRODUCT DESCRIPTION	FINISH	UNITS
FX-SP7030-SV	7mm to 8mm x 30mm Spindle increaser	SV	Each



Senco Bow Pinner 7mm

- Senco Bow Pinner glazing brad nailer.
- Ideal for use as a secret nailer on glazing beads e.g. Durodeen.
- Easy side-loading that allows you to change brad length without adjusting the tool, plus E-Z Clear jam clearance.
- Reduces operator fatigue by its comfort-grip handle and the best balance and lowest recoil in the industry.
- Superior power (40% more than comparable tools) makes it suitable for use on hardwood, plastics, and particleboard.
- Oil-free design means easier maintenance and no lubrication to stain fine wood.
- Precision-firing keeps the work surface free of damage.
- Rugged composition enables the magazine to withstand on-the-job stress.
- Comes complete in its own heavy-duty plastic case.
- Muffler ensures quieter operation.



PART NUMBER	PRODUCT DESCRIPTION	UNITS
TOOL-485	Senco Bow Pinner 7mm	Each
FX-620-SS	Stainless steel 20mm long pin, 18-gauge	Box 5000
FX-625-SS	Stainless steel 25mm long pin, 18-gauge	Box 5000



3 Headed Espagnolette Handle Drill Kit

- Helps you achieve perfect alignment when pre-drilling screw holes for handles.
- Works with wood, aluminium & PVC.
- Can be used with hand drill or pillar drill
- Complete with 2 x 10mm and 1 x 14mm Lip & Spur drills

PART NUMBER	PRODUCT DESCRIPTION	UNITS
TOOL-ESPJIG-KIT	3 Headed espagnolette handle drill kit	Each

Door & Window Multi Tool

- Multi-tool removes the need to insert the handle and keep taking it off and on to operate the window, door or Tilt & Turn-lock while setting them up for installation or while carrying out repairs.
- The tool includes a 7mm x 7mm handle spindle, 4mm Allen key, T15 Torx head spanner, 9mm spanner, oval cam head spanner, hook end catch and top hinge pin hook.



PART NUMBER	PRODUCT DESCRIPTION	UNITS
MA-TOOL	Door & window multi tool	Each

Cylinder & Multipoint Lock Tool

- The MLT20 Locksmiths Door Lock Euro Cylinder and spindle turner key
- A useful lock turner tool for operating both door mechanisms and locks quickly whilst carrying out installation and/or repair work.



PART NUMBER	PRODUCT DESCRIPTION	UNITS
MLT20	Cylinder & multipoint lock tool	Each

Multipoint Lock Adjusting Tool

- The MLT10 is a small hand T15 Torx type adjustment tool
- Used to adjust the keeps on multipoint door locks.



PART NUMBER	PRODUCT DESCRIPTION	UNITS
MLT10	T15 Torx adjustment tool	Each

Replacement Allen Keys



CX-2100



CX-380



CX-480

PART NUMBER	PRODUCT DESCRIPTION	UNITS
CX-2100	2mm x 100mm Replacement allen key - ball end	Each
CX-380	3mm x 80mm Replacement allen key	Each
CX-480	4mm x 80mm Replacement allen key	Each
CX-2580	2.5mm Hex allen key	Each

Heavy Duty 5m Tape Measure

- A 19mm wide blade 5-metre heavy-duty tape measure.
- Shock resistant / heavy-duty design, retractable with a thumb lock & belt clip.



PART NUMBER	PRODUCT DESCRIPTION	UNITS
TAPE-5	Heavy duty 5m tape measure	Each

Self-Centring Hinge Drill Bit

- Helps you achieve perfect alignment when pre-drilling screw holes for hinges
- Works with multiple countersunk head sizes - no need for 3 different sizes
- For use with HY3, HQ4, HQ45 & FH70 hinges
- Supplied complete with a spare drill bit and allen key.



PART NUMBER	PRODUCT DESCRIPTION	UNITS
TOOL-H34	Self-centring hinge drill bit	Each

FB Flushbolt Profiled Router Cutter

- This router cutter is specifically profiled for the Securefold flat bar flush bolts.
- Using this cutter will save time and allow the flush bolts to be installed effortlessly.



Note: Actual cutter supplied may look different from image shown

PART NUMBER	SIZE	UNITS
FBCUTTER	Router cutter for FB flushbolt	Each



DOOR AND WINDOW TOOLING

DOOR AND WINDOW TOOLING

Due to issues caused from mis-machining and incorrect tolerances with tooling supplied to customers, we have made the decision to provide the correct tooling to machine for our supplied hardware.

Speed up your joinery manufacturing process and overcome the challenge of labour supply with our tooling solutions.

Prevent errors and ensure accuracy in production every time to harmonise with the hardware we supply.

Benefit from:

- Superior finish to your joinery
- Flexibility to work around existing machinery
- Work with your existing profiles
- Optional soft form
- Sleeved tooling
- Available in 30mm and 31.75mm bore for spindle moulder
- Also available for CNC



FREE TOOLING CONSULTATION

With every joiner's requirements often bespoke, an off-the-shelf system isn't always the best solution. We recommend a free consultation with our tooling experts to ensure your investment has been tailored around your business plan.

As a result of the diagnostic conversation, we often incorporate a second function to a cutter block at a little extra cost, which, had this conversation not been had, would have been a significant additional future costs.

Email sales@coastal-group.com to request your free tooling consultation.



"We are very pleased with our tooling, it has cut production time and increased quality of our window systems.

We especially like our Horn detail tooling, perfect sash horns every time in a fraction of the time. Our customers have been really impressed with the quality of their new windows and doors."

"I would 100% recommend Coastal for their tooling.

Their service was quick and flawless, they even took the time to come out and run the tooling with us, ensuring everything was correct"

Zero Set Tooling Explained

By manufacturing your tooling to the same datum, i.e. spindle height and fence position, we can supply a once-only set-up, allowing you to jump from tool to tool without changing settings. This brings you huge time saving benefits and a reduction in the potential for errors.

Also eliminates the need for expensive programmable spindle moulders!

Below is a pictorial explanation of how the initial tool setting up is done.



Setting Gauge is placed on the bottom of the spindle shaft with the logo in the up position to determine the bed height as shown above.



Setting Gauge is then removed and turned over and this becomes the setting point for the fences.

Setting Gauge

- Allows you to align your tooling to a set datum.

PART NUMBER	PRODUCT DESCRIPTION	BORE SIZE
DWT-31193	DWT setting gauge 120mm diameter, 10mm bed	30mm
DWT-31194		31.75mm



TOOLING HIRE

Coastal recognise that some systems don't always justify the investment required for the tooling. However, these are often the projects where errors are made.

We highly recommend asking us for a quotation to hire the tooling for these instances, which you can then build into your quote for the job.

Look out for the 'HIRE ME' icon on the tooling that is available for hire and email sales@coastal-group.com for more information.



WINDOW TOOLING

- Flexibility to work around existing machinery.
- Work with your existing profiles.
- Optional soft form.
- Sleeved Tooling – reducing set up issues
- Steel body for durability.
- Shear cut replaceable tungsten carbide knives.
- Ultimate finish to profiles, no sanding required.
- Constant diameter - no tolerance issues with production.
- Available in 30mm and 31.75mm bore sizes (other sizes available upon request).



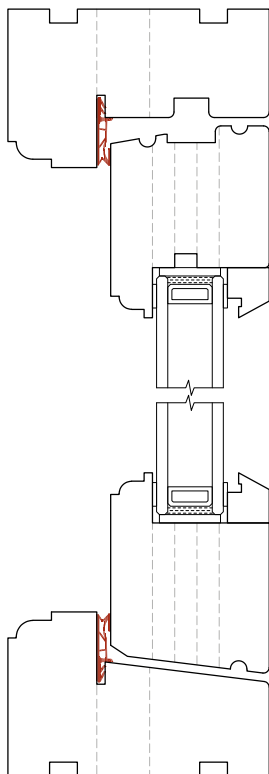
DOOR & WINDOW TOOLING

Tritus Flush Casement Window

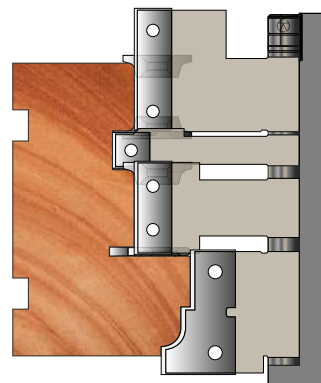
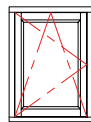
- Tritus is an excellent traditional flush case window backed with PAS24 security rating.
- Retains the traditional look but with a fast, foolproof hardware set-up groove system.
- We can supply from full CNC systems down to 1 or 2 blocks for the spindle - incorporating whatever mould profiles you require.



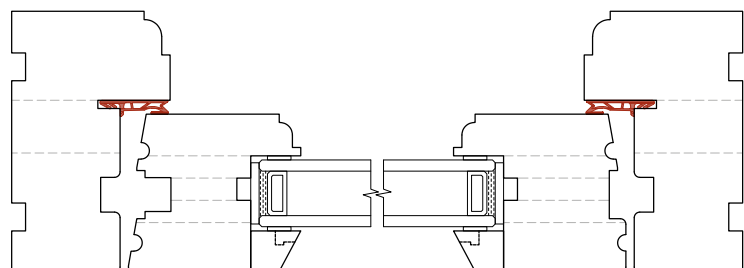
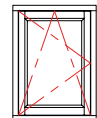
FREE Consultation!
Email: sales@coastal-group.com



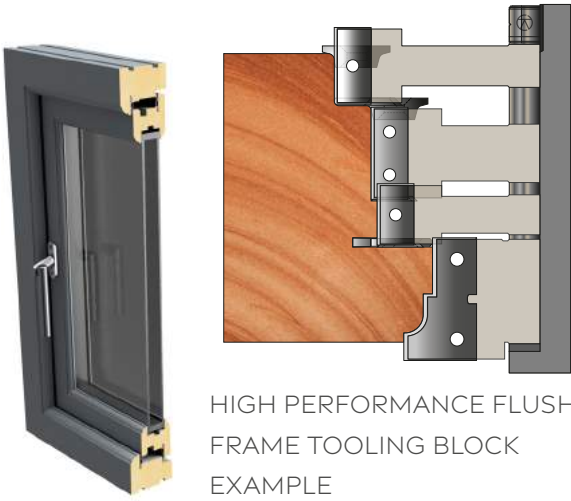
TRITUS WINDOW SYSTEM
Vertical Section



TRITUS FRAME TOOLING
BLOCK EXAMPLE



TRITUS WINDOW SYSTEM
Horizontal Section



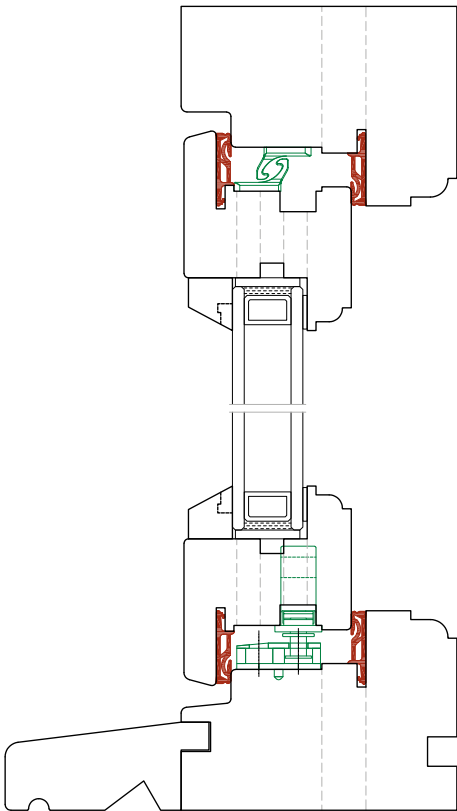
HIGH PERFORMANCE FLUSH
FRAME TOOLING BLOCK
EXAMPLE

High Performance Flush Casement Window

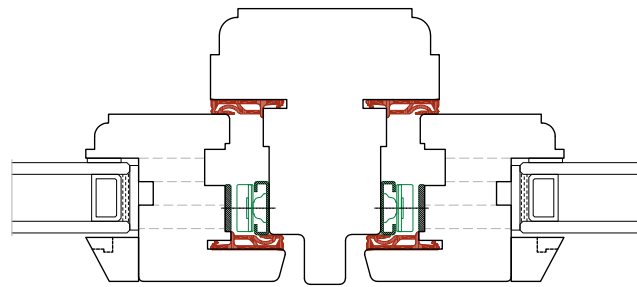
- Our High-Performance window provides ultimate weather and acoustic properties backed with PAS24 security rating.
- We can supply from full CNC systems down to 1 or 2 blocks for the spindle - incorporating your bespoke mould profiles if required.

FREE Consultation!

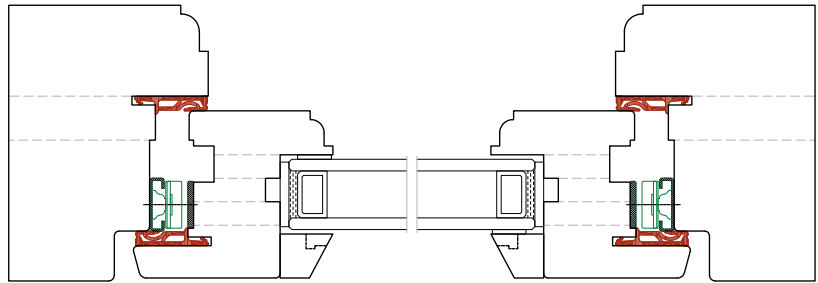
Email: sales@coastal-group.com



HIGH PERFORMANCE FLUSH WINDOW SYSTEM
VERTICAL SECTIONS



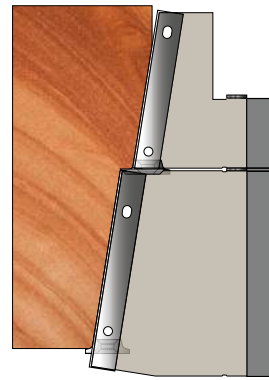
HIGH PERFORMANCE FLUSH WINDOW SYSTEM
MULLION



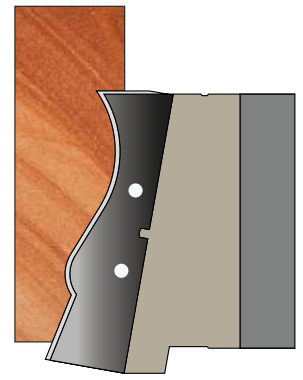
HIGH PERFORMANCE FLUSH WINDOW SYSTEM
HORIZONTAL SECTION

Sliding Sash Window

- Sliding Sash tooling is available to work with our Part Q system.
- We can supply from full CNC systems down to 1 or 2 blocks for the spindle - incorporating whatever mould profiles you require.
- Suitable for spiral balance or weight systems.



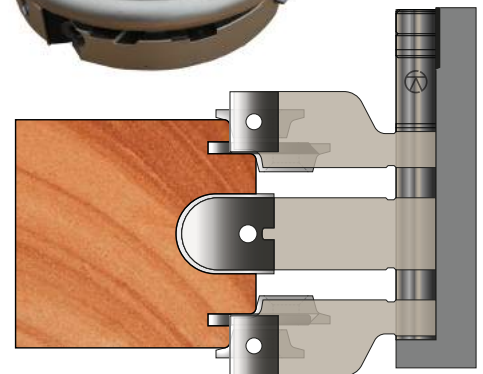
SILL TOOL



HORN TOOL

SP5920 Sliding Sash Weatherseal and Spiral Balance Tool

- Block can machine 57mm and 45mm sections with or without spiral groove.



PART NUMBER	PRODUCT DESCRIPTION	BORE SIZE
DWT-32425	Sleeved Tool complete with removable R10 spiral groover	30mm
DWT-32427		31.75mm

SP5920 Router Cutter

- Router cutter for SP5920 Deventer Sliding Sash Flipper Seal



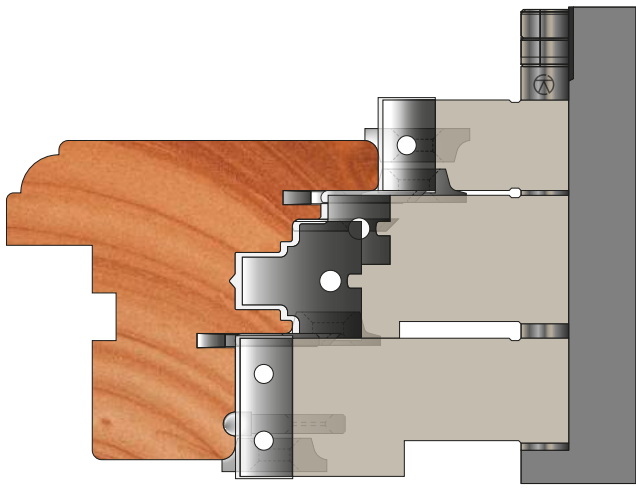
PART NUMBER	PRODUCT DESCRIPTION	UNITS
CUTTER-SP5920	SP5920 Router cutter	Each



FREE Consultation!

Email: sales@coastal-group.com



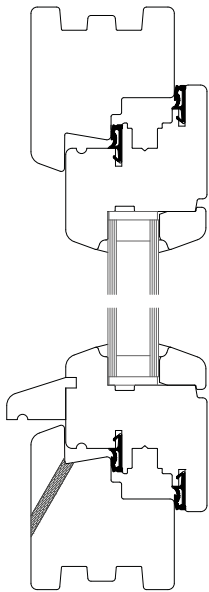


Tilt & Turn Window

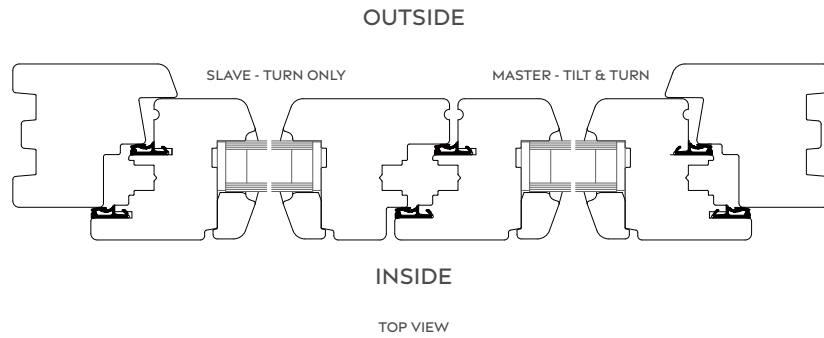
- One sash profile and one frame profile, with only a slight modification for double sashes, make it quicker to set up and machined.
- Please speak to one of our technical team for more information.

FREE Consultation!

Email: sales@coastal-group.com



SIDE VIEW



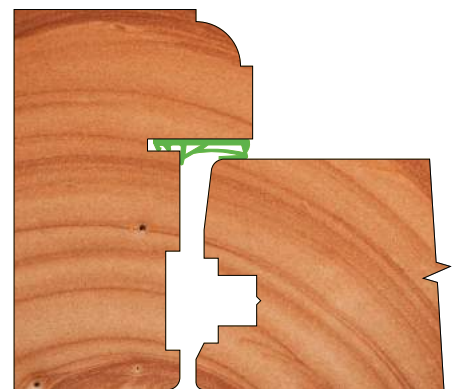
DOOR TOOLING

- Sleeved tooling – reducing set up issues.
- Steel Body for durability.
- Shear cut replaceable tungsten carbide knives.
- Ultimate finish to profiles - no requirement for sanding.
- Constant diameter - no tolerance issues with production.
- Available in 30mm and 31.75mm bore sizes (other sizes available upon request).



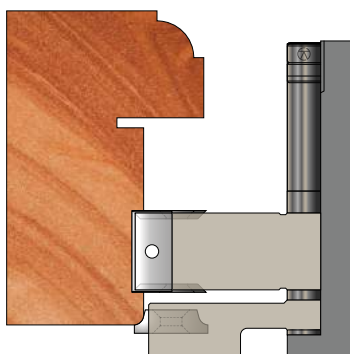
Universal Door Tooling

- Sets correct clearance gap for optimum performance on our range of Winkhaus Multipoint Door Locks whilst maintaining the 3-4mm clearance gap we like to see in traditional joinery.
- Provides allowance for greater tolerance in door movement.
- Machines for perfect long term functionality of Winkhaus automatic locks.
- Ensures smoother operating forces for both handle and key operated locks as keep locates at the start of the taper. As soon as you turn the handle, compression is released making it easy to operate.
- Guarantees consistent lock position on the door (makes it easier for ordering cylinder and ensures correct compression points).
- Further accuracy can be gained when Single Door Edge Tool is used in conjunction with the One-Piece Keep frame tool.



One-Piece Keep

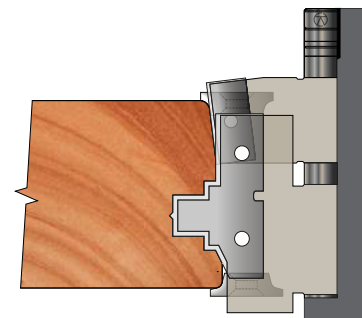
- Block can machine a 22mm or 28.5mm centre line for keeps.



PART NUMBER	PRODUCT DESCRIPTION	BORE SIZE
DWT-32447	One Piece Keep Tool 22mm & 28.5mm centre line	30mm
DWT-32448		31.75mm

Single Door Edge

- Block can machine 57mm and 68mm sections with either a 22mm or 28.5mm centre line for lock.



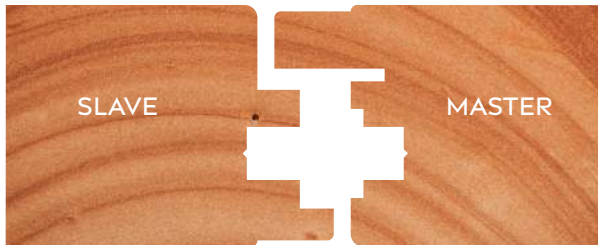
PART NUMBER	PRODUCT DESCRIPTION	BORE SIZE
DWT-33785	Universal Single Door Tool 22mm & 28.5mm centre line	30mm
DWT-33787		31.75mm

Single Rebate - Double Door Tooling for Single (Solo) or Twin (Klone) Handles

Benefits of a Double Rebate Door

- One time set up for both master and slave details.
- Traditional looking stiles with shadow rebate to give a balanced look.
- Thicker edge to section (less vulnerable).
- Ties in with single door solution from 1 set up.
- Single door detail works with ' Slam Lock ' products.
- Offset cylinders are the same on single and double doors.
- 2 options for Solo and Klone.
- 18mm rebate for optimum gasket coverage.

Single Rebate - Solo (Single Handle)

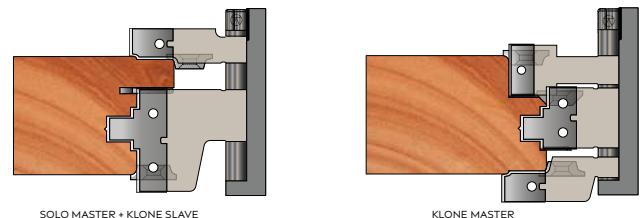
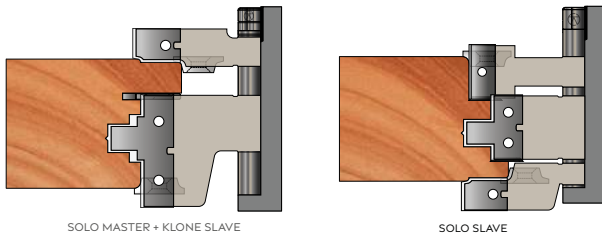


SINGLE REBATE (SOLO)

Single Rebate - Klone (Double Handle)



SINGLE REBATE (KLONE)



PART NUMBER	PRODUCT DESCRIPTION	BORE SIZE
DWT-33602	Single Rebate Solo Master	30mm
DWT-35024		31.75mm
DWT-33603	Single Rebate Solo Slave	30mm
DWT-31535		31.75mm

PART NUMBER	PRODUCT DESCRIPTION	BORE SIZE
DWT-35022	Single Rebate Klone Master	30mm
DWT-30686		31.75mm
DWT-35023	Single Rebate Klone Slave	30mm
DWT-30685		31.75mm

As one of our customers said:

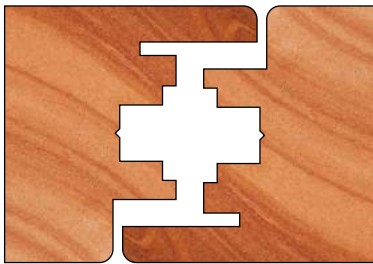
"The main benefits we've found are how easy the block is to use and the increase in quality of the finished product. It's had such a positive impact that we're now using the locking system on all of our French doors."



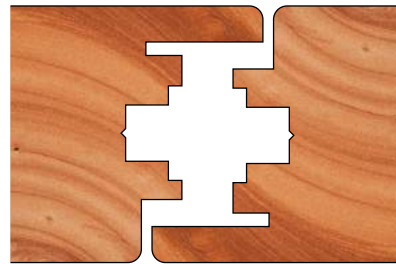
Double Rebate - Double Door Tooling for Single (Solo) or Twin (Klone) Handles

Benefits of a Double Rebate Door

- Double gasket for extra weatherproofing.
- Enhances the acoustic properties of your door.
- Mirror image profile (1 Set up no change).
- Cylinders are located central to the doors.
- Same tooling detail for both master and slave door.
- Lock hardware detail hidden in rebate.
- 2 Double door options (Single/Twin handle).



DOUBLE DOOR - KLONE
DOUBLE REBATE



DOUBLE DOOR - SOLO
DOUBLE REBATE

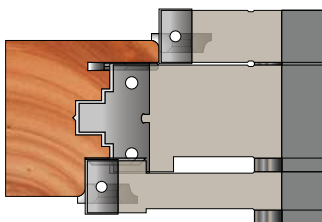
3-in-1 Tool

Tooling to simplify, deskill and speed up the whole machining process for double doors with a multipoint lock.

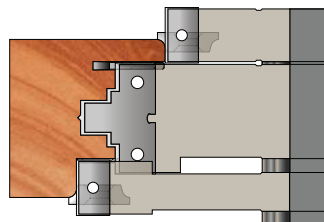
- One pass operation.
- Same tooling for master and slave doors.
- Replaceable Tungsten Carbide tips for constant diameter tooling.
- Shear cut knives provide an optimum perfect finish to the point where no sanding is required.
- Tooling solution for our French door (Solo & Klone) double rebated multipoint lock system with the flexibility of separating the cutter head to use for a single door.



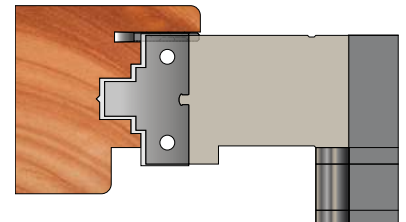
PART NUMBER	PRODUCT DESCRIPTION	BORE SIZE
DWT-3IN1-30	3-in-1 Tool	30mm
DWT-3IN1-32		31.75mm



Solo Double Door -
Double Rebate



Klone Double Door -
Double Rebate



Multipoint Lock Groove

Inowa Straight Sliding Door System



- Roto Patio Inowa is mainly set apart by its innovative closing movement pulling the sliding sash perpendicular to the frame profile.
- Features slim profiles to maximise glazing.
- Please speak to one of our technical team for more information on tooling for this system.



FREE Consultation!

Email: sales@coastal-group.com



HS Portal V4 Comfort Unit Lift & Slide Door System Tooling

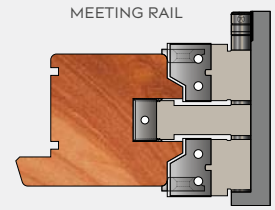
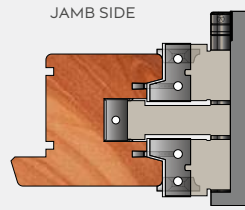
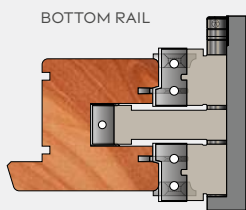
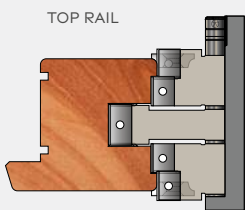


- Transform your Lift & Slide manufacturing into an easy and efficient process.
- Ensures accuracy, consistency and speed.
- Easy machine set up with the same height and fence setting for all three profiles.
- Benefit from single pass machining.

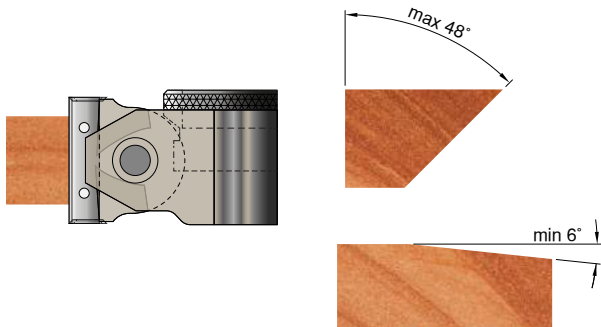
PART NUMBER	PRODUCT DESCRIPTION	BORE SIZE
DWT-33014	V4 Lift & Slide Bottom Rail Tool (D)	30mm
DWT-33018		31.75mm
DWT-33013	V4 Lift & Slide Top Rail Tool (E)	30mm
DWT-33017		31.75mm
DWT-33011	V4 Lift & Slide Jamb Tool (F)	30mm
DWT-33015		31.75mm
DWT-33012	V4 Lift & Slide Meeting Rail Tool (P) - Only required for Schemes C, F and L (where there is a pair of meeting doors)	30mm
DWT-33016		31.75mm

FREE Consultation!

Email: sales@coastal-group.com



Standard Tooling



Adjustable Vari-Angle Cutter Block

- Dial adjustable vari-angle tool making angle setting quick and precise.
- 50mm max cutting width.
- Saves time and increases accuracy and productivity.
- Complete with spur cutters allowing this tool to be used as a rebate block
- Replaceable Tungsten Carbide tips.
- Available in various bore sizes.

PART NUMBER	PRODUCT DESCRIPTION	BORE SIZE
DWT-30641	Adjustable Vari-Angle Cutter Block	30mm
DWT-30642		31.75mm



Guide Bush and Bearing Ring

- 120mm Diameter Guide Bush and Bearing Ring.
- Allows ring fence work to be run with profiling tooling.

PART NUMBER	PRODUCT DESCRIPTION	BORE SIZE
DWT-35044	120mm Diameter Guide Bush and Bearing Ring	30mm
DWT-35045		31.75mm



HARDWARE CARE & MAINTENANCE

General Hardware Care and Maintenance

During installation and whilst building work is being carried out the hardware should be covered to protect it from dust, dirt and scratching.

Immediately after fitting and installation

- Product should be cleaned using a soft cloth and mild soapy water then dried immediately with a clean, soft cloth.

Monthly Care and Maintenance

- Clean regularly with a soft, dry cloth or duster.
- Rubbing or wiping should be carried out in the direction of the polish/finishing lines, not across them.
- Product should be washed monthly using a soft cloth and mild soapy water then dried immediately with a clean, soft cloth - especially if fitted on or near the coast.
- Fingerprints can be removed by washing the product as above.
- If this is a DURATIQUETM product or a product with a powder coated finish such as Oil Rubbed Bronze (ORB) or Matt Smooth Black (MSB) then the above procedure should be followed with an application of good quality, non-abrasive car wax polish, gently applied, to protect the finish.

Six Monthly Care and Maintenance

- Only if the product has a polished stainless steel or satin stainless steel finish should our DR121 Stainless Steel Renovation Kit be used at least every six months to help maintain this product in pristine condition.
- Lubricate any moving parts with a suitable PTFE Grease such as GLS200.
- DR121 Stainless Steel Renovation Kit and GLS200 are available from www.coastal-group.com.

Please Note

- DO NOT use oily rags or greasy cloths when wiping the product surface.
- DO NOT use bleach, abrasive cleaners, caustic or acid based cleaning materials, or detergents containing chloride, or any other strong household cleaning products.
- DO NOT use abrasive materials, files or other hard objects against the product surface.
- This product should be protected from dust and dirt during any construction work.
- PVD coatings may fingerprint so we suggest during installation of the product that you handle it with clean gloves or cloths to guard against stains or fingerprints. Fingerprints can be removed by washing the product with a mild soap and water solution, and then dried.
- If a softer metal such as a ring or a key marks the surface, it is possible some of this metal may have been left on the PVD coated surface. In this case use a soft cloth and mild, non-acidic cleaner to remove the soft metal deposit.



What Is Tea Staining? It Isn't Rust!

Like all materials unless cared for properly, stainless steel will become stained or discoloured over time. Tea staining is when the surface of the stainless steel is discoloured by corrosion. It is a cosmetic issue that takes place on contaminants on the surface of the steel, it does not affect the structural integrity or lifetime of the material.

WHY DOES TEA STAINING OCCUR?

A number of key factors promote tea staining occurring such as:

1. Presence of corrosive substances

Saline air causes sea salt to form on the surface of the stainless steel and is one of the major causes of tea staining. Sea salt remains damp until a very low relative humidity meaning the hardware surface stays damp (corroding) for longer with sea salt. Industrial pollutants in the air could also make conditions even more aggressive.

2. Atmospheric conditions

In an atmosphere of high humidity, combined with high temperature conditions become worse and occurrences of tea staining increase. The high humidity creates a film of moisture that dissolves the salt deposits and creates a corrosive solution on the surface of the hardware.

3. Rough hardware surface

Salt can become trapped in deep grooves or metal folds on the surface of the hardware making these areas more likely to corrode. When the surface dries the salts become concentrated, making conditions more aggressive. The deeper the groove the more trapped water (and salt) there is.

4. Using the wrong grade of stainless steel

There are many grades of stainless steel each with different chemical compositions. 304 and 316 grade are two of the most common. The main differences between 304 and 316 is the percentage of Chromium, Molybdenum and Nickel. 316 stainless steel contains higher percentages of Molybdenum and Nickel which increases its strength and corrosion resistance. Our BLU™ range of hardware is made from 316 Marine Grade Stainless Steel.



THE SOLUTION TO TEA STAINING

The solution is relatively simple:

1. Use the right hardware for the application - ie. 316 Stainless Steel hardware such as our BLU™ range, which:

- is made from 316 Marine Grade Stainless Steel to provide the best resistance to corrosion.
- undergoes an extra finishing process to provide a unique 'super satin' surface finish - this is much smoother than many other satin finished hardware products on the market. The smoother surface means less chance of corrosive substances becoming trapped on the surface.

2. Keep the hardware cleaned and maintained:

As the name states, it is 'stain less' not 'stain free'. For optimum performance, hardware should be cleaned after fitting and at least every 6 months once in use, or bi-monthly if located in a highly corrosive environment such as on or near the coast. Our BLU™ DR121 is a 100% organic deep cleaner which removes contaminants and tea staining in a single operation. Regular use of the DR121 cleaner followed up by an application of the DR121 Conditioner will keep stainless steel looking like new for years to come. You can purchase the DR121 Cleaning Kit from our website www.coastal-group.com.



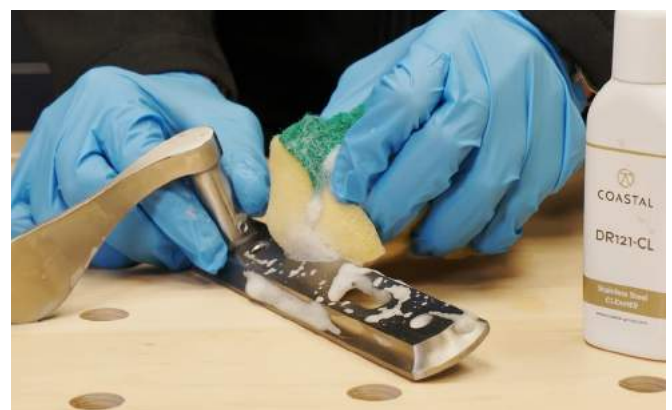
View Video

Stainless Steel Renovation Kit

- The kit includes 100ml stainless steel cleaner solution, 100ml stainless steel conditioner, application pad and gloves.
- The DR121 cleaner is a liquid solution that cleans and polishes, removing contamination, tarnish, tea staining, surface rust and on-site dust and dirt without attacking the metal.
- Recommended for use on raw, satin or polished stainless steel only.
- Used regularly, it keeps stainless steel hardware sparkling clean and looking like new.
- Essential for keeping hardware cleaned and maintained that is fitted on property situated on or near the coast.
- DR121-CO is a neutral liquid conditioner cleaner for use after the metal surface has been cleaned with DR121-CL cleaner.
- The conditioner can also be used for daily cleaning and maintenance of slightly soiled metal surfaces.
- Note the white (scrubbing) side of the sponge is only suitable for use on raw/satin stainless steel and only in the direction of the finishing brush lines on the steel.



PART NUMBER	PRODUCT DESCRIPTION	UNITS
DR121	Stainless steel renovation kit	Per kit
DR121-CL	Stainless steel cleaner only - 100ml	Each



Multipoint Lock and Espagnolette Bolt Care and Maintenance

The requirement for maintenance is totally dependent on usage and environment, i.e. In areas of high dust or corrosive atmospheres, the requirement for lubrication will be more frequent than normal.

Over time the gearing in the multipoint lock or espag bolts can become dried out or clogged up with dirt and grime. This makes the handle difficult to move up and down and the lock hard to operate and lock.

A regular application of our GLS200 lubricant spray into the apertures of the bolts/latches and gearing mechanism will help resolve this and prevent from happening in the future. In normal usage Bi-annual application would be more than sufficient but in areas of high dust or corrosive atmospheres this will need carried out more frequently.

To prevent any damaging effect to the corrosion protection of fittings, only PER neutral cleaning and care agents should be used, which do not contain any abrasives.

We also strongly recommend that the door or window set is checked over for any movement, swelling or distortion of either sash or frame, if necessary check for debris of any kind interfering with any of the moving parts behind the mechanism itself. This operation will require the mechanism to be removed and replaced by a competent person. Any loose or missing fixing screws should be tightened or replaced as required.

Under no circumstances should any aspect of the lock or cylinder be tampered with in any way, as this may affect both the serviceable life and guarantee.

General Lubricant Spray

- A fully synthetic PTFE grease which protects and lubricates with a clean, non-toxic, anti-corrosive shield.
- It is a totally water and salt resistant grease which can be used inside and out in multiple applications and on metal, wood and plastics.
- Ideal as a multi-use lubricant for regular maintenance of lever handles, locks and espag bolts.



PART NUMBER	PRODUCT DESCRIPTION	UNITS
GLS200	General lubricant spray - 200ml	Each

KABA Euro Profile Cylinder Care And Maintenance Guide

Regular Maintenance:

The benefit of regular maintenance of a locking system is generally underestimated, even though essential for continuous functioning of each locking mechanism. Regular and preventative maintenance should be carried out using KABA cleaner spray. This has been specially developed for the cleaning and maintenance of cylinder locks and for protection against corrosion.

Other fluids and aerosol lubricants should not be used in the cylinder as they can lead to corrosion issues.



Cylinder Cleaner & Lubricating Spray

- Cleans, lubricates and maintains your door cylinder and helps hinder corrosion.
- Prevents accumulated residue inside the key slot and on keys.
- Prevents premature wear and tear of the cylinder.
- Regular cleaning maintains the functionality of the KABA cylinder for longer.
- Easy to use.
- Environmentally friendly.



PART NUMBER	PRODUCT DESCRIPTION	UNITS
CL60	Cylinder cleaner & lubricating spray - 60ml	Each

Hardware Care & Maintenance Pack

Make it easy for your customer to care for their new door with this hardware care and maintenance pack.

Why not stand out from the competition and include one of these packs with each door you sell.

PART NUMBER	PRODUCT DESCRIPTION	UNITS
HCM-KIT-A	Hardware care & maintenance pack - KIT A	Kit
HCM-KIT-B	Hardware care & maintenance pack - KIT B	Kit



HCM-KIT-A pack includes:

- DR121 Stainless Steel Renovation Kit
- GLS200 General Lubricant Spray
- CL60 Cylinder Cleaner and Lubricant
- MFC Cloth
- MLT10 Multipoint Lock Adjustment Tool

HCM-KIT-B Pack includes:

- GLS200 General Lubricant Spray
- CL60 Cylinder Cleaner and Lubricant
- MLT10 Multipoint Lock Adjustment Tool

Showing a multipoint lock after being fitted in Accoya - one treated with CoastGard and one untreated.

Multipoint lock treated with CoastGard

Untreated multipoint lock

CoastGard™ Corrosion Protection System

Helps protect hardware such as multipoint door locks and window espagnolette bolts from corroding when being fitted in acidic timber or coastal locations.

- CoastGard 1 (CPS-1) is a fully synthetic grease which penetrates all the moving hardware parts. It protects and lubricates the moving parts and ensures that the lacquer applied in step 3 does not stick the sliding surfaces together.



Complete three-part kit must be used for the system to work. Using the individual items on their own will not provide adequate protection. Available to purchase as a kit or individual items to replenish the kit.

- CoastGard 2 (CPS-2) is a non-flammable cleaner spray that flushes dirt, surface rust, grease and oil from the hardware.



PART NUMBER	PRODUCT DESCRIPTION	UNITS
CPS-KIT	Coastgard Corrosion Protection kit	Kit (3 cans)
CPS-1	PTFE Grease (CoastGard 1)	Each
CPS-2	Cleaner Spray (CoastGard 2)	Each
CPS-3	Acrylic Lacquer (CoastGard 3)	Each

- CoastGard 3 (CPS-3) is a fast-drying acrylic lacquer used to protect the hardware against mild acids, alkalis, salt spray and general weathering. It seals and protects the hardware leaving a smooth, transparent, scratch resistant film which is extremely tough and durable.



WINKHAUS Multipoint Lock Troubleshooting Guide

Whilst every effort is made to ensure trouble-free operation of the door locking system the table below may help to remedy any issues experienced.

To help diagnosis we firstly suggest checking full operation with the door open.

Winkhaus Lever Operated Locks - ML20, ML70S, ML60, ML66 & ML50 Troubleshooting Guide

SYMPTOMS	POSSIBLE CAUSE	SUGGESTED REMEDY
Door closing difficulty	Dry Latch	Apply light lubrication to the latch, aperture and keep contacting surface
Stiff to Lift Handle	Debris within the routing of the faceplate	Remove the lock and check
	Incorrectly adjusted keeps (Hooks, bolts or deadbolt could be hitting the frame)	Adjust keeps accordingly
	Excessive air gap to the lock side	Adjust the door leaf closer to the lock side (see door fitting guide)
	Poorly fitted door	Seek advice from qualified door fitter
Handle is drooping or does not retract the lock	The lock has suffered excessive load	Source a replacement lock
Door not latching (In secure mode)	Lock drive strip fouling on routing etc.	Locate and relieve cause
	Misaligned centre keep	Check centre lines (See door fitting guide)
	Door has dropped on its hinges	Adjust hinges accordingly
Door does not unlock	Door has dropped on its hinges	Adjust hinges accordingly

Winkhaus AV2 - ML120 & ML80 Troubleshooting Guide

SYMPTOMS	POSSIBLE CAUSE	SUGGESTED REMEDY
Door closing difficulty (appearing that the hooks are firing prematurely)	Dry contacting snibs	Apply light lubrication to the latch and aperture, operating snibs and lock hook box apertures and keep contacting surface
	Wide air gap to the lock side	Adjust the hinges to give an optimum 4mm gap between keep and lock face plate
As above with flush door	Keep strikes moving due to excessive routing	Pack beneath the strike plate
Stiff key operation	Door not latched correctly (This can be proven by temporarily holding the hooks back with a suitable tape)	Relieve pressure on the hooks by gently pulling on the door externally or pushing internally to operate
	Incorrectly adjusted keeps (The latch is the compression point, the hook sides should not contact the keeps)	Adjust keeps accordingly
	Deadbolt fouling within the keep	Adjust keeps accordingly
	Slow key operation, allowing the hooks to contact the keeps	Relieve pressure on the hooks by gently pulling on the door externally or pushing internally to operate
Unable to operate the locking system (blocked)	Hooks fouling inside the keeps. Door dropped or incorrectly positioned keeps	Attempt to lift the door leaf whilst operating the lock (see door fitting guide)
	Excessive air gap to the lock side	Adjust the door leaf closer to the lock side (see door fitting guide)
Hooks and latch not throwing	Lock drive strip fouling on routing etc	Locate and relieve cause

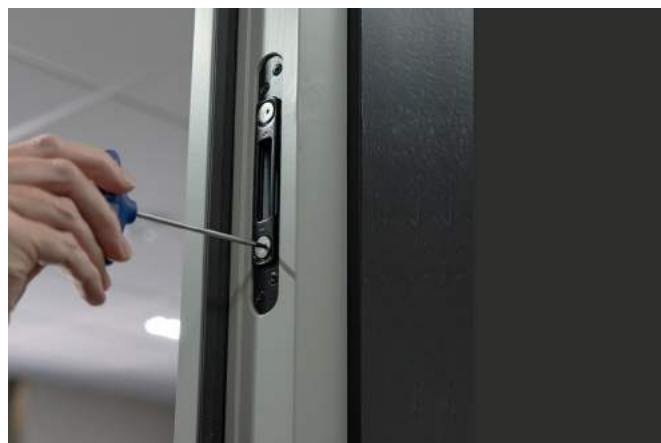
Winkhaus AV3 - ML3120 & ML480 Troubleshooting Guide

SYMPTOMS	POSSIBLE CAUSE	SUGGESTED REMEDY
Door closing difficulty	Dry Latch	Apply light lubrication (GLS200) to the latch, aperture and keep contacting surface
Stiff key operation	Door not latched correctly (This can be proven by temporarily holding the hooks back with a suitable tape)	Relieve pressure on the hooks by gently pulling on the door externally or pushing internally to operate
	Incorrectly adjusted keeps (The latch is the compression point, the hook sides should not contact the keeps)	Adjust centre keep accordingly
Unable to operate the locking system (Blocked)	Hooks fouling inside the keeps. Door dropped or incorrectly positioned keeps	Attempt to lift the door leaf whilst operating the lock (see door fitting guide)
	Excessive air gap to the lock side	Adjust the door leaf closer to the lock side (see door fitting guide)
Door not latching (In secure mode)	Lock drive strip fouling on routing etc	Locate and relieve cause
	Misaligned centre keep	Check centre lines (See door fitting guide).
	Magnet stuck in	Check operation
	TAFA day switch engaged	Disengage
Door not releasing (In passive mode - Day switch engaged)	Latch keep movement impeded	Check and relieve
	Air gap too tight (Triggering operating snib)	Adjust air gap

Following installation of your door it is sometimes necessary to adjust the keeps to maintain optimum operation and performance. This can be easily achieved using the **MLT10 T15 Torx Adjustment Tool**.

If your multipoint door lock is proving difficult to operate it could be the keeps are too close to the weatherseal side of the frame causing too great compression. In this instance adjust the keeps to move them further away from the weatherseal side of your door frame.

If wind and rain ingress past the weatherseal around your door frame then it will be necessary to increase the compression by adjusting the keeps so they move closer to the weatherseal on the door frame.



What Are The Hardware Considerations When Using Accoya®?



As quoted in the Accoya® Essential Hardware Guide “Accoya has a similar level to oak and western cedar, which in moist conditions, may accelerate water induced corrosion in metals”.

As a key component of the door or window itself, it's important to select suitable hardware, ensuring long lasting functionality and exceptional aesthetics that your doors and windows deserve.

Fixings

It's recommended that any screws or bolts exposed to moisture are made from stainless steel – including screws for hinges, locks, door handles and other door furniture.



Coastal's stainless steel screws are made from A2/304 Stainless steel, providing suitable protection from corrosion when used in conjunction with Accoya®.

Door Locks

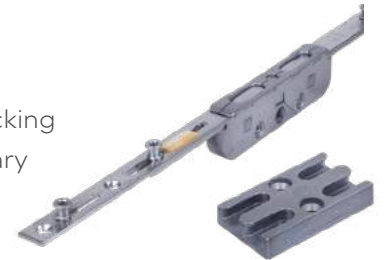
Working alongside our strategic partners Winkhaus and Accsys, Coastal highlighted an emerging customer requirement for product compatibility. Winkhaus locks have now been tested to EN 1670 corrosion protection Class 5 and are validated as being fit for purpose with Accoya.



Locks should be fitted in conjunction with Accoya® best practice guidelines.

Window Espag Bolts

For window espag bolts, including Tilt & Turn systems, the MACO Tricoat-Evo locking system is designed to deliver unrivalled corrosion resistance through revolutionary surface technology. Ideal for use where corrosion levels are high, as well as working with Accoya®.



External Door and Window Furniture

Best practice guidelines indicates that A4/316 Marine Grade Stainless Steel will provide the best resistance to damp, exposed or corrosive environments. To provide the best possible performance with Accoya® our BLU range of door and window hardware is manufactured from the finest 316 marine grade stainless steel and comes with a best-in-class lifetime guarantee.



BLU™ Door and Window Furniture

TERMS AND CONDITIONS

Cancellations

The Buyer may only cancel orders with the prior written consent of Coastal Specialist Ironmongery Ltd. We reserve the right to refuse cancellation of orders in all situations and in particular in the case where Goods are ready to be dispatched to the Buyer or have been dispatched to the Buyer. Coastal Specialist Ironmongery Ltd. will not accept the return of Goods where such Goods have been correctly supplied to the order of the Buyer. Coastal Specialist Ironmongery Ltd. may voluntarily agree to a return of Goods but this will only be with Coastal Specialist Ironmongery Ltd.'s consent and we will not in any event be obliged to accept the return of Goods. Where such a return of the Goods is voluntarily accepted by Coastal Specialist Ironmongery Ltd. there will be a handling charge of 10% of the purchase price of the products. It will be the Buyer's responsibility to return all Goods free from defect to Coastal Specialist Ironmongery Ltd. and cover the cost of all carriage where we have voluntarily agreed to accept the return of the Goods.

Damage or Loss in Transit, Shortages and Defects

1. Coastal Specialist Ironmongery Ltd. will, replace free of charge Goods damaged in transit, provided that the carrier and company receive written notice of such damage within TWO DAYS of delivery.
2. Without prejudice to the provisions of Condition 4, Goods should be checked against the Advice Note enclosed on receipt, and if received in a damaged or unsatisfactory condition, must be signed for as such.
3. Shortages must also be notified to the carrier and Coastal Specialist Ironmongery Ltd. within TWO DAYS of delivery, failing which no liability will be accepted. In the above cases, the packing and contents should be retained for inspection. Non-delivery of Goods must be reported in writing to Coastal Specialist Ironmongery Ltd. within TWO DAYS of receipt of invoice, or Advice Note, whichever is the earlier.
4. Any claim by the Buyer for any alleged shortages or any defect in the quality or condition of the Goods or their failure to correspond with specifications, shall (whether or not delivery is refused by the Buyer) be notified to Coastal Specialist Ironmongery Ltd. within 5 days of the date of delivery or (where the defect or failure was not apparent on reasonable inspection) within a reasonable time after discovery of the shortage, defect or failure, and must be accompanied by full particulars of case number, advice number, and conditions. Failure to comply with these requirements shall preclude the Buyer from making any claim against Coastal Specialist Ironmongery Ltd. If, notwithstanding the foregoing the Buyer accepts, and not notify Coastal Specialist Ironmongery Ltd. in accordance with this Condition 4, the Buyer shall not be entitled to reject the Goods and Coastal Specialist Ironmongery Ltd. shall have no liability for such defect or failure, and the Buyer shall be bound to pay the price as if the Goods had been delivered in accordance with the Contract. If Coastal Specialist Ironmongery Ltd. fails to deliver the Goods (or any instalment) for any reason other than any cause beyond Coastal Specialist Ironmongery Ltd.'s reasonable control or the Buyer's fault, and Coastal Specialist Ironmongery Ltd. is accordingly liable to the Buyer, Coastal Specialist Ironmongery Ltd.'s liability shall be limited to the excess (if any) of the cost to the Buyer (in the cheapest available market) of similar goods to replace those not delivered over the price of the Goods.
5. No return of Goods will be accepted by Coastal Specialist Ironmongery Ltd. at its warehouse without a prior authorisation number having been issued by us. Goods so returned shall be refused.



DOOR AND WINDOW

Inspirations

Share your projects with us and tag us on
[@coastal_group_hardware](#)



Follow us on Instagram for more inspiration.



Like to see your finished door and window projects feature on our website?

Send Hi-Res (original file) photos of your projects to:
marketing@coastal-group.com



COASTAL'S DOCUMENT Q APPROVAL SCHEME

Approved Document Q contains guidance on security in new dwellings, including measures taken to resist unauthorised access to any dwelling and any part of a building from which access can be gained to a flat within a building.

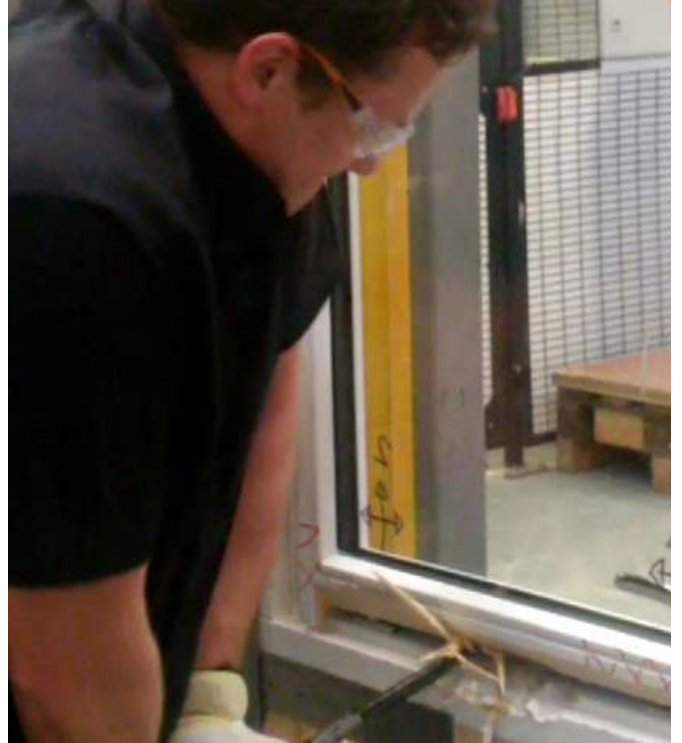
If you supply external doors and windows to new build, renovation or refurbishment projects which require planning permission then you need to comply with Part Q.



Don't lose out by not being able to supply Part Q certified doors and windows.

Achieving Part Q Certification for your doors and windows can be very expensive and time consuming, but not when you use Coastal's Part Q Scheme.

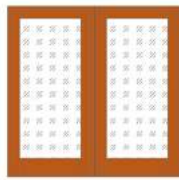
We're here to help you comply and supply Part Q certified doors and windows using our cascaded certification.



Single Door



Double Doors



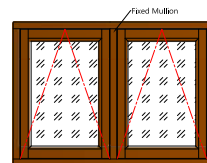
Folding Doors



High Performance Flush Casement Window (Side & Top Hung)



Tritus Flush Casement Window (Side & Top Hung)



Box Frame Sliding Sash Window



COASTAL's Approved Document Q Compliance Scheme covers Doors & Windows

Our ground-breaking Part Q compliance scheme enables you to use our own generic Part Q certified products to manufacture officially UKAS tested and certified doors and windows in line with PAS24, without you having to pay to have your own doors and windows tested.

Our High Performance Flush Casement Window certification has been successfully updated to the latest PAS 24:2022 standard with the rest following suit.

We've made it easy for you to sign up for our Part Q certification scheme in four easy stages.



SCAN QR code for more information.

MARKETING SUPPORT AND ASSISTANCE

We're passionate about helping our customers. Not only do we provide solutions for door and window hardware, we also help our customers to grow their business by giving them support and assistance on their marketing needs.

Coastal's marketing support includes:

- Posters
- Brochures
- High quality product imagery and videos

These are available for you to use in your brochures, on your website and on your product configurators and quoting software.

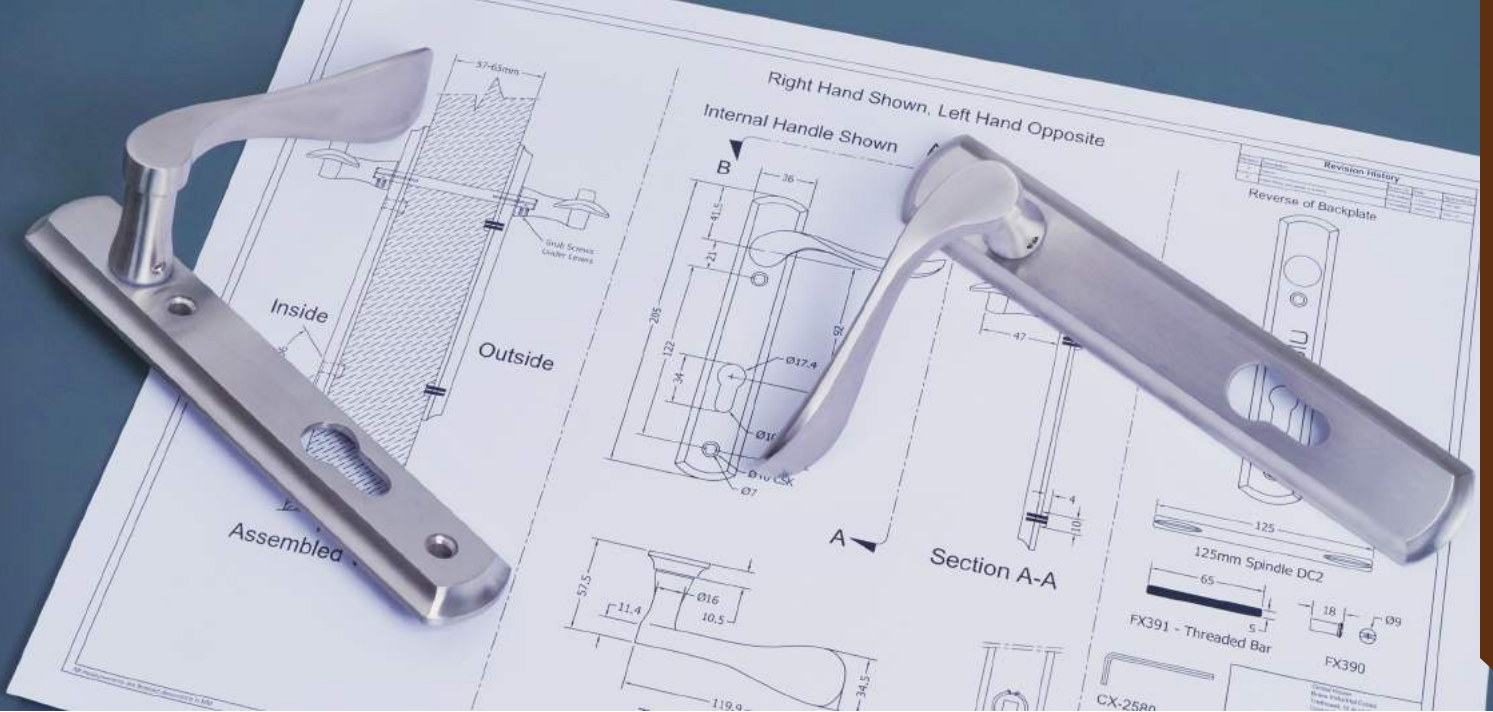
Take advantage of them when providing options and quotations to your customer.



Posters



Brochures



We've invested in a whole range of resources designed to help you - from diagrams to help you choose the correct hardware, to guides which assist with your manufacturing:

- Technical Data Sheets
- Detailed CAD Drawings
- Fitting Guides and How to Videos

and much more...

Available from our website coastal-group.com or email sales@coastal-group.com.



HARDWARE SALES DISPLAYS

It has been proven that having a focussed range of quality suited hardware, which your customer can see and feel, simplifies and speeds up the selection process.

Let the hardware do the talking with our range of Display Boards and Cases.

Product Display Boards

- Ideal for showrooms.
- Available in 4 different sizes.
- Boards fitted with hardware of your choice from our range.



CLASSIC

CONTEMPORARY

ANTIQUE



Product Display Cases

- Ideal for client visits.
- Currently available in Classic Entrance Door Range and Regent Door and Window Handle Range.



CLASSIC

REGENT



Contact sales@coastal-group.com or 01726 871 025 to discuss options.

We're here to help you:

SALES AND SUPPORT

For placing orders, requesting a quote, website login, credit account or any technical queries - sales@coastal-group.com or 01726 871 025.

BUSINESS DEVELOPMENT

To request a product demo, discuss a new product or ideas for developing your business by video call or a visit to your premises or our Brand Centre - sales@coastal-group.com or 01726 871 025.

FINANCE

For accounts queries - accounts@coastal-group.com or 01726 871 732.

For your ongoing support

Visit our Brand Centre

Looking for inspiration to develop new door or window ranges? Like to see and feel the quality of our product? Or have a bespoke project you'd like to discuss?

Visit us in our Brand Centre where we have a whole range of door and window hardware and production models on display for you to try for yourself.



BRAND CENTRE



Shaping the future.



COASTAL

COASTAL GROUP

Head Office: Global House, Bojea Industrial Estate, St Austell, Cornwall, PL25 5RJ, UK
T 01726 871 025 E sales@coastal-group.com W coastal-group.com

Follow us on:

