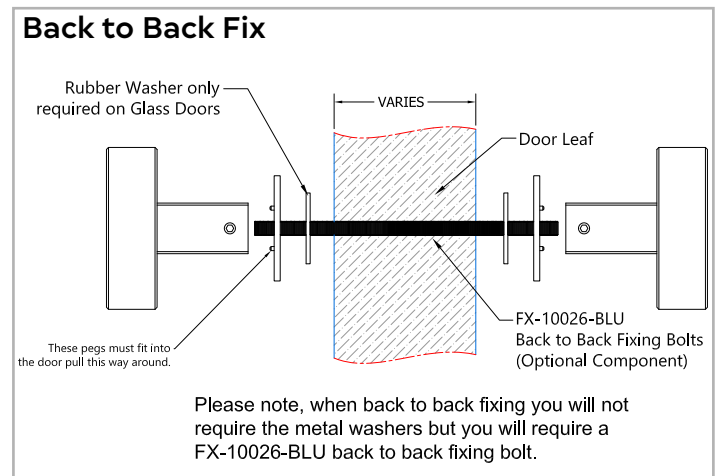
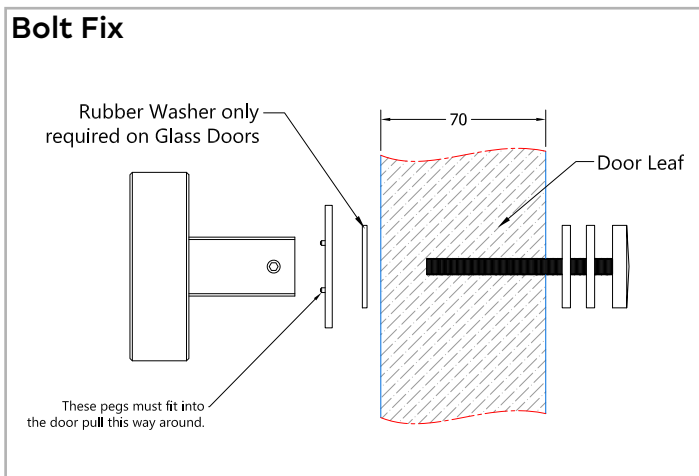
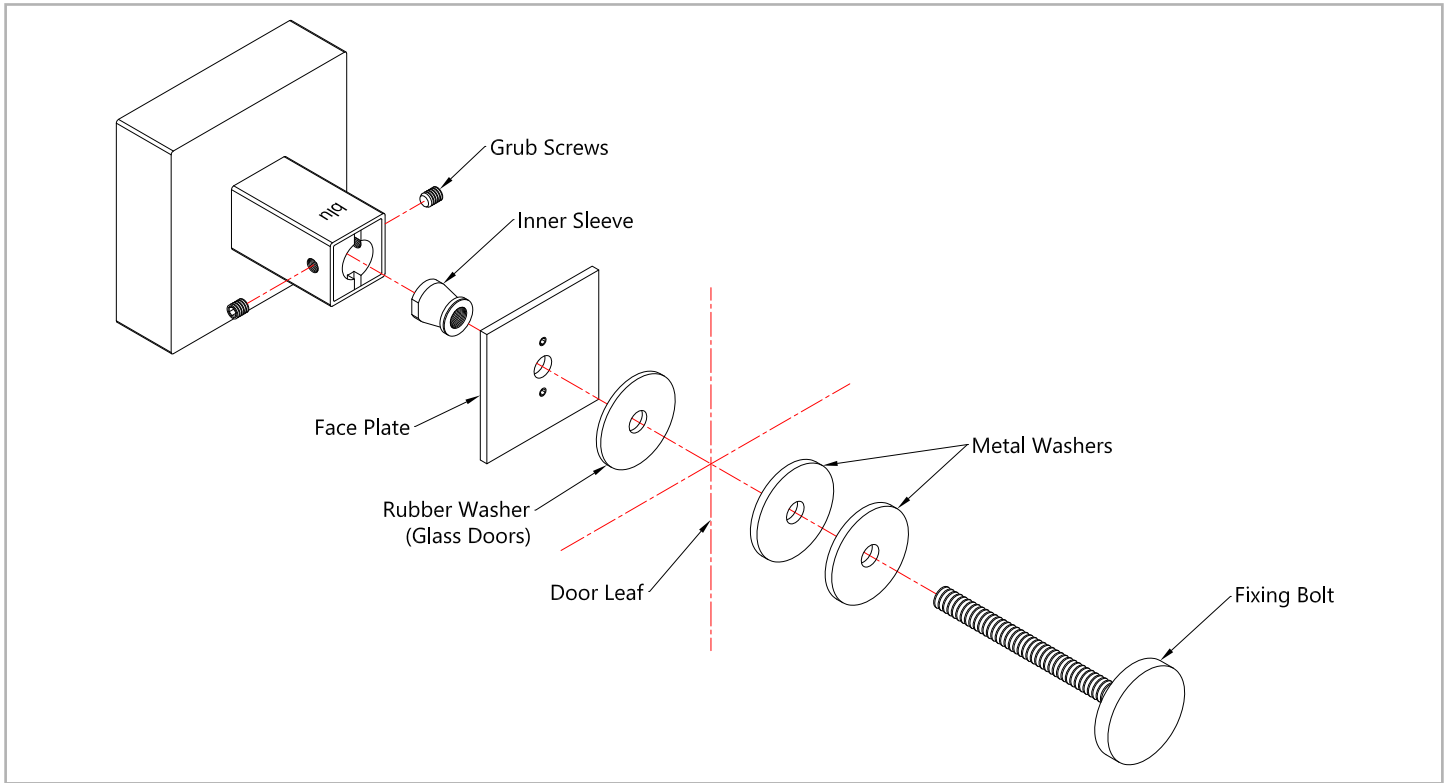


FITTING GUIDE

KM120 SQUARE DOOR PULL

LIT-FG-KM120



Installation Notes:

If the fixing bolt is hard to tighten into the square door pull loosen off the grub screws slightly, once the fixing bolt is tight and the square door pull is secure please tighten the grub screws.

Make sure the face plate has the grub screw pegs facing the door pull as shown below, these pegs locate into the grooves on the door pull to stop the plate from spinning, there is an Allen key in the box to adjust these pegs if required.



COASTAL

Shaping the future.