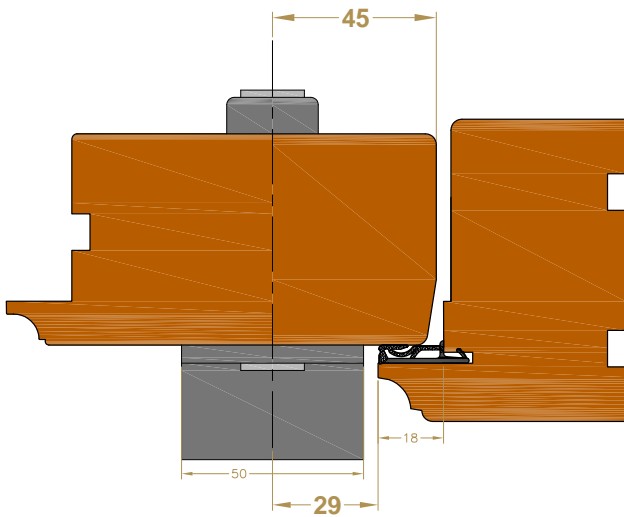
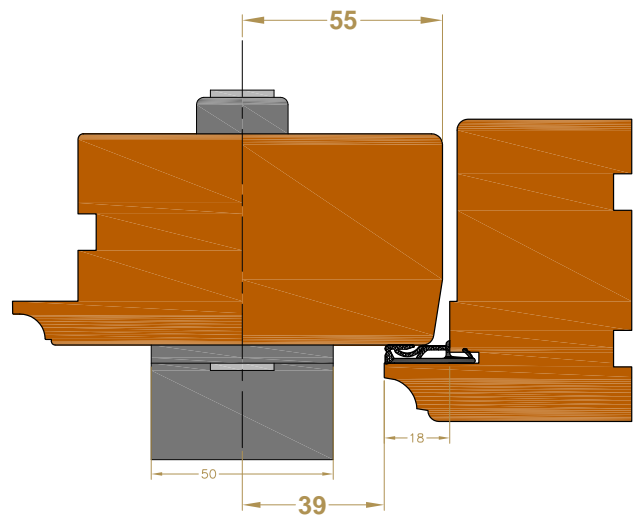


DOOR HARDWARE

LOCK BACKSET DETAILS FOR HERITAGE & VOGUE DOORS



Cylinder Clearance
Using 45mm Backset



Cylinder Clearance
Using 55mm Backset

While every attempt has been made to ensure the accuracy and completeness of the information in this document some typographical or technical errors may exist. Coastal Group cannot accept responsibility for customers' losses resulting from the use of this document. Please also note that this drawing / design is subject to change without prior notice in accordance with policy of continual product development. This drawing / design contains proprietary information that is protected by copyright and is property of Coastal Group.



COASTAL

Shaping the future.