

# FITTING INSTRUCTIONS

## KM078 & KM130 LEVER DOOR HANDLE ON BACKPLATE

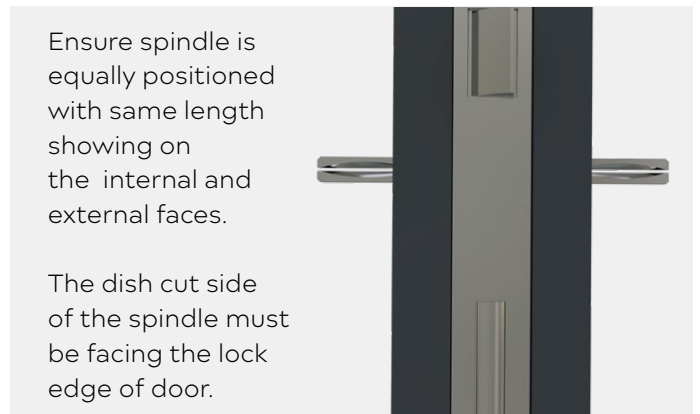
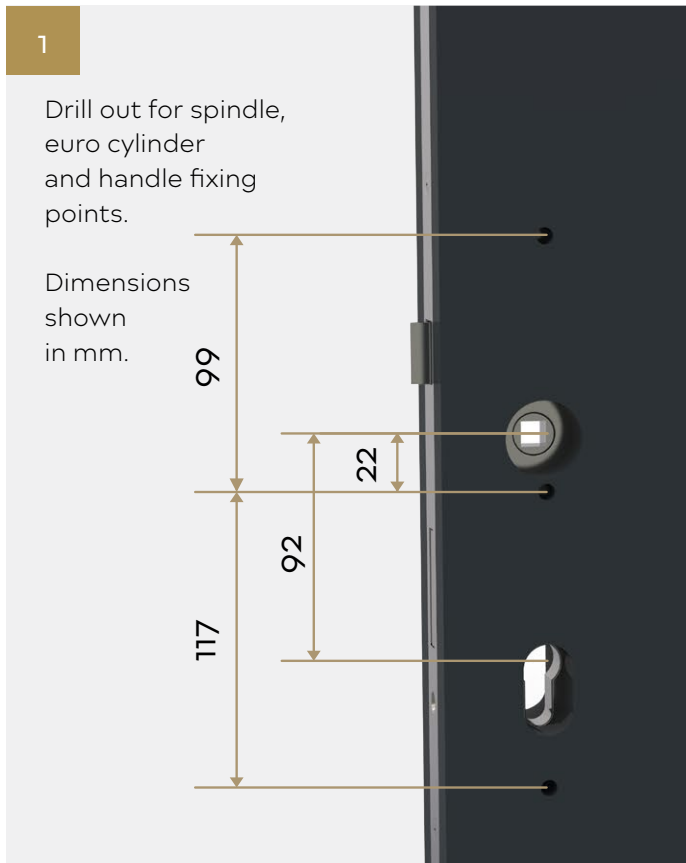
LIT-FI-KM078/KM130  
Page 1 of 6



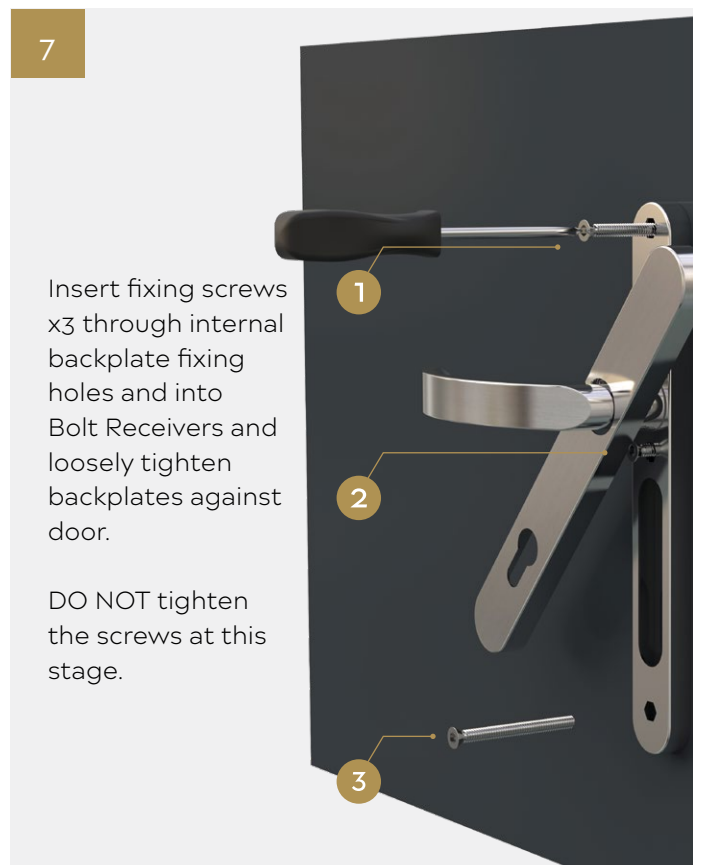
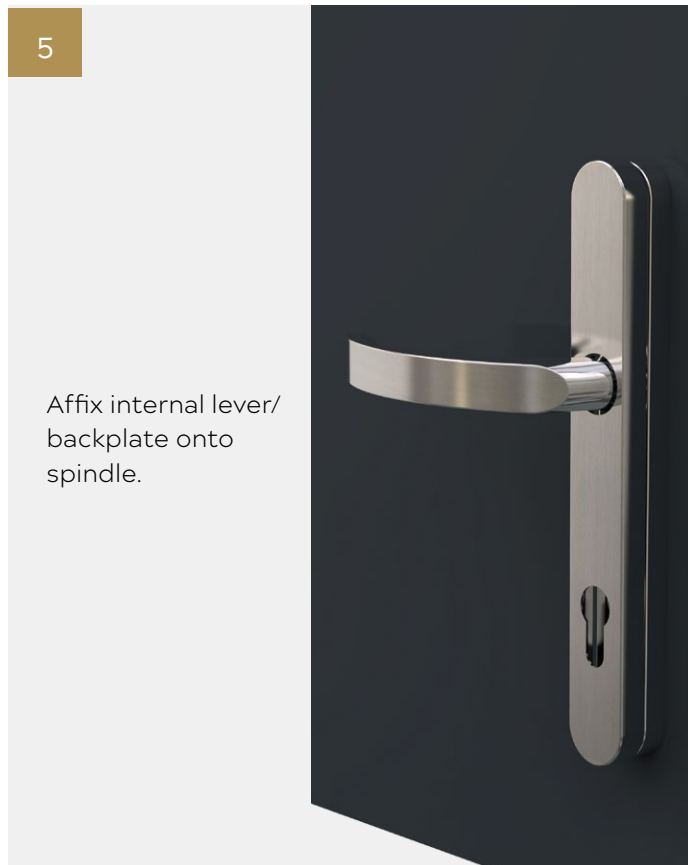
# COASTAL

*Shaping the future.*

KM078 & KM130 LEVER DOOR HANDLE ON BACKPLATE



KM078 & KM130 LEVER DOOR HANDLE ON BACKPLATE



## KM078 &amp; KM130 LEVER DOOR HANDLE ON BACKPLATE

8

Insert euro cylinder into lock.



9

Loosely tighten the cylinder screw into the lock faceplate.

DO NOT tighten the screw at this stage.



10

Tighten fixing screws on internal backplate until both internal and external backplates are tight against the door.



11

Push cover plate of internal & external handle onto backplates.





## Hardware Care and Maintenance Guide

To help you care for this product please follow the guidelines below.

Immediately after fitting and installation - clean the handle using a soft cloth and mild soapy water then dry immediately with a clean, soft cloth.

### Please Note

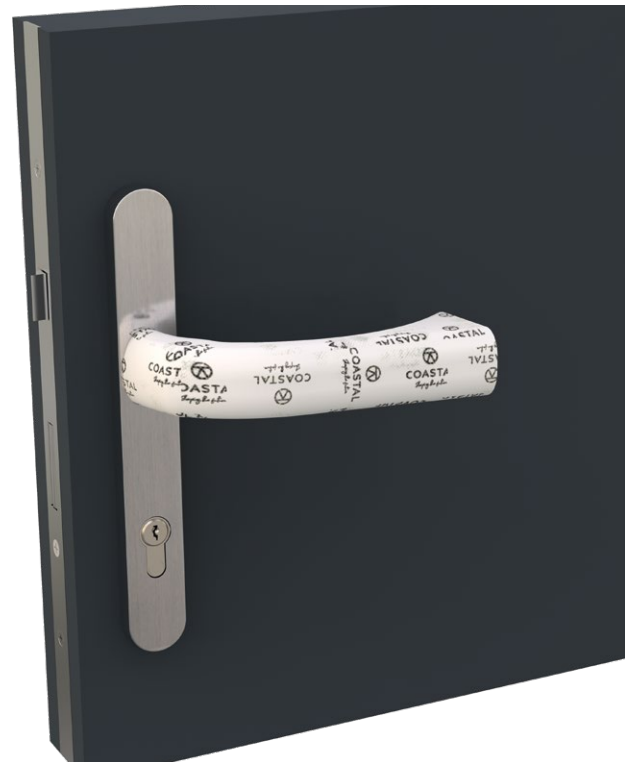
- DO NOT use oily rags or greasy cloths when wiping the product surface.
- DO NOT use bleach, abrasive cleaners, caustic or acid based cleaning materials, or detergents containing chloride, or any other strong household cleaning products.



## KM078 &amp; KM130 LEVER DOOR HANDLE ON BACKPLATE

- DO NOT use abrasive materials, files or other hard objects against the product surface.
- This product should be protected from dust and dirt during any construction work.

If this product has a polished stainless steel or satin stainless steel finish, then our DR121 Stainless Steel Renovation Kit should be used at least every six months to help maintain this product in pristine condition.



- The DR121 cleaner is a liquid solution that cleans and polishes, removing contamination, tarnish, tea staining, surface rust and on-site dust and dirt without attacking the metal.
- This cleaner is essential for keeping hardware cleaned and maintained especially when fitted to property situated on or near the coast.
- DR121-CO is a neutral liquid conditioner for use after the metal surface has been cleaned with DR121-CL cleaner.
- The conditioner can also be used for daily cleaning and maintenance of slightly soiled metal surfaces.

*Refer to Care and Maintenance Guide for further information and remember to protect handle during building works.*

*For more information contact us using the details below.*

