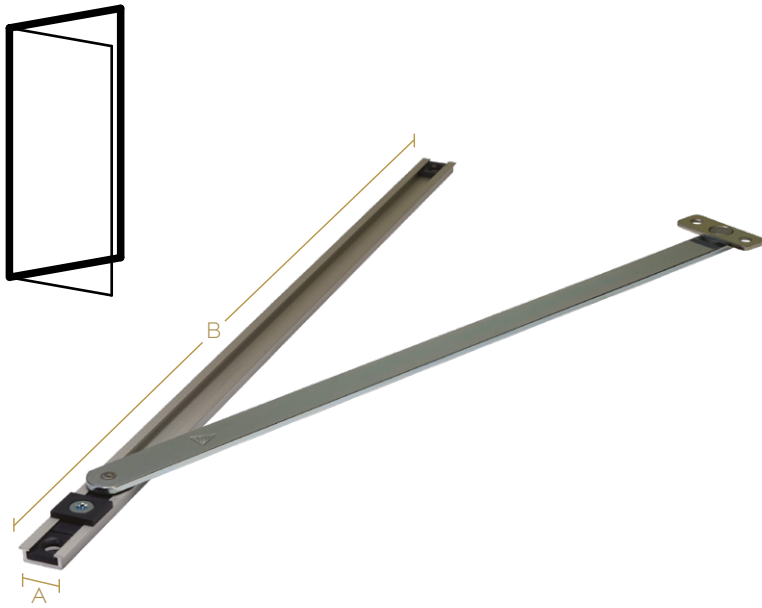


FITTING GUIDE

FC6080 FRICTION STAY FOR DOORS

LIT-FG-FC6080



A MM	B MM	MATERIAL MM	SCREW	APPROX. WEIGHT KG / PCS.
19	414	17X3	4,0	0,22

- Concealed fitting
- Opens up till 100%
- Friction in all positions
- Adjustable friction
- Anodized aluminium rail

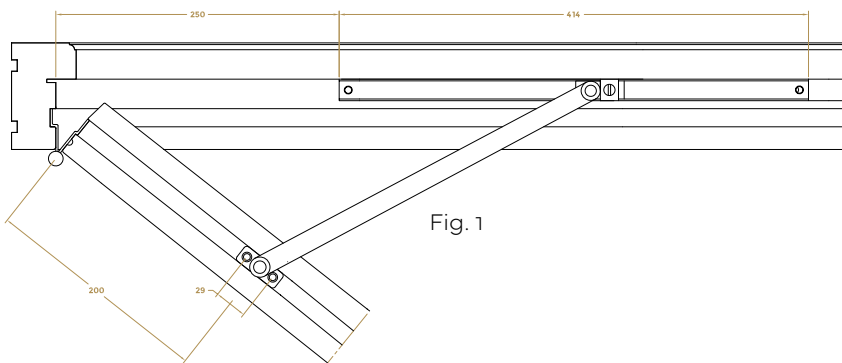


Fig. 1

EXAMPLE WOOD PROFILE:

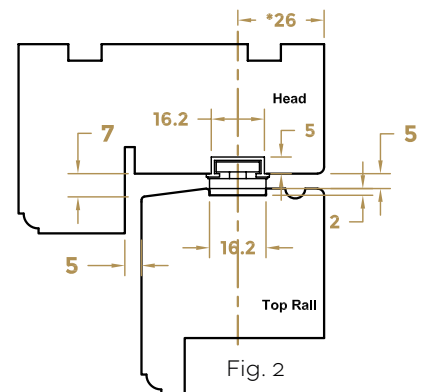


Fig. 2

MAINTENANCE:

The fitting are not to be painted. Test the operation from time to time. When mounting - lubricate the pivot/movable metal parts of the mechanism while activating repeatedly.

Hereafter lubricate minimum twice a year. Do not lubricate the aluminium rail.



COASTAL

Shaping the future.