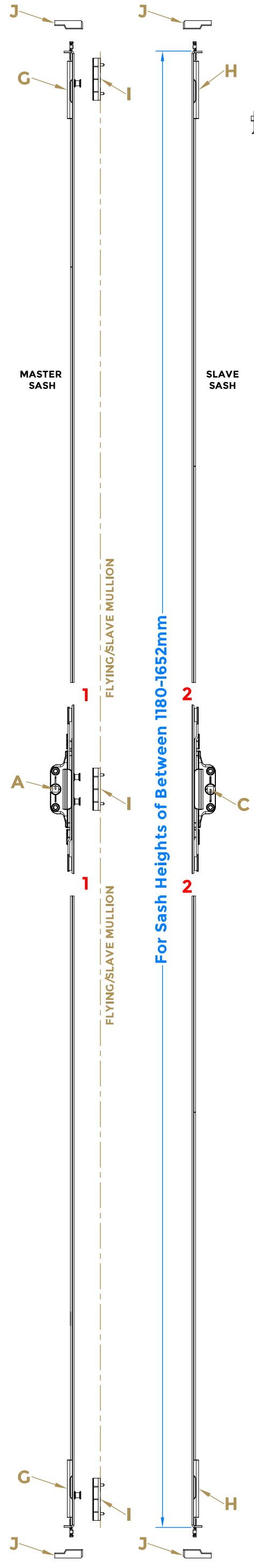
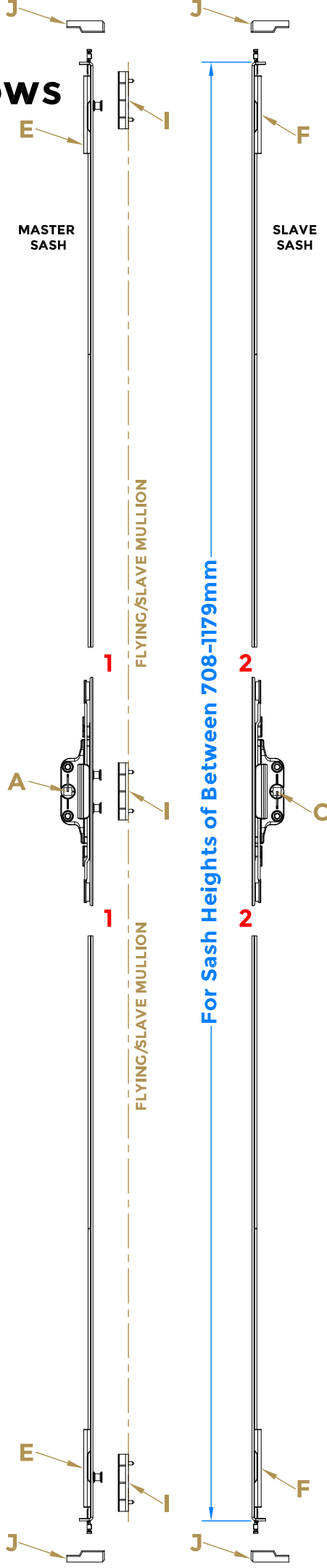
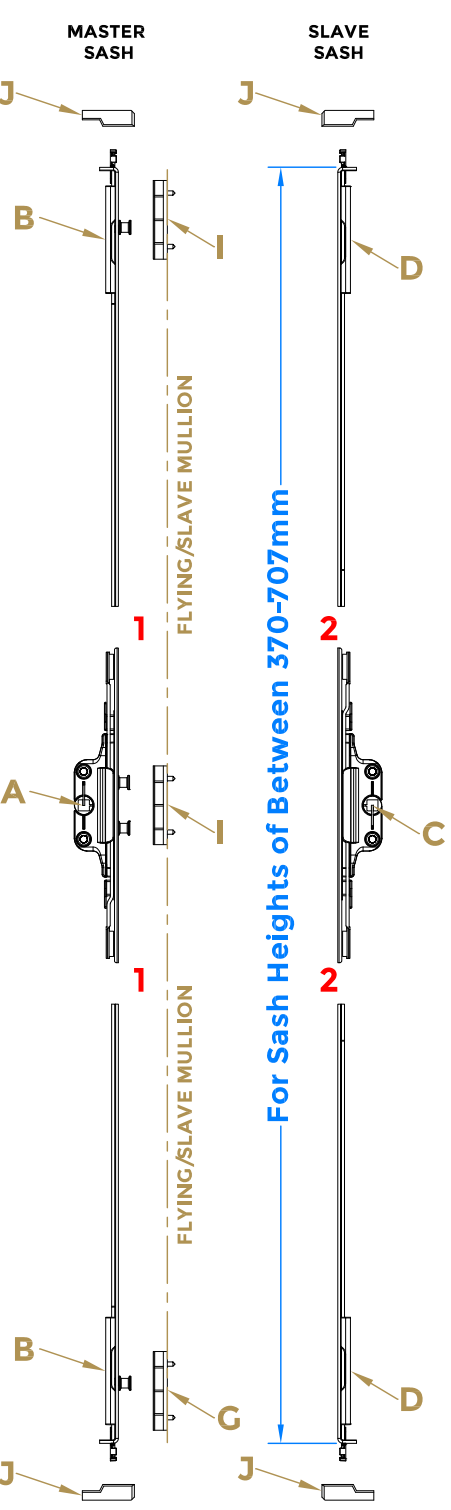


Drawing Revision History		
Revision	Description/Change	Date
A	Release	26/8/2022

SKU	Description
A	EBMB21-TE Centre Lock Box (2 x 7.7mm CAMS)
B	EBMM279-TE Shootbolt Piece (1 x 7.7mm CAM)
C	EBSB21-TE Centre Lock Box (No CAMS)
D	EBMS370-TE Shootbolt Piece (NO CAM)
E	EBMM512-TE Shootbolt Piece (1 x 7.7mm CAM)
F	EBMS500-TE Shootbolt Piece (NO CAM)
G	EBMM748-TE Shootbolt Piece (1 x 7.7mm CAM)
H	EBMS750-TE Shootbolt Piece (NO CAM)
I	EBSK-TE Espagnolette Keep
J	EBMK-20-TE Shootbolt Keep (No Luggs)

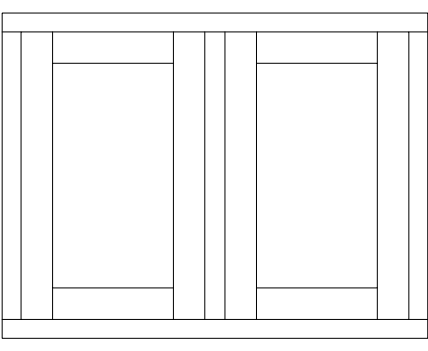
MACO EBM System Double Sash Windows




EBMK-10 Luggs Fit into EBSK Keep

1
EBM300-TE
300mm Extension
Piece
Can Be Used Here If
Required.

2
EBM300-TE
300mm Extension
Piece
Can Be Used Here If
Required but you
must either remove
the CAM or pocket
out the mullion.





coastal-group.com
Shaping the future

COASTAL

Part Number / Drawing Title:
Maco EBM System Double Sash Window Config

Product Range:
Window Systems

Material: MACO Tricoat Evo

Additional Info: System Using a Flying/Slave Mullion

Date Drawn: 30/08/2022

Drawn By: Philip Walklett

Part Number: EBM (Various)

File Name: EBM_Configurations.dwg

Revision: A

Drawing Scale: Not to Scale

Sheet Number: 1 of 1

THIRD ANGLE PROJECTION

This drawing and specification are the property of Coastal Specialist Ironmongery Ltd. they are issued in strict confidence and shall not be reproduced, copied or used without written permission.
E&OE - All dimensions are specified in mm.