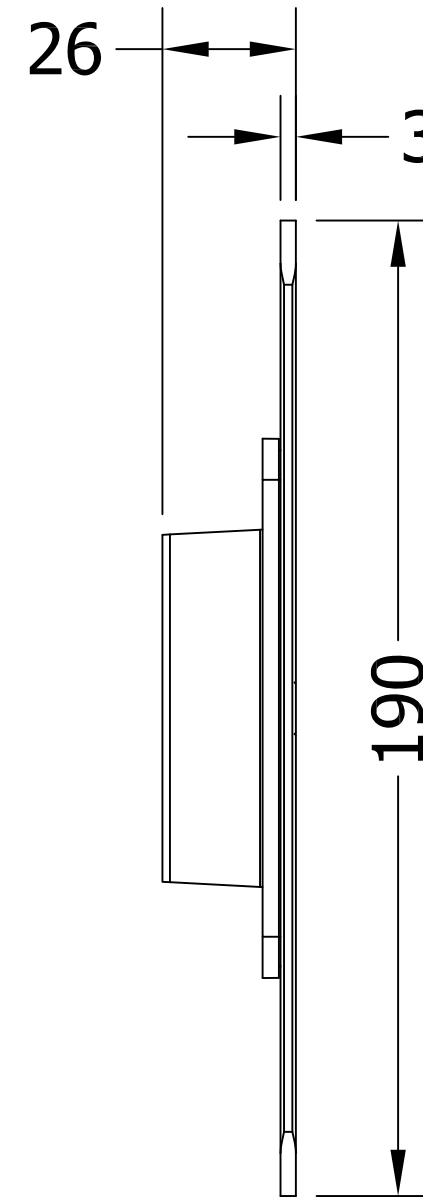
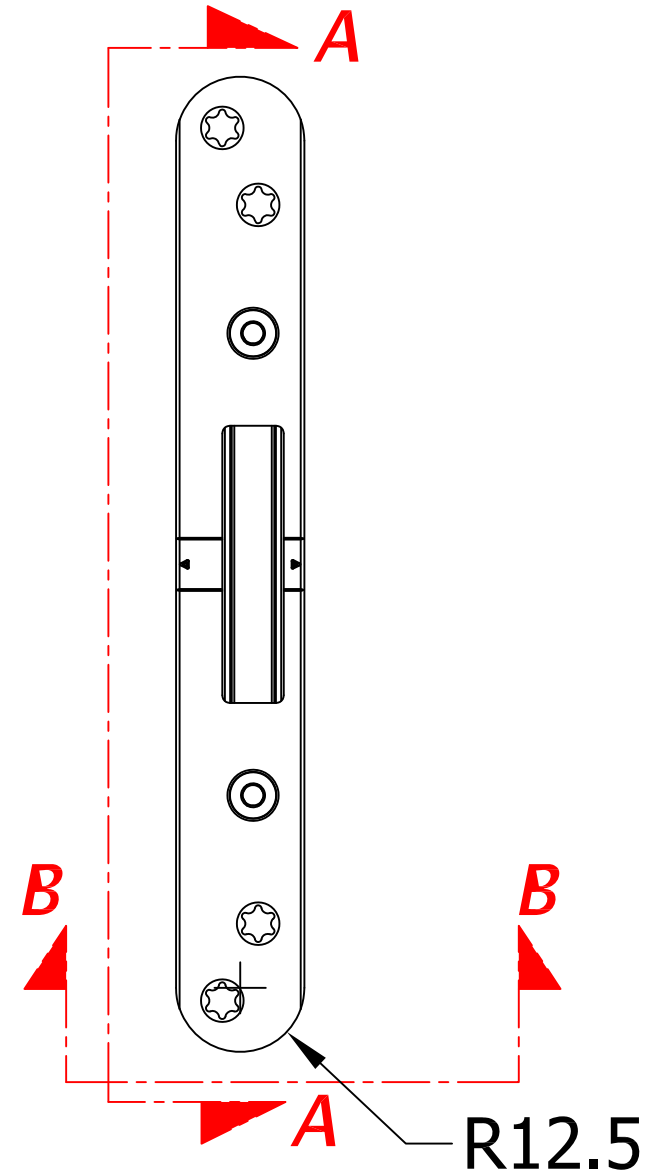
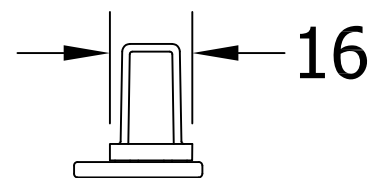


Revision	Description	Drawn	Date
A	Release	PW	27/3/18

Universal Handing.



Section A-A



Section B-B

COASTAL GROUP
Innovating & upgrading the style, performance & longevity of external doors & windows globally

Global House, Bojea Industrial Estate, Trethowel, St Austell, PL25 5RJ
 Telephone | 01726 871725 - Fax | 01726 871731
 Email | sales@coastal-group.com - Web | www.coastal-group.com

Drawing Reference:
Coastal Group

Drawing Title:
Master Door Lock Keeps
MACO Tricoat

Product Range:
Tricoat Single Door Keeps

Additional Info: For Lower & Upper Hook Bolts
Universal Handing

Date Drawn: 28/03/2018
Drawn By: Phil Walklett
Part Number: MK57-TR
File Name: CG-MK57-TR.dwg
Revision: A
Drawing Scale: Not to Scale
Sheet Number: 1 of 1

THIRD ANGLE PROJECTION
 This drawing and specification are the property of Coastal Group, they are issued in strict confidence and shall not be reproduced, copied or used without written permission.