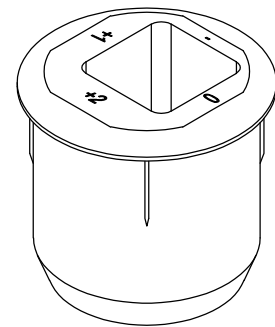
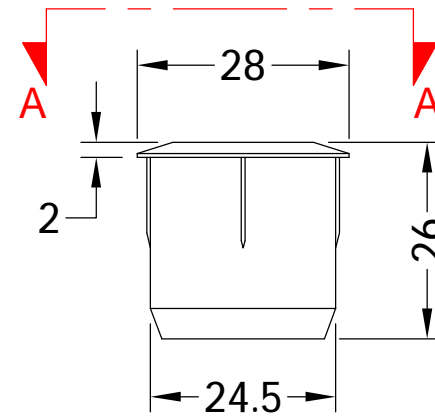


**Revision History**

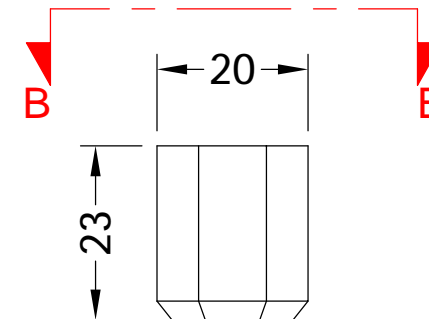
Revision	Description	Drawn By	Date
A	Released	PW	14/8/17



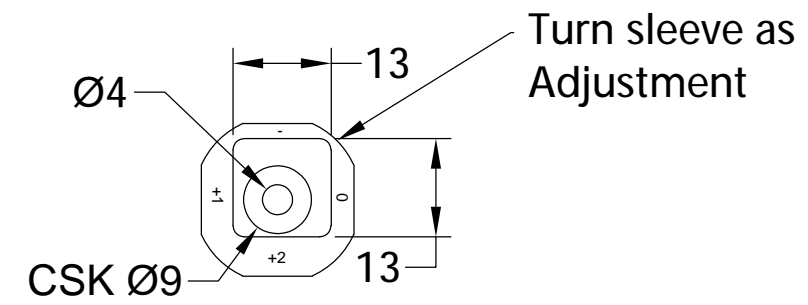
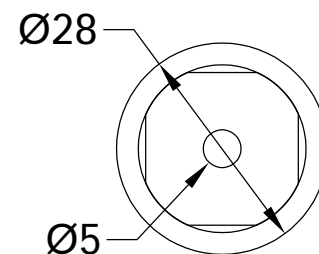
Isometric View




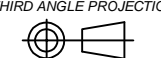
Section A-A



Section B-B



Adjustable Inner Sleeve

	
Global House, Bojea Industrial Estate, Trethowel, St Austell, PL25 5RJ telephone   01726 871724 - fax   01726 871731 email   sales@coastal-group.com - web   www.coastal-group.com	
Drawing Reference: <b>Coastal Group</b>	
Drawing Title: <b>MS28-SV</b> <b>Thimble Shootbolt Keep</b>	
Product Range: <b>Multipoint Lock Adj Shootbolt Keep</b>	
Additional Info:	Non Handed, Adjustable
Date Drawn:	15/08/2017
Drawn By:	Phil Walklett
Part Number:	MS28-SV
File Name:	CG-MS24-SV.dwg
Revision:	A
Drawing Scale:	1:1@A3
Sheet Number:	1 of 1
THIRD ANGLE PROJECTION 	This drawing and specification are the property of Coastal Group, they are issued in strict confidence and shall not be reproduced, copied or used without written permission.