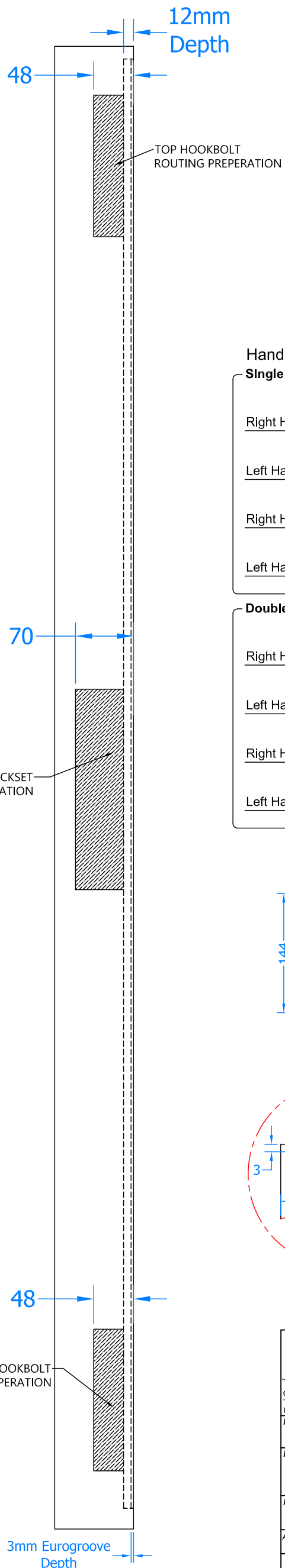
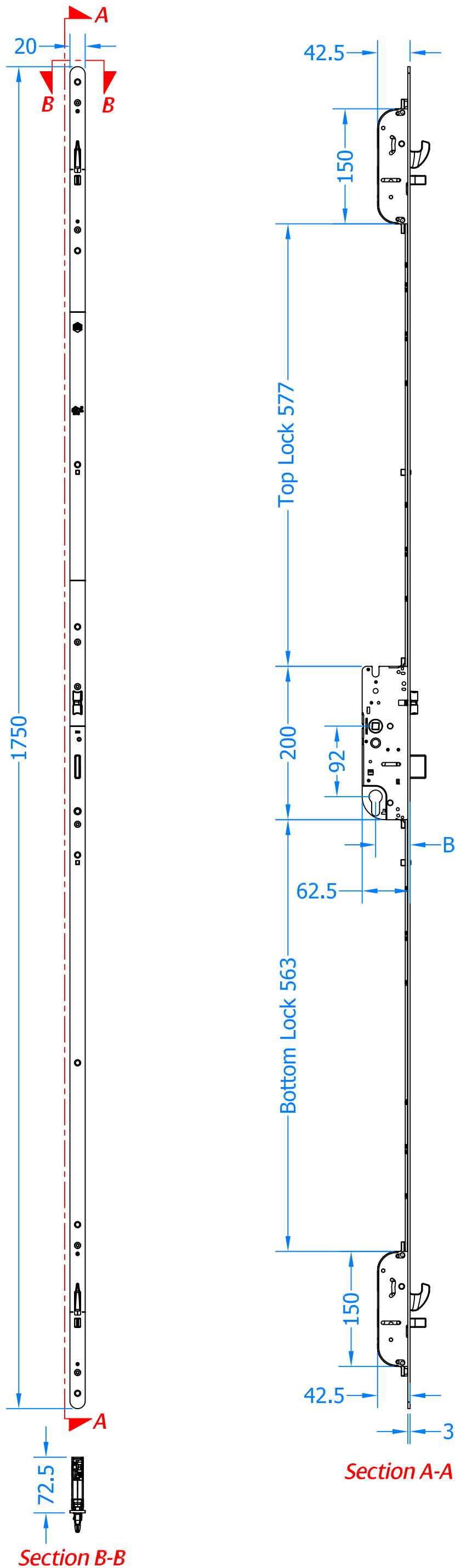


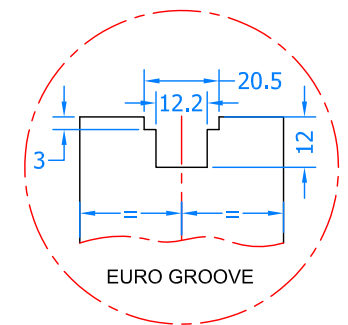
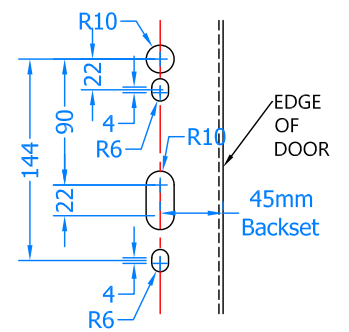
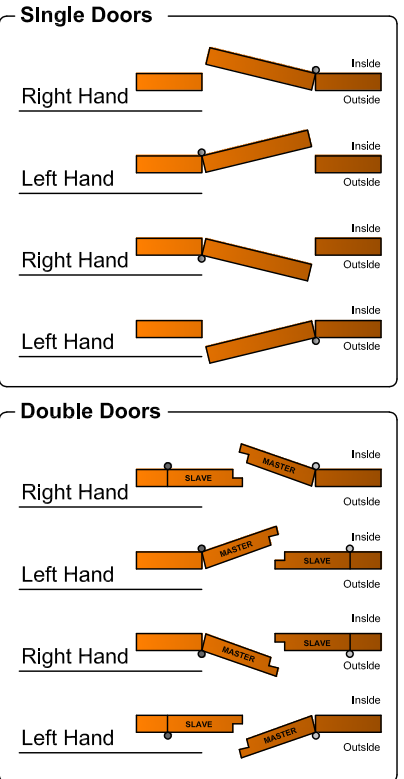
**REVISIONS**


Revision	Description	Drawn	Date
A	Release	PW	26/11/18
B	Updated Gearbox Dimension from 226 to 200mm in height	PW	05/07/19

# Universal Handing.



**Handing Diagrams**





Global House, Bojea Industrial Estate, Trethowel, St Austell, PL25 5RJ  
 Telephone | 01726 871725 - Fax | 01726 871731  
 Email | sales@coastal-group.com - Web | www.coastal-group.com

**Coastal Group**  
 Drawing Title: **Master Door Lock - Radius End MACO Tricoat - 45mm Backset**  
 Product Range: **Tricoat Master Door Lock**  
 Additional Info: **Universal Handing**

Date Drawn: 05/07/19  
 Drawn By: Phil Walklett  
 Part Number: ML260R-45-TR  
 File Name: CG-ML260R-45-TR.dwg  
 Revision: B  
 Drawing Scale: Not to Scale  
 Sheet Number: 1 of 1

**THIRD ANGLE PROJECTION**

This drawing and specification are the property of Coastal Group, they are issued in strict confidence and shall not be reproduced, copied or used without written permission.