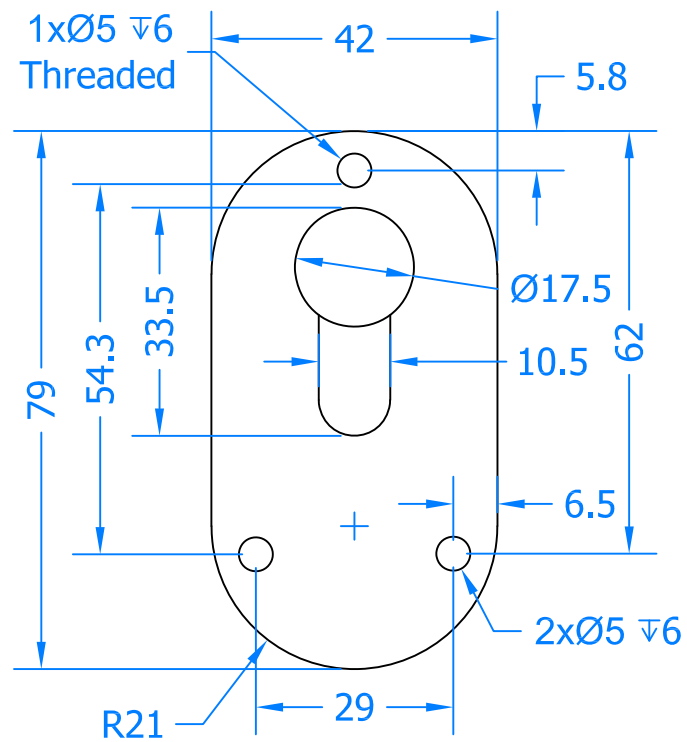


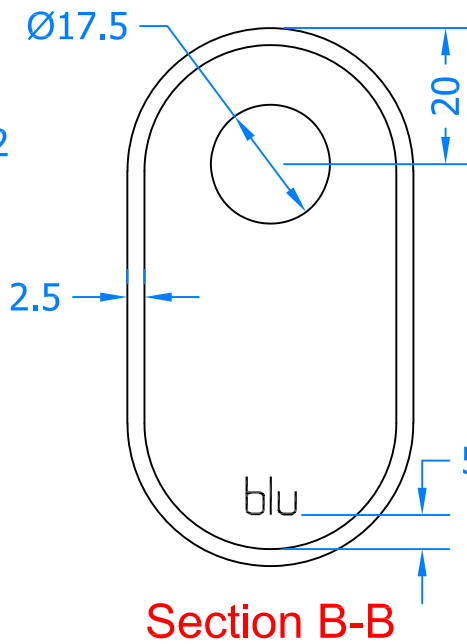
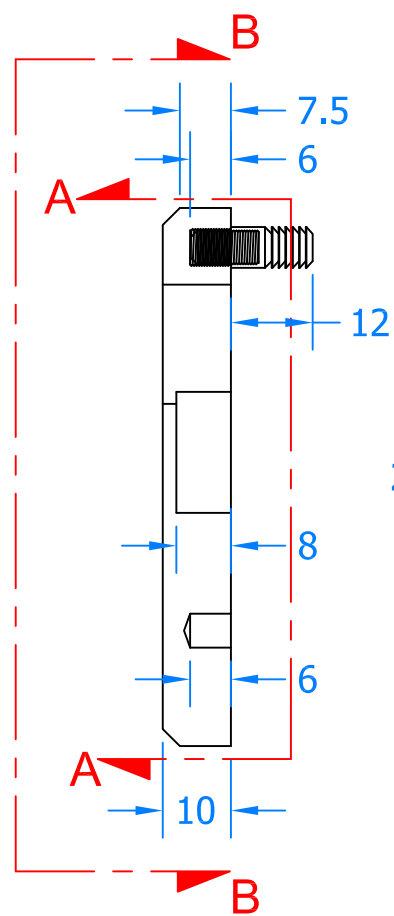
Revision History

Revision	Description	DRFT	CHK	Date
A	Release	PW	BD	8/3/18
B	Moved Brass Stud from 7.8mm to 5.8mm from top	PW	BD	22/6/18

External Security Escutcheon

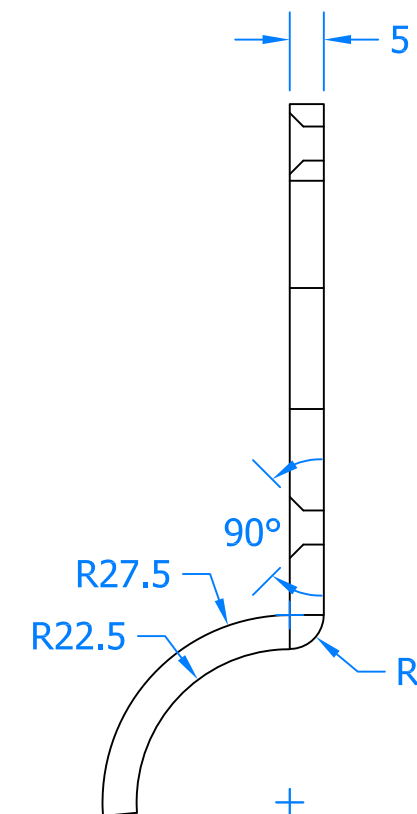
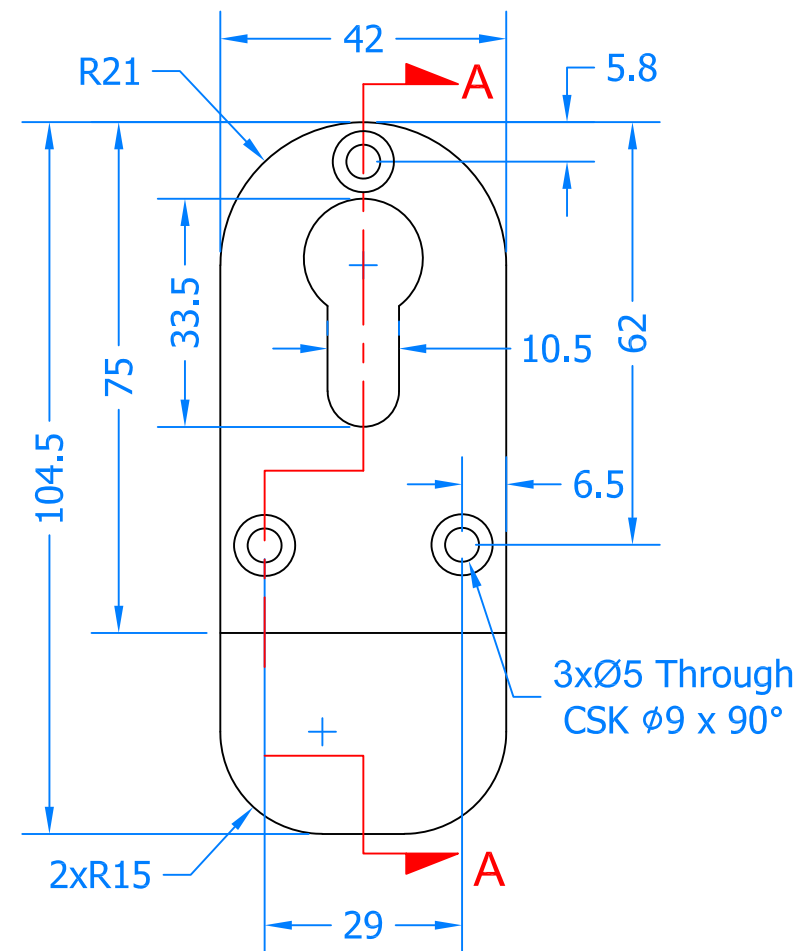


Section A-A



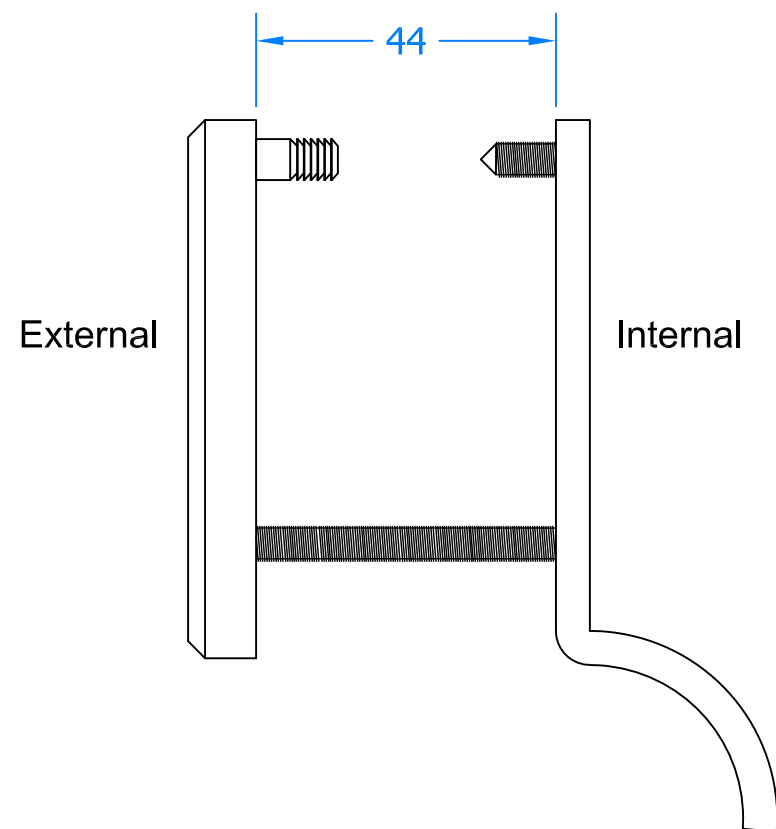
Section B-B

Internal Cylinder Pull



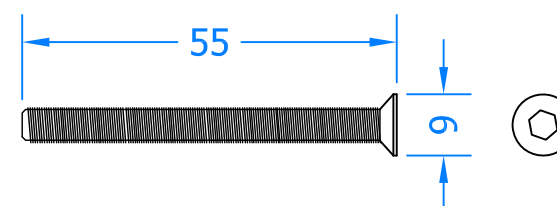
Section A-A

Assembled View

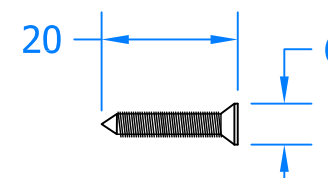


Fixings

2x M5x55mm CSK Socket Head Screws



1x Wood Screw



3mm Allen Key



Global House
Bojea Industrial Estate
Trelhowel, St Austell
Cornwall, PL25 5RJ

blu Performance in Motion

t | 01726 871724
f | 01726 871731
sales@blu-performance.com
www.blu-performance.com

Drawing Reference: **blu™ Performance**

Drawing Title: **SE40A-316 Security Escutcheon & Cylinder Pull**

Product Range: **SE40 Range**

Additional Info: Suits Door Thickness of 44mm

Date Drawn: 22/06/2018

Drawn By: Phil Walklett

Part Number: SE40A-316-SSS

File Name: BP-SE40A-316.dwg

Revision: B

Drawing Scale: 1:1 @ A3

Sheet Number: 1 of 1

THIRD ANGLE PROJECTION

This drawing and specification are the property of blu Performance, they are issued in strict confidence and shall not be reproduced, copied or used without written permission.