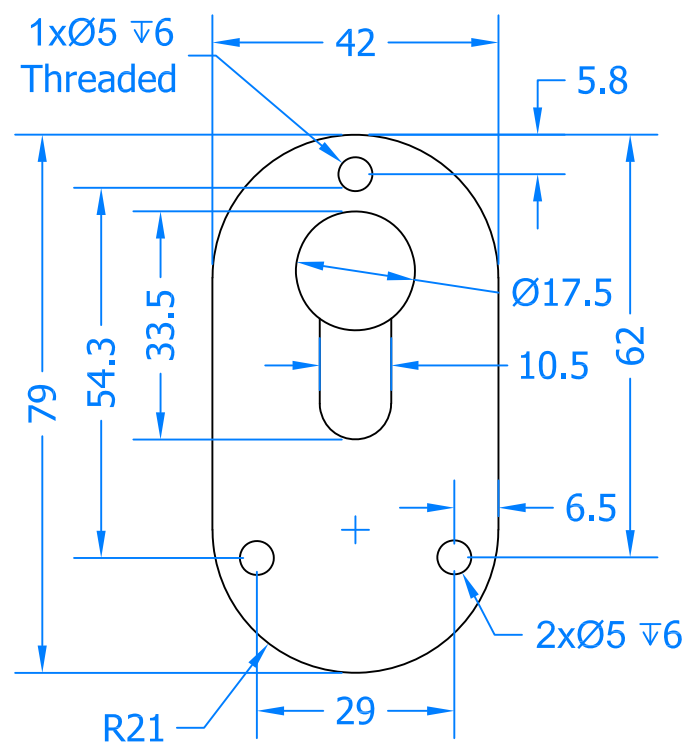


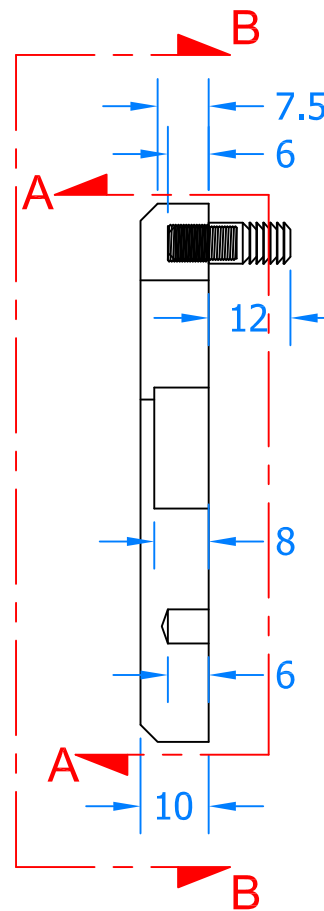
### Revision History

| Revision | Description                                   | DRFT | CHK | Date    |
|----------|---|------|-----|---------|
| A        | Release                                       | PW   | BD  | 8/3/18  |
| B        | Updated screw length from 55mm to 60mm        | PW   | BD  | 24/5/18 |
| C        | Moved Brass Stud from 7.8mm to 5.8mm from top | PW   | BD  | 22/6/18 |

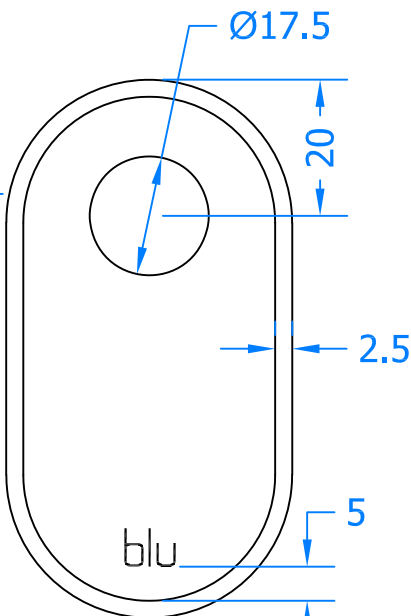
## External Security Escutcheon



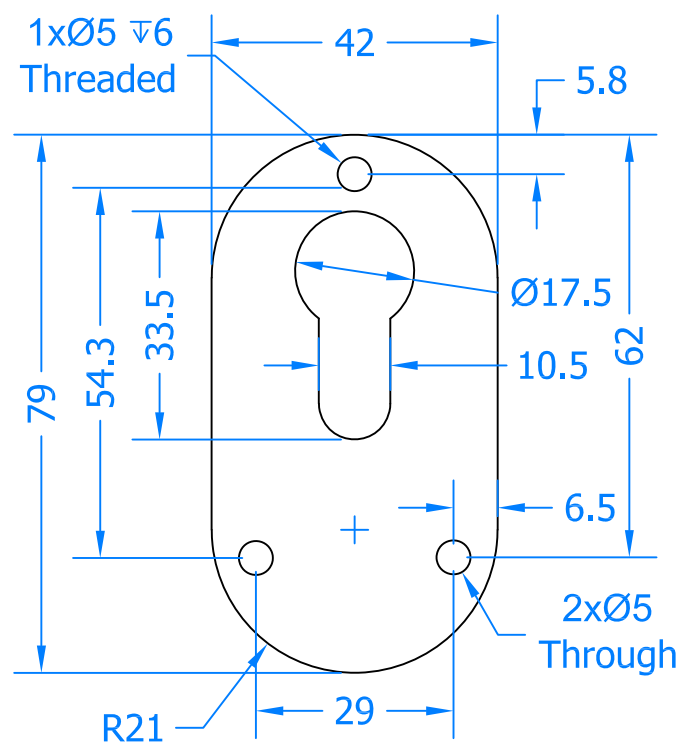
Section A-A



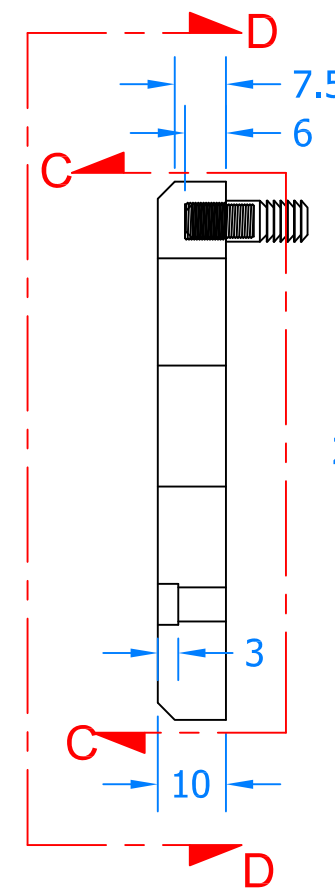
Section B-B



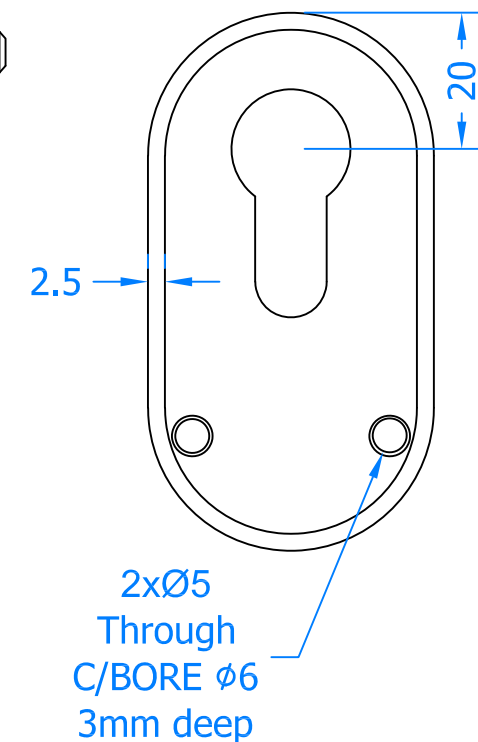
## Internal Escutcheon



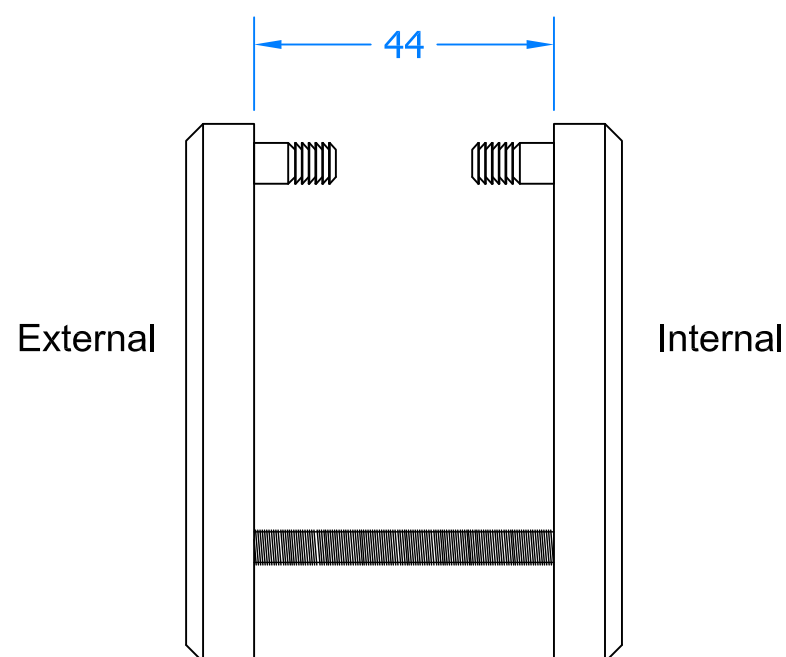
Section C-C



Section D-D

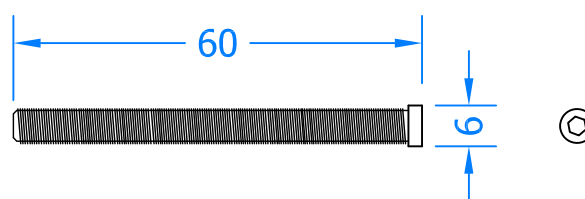


## Assembled View



## Fixings

2x M5x60mm Screws



3mm Allen Key



**blu** Performance in Motion

Global House  
Bojea Industrial Estate  
Trelhowel, St Austell  
Cornwall, PL25 5RJ

t | 01726 871724  
f | 01726 871731  
sales@blu-performance.com  
www.blu-performance.com

|                    |  |
|--------------------|--|
| Drawing Reference: | <b>blu™ Performance</b>                  |
| Drawing Title:     | <b>SE40B-316 Security Escutcheon Set</b> |
| Product Range:     | <b>SE40 Range</b>                        |
| Additional Info:   | Suits Door Thickness of 44mm             |
| Date Drawn:        | 22/06/2018                               |
| Drawn By:          | Phil Walklett                            |
| Part Number:       | SE40B-316-SSS                            |
| File Name:         | BP-SE40B-316.dwg                         |
| Revision:          | C  |
| Drawing Scale:     | 1:1 @ A3                                 |
| Sheet Number:      | 1 of 1                                   |

THIRD ANGLE PROJECTION

This drawing and specification are the property of blu Performance, they are issued in strict confidence and shall not be reproduced, copied or used without written permission.