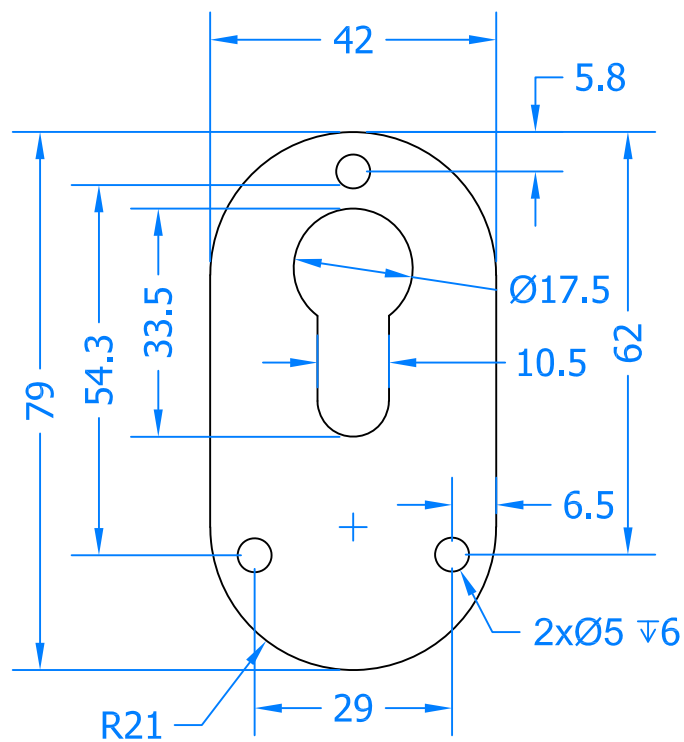


Revision History

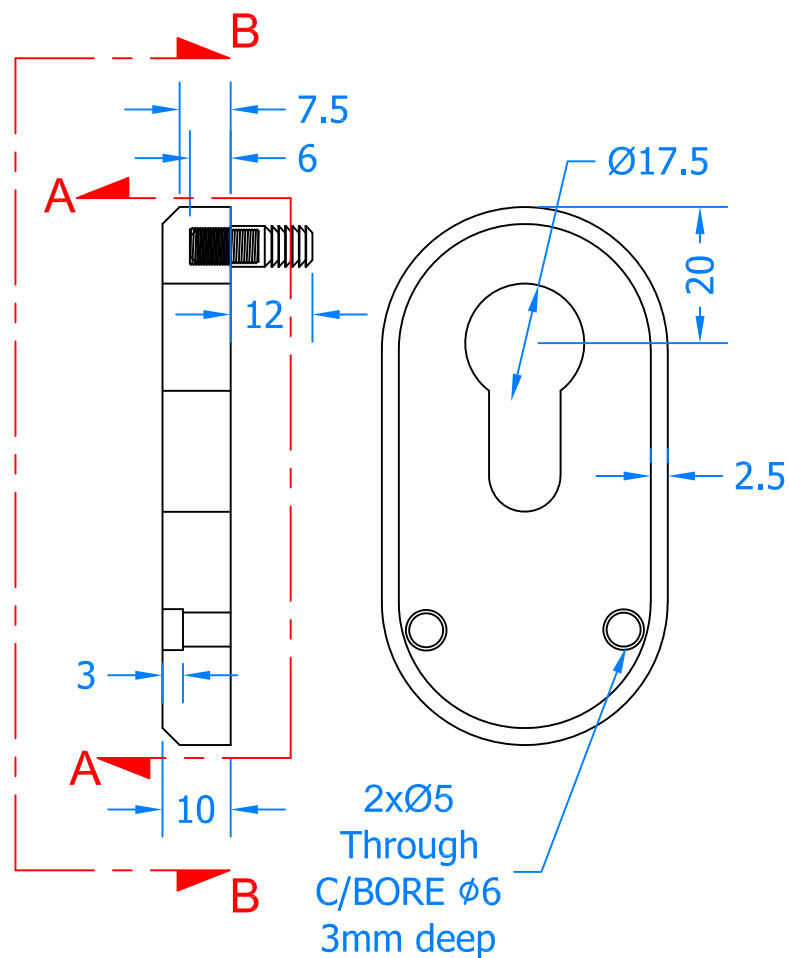
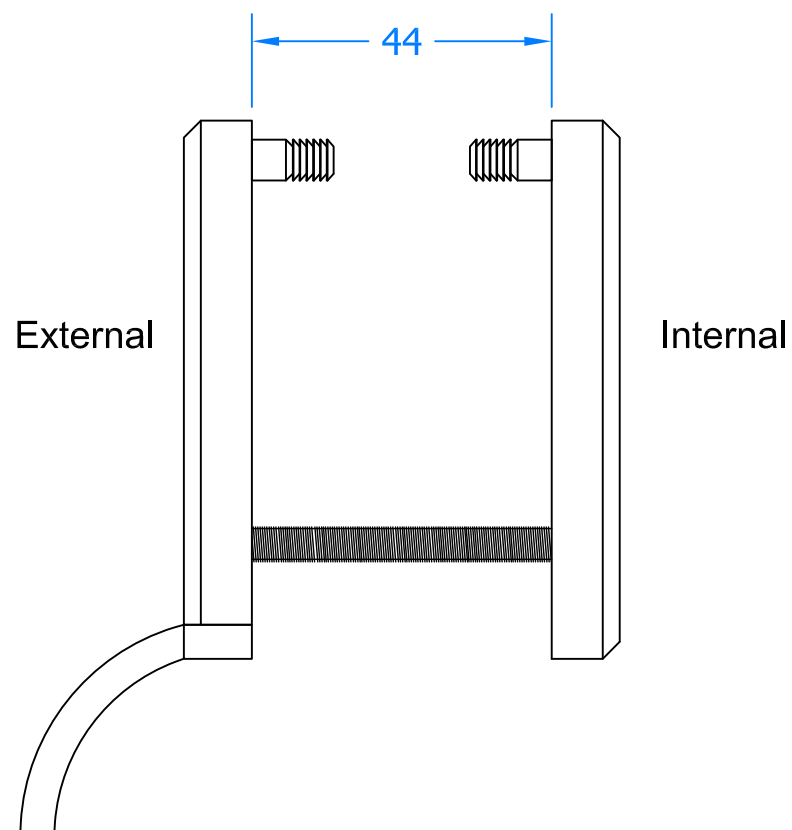
Revision	Description	DRFT	CHK	Date
A	Release	PW	BD	8/3/18
B	Updated screw length from 55mm to 60mm	PW	BD	24/5/18
C	Moved Brass Stud from 7.8mm to 5.8mm from top	PW	BD	22/6/18

Internal Escutcheon



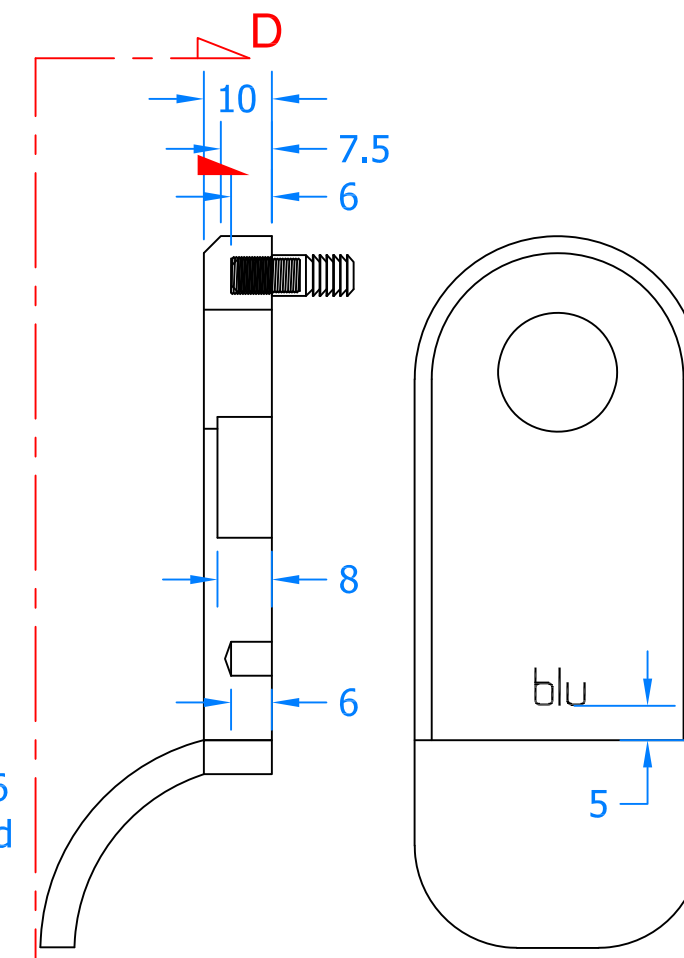
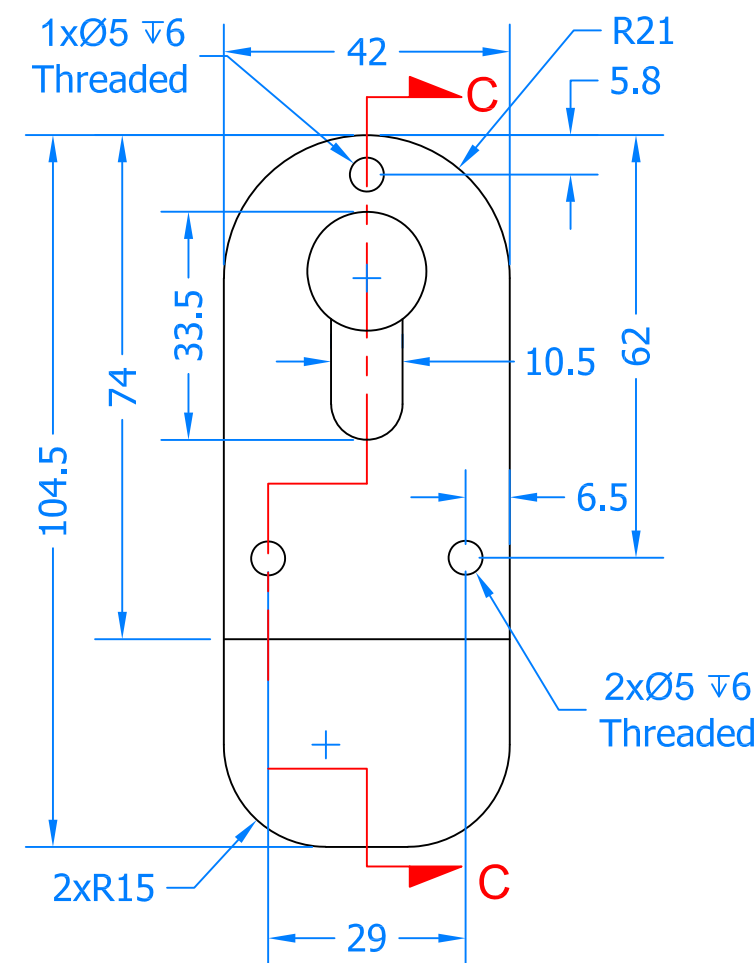
Section A-A

Assembled View



Section B-B

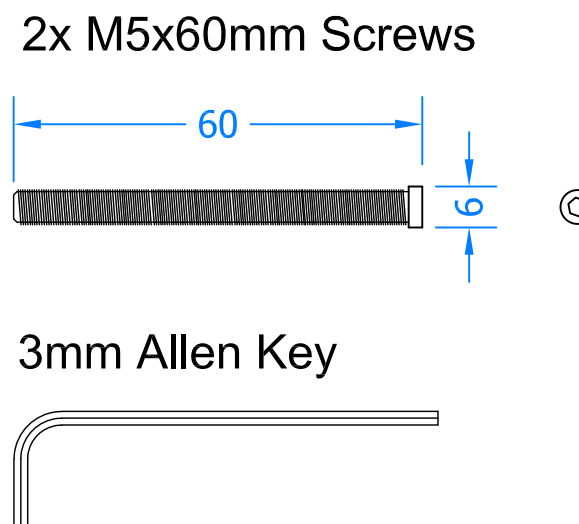
External Security Cylinder Pull



Section C-C

Section D-D

Fixings



Global House
Bojea Industrial Estate
Trelhowel, St Austell
Cornwall, PL25 5RJ

t | 01726 871724
f | 01726 871731
sales@blu-performance.com
www.blu-performance.com

Drawing Reference:
blu™ Performance

Drawing Title:
SE40C-316
Escutcheon & Security Cylinder Pull

Product Range:
SE40 Range

Additional Info: Suits Door Thickness of 44mm

Date Drawn: 22/06/2018

Drawn By: Phil Walklett

Part Number: SE40C-316-SSS

File Name: BP-SE40C-316.dwg

Revision: C

Drawing Scale: 1:1 @ A3

Sheet Number: 1 of 1

THIRD ANGLE PROJECTION

This drawing and specification are the property of blu Performance, they are issued in strict confidence and shall not be reproduced, copied or used without written permission.