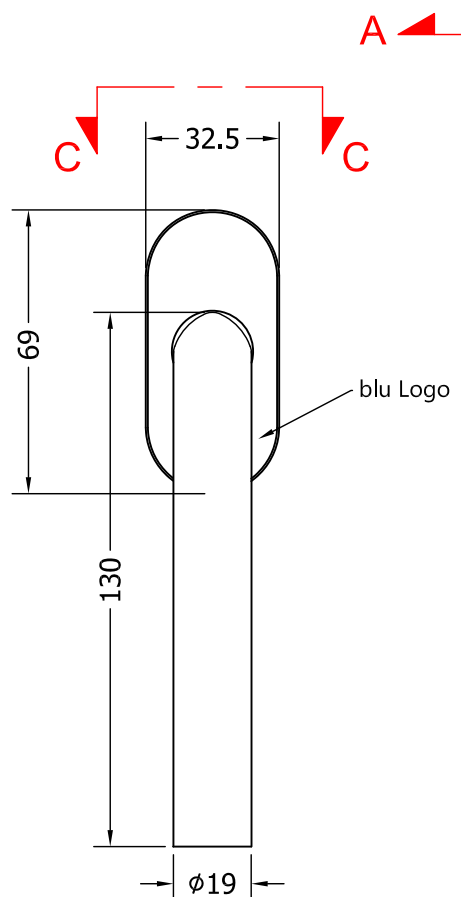
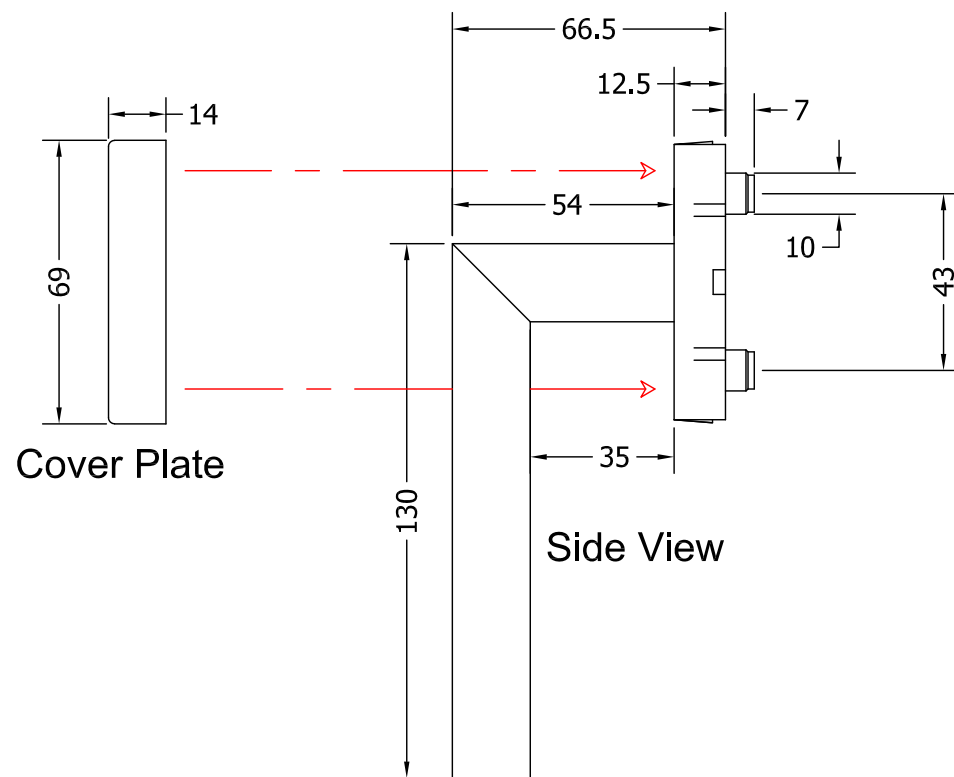


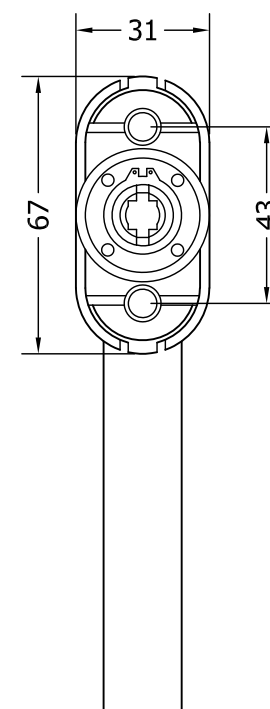
While every attempt has been made to ensure the accuracy and completeness of the information in this document some typographical or technical errors may exist. Blu Performance cannot accept responsibility for customers' losses resulting from the use of this document. Please also note that this drawing / design is subject to change without prior notice in accordance with our policy of continual product development. This drawing / design contains proprietary information that is protected by copyright and is property of Blu Performance. Blu Performance is at the leading edge in joinery hardware, customer care and quality are at the core of everything we do, you can be confident that a call to Blu will be the only call you need for all your joinery hardware needs.



Assembled Front View

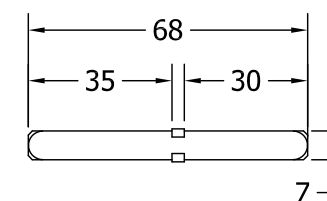
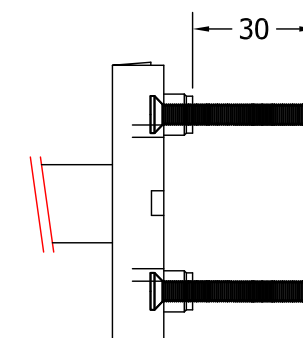


Section A-A

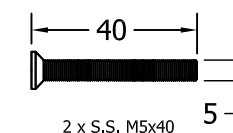


Rear View

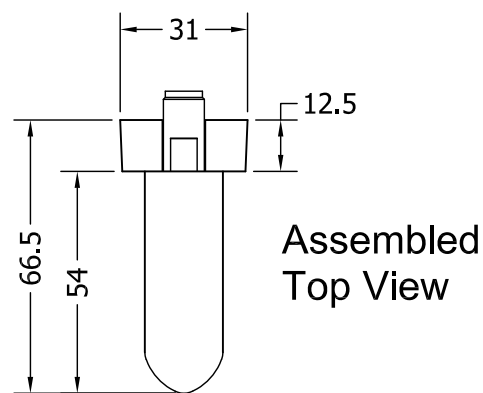
Bolt Clearance View



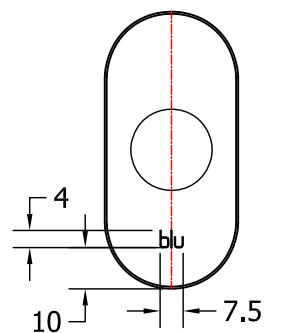
Spindle



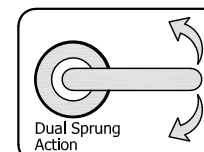
Fixing Bolts



Section C-C



Logo Position



WHAT'S INCLUDED IN THE BOX	
QTY	DESCRIPTION
1	TILT & TURN LEVER
1	COVER PLATE
2	40mm MACHINE SCREWS
1	7 x 7 x 68mm SPINDLE

**blu** performance in Motion  
 Global House  
 Bojea Industrial Estate  
 Trethowel, St Austell  
 Cornwall, PL25 5RJ  
 t | 01726 871025 f | 01726 871731  
 e | sales@blu-performance.com  
 w | www.blu-performance.com

Customer Reference:

**blu Performance**

Drawing Title:  
**Tilt & Turn Handle  
 Universal - Non Handed**

Product Range / Project Reference

**TTH50-316-SSS**

Other Information:

Date Drawn: 18/07/2016

Drawn By: Phil Walklett

Drawing Number: **BP-TTH50-316-SSS.dwg** Revision: **A**

THIRD ANGLE PROJECTION



This drawing and specification are the property of Coastal Group, they are issued in strict confidence and shall not be reproduced, copied or used without written permission.

Scale: NONE

Sheet: 1 of 1