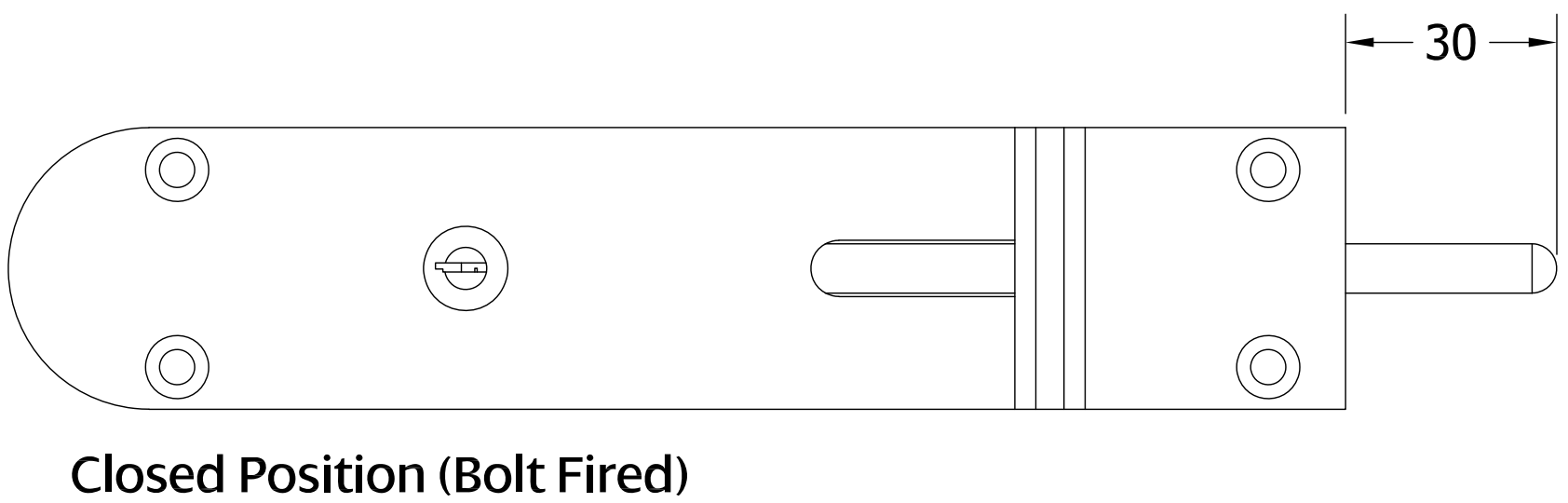
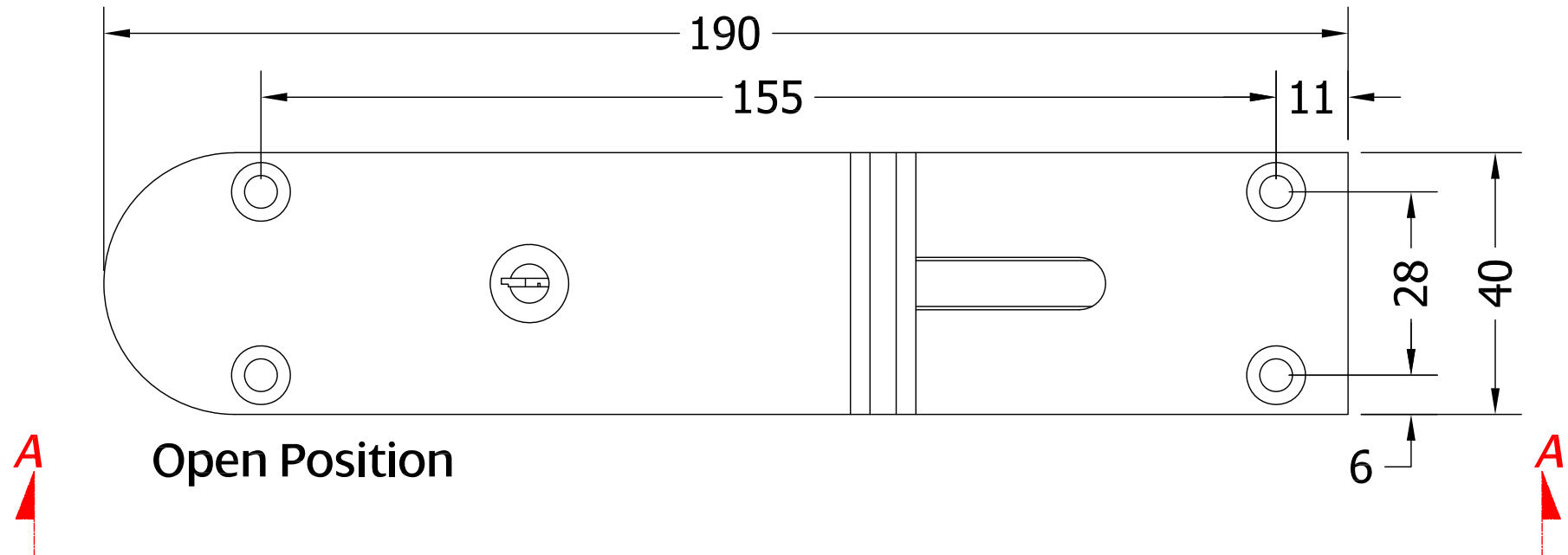
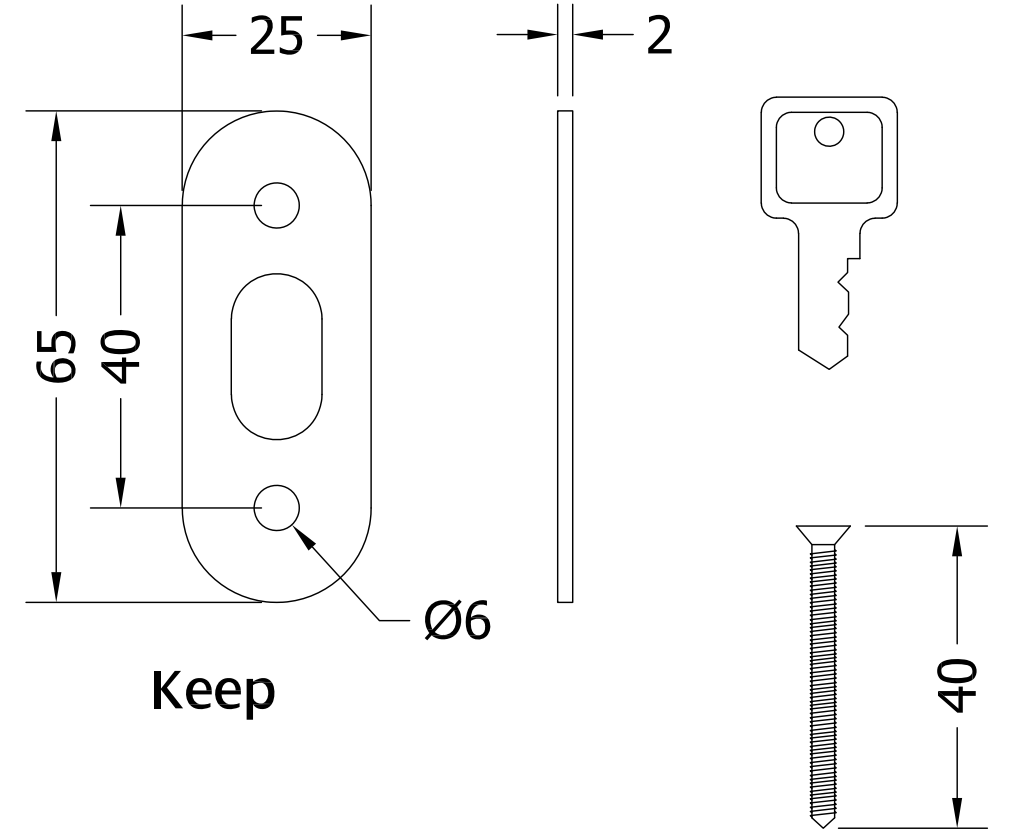
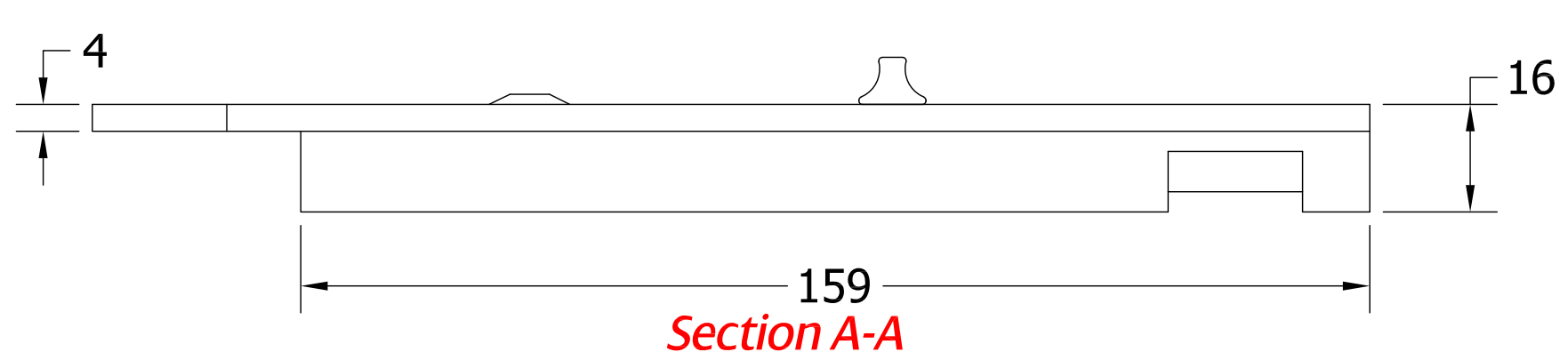


REVISIONS			
Revision	Description	Drawn	Date
A	Release	PW	15/11/17



Global House, Bojea Industrial Estate, Trethowel, St Austell, PL25 5RJ
 Telephone | 01726 871725 - Fax | 01726 871731
 Email | sales@coastal-group.com - Web | www.coastal-group.com

Drawing Reference:
Coastal Group
Drawing Title:
CF190L
190mm Locking Flush Bolt

Product Range:
Door Bolts

Additional Info: For use primarily on CoFold folding doors

Date Drawn: 15/11/2017
 Drawn By: Phil Walklett
 Part Number: CF190L
 File Name: CG-CF190L.dwg
 Revision: A
 Drawing Scale: 1:1@A3
 Sheet Number: 1 of 1

THIRD ANGLE PROJECTION

This drawing and specification are the property of Coastal Group, they are issued in strict confidence and shall not be reproduced, copied or used without written permission.