

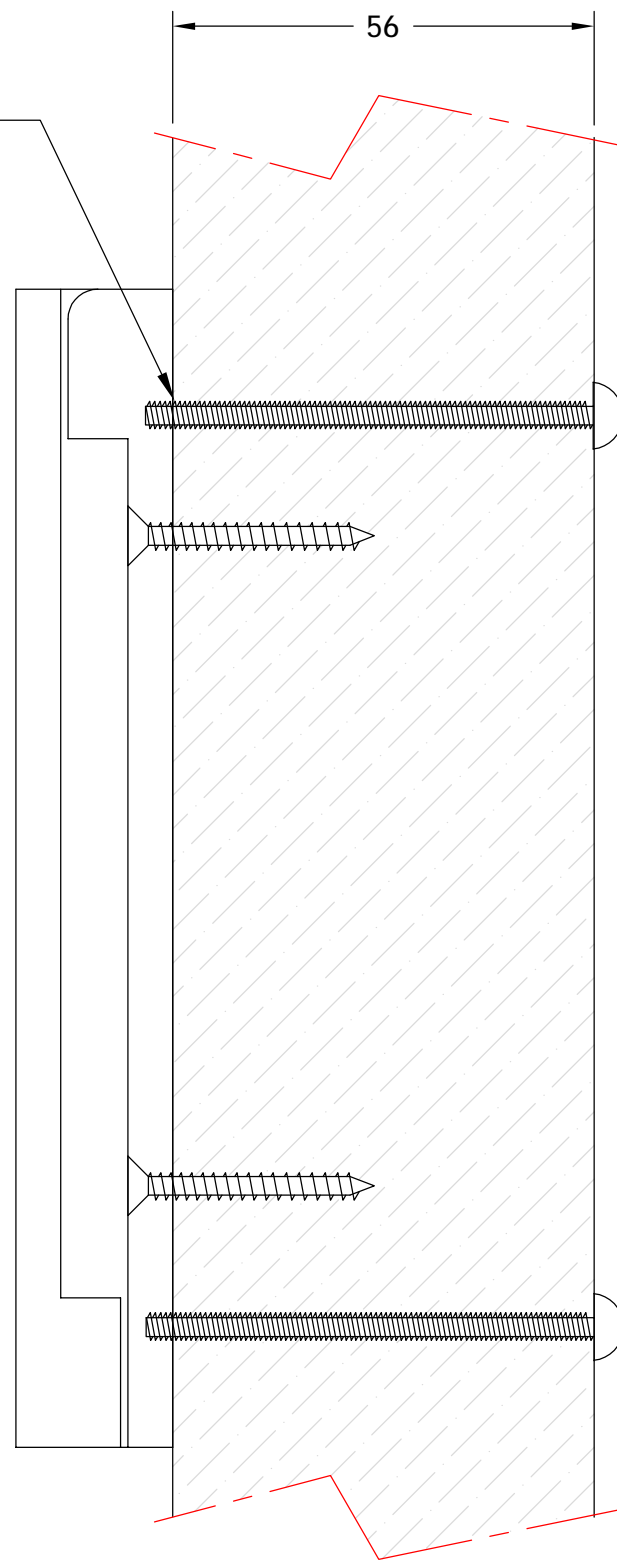
While every attempt has been made to ensure the accuracy and completeness of the information in this document some typographical or technical errors may exist. Blu Performance cannot accept responsibility for customers' losses resulting from the use of this document. Please also note that this drawing / design is subject to change without prior notice in accordance with policy of continual product development. This drawing / design contains proprietary information that is protected by copyright and is property of Blu Performance. Blu Performance is at the leading edge in joinery hardware, customer care and quality are at the core of everything we do, you can be confident that a call to Blu will be the only call you need for all your joinery hardware needs.

Revision History

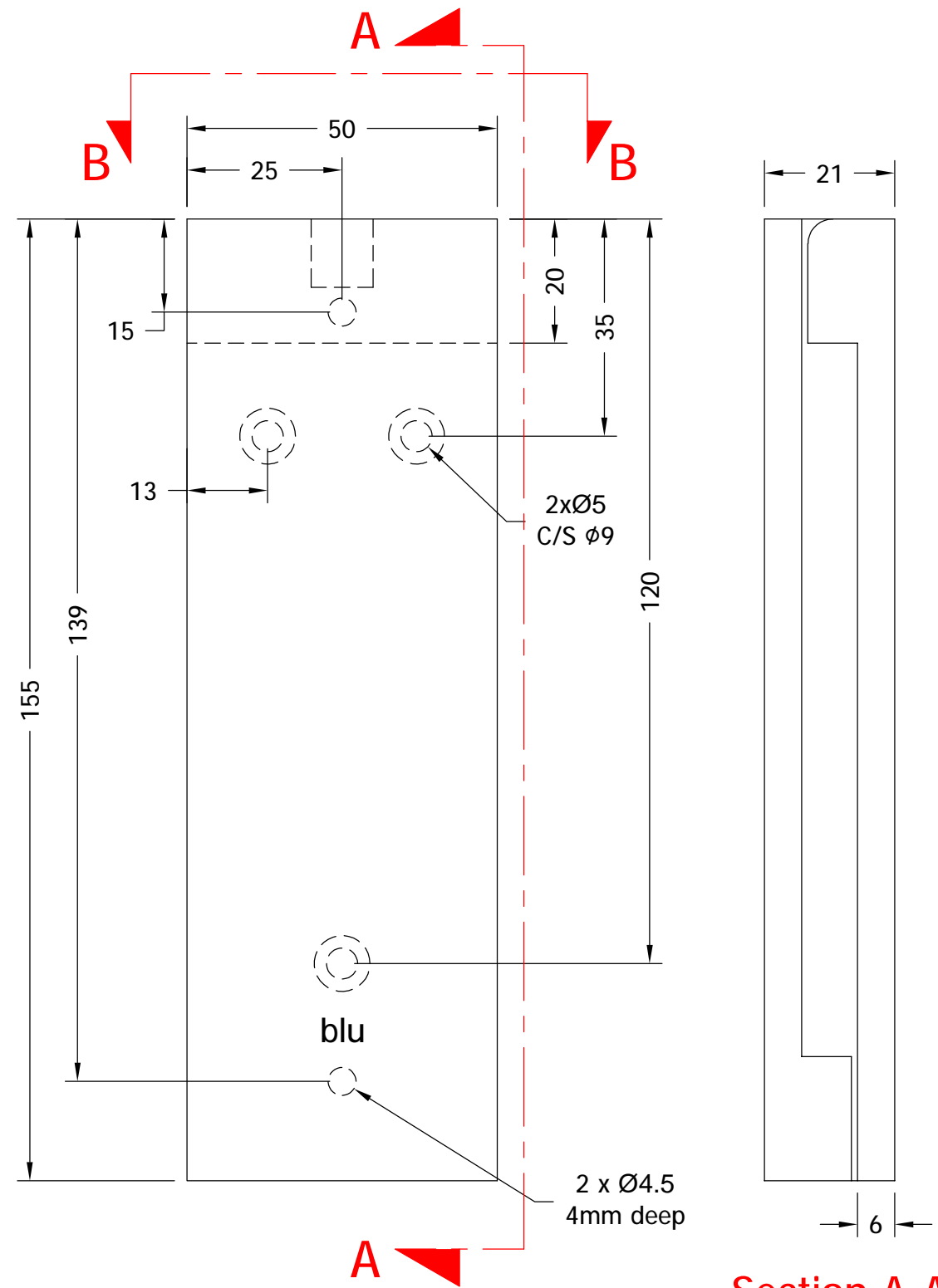
Revision	Description	DRFT	CHK	Date
B	Revised fixing holes from 33mm to 35mm	PW	BD	11/01/17
C	Revised security fixing screw head types to dome	PW	BD	25/4/17

Fix using woodscrews externally and machine screws internally for security
 machine screws suits up to 56mm thick doors

Outside

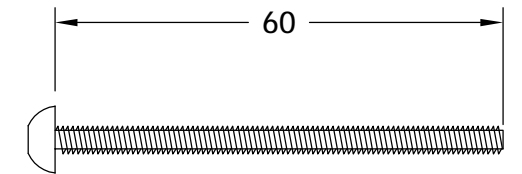


Assembled View

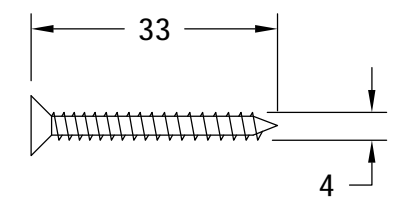


Section A-A

Section B-B



2 x 60mm Machine Screws
 Suits doors up to 56mm thick



3 x Wood Screws

WHAT'S INCLUDED IN THE BOX

QTY	DESCRIPTION
1	DKB155 DOOR KNOCKER
3	WOODSCREWS
2	60mm MACHINE SCREWS

blu Performance
 Global House
 Bojea Industrial Estate
 Trethowel, St Austell
 Cornwall, PL25 5RJ
 t | 01726 871025 f | 01726 871731
 e | sales@blu-performance.com
 w | www.blu-performance.com

Customer Reference:

blu Performance

Drawing Title:
**Door Knocker
 316 Stainless Steel**

Product Range / Project Reference
DKB155-316-SSS

Other Information: Suits any door thickness

Date Drawn: 25/04/2017

Drawn By: Phil Walklett

Drawing Number: **BP-DKB155-316.dwg** Revision: **C**

THIRD ANGLE PROJECTION

 This drawing and specification are the property of Coastal Group, they are issued in strict confidence and shall not be reproduced, copied or used without written permission.

Scale: 1:1 @A3 Sheet: 1 of 1