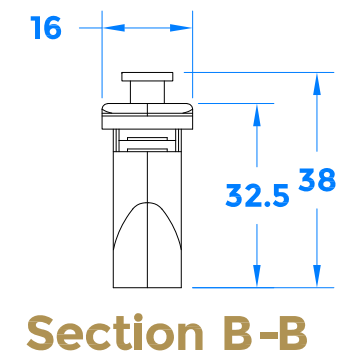
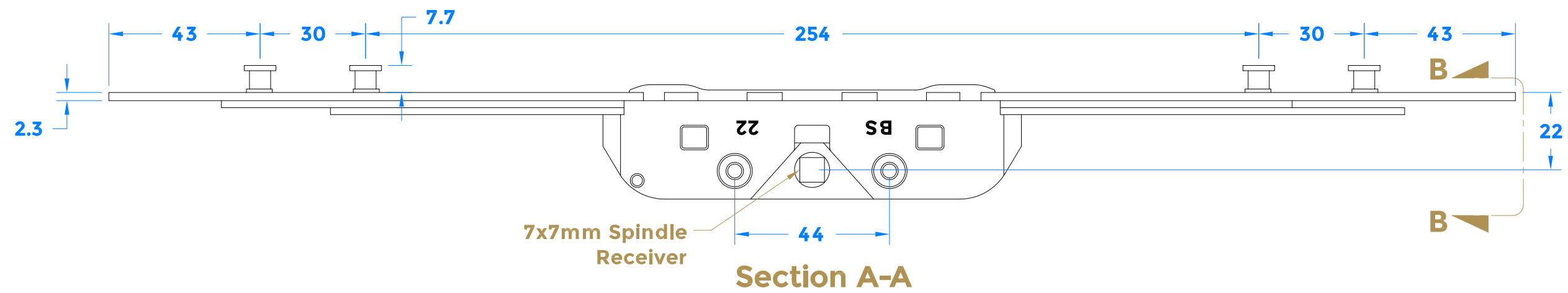
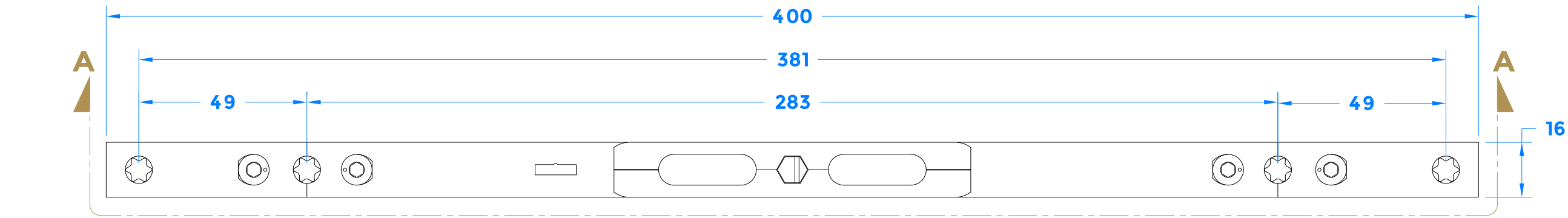
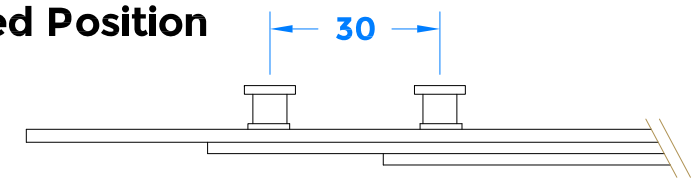


Drawing Revision History		
Revision	Description/Change	Date
A	Release	2/3/2018

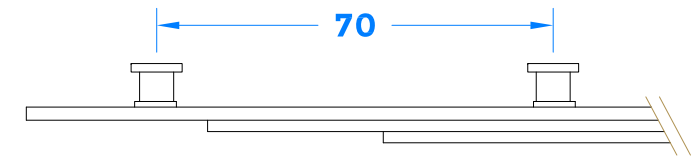


Section B-B

Closed Position



Open Position



Each CAM moves 20mm

Mushroom CAM Adjustment Guide



coastal-group.com
COASTAL
Shaping the future.

Part Number / Drawing Title:
EBT0400
Mushroom Espagnolette Bolt

Product Range:
Window Locks

Material: Tricoat EVO / Silver Passivated

Additional Info: 4 Locking Points

Date Drawn: 02/03/2018

Drawn By: Philip Walklett

Part Number: EBT0400

File Name: EBT0400.dwg

Revision: A

Drawing Scale: Not to Scale

Sheet Number: 1 of 1

THIRD ANGLE PROJECTION

This drawing and specification are the property of Coastal Specialist Ironmongery Ltd, they are issued in strict confidence and shall not be reproduced, copied or used without written permission.
 EGOE - All dimensions are specified in mm.