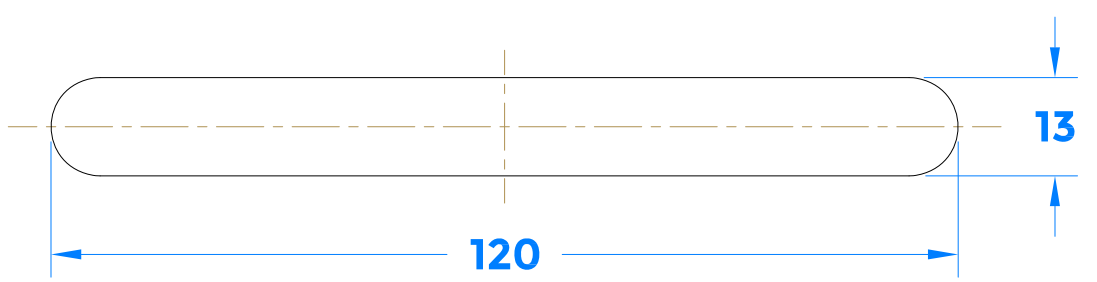
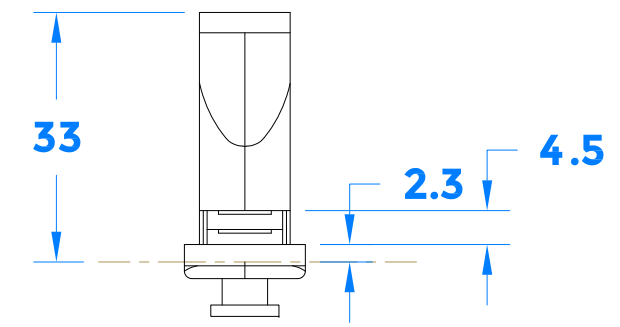


Drawing Revision History		
Revision	Description/Change	Date
A	Release	3/6/2019

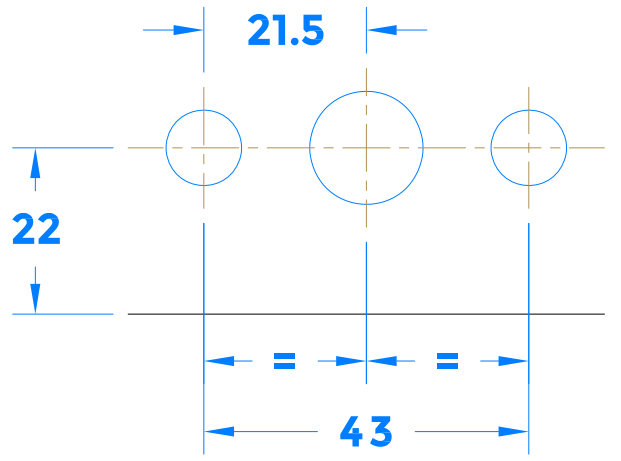
EBT Routing Preperation




Machine a 13mm wide 120mm long slot centrally to the eurogroove with a 12mm diameter cutter.



The lock case depth should be 33mm when using the 22mm backset espag.



Drill the handle holes to match the appropriate lockcase backset


coastal-group.com
Shaping the future.

COASTAL

Part Number / Drawing Title:
EBT Espagnolette Bolts Routing Preperation

Product Range:
Window Locks

Material: Tricoat EVO / Silver Passivated

Additional Info:

Date Drawn: 03/06/2019

Drawn By: Philip Walklett

Part Number: EBT

File Name: EBT-RoutingPrep.dwg

Revision: A

Drawing Scale: 1:1@ A3

Sheet Number: 1 of 1

THIRD ANGLE PROJECTION

This drawing and specification are the property of Coastal Specialist Ironmongery Ltd, they are issued in strict confidence and shall not be reproduced, copied or used without written permission.
 EGOE - All dimensions are specified in mm.