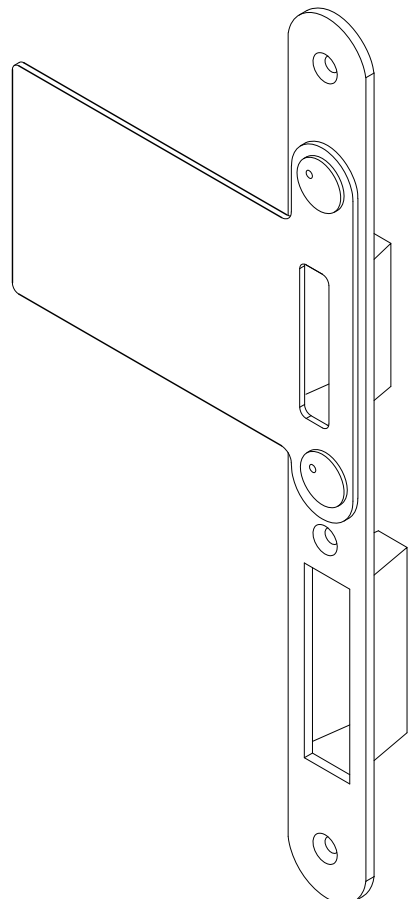
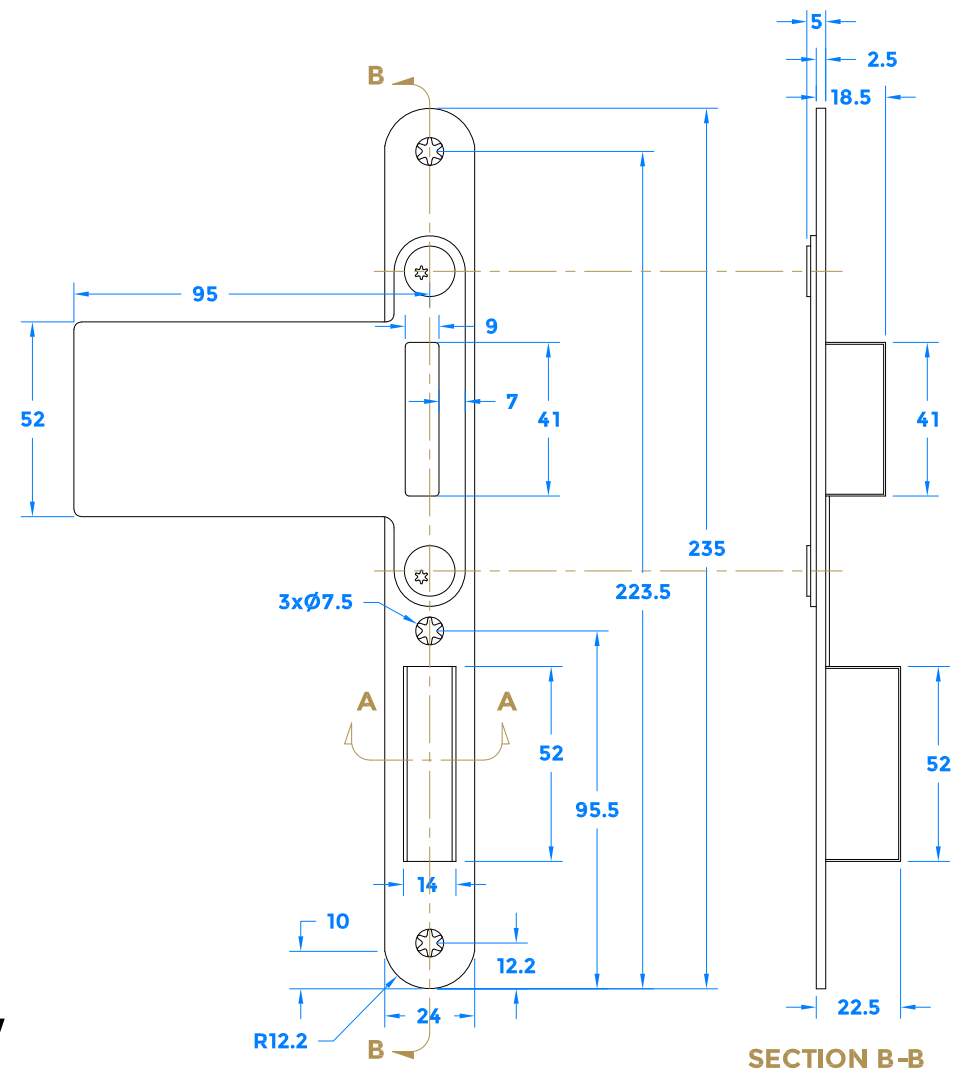


| Drawing Revision History | | |
|--------------------------|--------------------|----------|
| Revision | Description/Change | Date |
| A | Release | 28/10/22 |



Isometric View

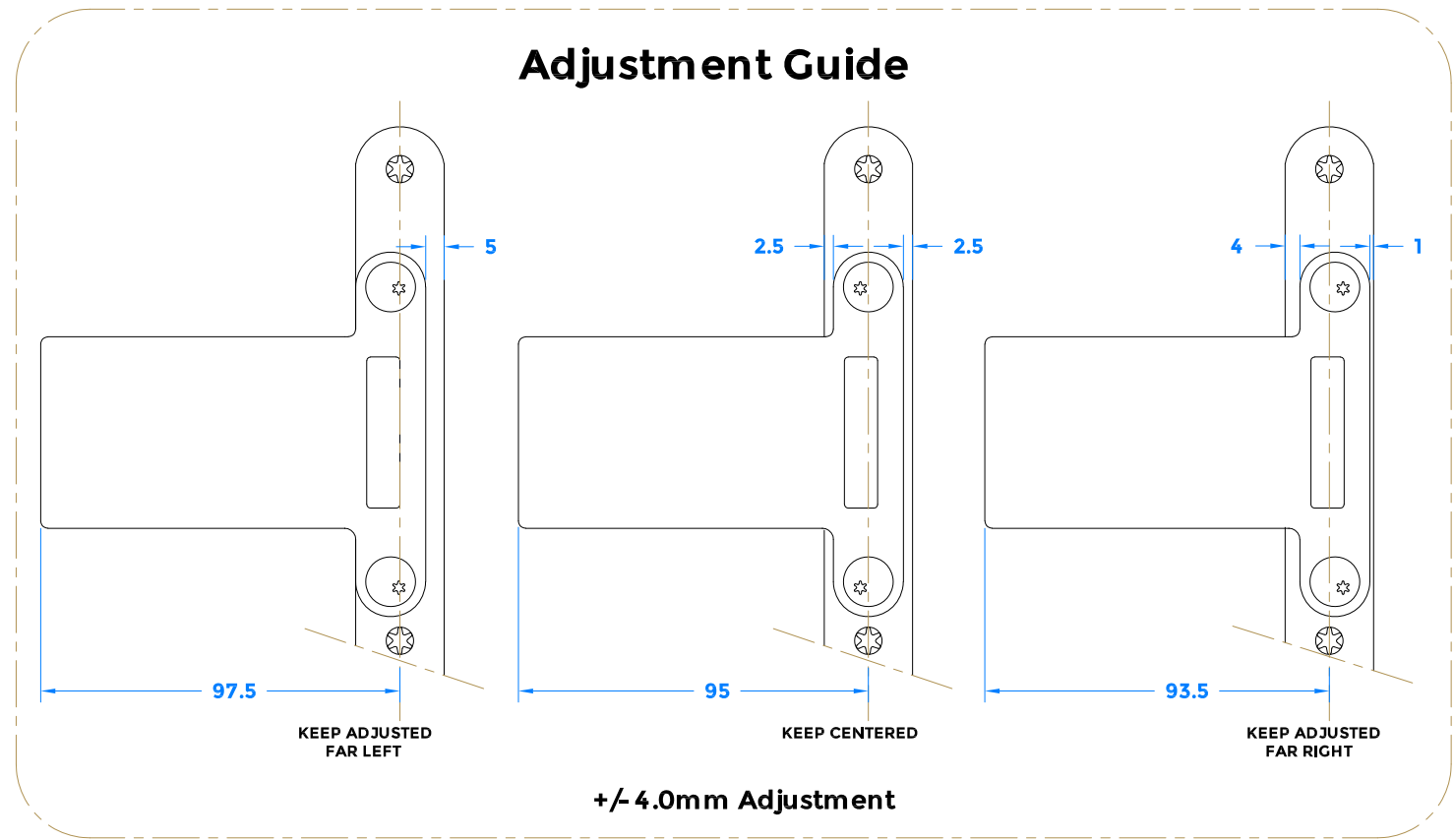


SECTION B-B

SECTION A-A

Left Hand Shown, Right Hand Opposite.

Adjustment Guide



coastal-group.com
Shaping the future.

COASTAL

Part Number / Drawing Title:
MK9-95
Centre Keep, 95mm Centre Line

Product Range:
Door Locks & Keeps

Material: Silver Passivated

Additional Info: Left Hand Shown, Right Hand Opposite

Date Drawn: 28/10/2022

Drawn By: Phillip Walklett

Part Number: MK9-95

File Name: MK9-95.dwg

Revision: A

Drawing Scale: Not to Scale

Sheet Number: 1 of 1

THIRD ANGLE PROJECTION

This drawing and specification are the property of Coastal Specialist Ironmongery Ltd, they are issued in strict confidence and shall not be reproduced, copied or used without written permission.
EAOE - All dimensions are specified in mm.