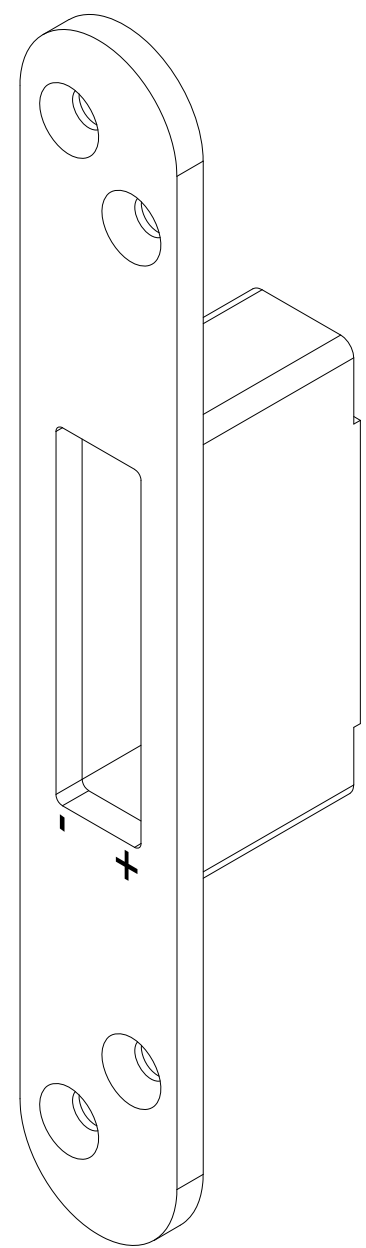


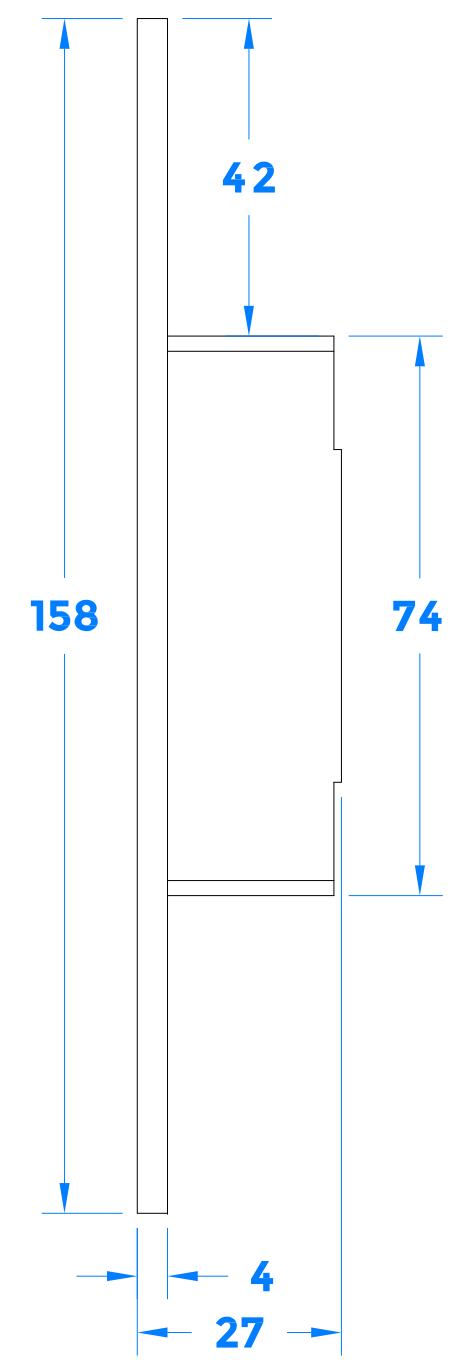
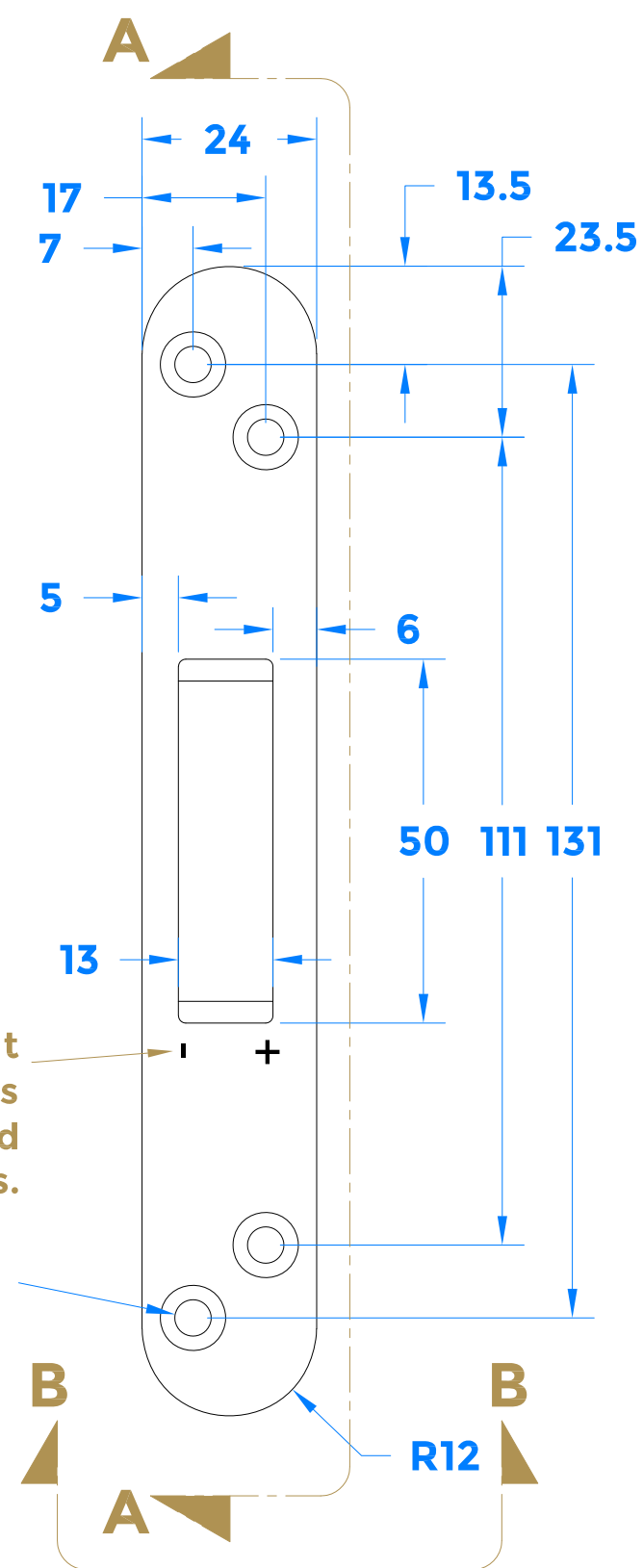
Drawing Revision History		
Revision	Description/Change	Date
A	Release	28/10/22



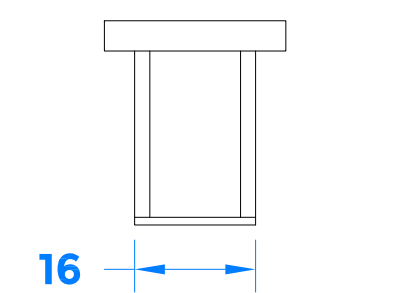
Isometric View

To adjust this keep you take it out and turn it around. The pocket is offset by 1mm and is marked by the + & - symbols.

4 x Ø5
CSK Ø9



Section A-A



Section B-B

COASTAL *Shaping the future.* coastal-group.com

Part Number / Drawing Title:
**MK7-FTB - Premium
Flush Adjustable Single Keep**

Product Range:
Door Locks & Keeps

Material: Anodised Aluminium

Additional Info: Universally Handed

Date Drawn: 28/10/2022

Drawn By: Philip Walklett

Part Number: MK7-FTB

File Name: MK7-FTB.dwg

Revision: A

Drawing Scale: 1:1 @ A3

Sheet Number: 1 of 1

THIRD ANGLE PROJECTION

This drawing and specification are the property of Coastal Specialist Ironmongery Ltd, they are issued in strict confidence and shall not be reproduced, copied or used without written permission.
EAOE - All dimensions are specified in mm.