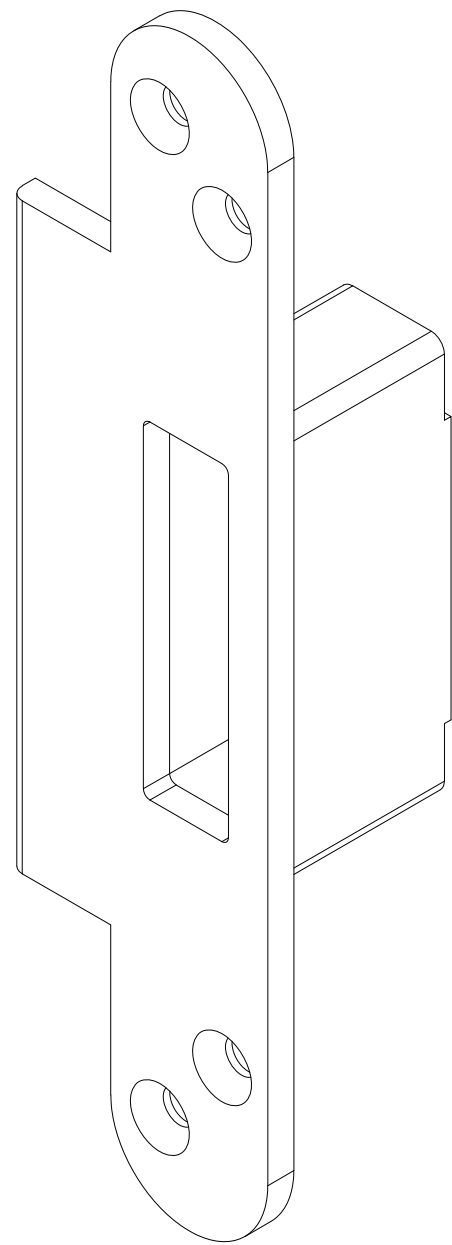
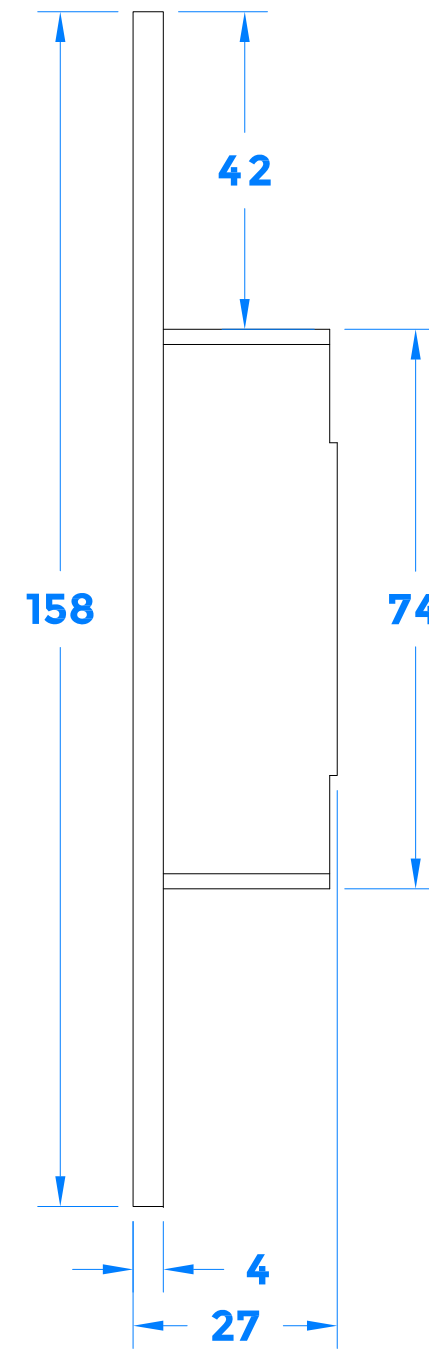
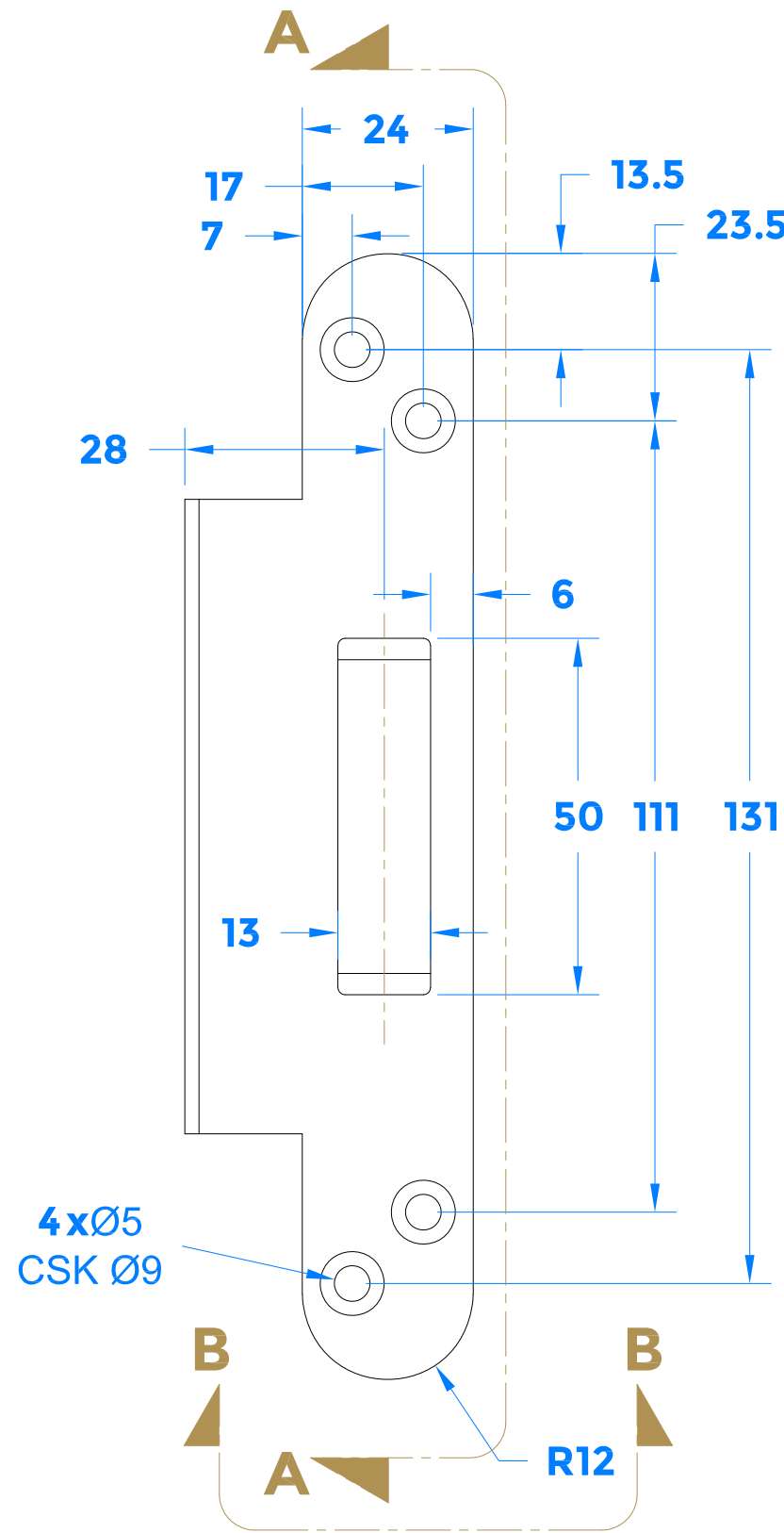


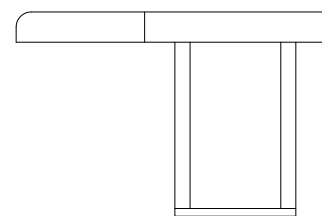
Drawing Revision History		
Revision	Description/Change	Date
A	Release	28/10/22



Isometric View



Section A-A



Section B-B

coastal-group.com  
*Shaping the future.*

**COASTAL**

Part Number / Drawing Title:  
**MK7-FTB-TAB-28**  
**Flush Non-Adjustable Single Keep**

Product Range:  
**Door Locks & Keeps**

Material: Anodised Aluminium

Additional Info: Universally Handed - 28mm Centre Line

Date Drawn: 28/10/2022

Drawn By: Philip Walklett

Part Number: MK7-FTB-TAB-28

File Name: MK7-FTB-TAB-28.dwg

Revision: A

Drawing Scale: 1:1@ A3

Sheet Number: 1 of 1

THIRD ANGLE PROJECTION

This drawing and specification are the property of Coastal Specialist Ironmongery Ltd, they are issued in strict confidence and shall not be reproduced, copied or used without written permission.  
EAOE - All dimensions are specified in mm.