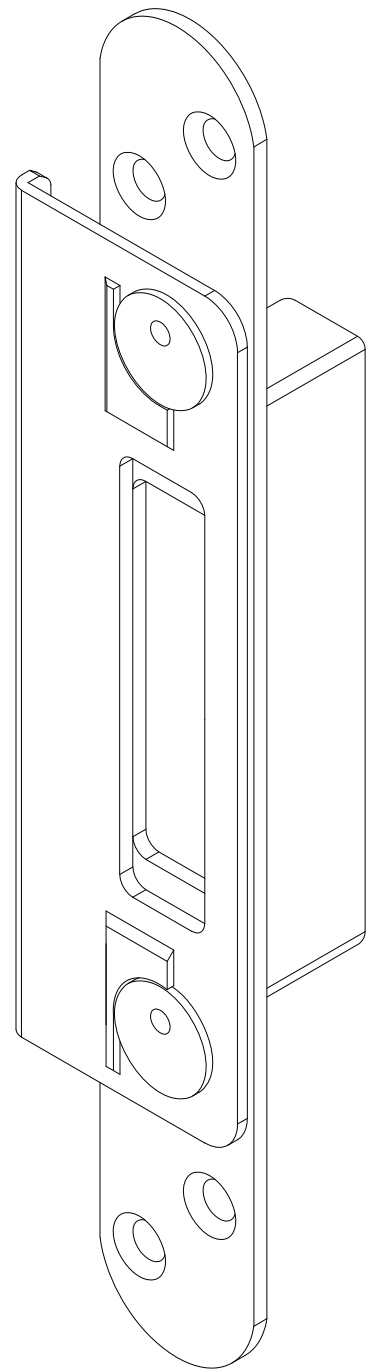
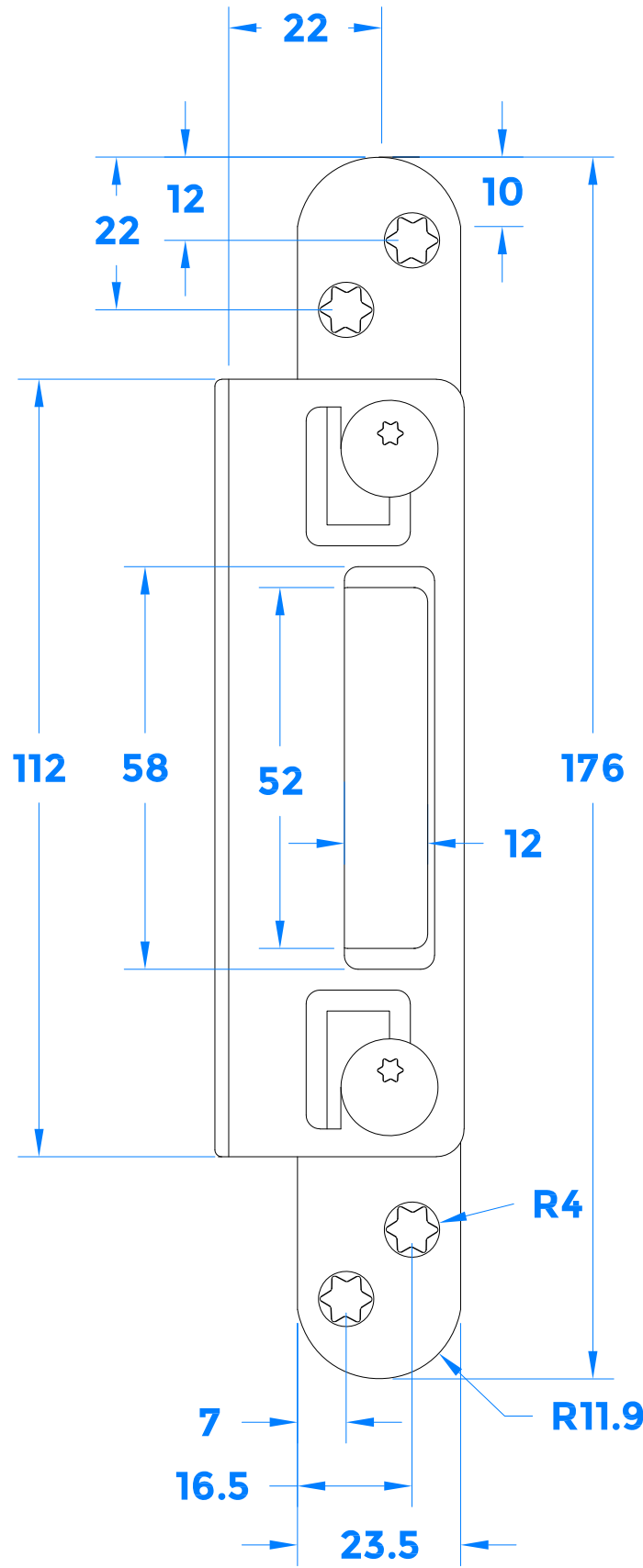


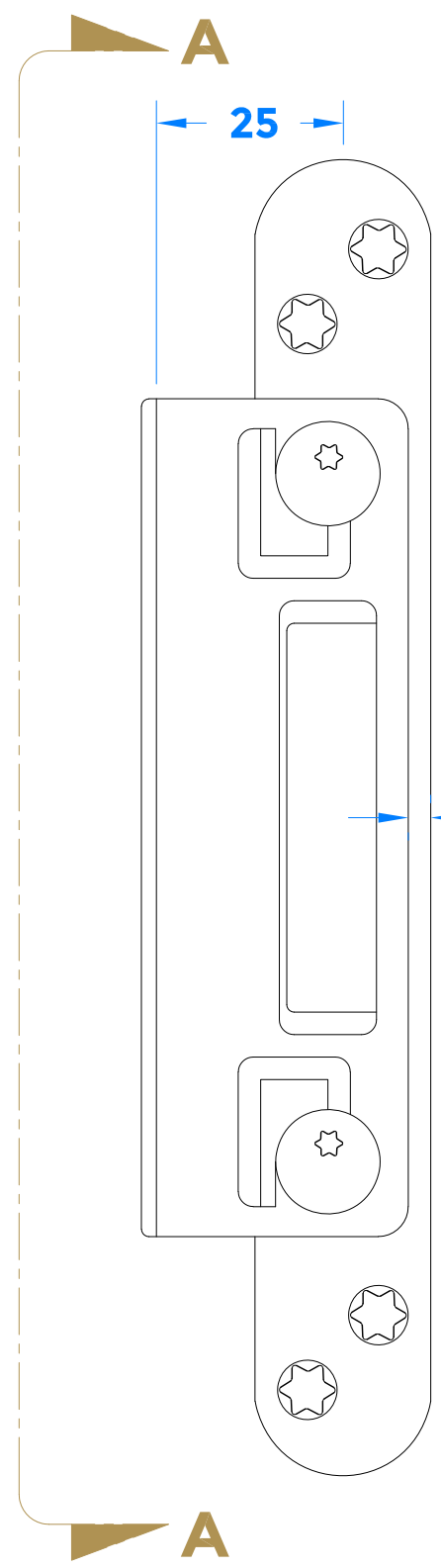
Drawing Revision History		
Revision	Description/Change	Date
A	Release	22/2/2022



Isometric View

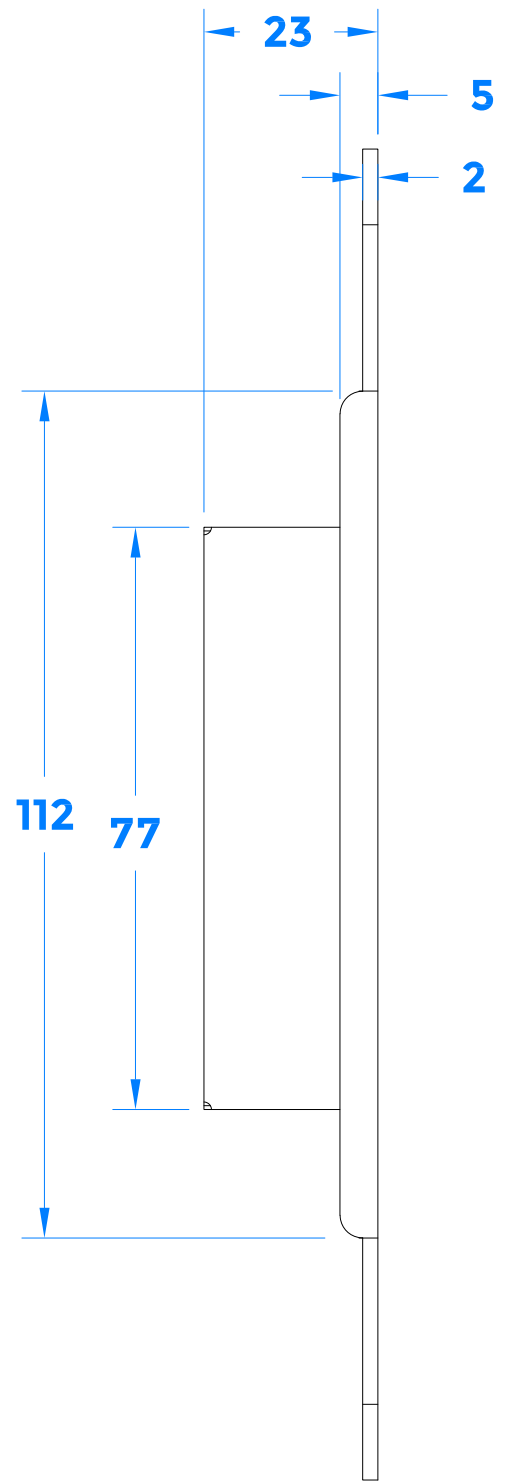


Adjustment TOP



Adjustment BOTTOM

+/- 3.0mm Adjustment



Section A-A

coastal-group.com
Shaping the future.

COASTAL

Part Number / Drawing Title:
MK7-TAB-22
Adjustable Single Keep

Product Range:
Door Locks & Keeps

Material: Silver Passivated

Additional Info: Universally Handed - 22mm Centre Line

Date Drawn: 28/10/2022

Drawn By: Phillip Walklett

Part Number: MK7-TAB-22

File Name: MK7-TAB-22.dwg

Revision: A

Drawing Scale: 1:1@ A3

Sheet Number: 1 of 1

THIRD ANGLE PROJECTION

This drawing and specification are the property of Coastal Specialist Ironmongery Ltd, they are issued in strict confidence and shall not be reproduced, copied or used without written permission.
EAOE - All dimensions are specified in mm.