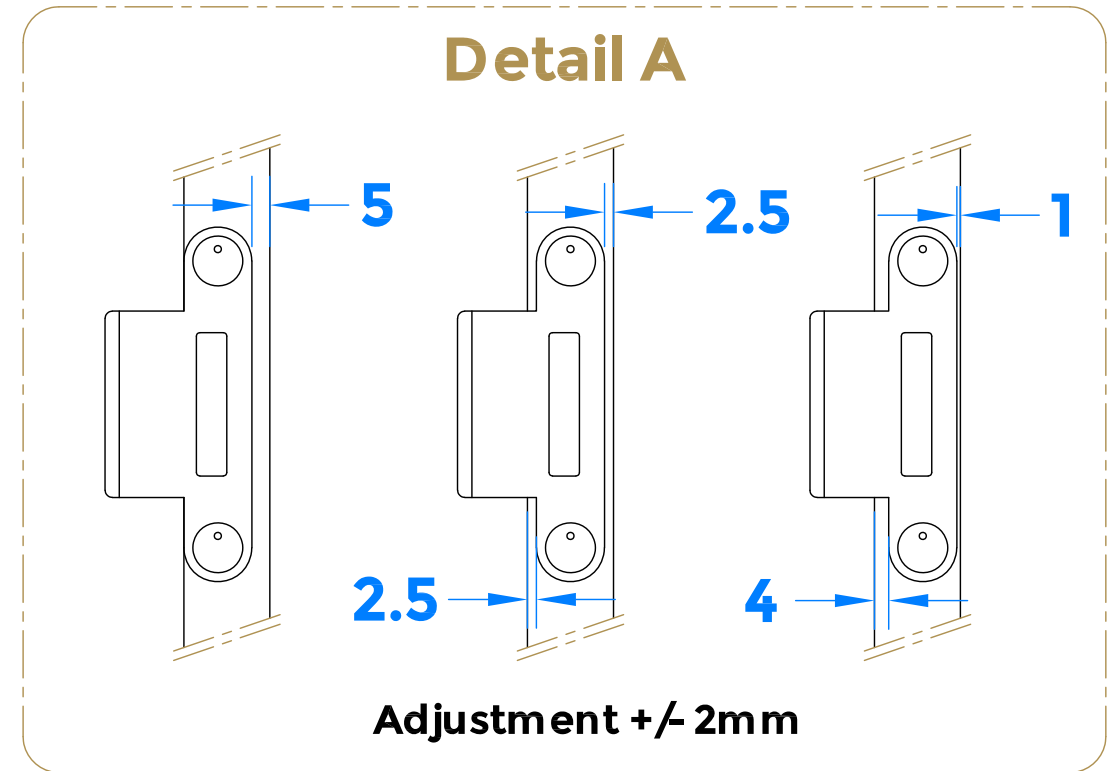
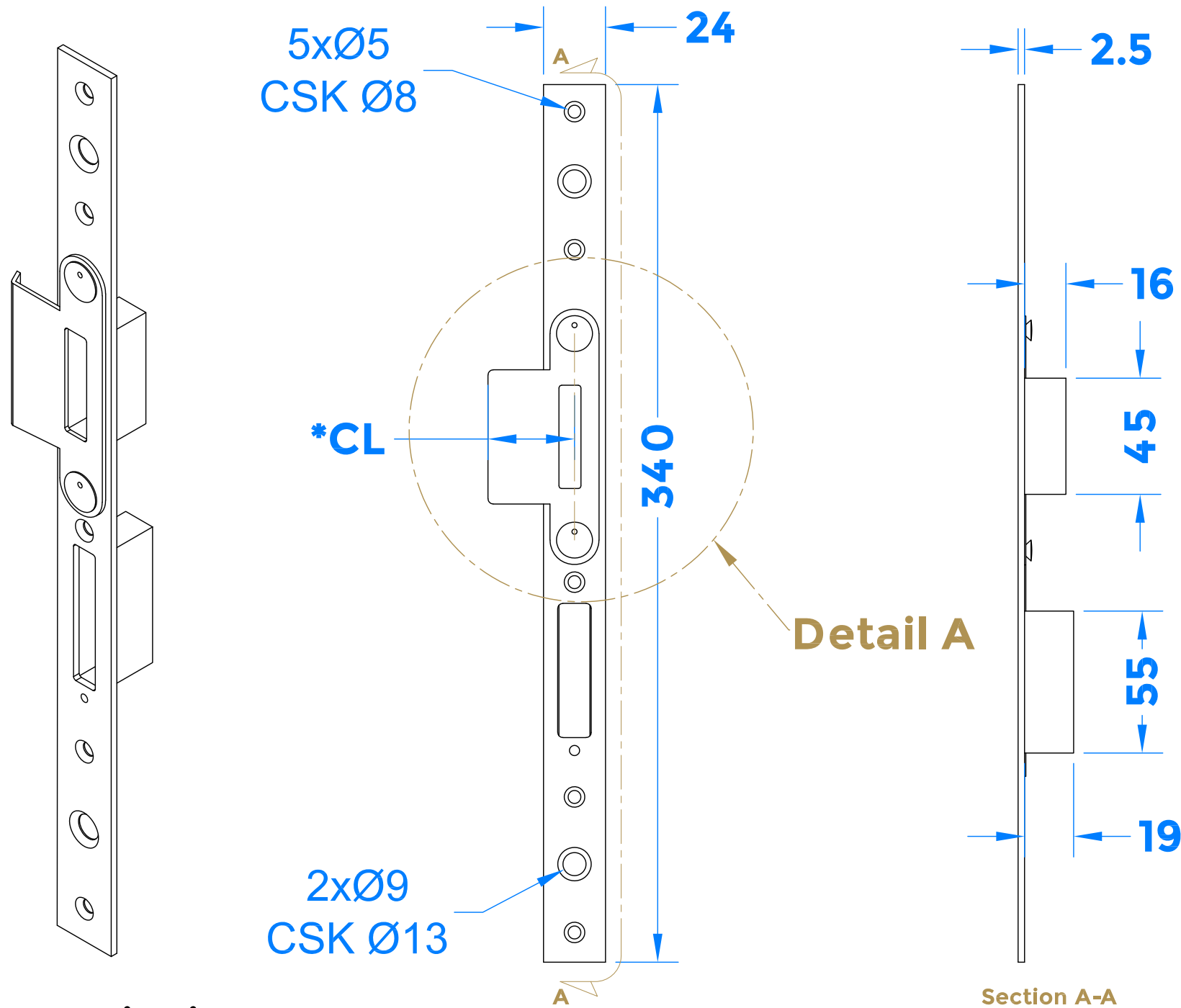


Drawing Revision History		
Revision	Description/Change	Date
A	Release	22/2/2022

Left Hand Shown, Right Hand Opposite



*** Centre Line - 22, 28, 33, 70 & 95mm Available**

Isometric View

For use with MK26 to make full length surface adjustable keep.

coastal-group.com
Shaping the future.

COASTAL

Part Number / Drawing Title:
**MK10-LH
340mm Tabbed Centre Keep**

Product Range:
Door Locks & Keeps

Material: Silver Passivated

Additional Info: Left Hand Shown, Right Hand Opposite

Date Drawn: 28/10/2022

Drawn By: Philip Walklett

Part Number: MK10-LH

File Name: MK10-LH.dwg

Revision: A

Drawing Scale: Not to Scale

Sheet Number: 1 of 1

THIRD ANGLE PROJECTION

This drawing and specification are the property of Coastal Specialist Ironmongery Ltd, they are issued in strict confidence and shall not be reproduced, copied or used without written permission.
E&OE - All dimensions are specified in mm.