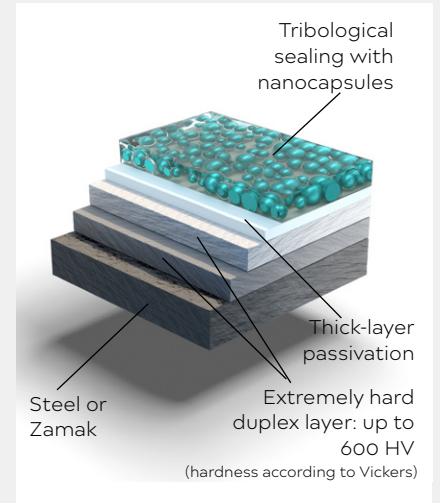


MACO TRICOAT EVO RANGE EBT RAIL ESPAGNOLETTE BOLT

Product Code: EBT

LIT-DC-EBT-TE



Caseament Window Hardware Range

- EBT RAIL espagnolette bolt is the ultimate inline multipoint locking system for side hung or top hung single windows
- The R.A.I.L. (Reverse Action Inline) bolt operation pulls the locking cams together, clamping them into both sides of the striker plate for strength and security
- Provides BS7950 levels of security for your windows without the need to fit a shootbolt espagnolette bolt
- Symmetrical design with no cropping or extensions required making fabrication fast and simple
- These espag bolts cannot be cropped

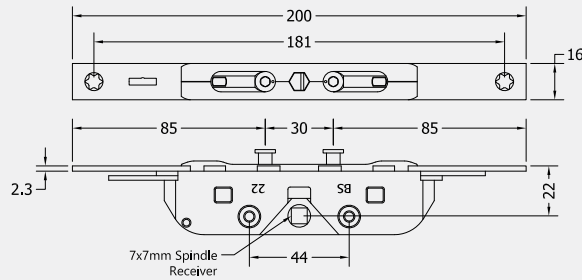


COASTAL

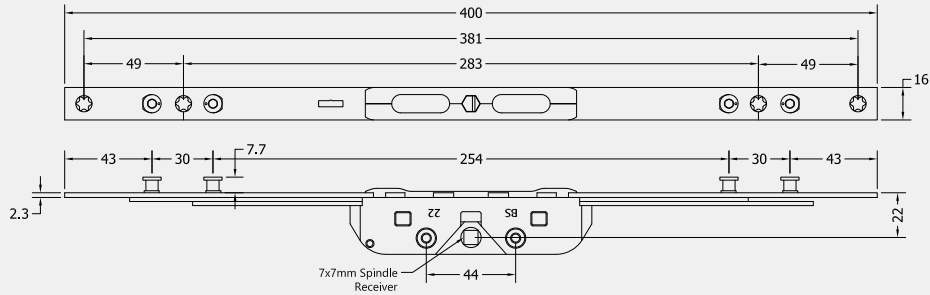
Shaping the future.

EBT RAIL ESPAGNOLETTE BOLT

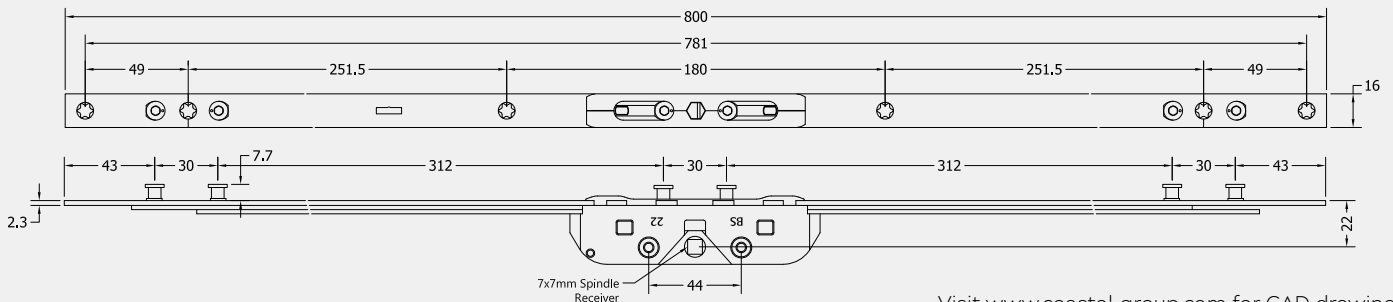
EBT0200



EBT0400



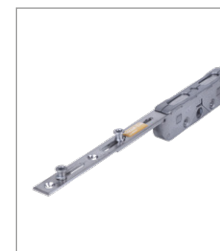
EBT0800



Visit www.coastal-group.com for CAD drawings

PART NUMBER	PRODUCT DESCRIPTION	FINISH	UNITS
EBT0200-22-TE	200mm bolt, 7.7mm mushroom, 1 locking point, 22mm backset	TE	Each
EBT0400-22-TE	400mm bolt, 7.7mm mushroom, 2 locking point, 22mm backset	TE	Each
EBT0600-22-TE	600mm bolt, 7.7mm mushroom, 2 locking point, 22mm backset	TE	Each
EBT0800-22-TE	800mm bolt, 7.7mm mushroom, 3 locking point, 22mm backset	TE	Each
EBT1000-22-TE	1000mm bolt, 7.7mm mushroom, 3 locking point, 22mm backset	TE	Each
EBT1200-22-TE	1200mm bolt, 7.7mm mushroom, 3 locking point, 22mm backset	TE	Each

FINISHES:



TE
Maco Tricoat Evo

BENEFITS OF FITTING MACO TRICOAT HARDWARE:

- More than twice exceeds Class 5 corrosion resistance standards BS EN 6170:2007
- 15 year surface guarantee, 10 year guarantee when fitted to acidic timber such as Accoya & oak
- Extremely resistant to scratching, repelling water & dirt
- Tested & proven durability in accordance with salt spray test EN ISO 9227
- Matt finish provides a premium look & feel
- Durable & self-healing coating which means the performance of the surface finish is maintained throughout the lifetime of the hardware
- Reduces the risk of potential call-backs from homeowners
- Suitable for use on or near the coast, in areas of high pollution, such as large cities and in acidic timber such as Accoya & oak

