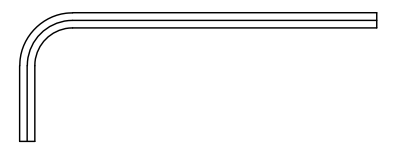
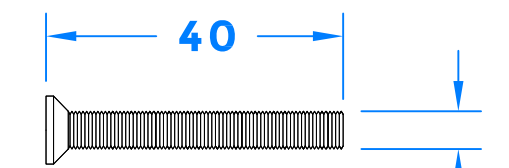
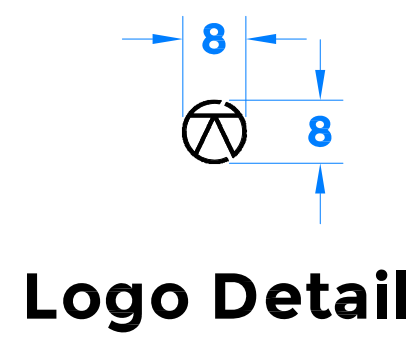
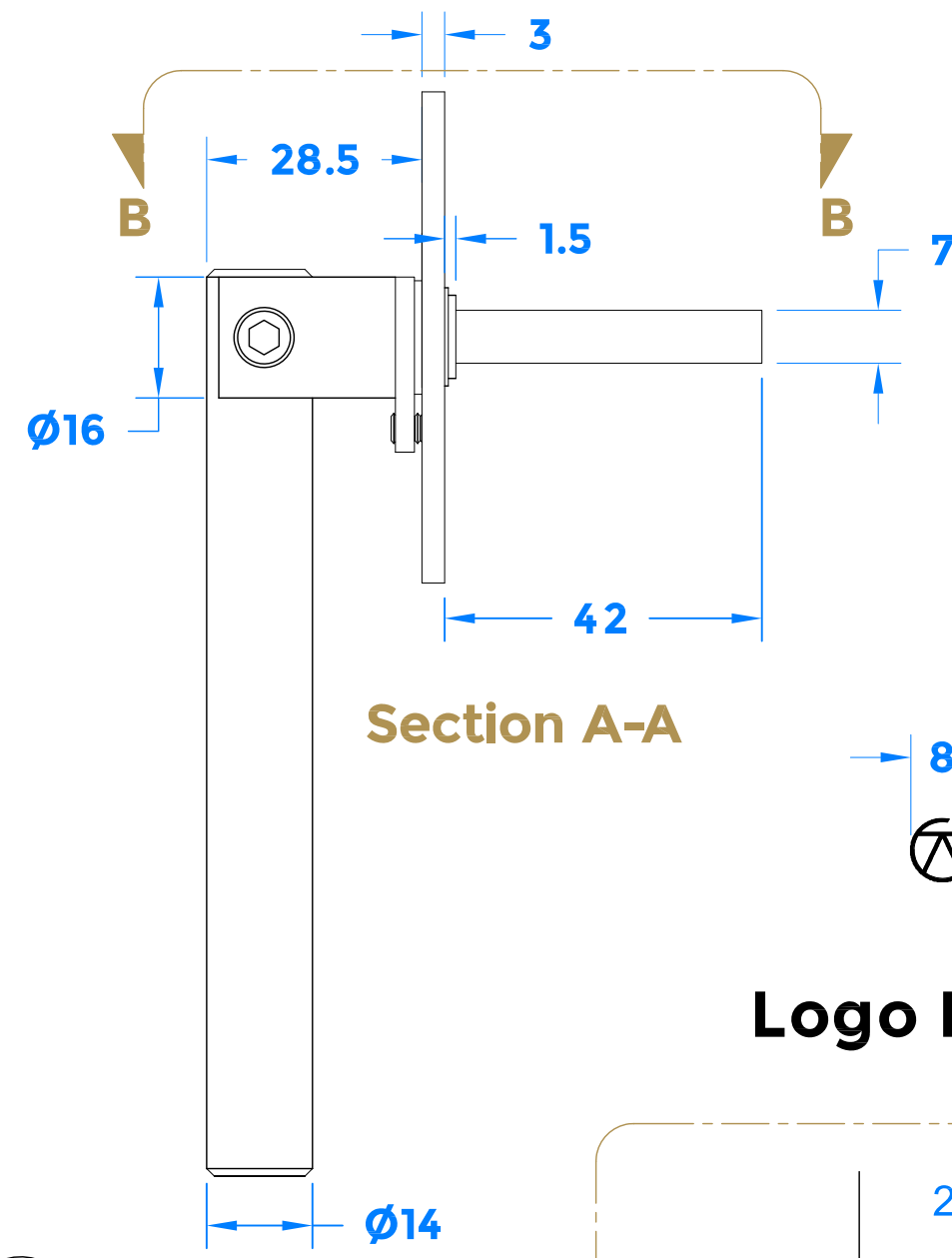
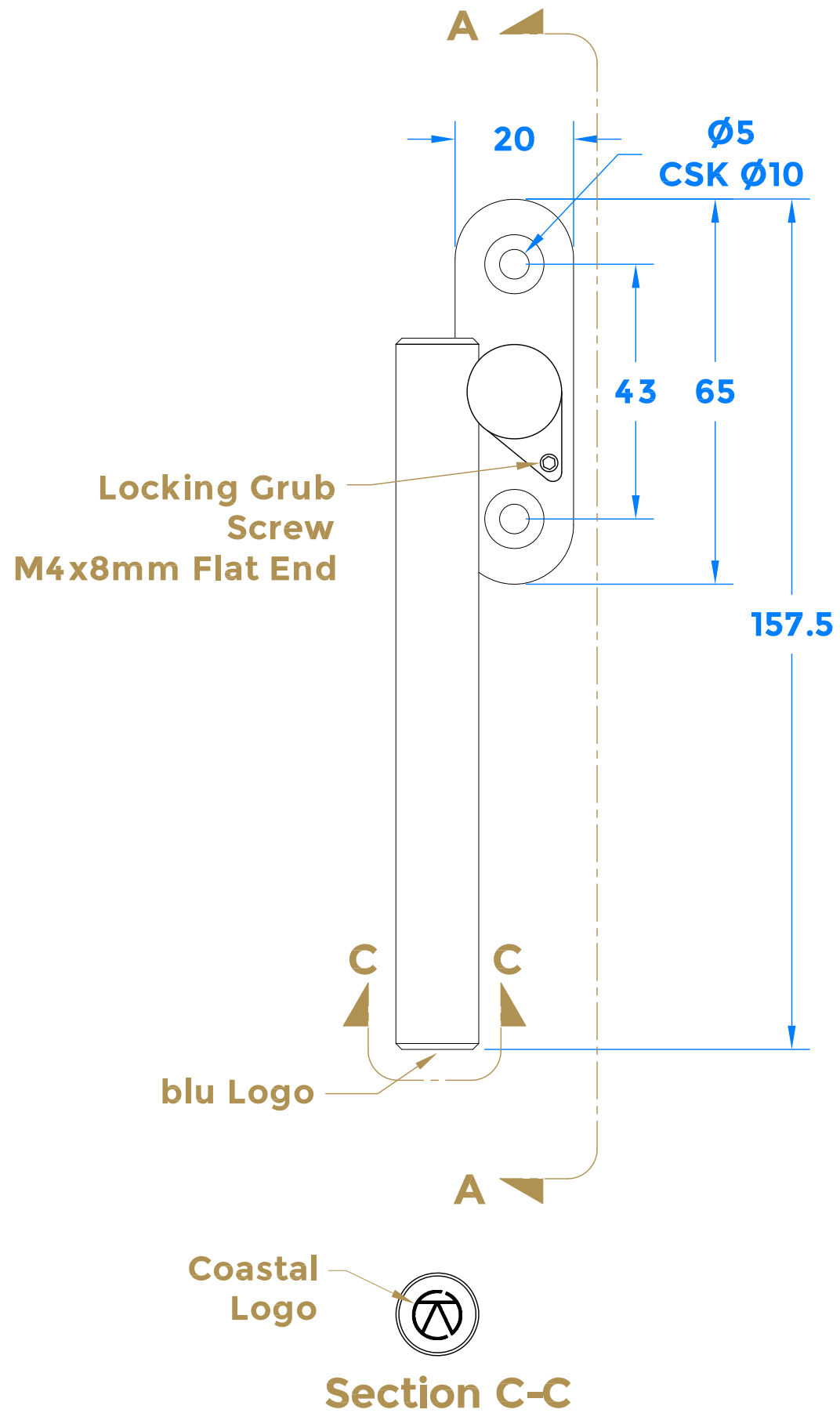
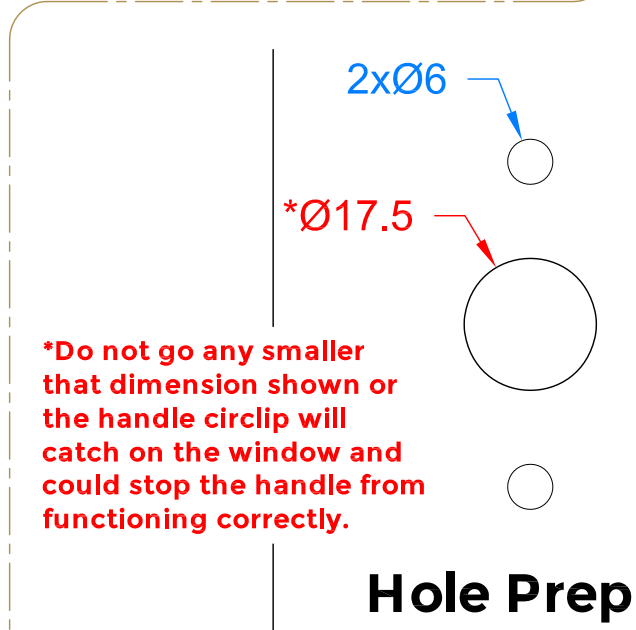


Left Hand shown, Right Hand Opposite

Drawing Revision History		
Revision	Description/Change	Date
A	Release	4/11/2022



QTY	DESCRIPTION
1	Offset Handle
1	2mm Allen Key
2	M5 X 40 Machine Screw



coastal-group.com
 Shaping the future.

COASTAL

Part Number / Drawing Title:
SST81 - BLU Contemporary Locking Window Espag Handle

Product Range:
Window Handles

Material: 316 Stainless Steel

Additional Info: Left Hand Shown, Right Hand Opposite

Date Drawn: 04/11/2022

Drawn By: Phillip Walklett

Part Number: SST81-LH

File Name: SST81-LH.dwg

Revision: A

Drawing Scale: 1:1 @ A3

Sheet Number: 1 of 1

THIRD ANGLE PROJECTION

This drawing and specification are the property of Coastal Specialist Ironmongery Ltd, they are issued in strict confidence and shall not be reproduced, copied or used without written permission.
 EAOE - All dimensions are specified in mm.