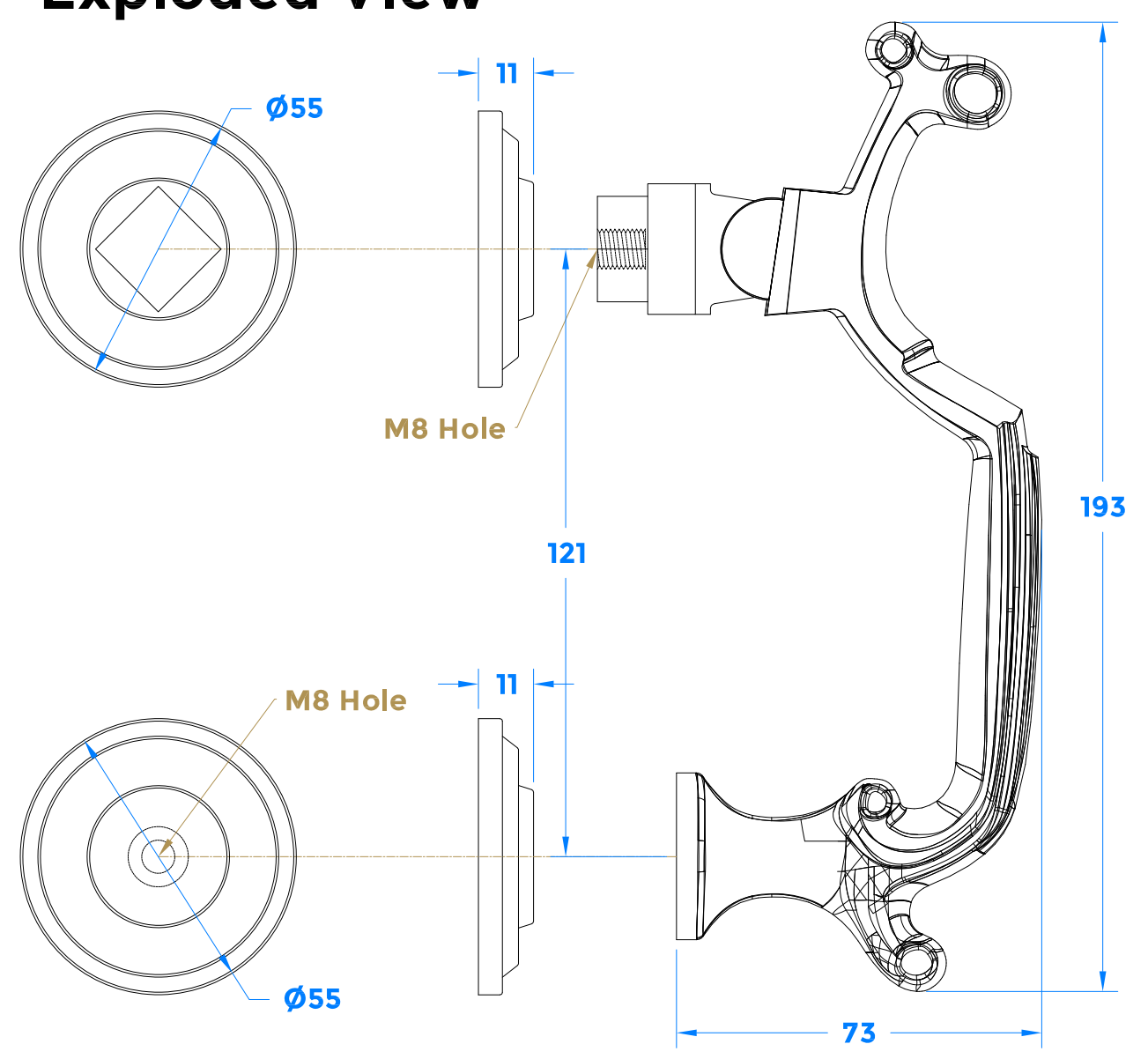


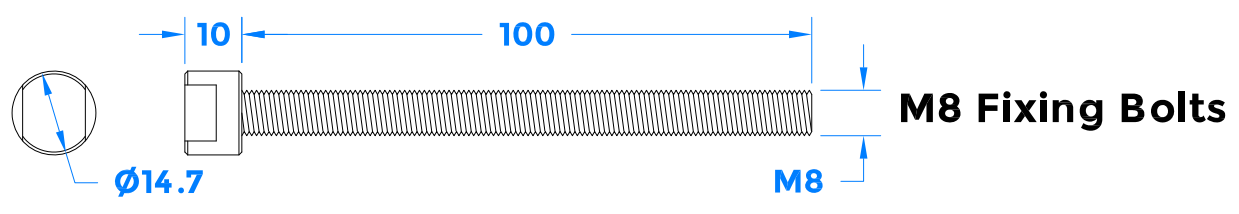
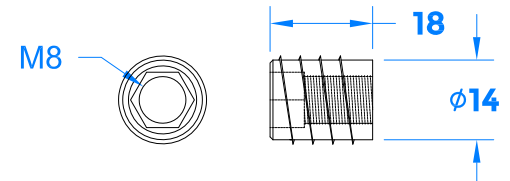
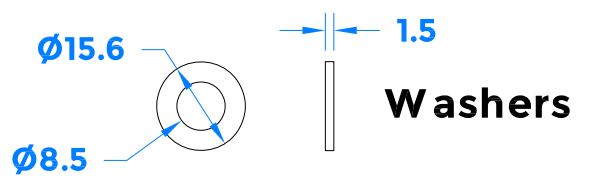
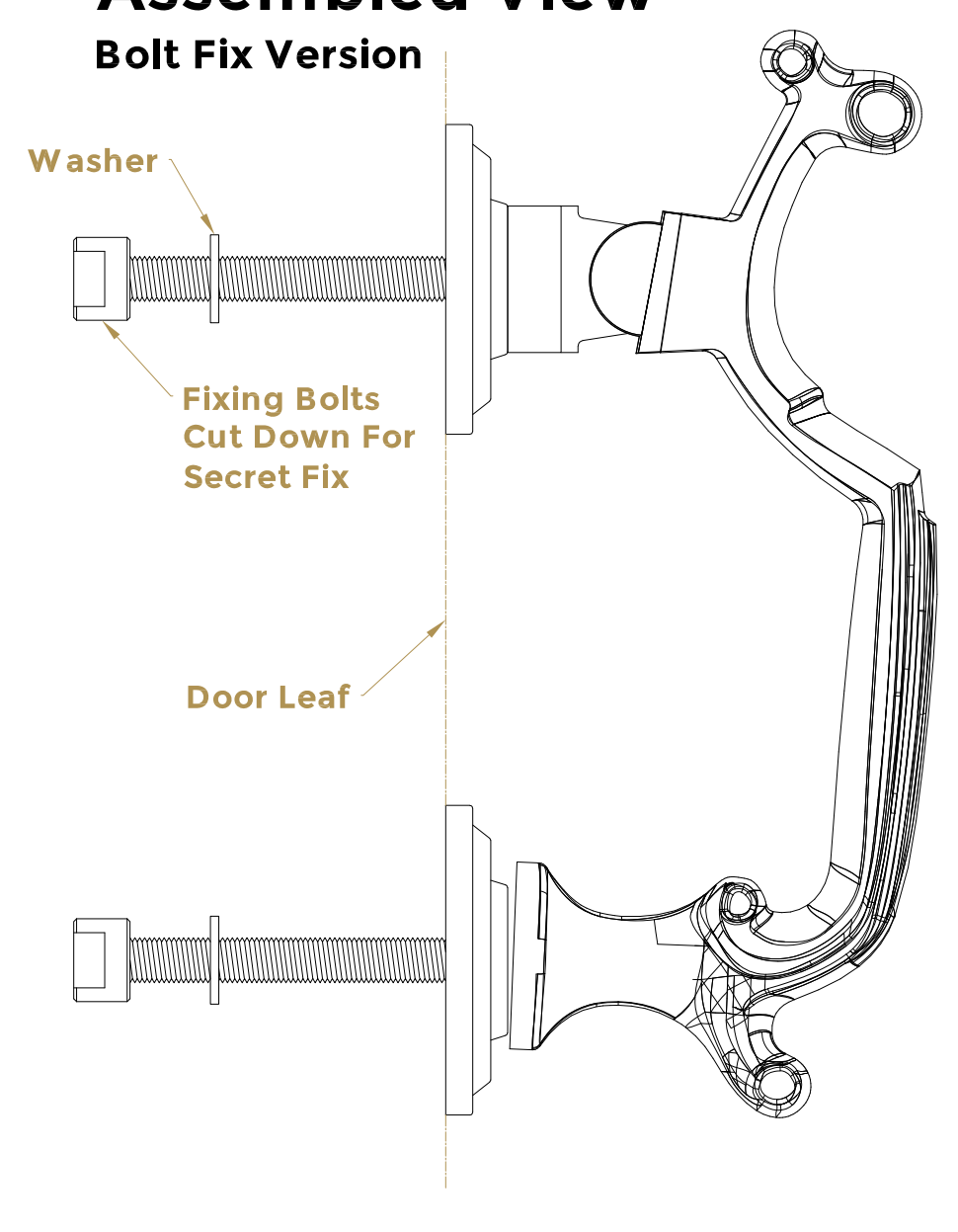
REVISION HISTORY		
Revision	Description	Date
A	RELEASE	18/5/2022


Exploded View



Assembled View

Bolt Fix Version





coastal-group.com
Shaping the future

COASTAL

Part Number / Drawing Title:
DKB195
Doctors Door Knocker

Product Range:
Door Furniture

Material:	316 Stainless Steel
Additional Info:	Bolt Fix & Secret Fix
Date Drawn:	18/05/2022
Drawn By:	Phillip Walklett
Part Number:	DKB195
File Name:	DKB195.dwg
Revision:	A
Drawing Scale:	1:1@ A3
Sheet Number:	1 of 1

THIRD ANGLE PROJECTION

This drawing and specification are the property of Coastal Specialist Ironmongery Ltd, they are issued in strict confidence and shall not be reproduced, copied or used without written permission.
E&OE - All dimensions are specified in mm.

Din A3 - Landscape