

BLU RANGE DOCTORS DOOR KNOCKER

Product Code: DKB195

LIT-DC-DKB195



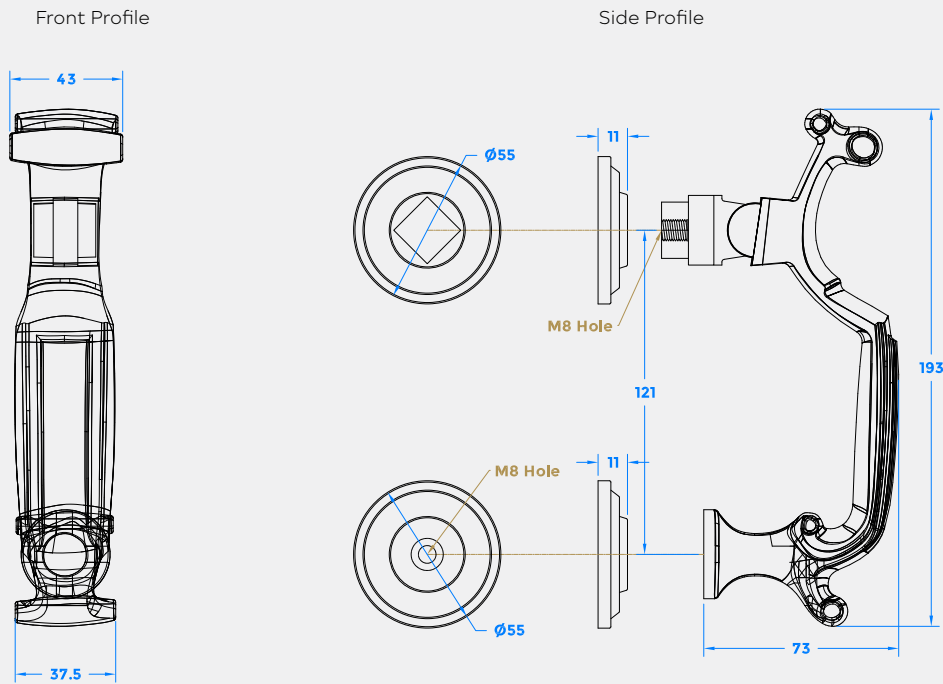
316 Marine Grade Stainless Steel Hardware Range

- Doctors front door knocker adds elegance to timber, composite, PVC and aluminium front doors
- Part of a suited range of hardware
- Supplied with striker plate and matching fixings for either secret fix (face) or bolt fix
- Ideal for use where corrosion levels are high such as coastal environments and with acidic timber
- Quality feel and sound to make an all important first impression on your front door
- Manufactured from 316 Marine Grade Stainless Steel
- Lifetime guarantee



COASTAL

Shaping the future.



Visit www.coastal-group.com for CAD drawings

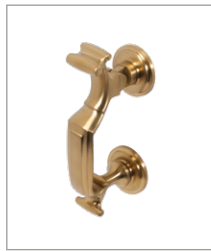
FINISHES:



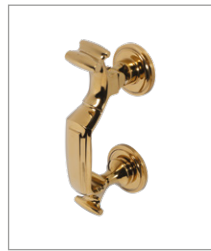
SSS
Satin Stainless Steel



PSS
Polished Stainless Steel



PSB
PVD Satin Brass



PPB
PVD Polished Brass



PBK
PVD Satin Black

PART NUMBER	PRODUCT DESCRIPTION	FINISH	UNITS
DKB195-SSS	Doctors door knocker	SSS	Each
DKB195-PSS	Doctors door knocker	PSS	Each
DKB195-PSB	Doctors door knocker	PSB	Each
DKB195-PPB	Doctors door knocker	PPB	Each
DKB195-PBK	Doctors door knocker	PBK	Each



COASTAL

Shaping the future.