

EGRESS FRICTION HINGE - SIDE HUNG

Product Code: DSEO

LIT-DC-DSEO



Window Friction Hinge Range

- Egress Friction Hinge for Side Hung Windows
- Made from Ferritic Stainless Steel
- Compatible with PVCu, Timber & Aluminium Windows
- 16" - 409mm Side Hung Hinge
- Slider with friction
- Minimum vent width 400mm
- Maximum vent width 700mm
- 84 degree operating angle
- Endurance tested to 20,000 cycles
- Corrosion tested to 96 hours NSS
- 10 year mechanical guarantee

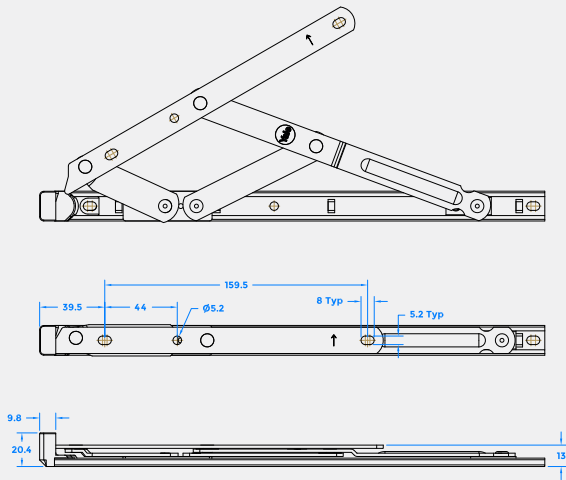


COASTAL

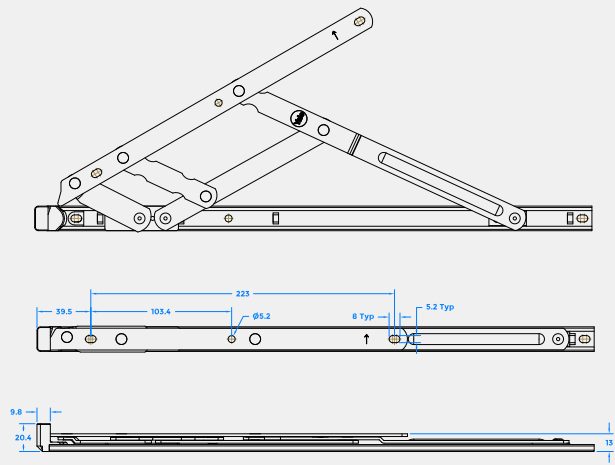
Shaping the future.

DEFENDER EGRESS EASY CLEAN FRICTION HINGE - SIDE HUNG

DSE12



DSE16



Visit www.coastal-group.com for CAD drawings

FINISHES:



FSS
Ferritic Stainless Steel

PART NUMBER	PRODUCT DESCRIPTION	FINISH	UNITS
DSEO12-PC-FSS	12" Side hung, egress only friction hinge	FSS	Pair
DSEO16-PC-FSS	16" Side hung, egress only friction hinge	FSS	Pair

PRODUCT CODE	HINGE	MATERIAL (mm)	HINGE SIZE (mm)	MIN SASH WIDTH (mm)	MAX SASH WIDTH (mm)	MAX SASH WEIGHT (kg)	STACK HEIGHT (mm)	GROOVE SIZE WIDTH (mm)	FULL MAX OPENING ANGLE (+/-2.5°)	RESTRICTED MAX OPENING ANGLE (+/-2.5°)	FIRE ESCAPE? (Egress)	EASY CLEAN?
DSEO12-PC-FSS	Side	Ferritic SS	311	300	600	22	13	16	80	-	Yes	No
DSEO16-PC-FSS	Side	Ferritic SS	413	400	700	24	13	16	90	-	Yes	No



COASTAL

Shaping the future.