

*Full Length Frame Keeps for
Faster Production*

MK26/MK10 FULL LENGTH SURFACE ADJUSTABLE
KEEPS FOR MULTIPOINT DOOR LOCKS



COASTAL

Shaping the future.

An addition to the lock family

- Full length frame adjustable keep for Size 1 & Size 2 locks
- Fast frame preparation - can be run on spindle
- No need to prep for individual keeps
- Perfect keep alignment - helping prevent compression issues
- Conceals frame fixings
- Available in 22, 28, 33, 70 and 95mm keep centre line options

For fast set-up, we've done the thinking for you. Benefit from our pre-selected list of components enabling you to quickly and easily integrate into your production/quotation software system such as:

- End to End
- Joiney Soft
- Cowlin

PART NUMBER	PRODUCT DESCRIPTION	HANDING	FACEPLATE	CENTRE	FINISH	UNITS	
MK10-22-LH-SV	Centre keep part for MK26 full length surface adjustable keep	Left	24mm Square End	22mm	SV	Each	
MK10-22-RH-SV		Right	24mm Square End	22mm	SV	Each	
MK10-28-LH-SV		Left	24mm Square End	28mm	SV	Each	
MK10-28-RH-SV		Right	24mm Square End	28mm	SV	Each	
MK10-33-LH-SV		Left	24mm Square End	33mm	SV	Each	
MK10-33-RH-SV		Right	24mm Square End	33mm	SV	Each	
MK10-70-LH-SV *		Left	24mm Square End	70mm	SV	Each	
MK10-70-RH-SV *		Right	24mm Square End	70mm	SV	Each	
MK10-95-LH-SV *		Left	24mm Square End	95mm	SV	Each	
MK10-95-RH-SV *		Right	24mm Square End	95mm	SV	Each	
MK26-1-SV		Full length surface adjustable keep for top & bottom bolts for size 1 locks	Universal	24mm Square End	—	SV	Each
MK26-2-SV		Full length surface adjustable keep for top & bottom bolts for size 2 locks	Universal	24mm Square End	—	SV	Each

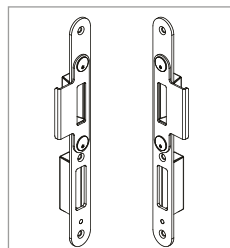
* Typically used for Bi-Fold Doors

FINISH:



SV
 Silver Passivated

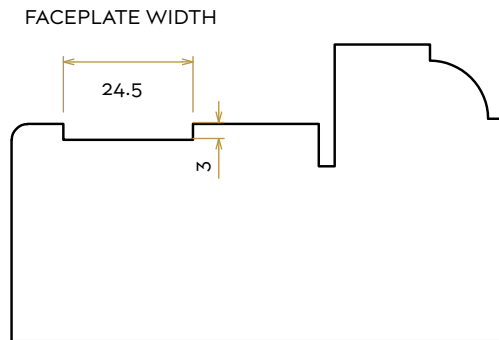
HANDING INFORMATION



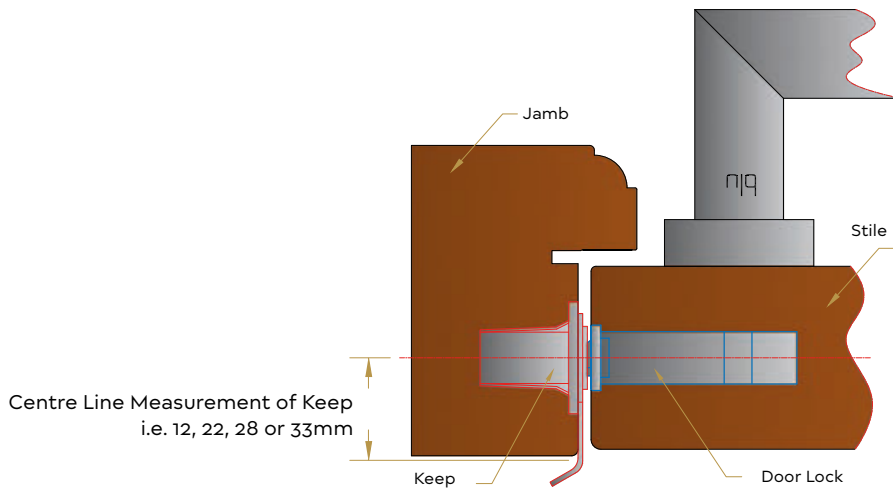
LEFT HAND RIGHT HAND



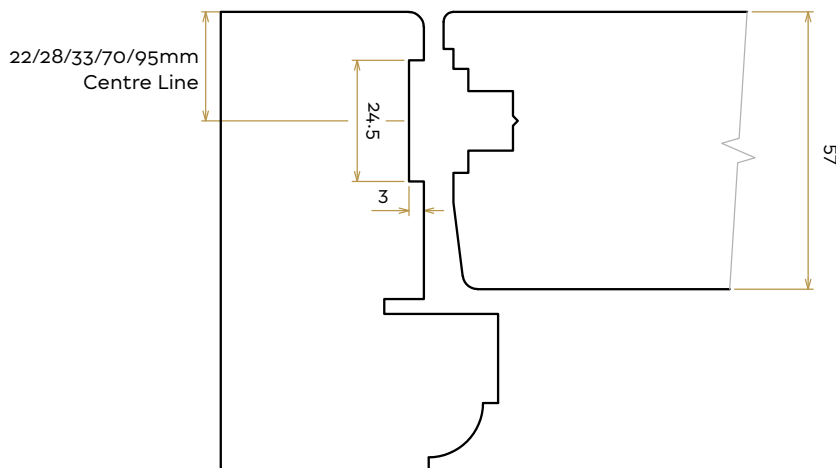
GROOVE PREPARATION



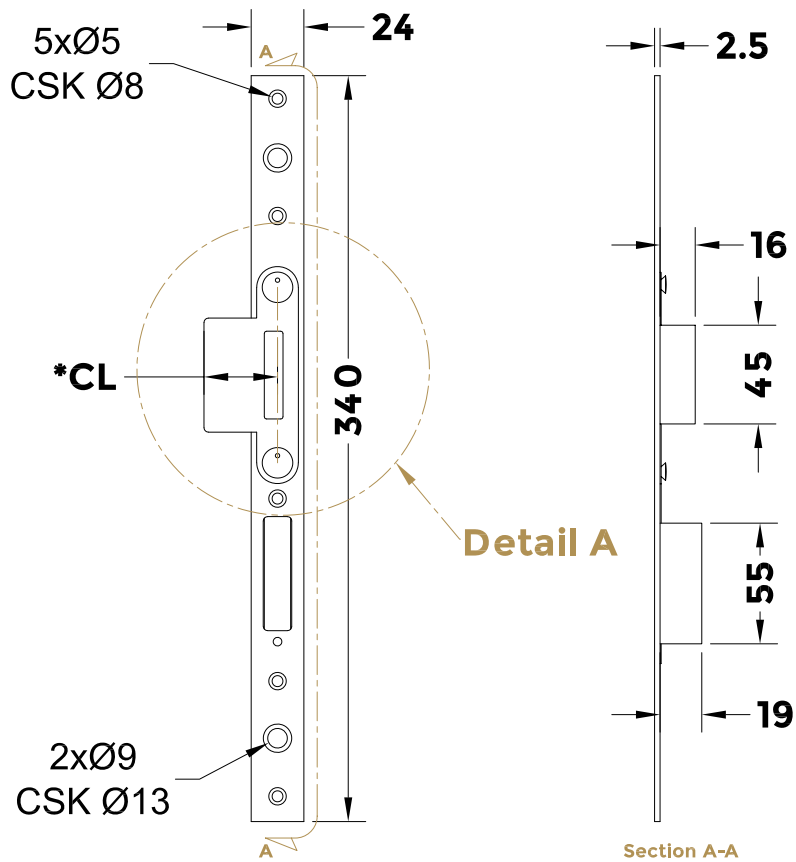
KEEP CENTRE LINE OPTIONS



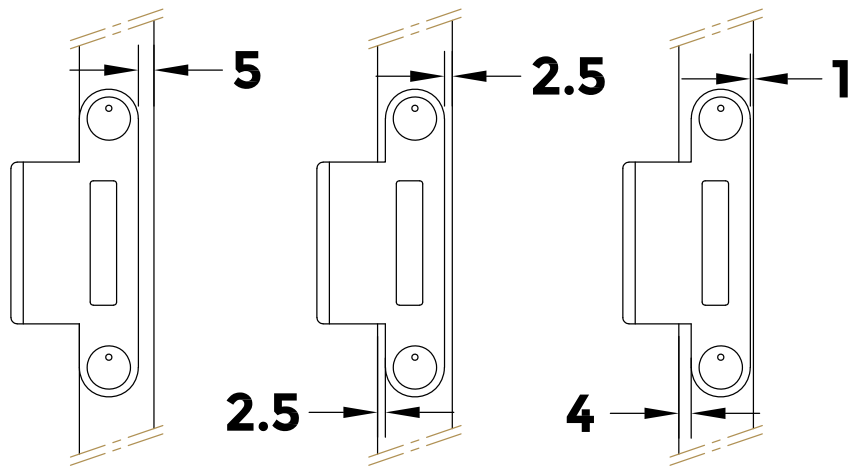
SUGGESTED DOOR AND FRAME SECTION



Reduce your
machining time - ask
about our
Tooling Offer



Detail A



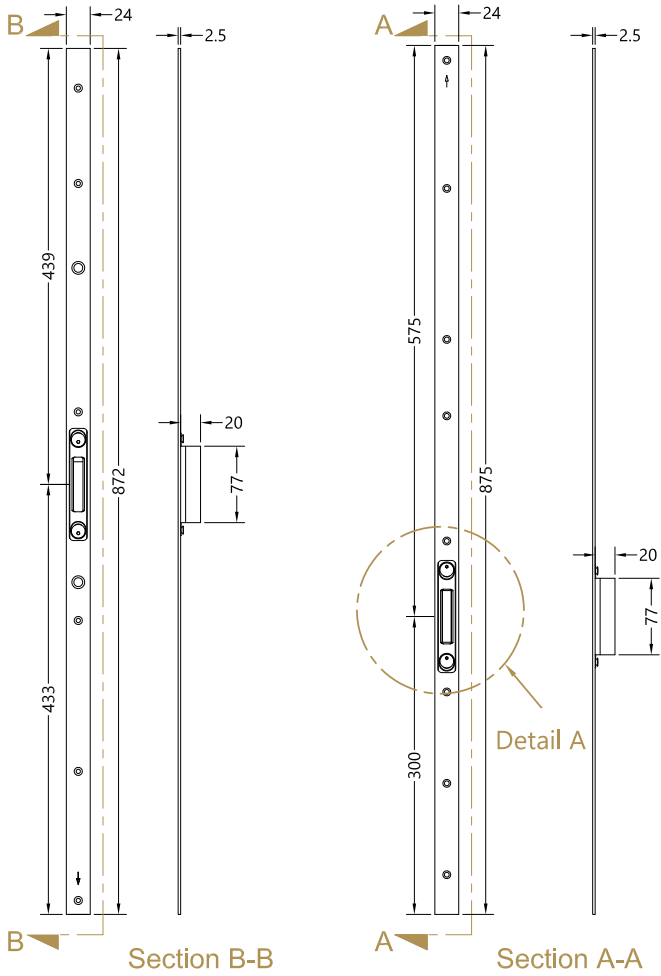
KEEP ADJUSTMENT +/- 2MM

LEFT HAND SHOWN, RIGHT HAND OPPOSITE

MK26 TOP & BOTTOM KEEP MEASUREMENT DETAIL

(MK26-1-SV)

(MK26-2-SV)

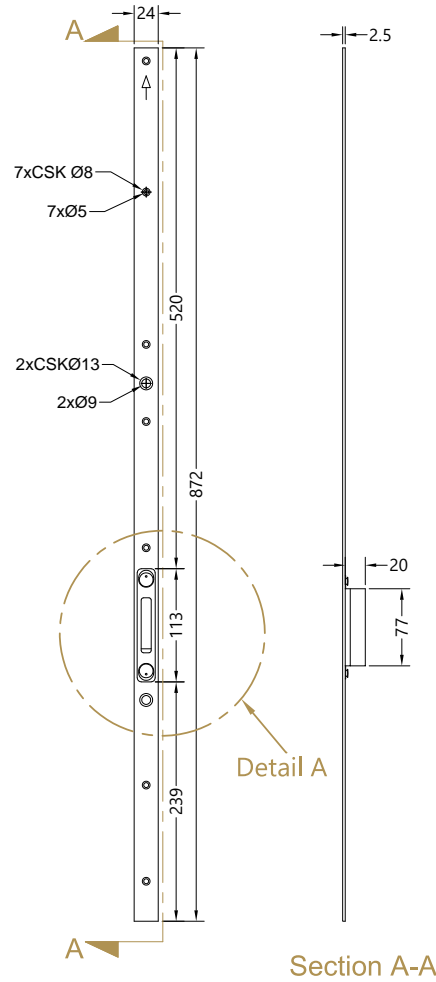


Top part of Size 1 Keep

Bottom part of Size 1 Keep

Arrows on top and bottom keeps should point to the centre keep

FOR USE WITH SIZE 1 LOCK

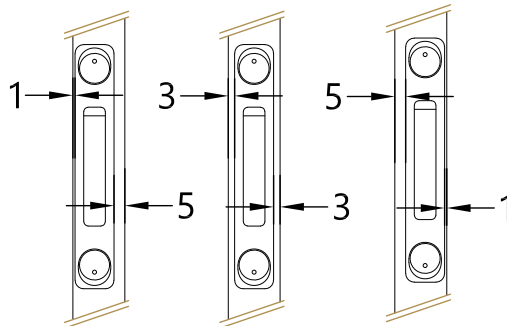


Bottom part of keep shown, also supplied with top part which is mirror image of bottom part

Arrows on top and bottom keeps should point to the centre keep

FOR USE WITH SIZE 2 LOCK

Detail A



KEEP ADJUSTMENT +/- 2MM