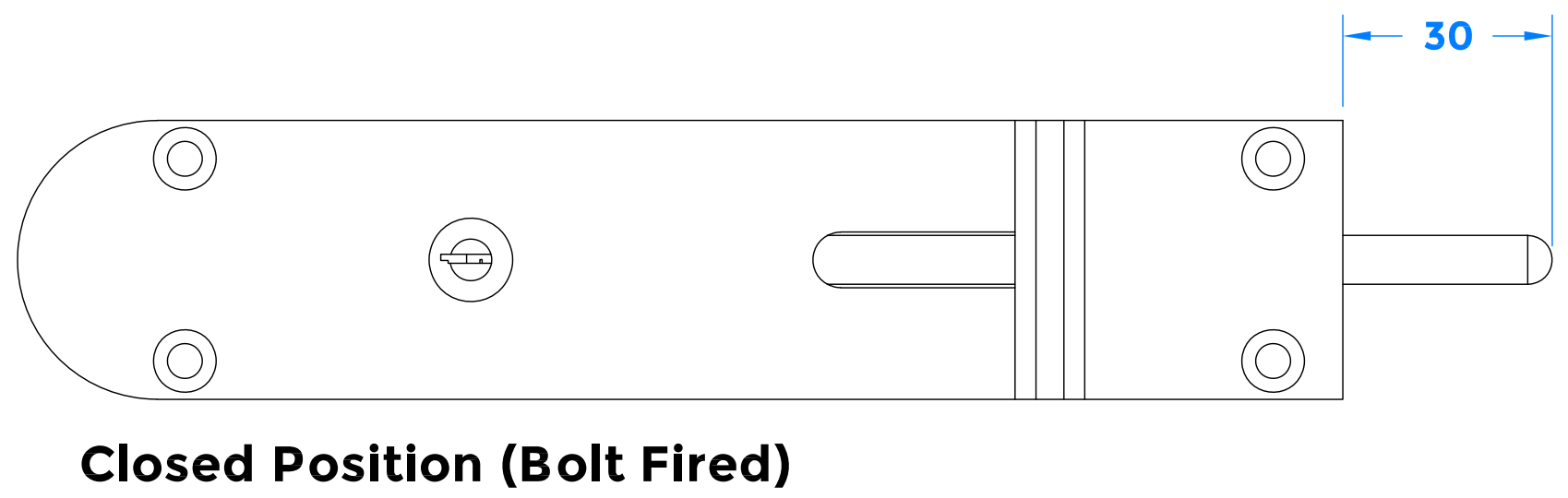
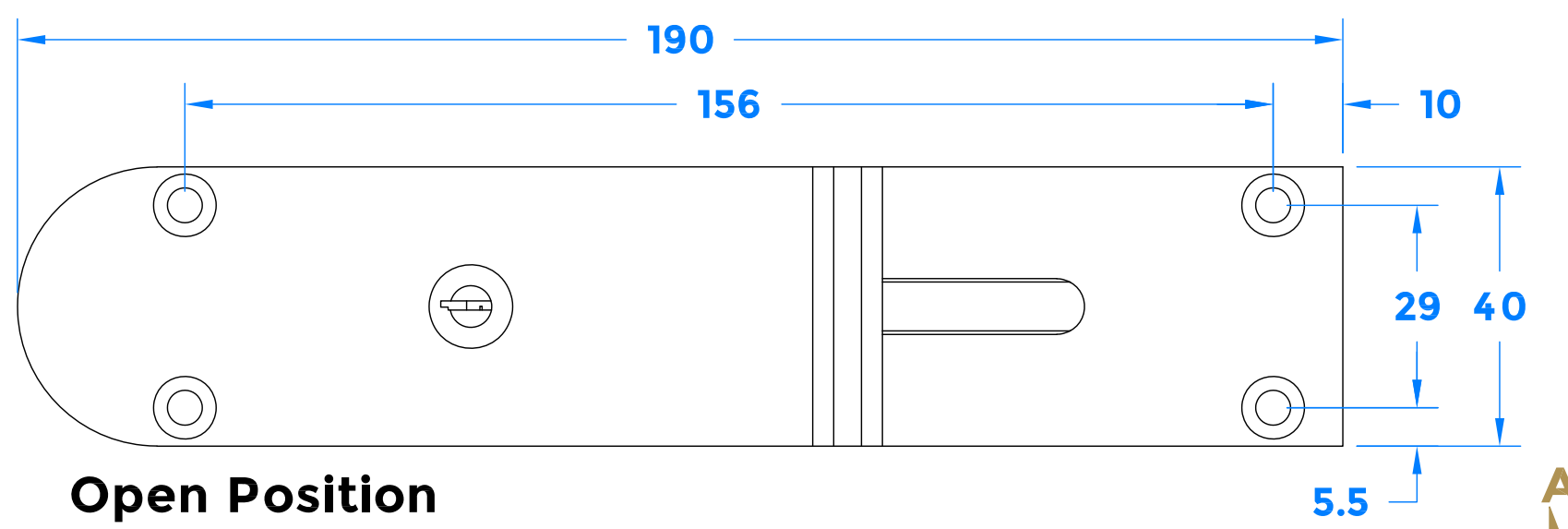
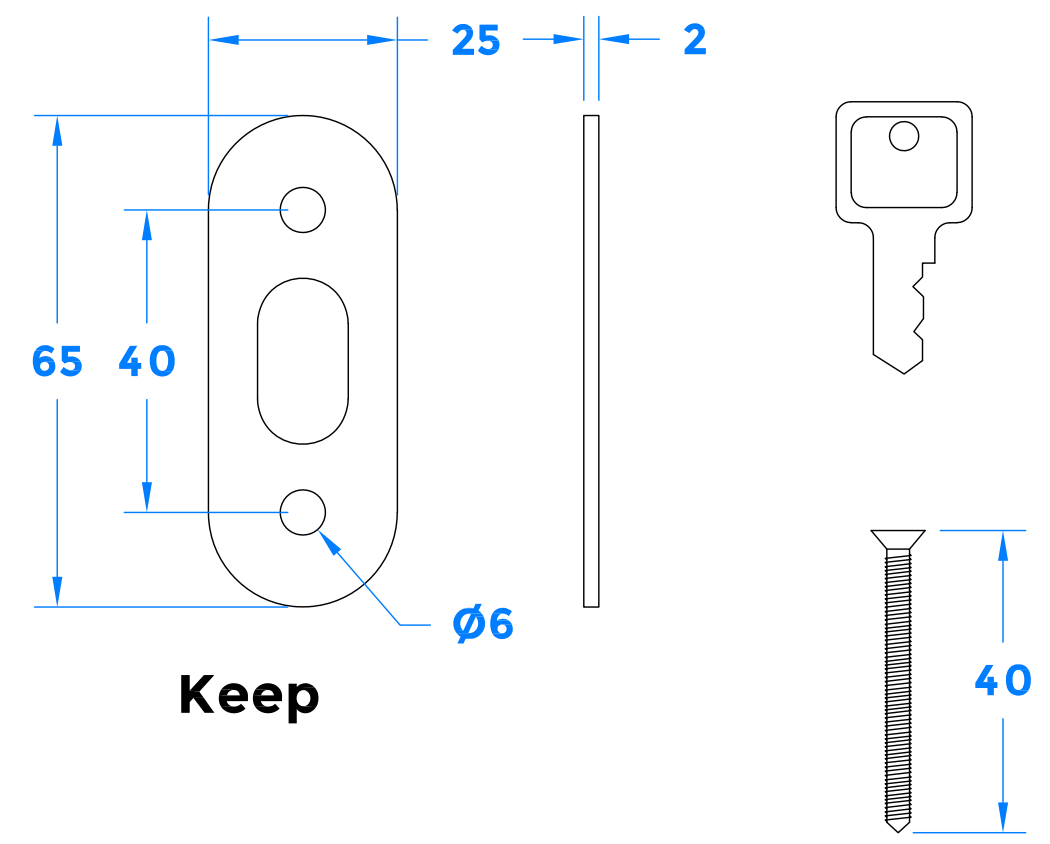
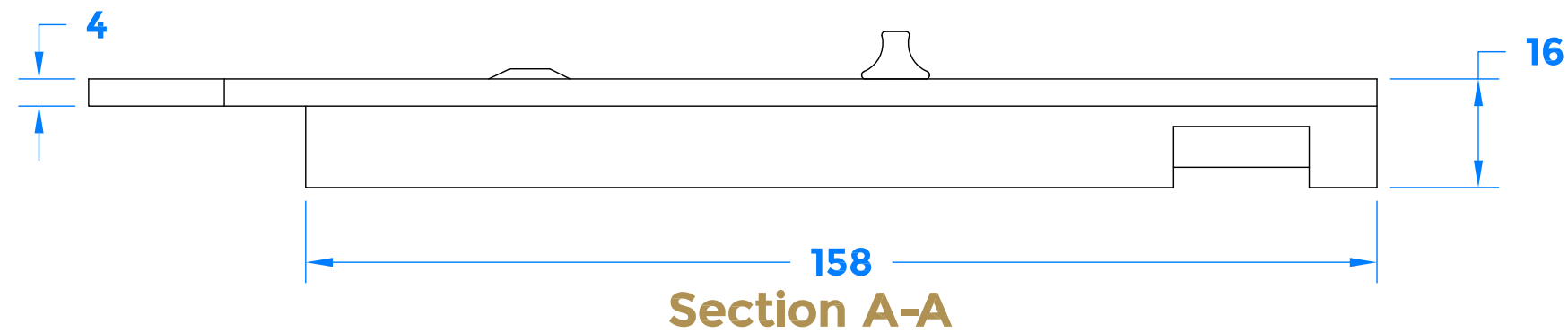


Drawing Revision History		
Revision	Description/Change	Date
A	Release	22/2/2022



COASTAL coastal-group.com
Shaping the future.

Part Number / Drawing Title:
**SF190 - Open Out
 190mm Locking Flushbolts**

Product Range:
Door Hardware

Material: N/A

Additional Info: For Opening Out Bifold Doors

Date Drawn: 20/04/2023

Drawn By: Phillip Walklett

Part Number: SF190

File Name: SF190L.dwg

Revision: A

Drawing Scale: 1:1@ A3

Sheet Number: 1 of 1

THIRD ANGLE PROJECTION

This drawing and specification are the property of Coastal Specialist Ironmongery Ltd, they are issued in strict confidence and shall not be reproduced, copied or used without written permission.
 EGOE - All dimensions are specified in mm.