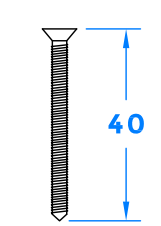
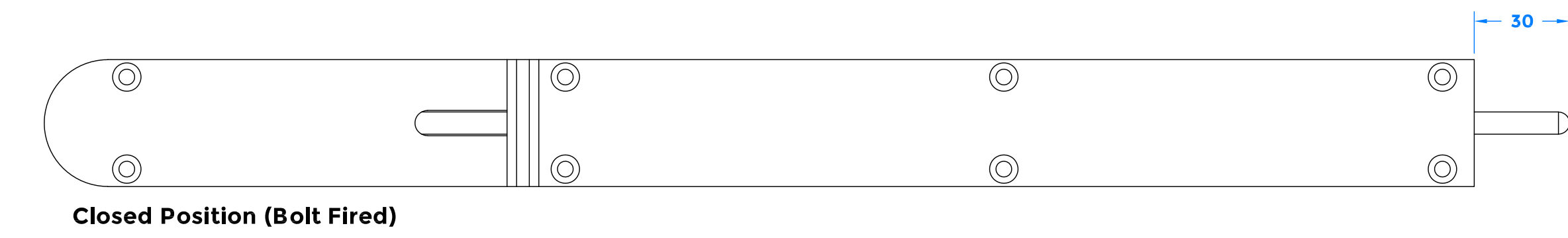
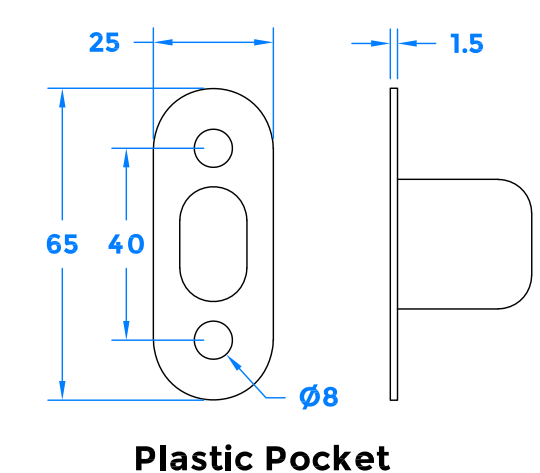
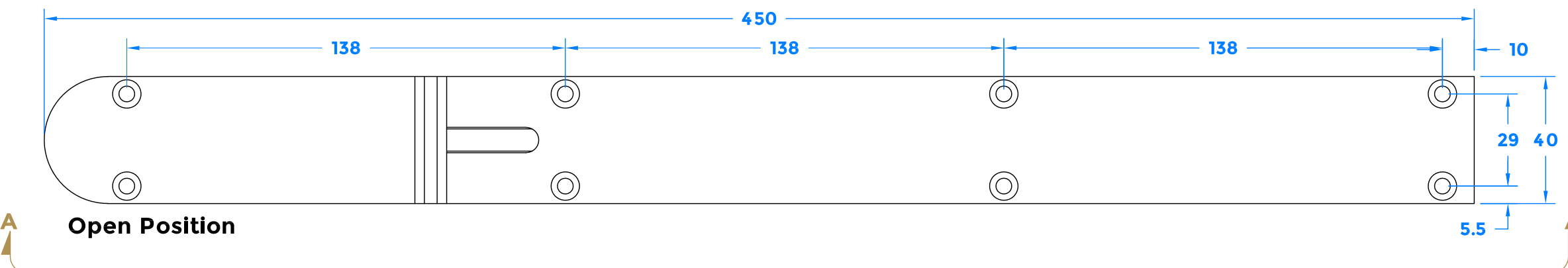
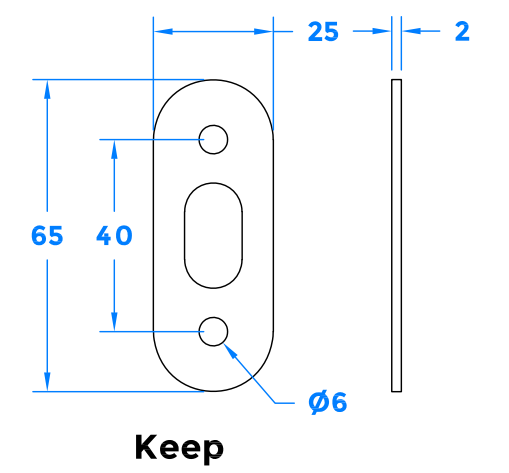
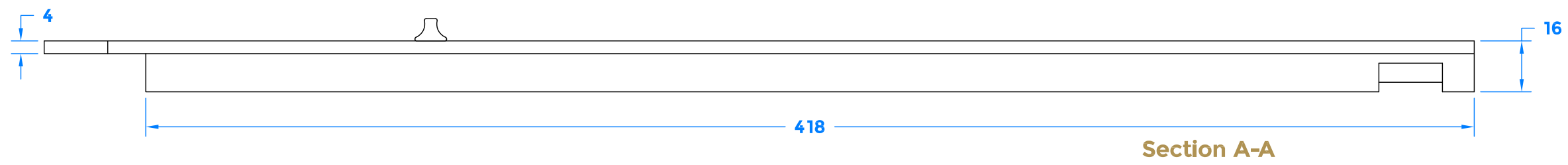


Drawing Revision History		
Revision	Description/Change	Date
A	Release	20/4/2023



coastal-group.com
Shaping the future.

COASTAL

Part Number / Drawing Title:
**SF450 - Open Out
450mm Non Locking Flushbolts**

Product Range:
Door Hardware

Material: N/A

Additional Info: For Opening Out Bifold Doors

Date Drawn: 20/04/2023

Drawn By: Phillip Walklett

Part Number: SF450

File Name: SF450.dwg

Revision: A

Drawing Scale: Not to Scale

Sheet Number: 1 of 1

THIRD ANGLE PROJECTION

This drawing and specification are the property of Coastal Specialist Ironmongery Ltd, they are issued in strict confidence and shall not be reproduced, copied or used without written permission.
EAOE - All dimensions are specified in mm.