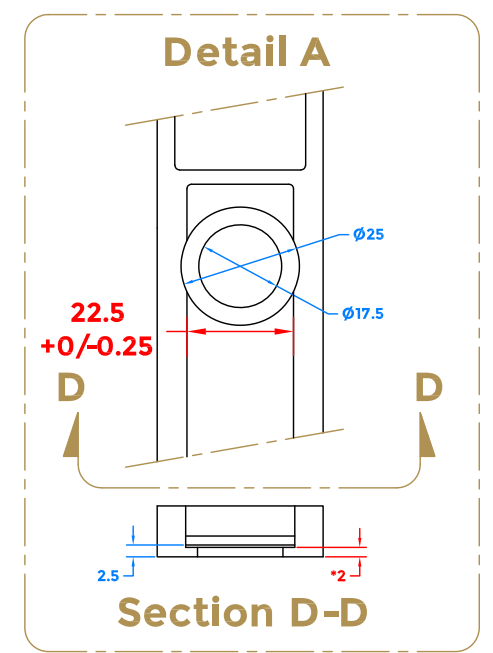
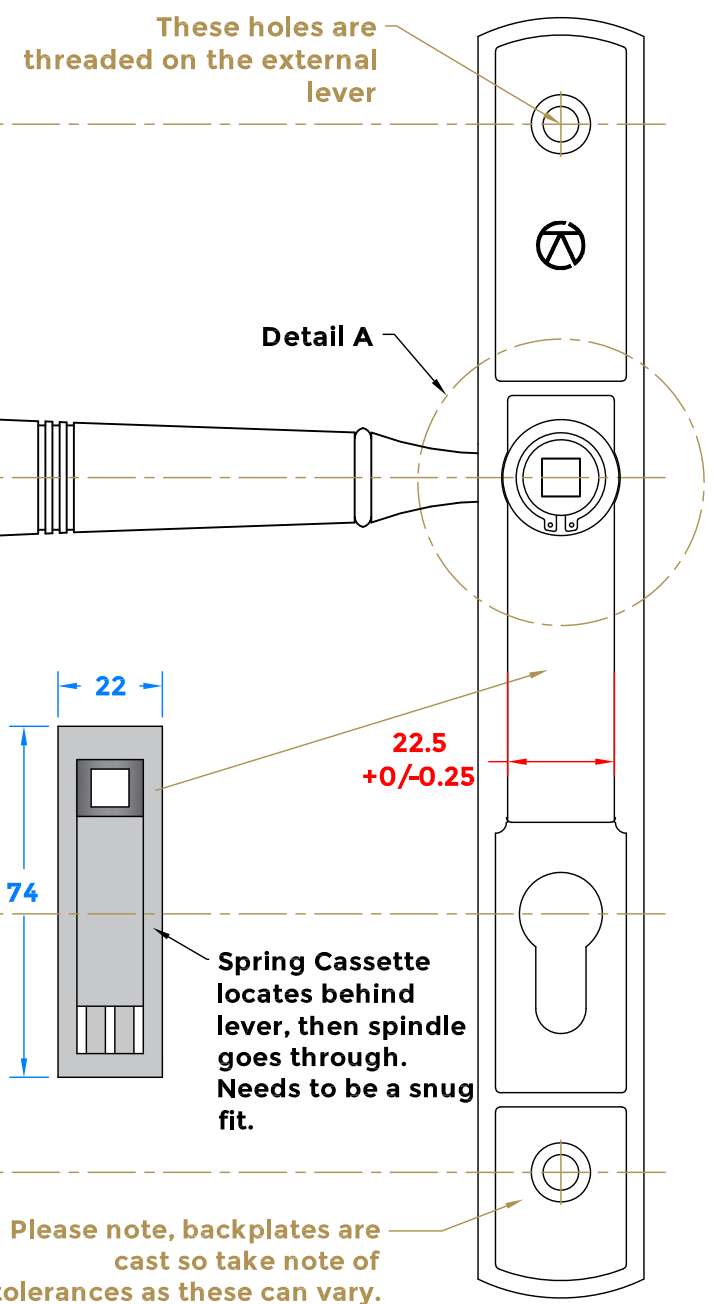
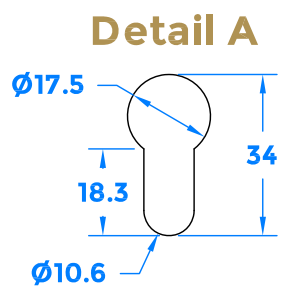
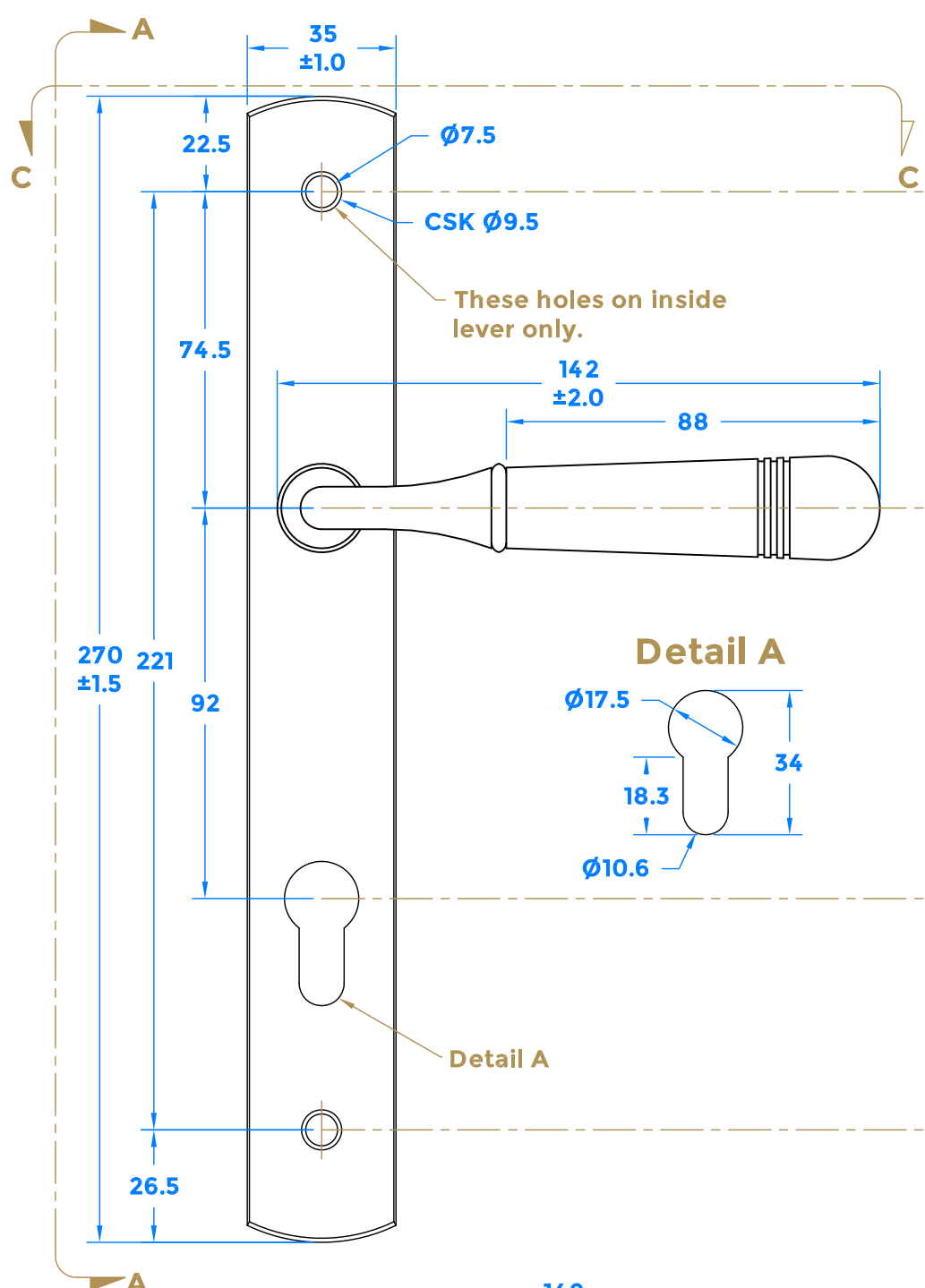
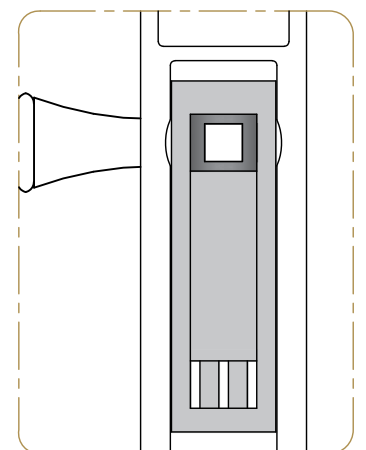


Inside lever shown

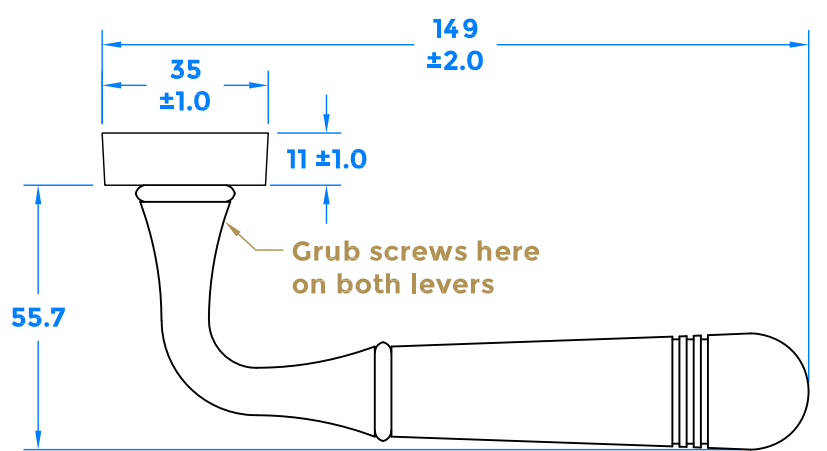
Drawing Revision History		
Revision	Description/Change	Date
A	Released	21/11/2022
B	Added dimensions to spring cassette cut out	30/11/2022
C	Added tolerance information due to cast backplate	30/5/2022



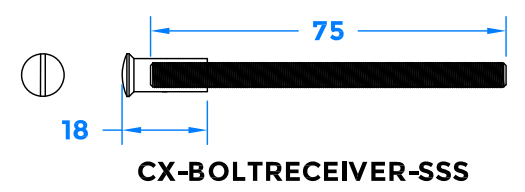
* = Critical Dimension



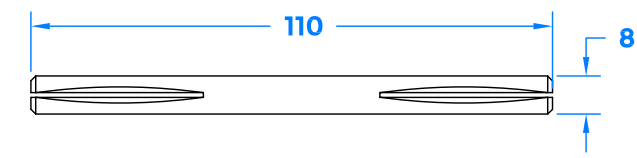
Spring Cassette Fitted




Section A-A



Section B-B





coastal-group.com
Shaping the future.

COASTAL

Part Number / Drawing Title:
TBH095
Opera Lever on Backplate

Product Range:
Door Handles

Material: 316 Stainless Steel

Additional Info: Back to Back Fixing

Date Drawn: 30/05/2023

Drawn By: Phillip Walklett

Part Number: TBH095

File Name: TBH095.dwg

Revision: C

Drawing Scale: Not to Scale

Sheet Number: 1 of 1

THIRD ANGLE PROJECTION

This drawing and specification are the property of Coastal Specialist Ironmongery Ltd, they are issued in strict confidence and shall not be reproduced, copied or used without written permission. ESOE - All dimensions are specified in mm.