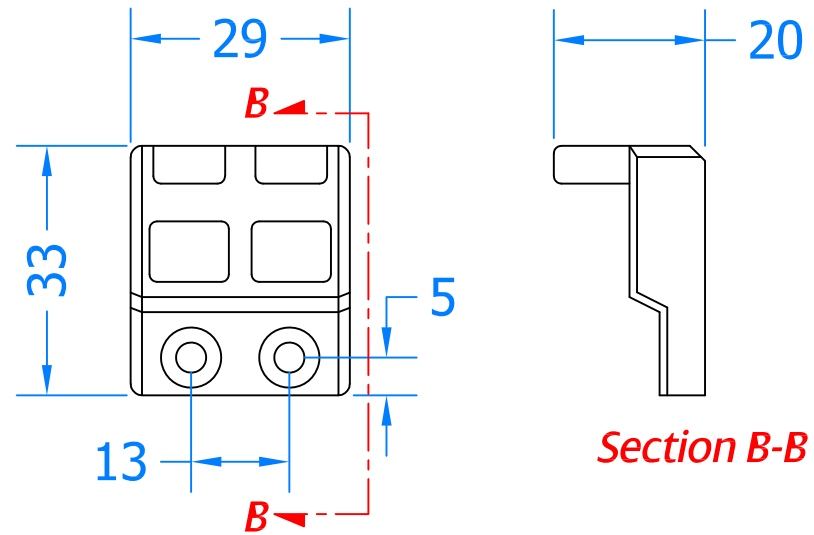
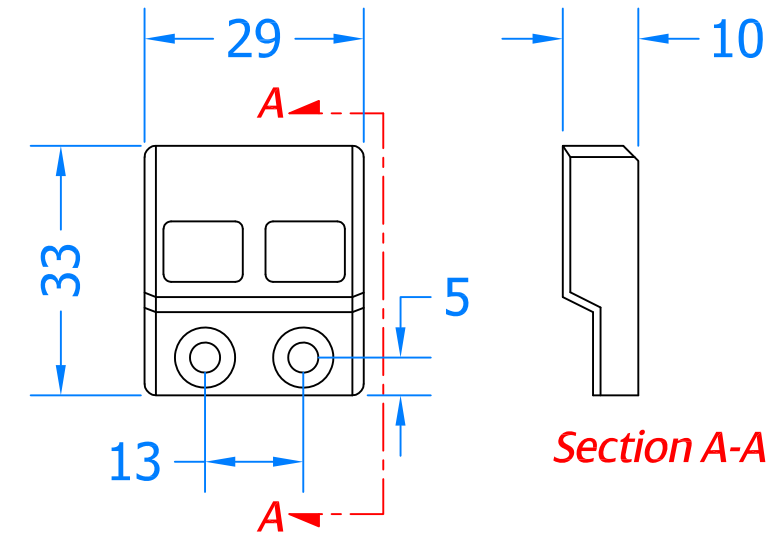
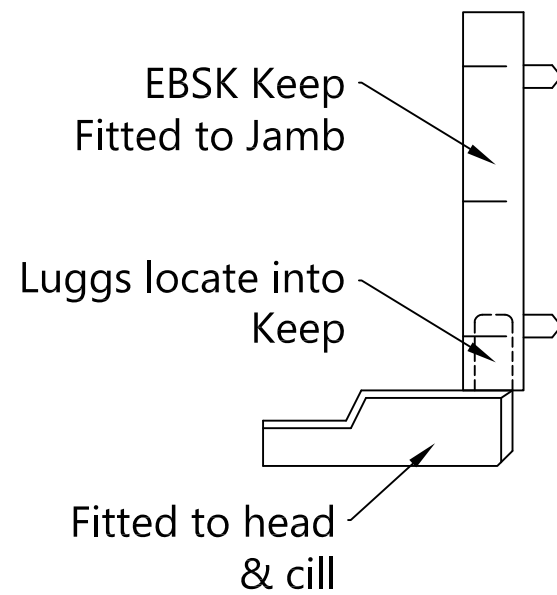


Revision	Description	Drawn	Date
A	Release	PW	20/04/18



EBMK10

Used on master sash, single window and connects to EBSK Keep as shown below.



EBMK20

Used on slave sash, double window.

Global House, Bojea Industrial Estate, Trethowel, St Austell, PL25 5RJ
 Telephone | 01726 871725 - Fax | 01726 871731
 Email | sales@coastal-group.com - Web | www.coastal-group.com

Coastal Group
 Drawing Title:
EBMK10 & EBMK20
Double Shootbolt Keeps

Product Range:
Espagnolette Locks & Keeps

Additional Info: With and without location lugs
 Single & Double Windows

Date Drawn: 20/04/2018
 Drawn By: Phil Walklett
 Part Number: EBMK
 File Name: CG-EBMK.dwg
 Revision: A
 Drawing Scale: 1:1@A3
 Sheet Number: 1 of 1

THIRD ANGLE PROJECTION

This drawing and specification are the property of Coastal Group, they are issued in strict confidence and shall not be reproduced, copied or used without written permission.