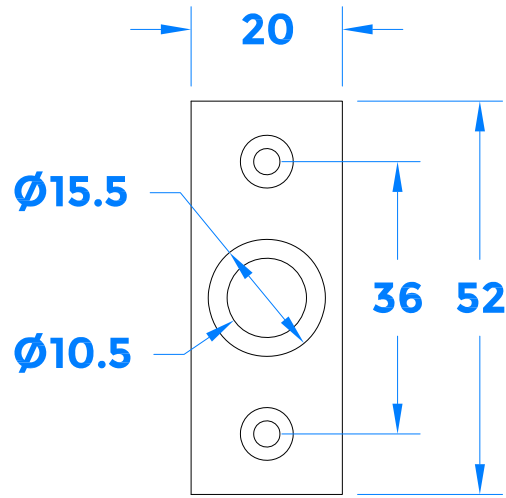
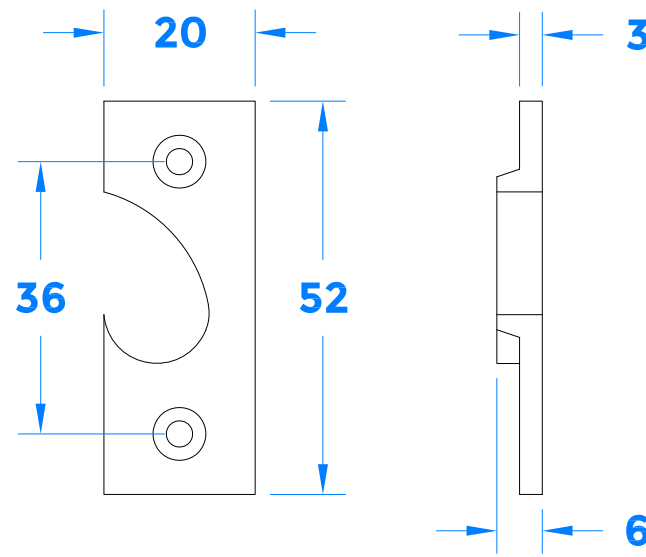


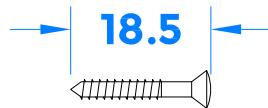
| Drawing Revision History |                      |           |
|--------------------------|----------------------|-----------|
| Revision                 | Description / Change | Date      |
| A                        | Release              | 14/6/2023 |




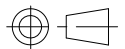
**Sash Plate x 2**



**Frame Plate x 2**



**Fixing Screws x 8**

|  |  |  |
|--|--|--|
| <br><b>COASTAL</b>                 |  | coastal-group.com<br><i>Shaping the future.</i>  |
| <b>Part Number / Drawing Title:</b><br><b>SP68</b><br><b>Concealed Window Pivot Set</b>                                |  |  |
| <b>Product Range:</b><br><b>Window Hardware</b>  |  |  |
| <b>Material:</b> N/A   |  |  |
| <b>Additional Info:</b>  |  |  |
| <b>Date Drawn:</b> 04/06/2023  |  |  |
| <b>Drawn By:</b> Phillip Walklett  |  |  |
| <b>Part Number:</b> SP68   |  |  |
| <b>File Name:</b> SP68.dwg   |  |  |
| <b>Revision:</b> A   |  |  |
| <b>Drawing Scale:</b> 1:1@A4   |  |  |
| <b>Sheet Number:</b> 1 of 1  |  |  |
| <b>THIRD ANGLE PROJECTION</b><br> |  | <small>This drawing and specification are the property of Coastal Specialist Ironmongery Ltd, they are issued in strict confidence and shall not be reproduced, copied or used without written permission.<br/>         E&amp;OE - All dimensions are specified in mm.</small> |