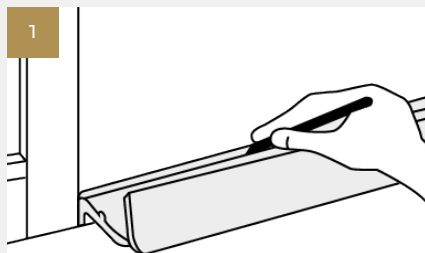


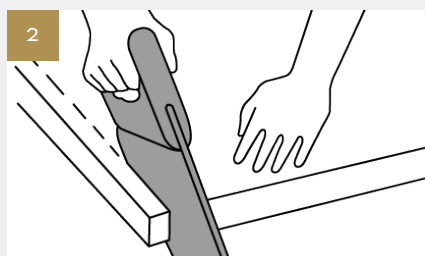
FITTING GUIDE

OUTWARD OPENING SLIMLINE WIDE



If necessary cut the door sill to the correct length i.e. the exact width of the door frame opening. This will normally be a fraction wider than the door itself.

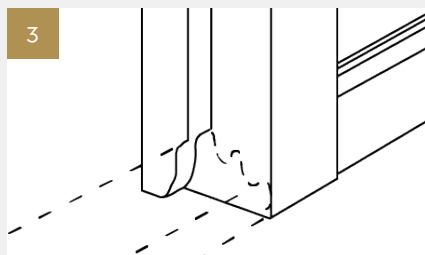
Place the back edge of the door sill against the inside face of the door when in its closed position, and mark along its length with as sharp pencil or marking tool.



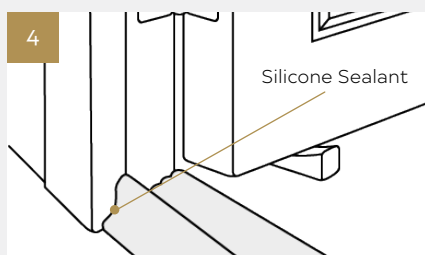
Remove the door from its hinges and saw along a line parallel to the mark and 3mm above it to allow 3mm clearance between the door bottom and the rear upstand of the door sill. Smooth down the sawn surface with sandpaper.

For ideal operation gloss paint or varnish the surface to ensure surface is smooth.

PLEASE NOTE: Any paint/ varnish must dry completely before closing the door on the sill.

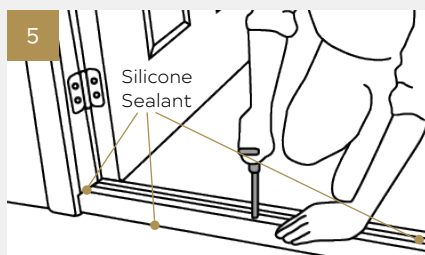


Chisel out sufficient from the bottom of the frame on both sides to receive the front of the door sill, shaping the cut to the profile of the front of the door sill



Rehang the door and place door sill in position. Ensure that the door opens and closes freely, the front face of the door butts up to the front seal of the door sill all along its length and the door bottom makes contact with the door sill centre seal. Mark through fixing holes for pre-drilling the threshold. If the threshold is not of wood these holes will have to be plugged to accept the screw.

The door sill is now ready for permanently fixing into place. Take a tube of sealant and fill the channel located along the underside of the door sill. Ensure that the threshold surface is perfectly dry and apply the sealant. The sealant must be applied to both surfaces, i.e. to the door sill mastic channel and to the floor surface all along their lengths.



Bed the door sill firmly into place and close the door to re-check for exact positioning. Screw down all fixing screws.

IMPORTANT: The screws must be bedded in sealant to ensure fixing holes are waterproof.

Apply extra sealant where the door sill meets the door frame, there must be a watertight seal where the ends of the door sill meet the door frame.

IMPORTANT: Correct fitting may result in the back edge of the Stormguard protruding slightly beyond the inside face of the door.

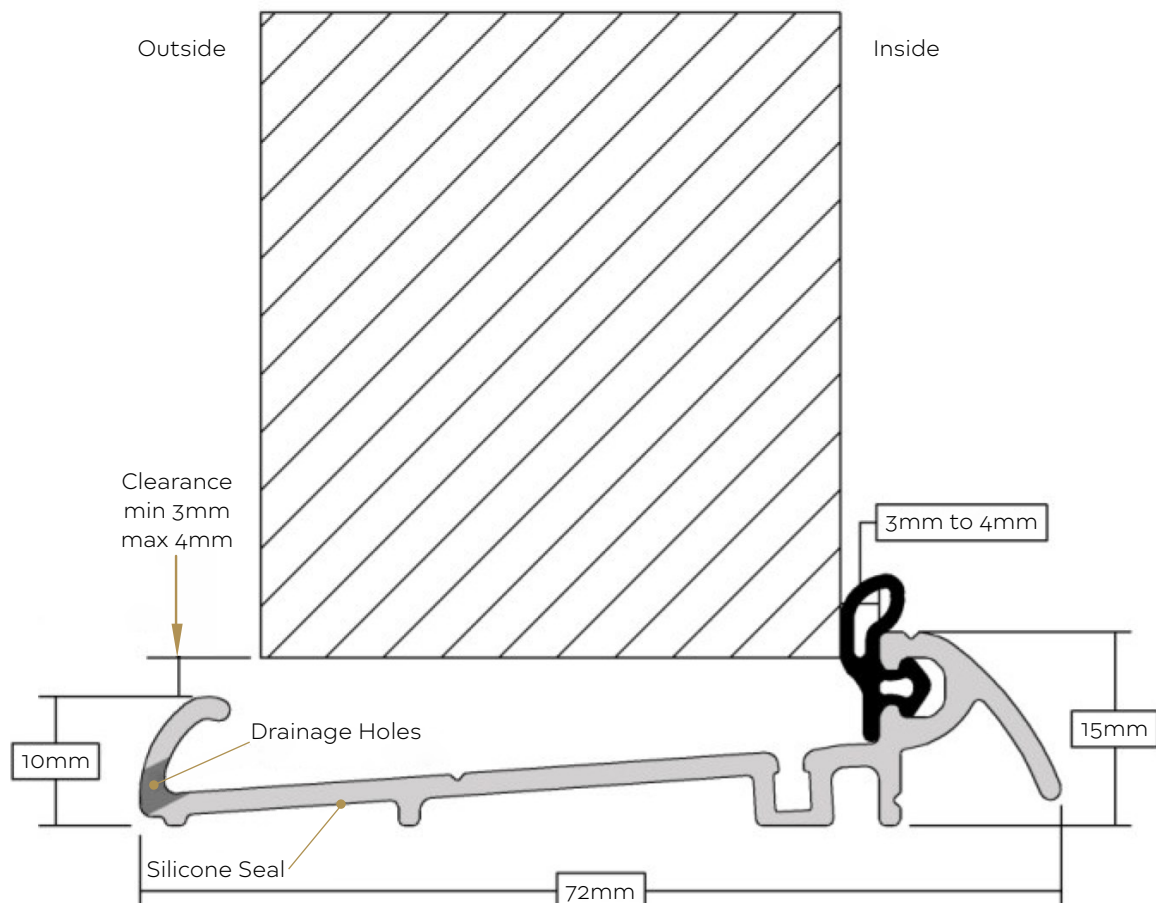


COASTAL

Shaping the future.

FITTING GUIDE

OUTWARD OPENING SLIMLINE WIDE



TOOLS REQUIRED: Pencil, small hacksaw, wood saw, wood chisel, drill, tube of silicone sealant, pliers.

For door sills to work to their maximum performance they must be hermetically sealed and rigidly fastened to the floor to prevent any possibility of water penetration under the door sill.



COASTAL

Shaping the future.