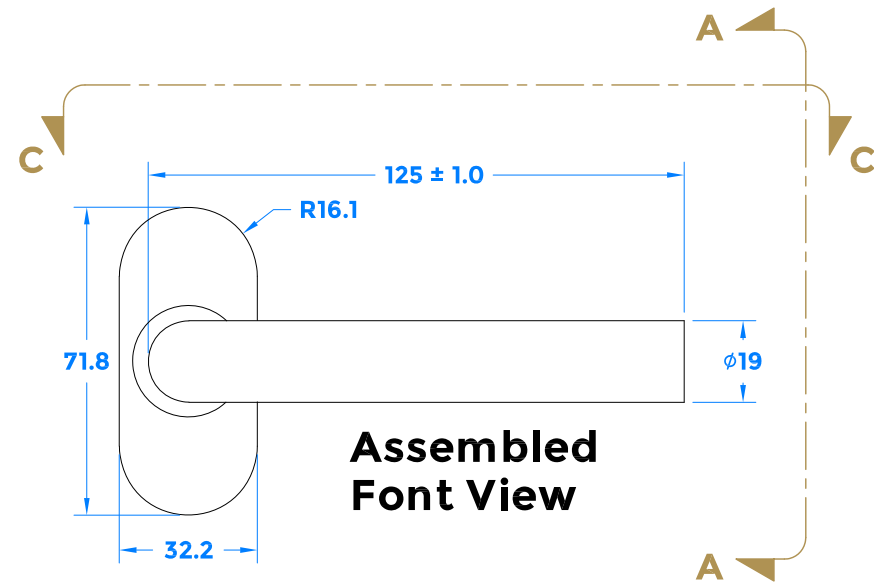
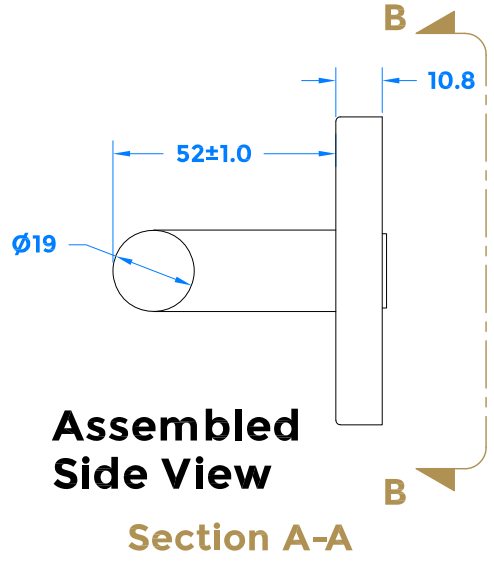


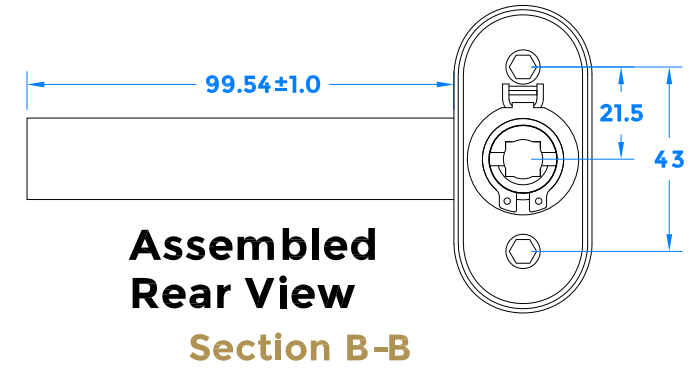
REVISION HISTORY		
Revision	Description	Date
A	Release	6/1/2022



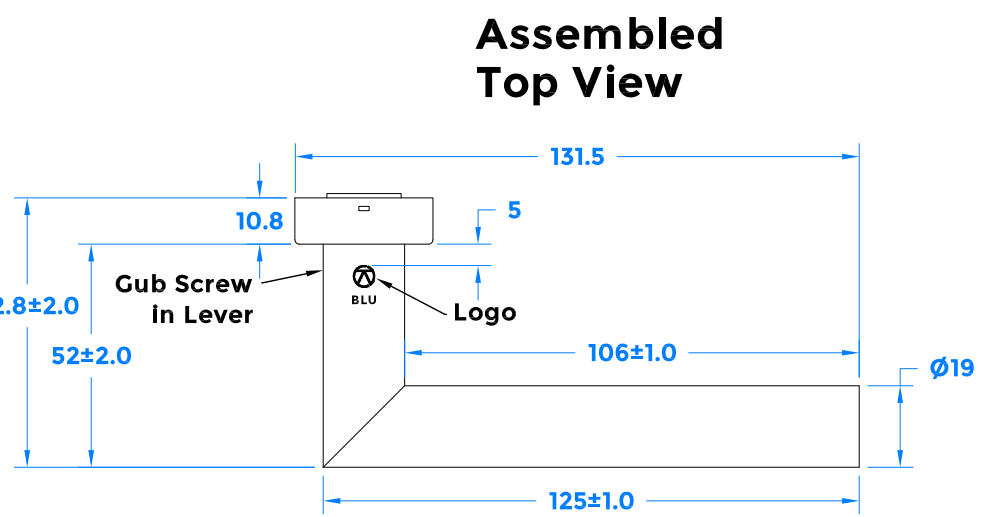
**Assembled
Font View**



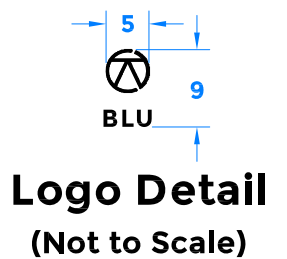
**Assembled
Side View**
Section A-A



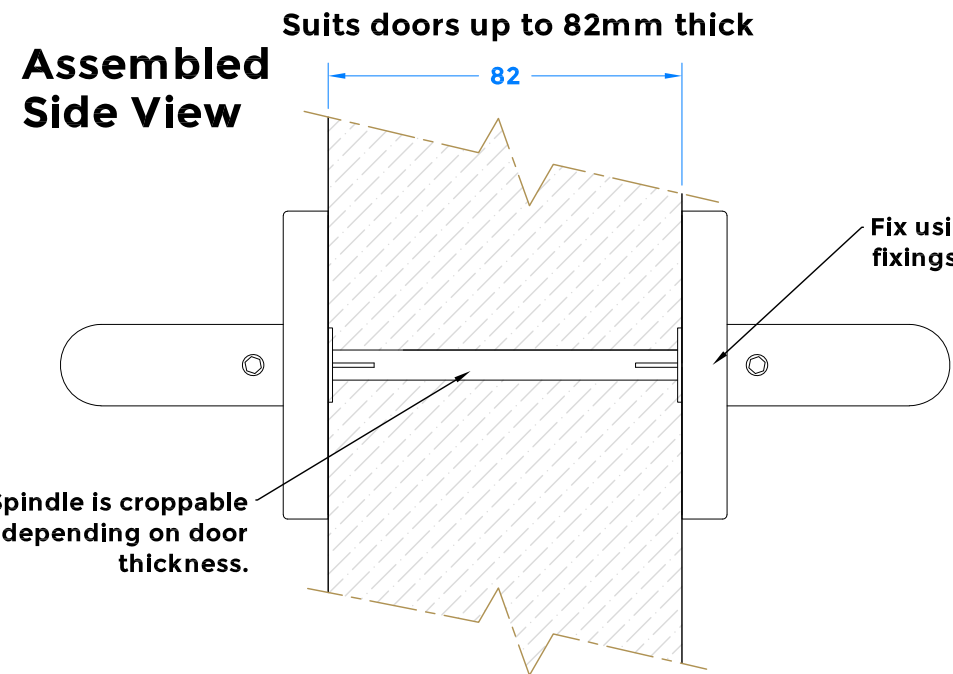
**Assembled
Rear View**
Section B-B



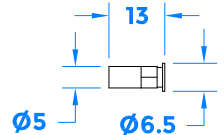
**Assembled
Top View**

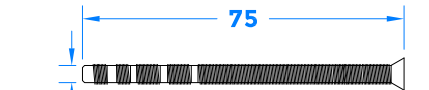


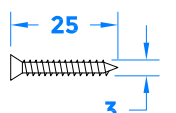
Logo Detail
(Not to Scale)





**Assembled
Side View**


- 

2 x Bolt Receiver Sleeve
- 


2 x Machine Screws
- 

4 x Wood Screws
- 

1 x 3mm Allen Key
- 

1 x 8 x 8 x 115mm Spindle
- 

1 x 8 x 8 x 125mm Spindle



coastal-group.com
Shaping the future

COASTAL

Part Number / Drawing Title:
**KM960C
Mitre Lever on Oval Rose**

Product Range:
Door Handles

Material: 316 Stainless Steel

Additional Info: Back to Back

Date Drawn: 6/1/2022

Drawn By: Philip Walklett

Part Number: KM960C

File Name: KM960C.dwg

Revision: A

Drawing Scale: Not to Scale

Sheet Number: 1 of 1

THIRD ANGLE PROJECTION

This drawing and specification are the property of Coastal Specialist Ironmongery Ltd, they are issued in strict confidence and shall not be reproduced, copied or used without written permission.
EAOE - All dimensions are specified in mm.