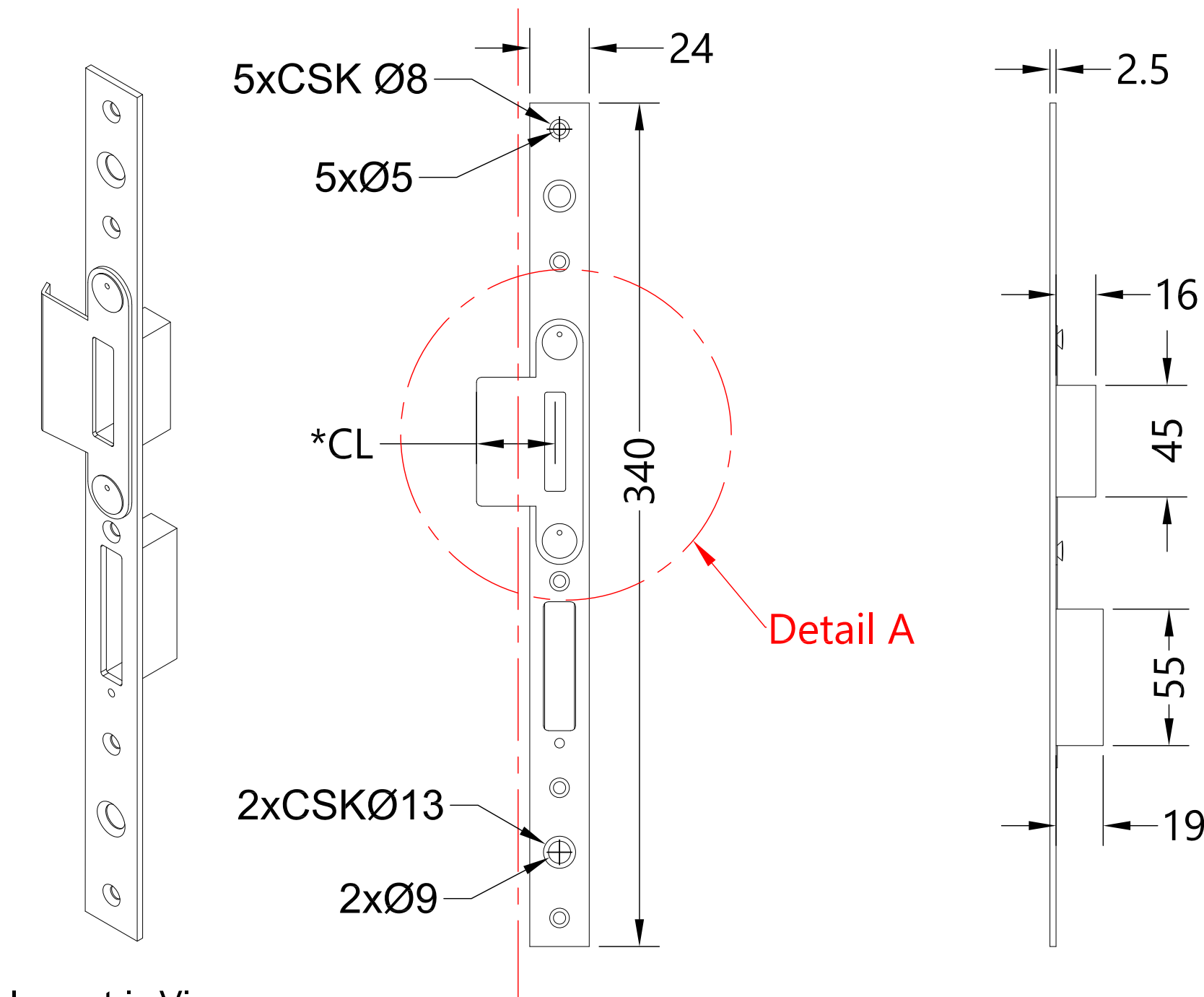
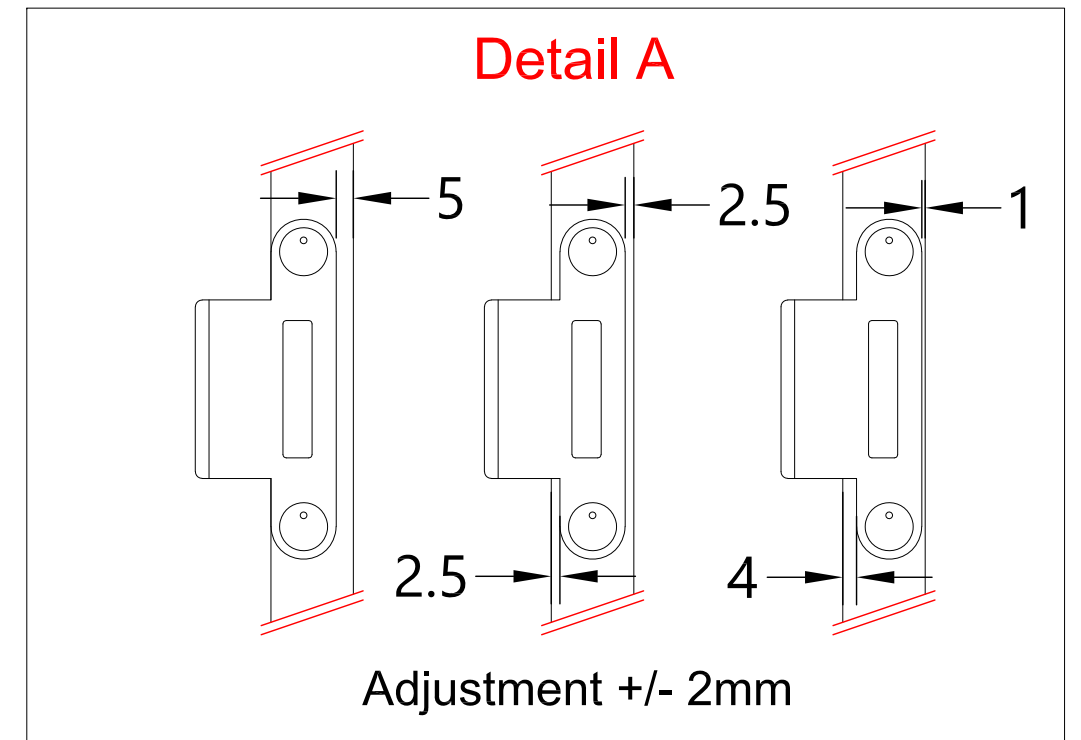


Revision History			
Revision	Description	Drawn By	Date
A	Released	PW	8/8/17



Isometric View

Left Hand Shown, Right Hand Opposite



* Centre Line - 22, 28, 33, 70 & 95mm Available

COASTAL GROUP
Innovating & upgrading the style, performance & longevity of external doors & windows globally.

Global House, Bojea Industrial Estate, Trethowel, St Austell, PL25 5RJ
telephone | 01726 871724 - fax | 01726 871731
email | sales@coastal-group.com - web | www.coastal-group.com

Drawing Reference:
Coastal Group

Drawing Title:
**MK10-SV
340mm Centre Keep**

Product Range:
Full Length Surface Adjustable Keeps

Additional Info:
Left Hand Shown, Right Hand Opposite

Date Drawn: 10/08/2017
Drawn By: Phil Walklett
Part Number: MK10-SV
File Name: CG-MK10-SV.dwg
Revision: A
Drawing Scale: NONE
Sheet Number: 1 of 1

THIRD ANGLE PROJECTION

This drawing and specification are the property of Coastal Group, they are issued in strict confidence and shall not be reproduced, copied or used without written permission.