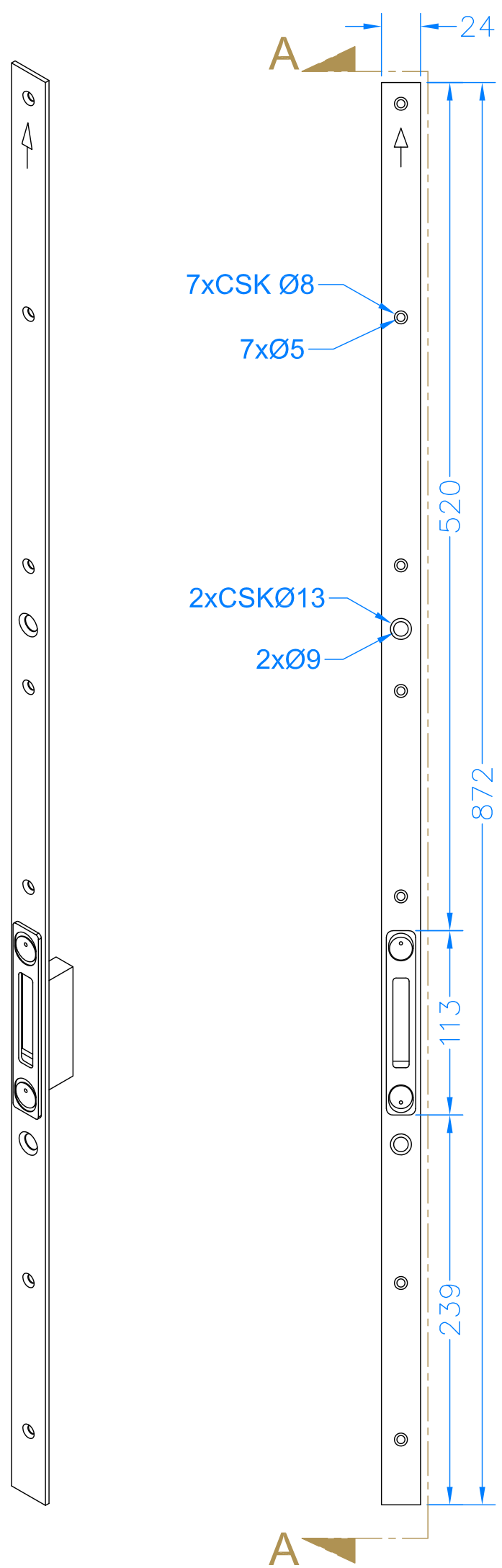
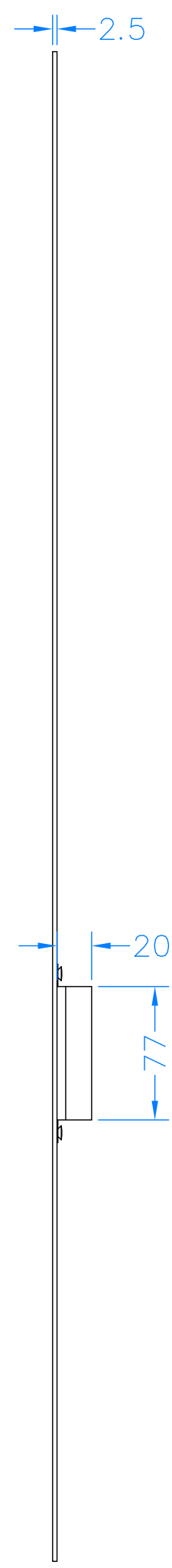


Drawing Revision History		
Revision	Description/ Change	Date
A-RP	Release to Coastal Template	09/07/25

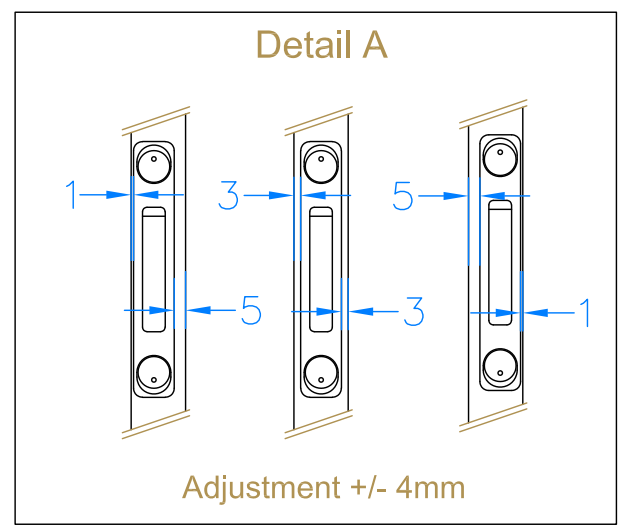


Isometric View



Section A-A

1 Shown, Sold in Pairs



coastal-group.com
the future.

COASTAL

Part Number / Drawing Title:
MK26-2-SV
Full Length Keep Set

Product Range:
Full Length Adj Keep Set

Material:

Additional Info:

Date Drawn: 09/07/25
Drawn By: Roger Phillips
Part Number: MK26-2-SV
File Name: CG-MK26-2-SV.dwg
Revision: A

Drawing Scale: Not To Scale
Sheet Number: 1 of 1

THIRD ANGLE PROJECTION

This drawing and specification are the property of Coastal Specialist Ironmongery Ltd. they are issued in strict confidence and shall not be reproduced, copied or used without written permission. E&OE - All dimensions are specified in mm.