

# BLU RANGE CONTEMPORARY EURO CYLINDER PULL

Product Code: CP76

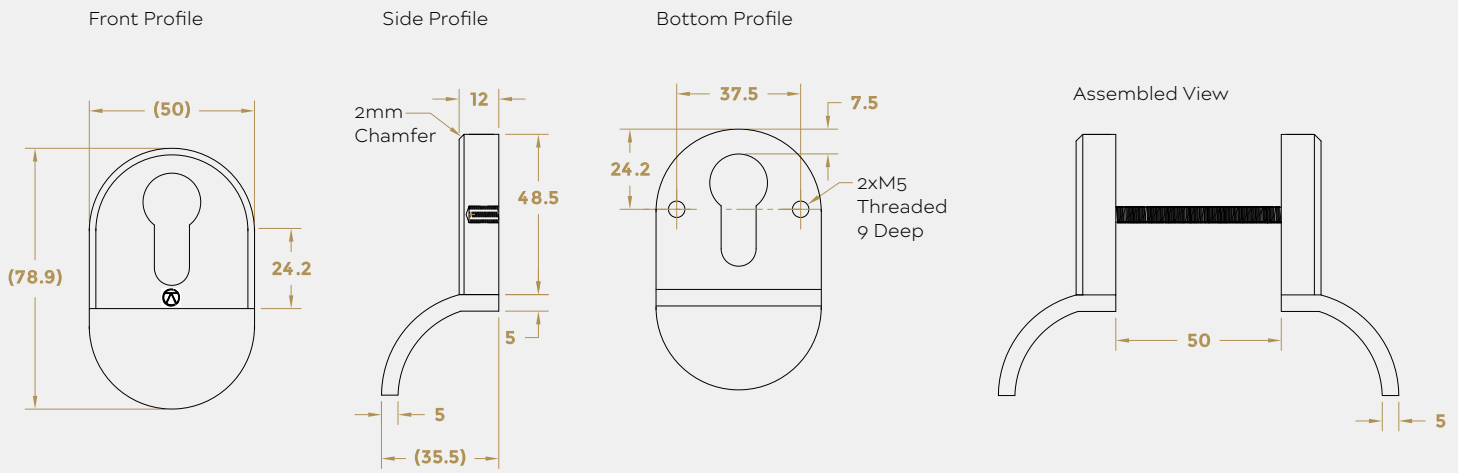
LIT-DC-CP76



## *316 Marine Grade Stainless Steel Hardware Range*

- High quality back-to-back euro cylinder pull set
- 12mm thick backplate to accommodate standard cylinder sizes
- Robust contemporary design
- Bolt through fixings from the inside help prevent removal of the external cylinder pull
- Ideal for use where corrosion levels are high such as coastal environments and with acidic timber
- Part of a suited range of door and window hardware
- To suit doors up to 50mm thick

CONTEMPORARY EURO CYLINDER PULL



Visit [www.coastal-group.com](http://www.coastal-group.com) for CAD drawings

FINISHES:



**SSS**  
Satin Stainless Steel



**PSS**  
Polished Stainless Steel



**PPB**  
PVD Polished Brass



**PBK**  
PVD Satin Black

PART NUMBER	PRODUCT DESCRIPTION	FINISH	UNITS
CP76-SSS	Contemporary Euro Cylinder Pull	<b>SSS</b>	Each
CP76-PSS	Contemporary Euro Cylinder Pull	<b>PSS</b>	Each
CP76-PPB	Contemporary Euro Cylinder Pull	<b>PPB</b>	Each
CP76-PBK	Contemporary Euro Cylinder Pull	<b>PBK</b>	Each



**COASTAL**

*Shaping the future.*