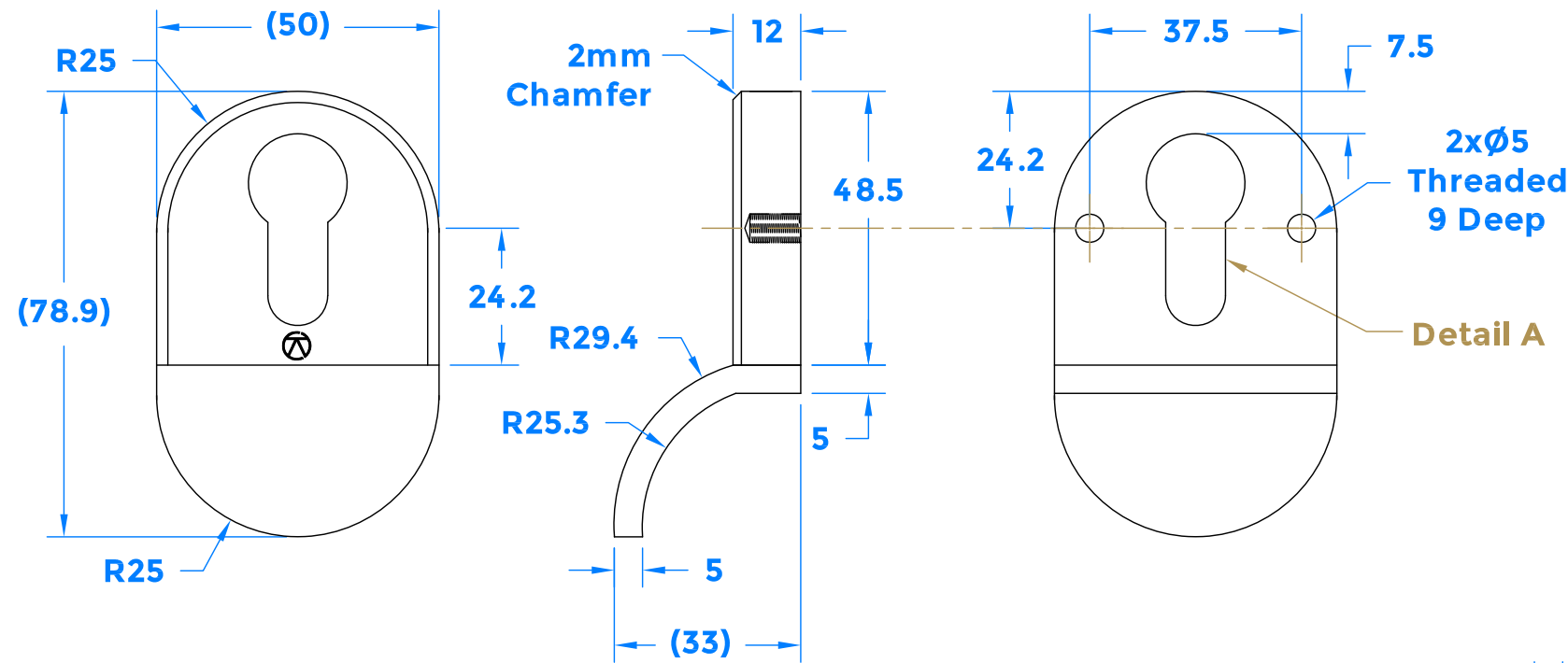
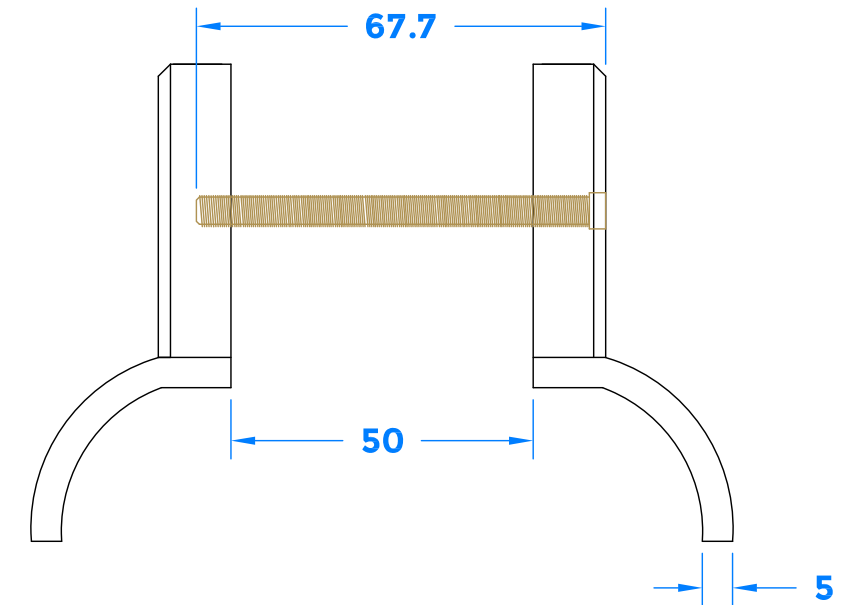


Drawing Revision History		
Revision	Description/Change	Date
A	Release	5/2/2023

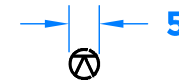
External Cylinder Pull



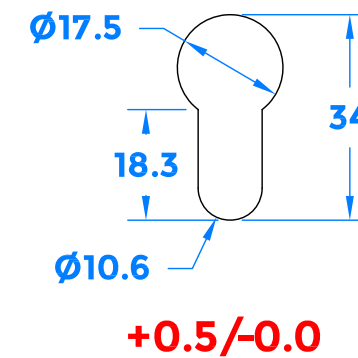
Assembled View



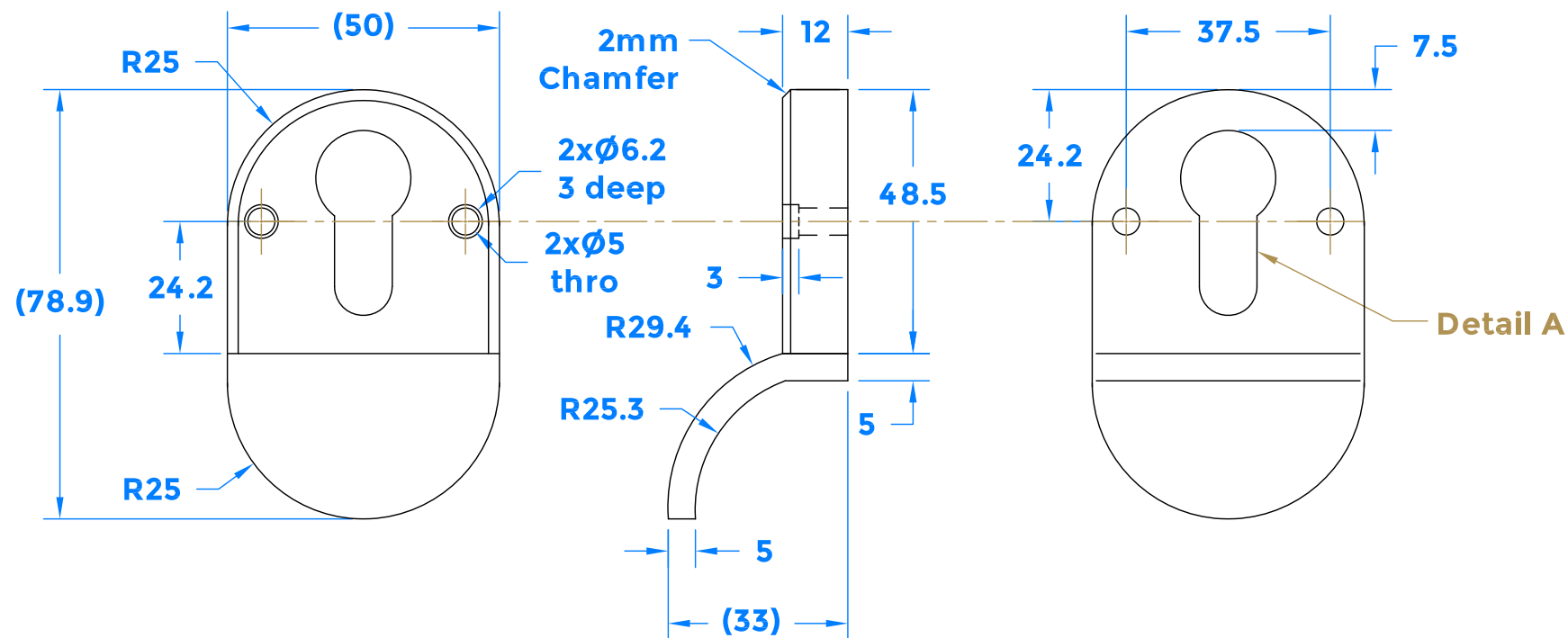
Logo Details



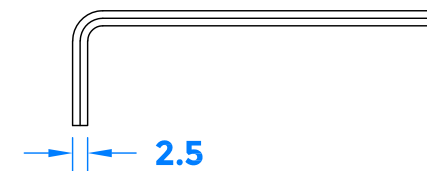
Detail A



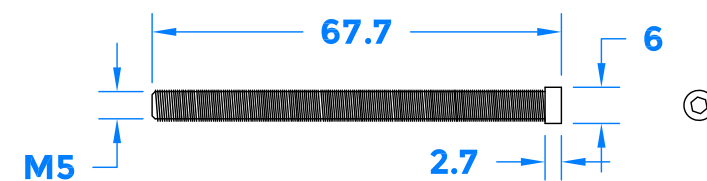
Internal Cylinder Pull



Allen Key



Fixing Bolts



 COASTAL		coastal-group.com <i>Shaping the future.</i>
Part Number / Drawing Title: CP76 Back to Back Cylinder Pull		
Product Range: Door Furniture		
Material: 316 Cast Stainless Steel (PSS/PPB/PBK)		
Additional Info:		
Date Drawn: 02/05/2023		
Drawn By: Philip Walklett		
Part Number: CP76		
File Name: CP76.dwg		
Revision: A		
Drawing Scale: Not to Scale		
Sheet Number: 1 of 1		
 THIRD ANGLE PROJECTION	This drawing and specification are the property of Coastal Specialist Ironmongery Ltd, they are issued in strict confidence and shall not be reproduced, copied or used without written permission. EAOE - All dimensions are specified in mm.	