

BLU RANGE CONTEMPORARY EURO CYLINDER PULL

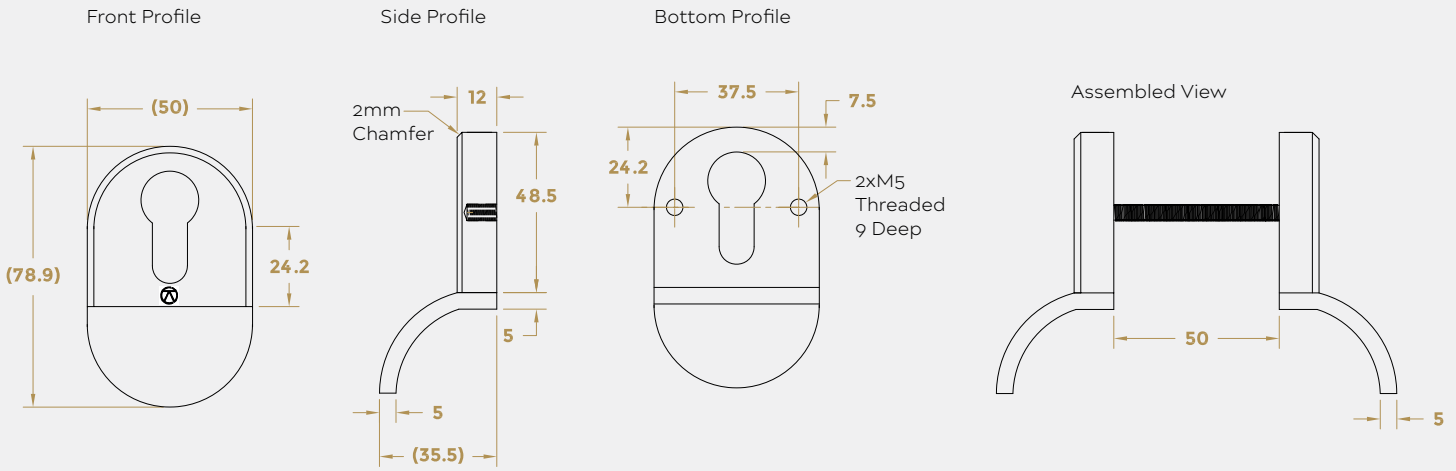
Product Code: CP76

LIT-DC-CP76



316 Marine Grade Stainless Steel Hardware Range

- High quality back-to-back euro cylinder pull set
- 12mm thick backplate to accommodate standard cylinder sizes
- Robust contemporary design
- Bolt through fixings from the inside help prevent removal of the external cylinder pull
- Ideal for use where corrosion levels are high such as coastal environments and with acidic timber
- Part of a suited range of door and window hardware
- To suit doors up to 50mm thick - extension kit is available: FX-392 bolt receiver & FX-391 threaded bar



Visit www.coastal-group.com for CAD drawings

FINISHES:



SSS
Satin Stainless Steel



PSS
Polished Stainless Steel



PPB
PVD Polished Brass



PBK
PVD Satin Black

PART NUMBER	PRODUCT DESCRIPTION	FINISH	UNITS
CP76-SSS	Contemporary Euro Cylinder Pull	SSS	Each
CP76-PSS	Contemporary Euro Cylinder Pull	PSS	Each
CP76-PPB	Contemporary Euro Cylinder Pull	PPB	Each
CP76-PBK	Contemporary Euro Cylinder Pull	PBK	Each



COASTAL

Shaping the future.