

PLASTIC SURFACE FIX TRICKLE VENT

Product Code: TVP200V/400V

LIT-DC-TVF200V/400V



Trickle Ventilators & Canopies Range

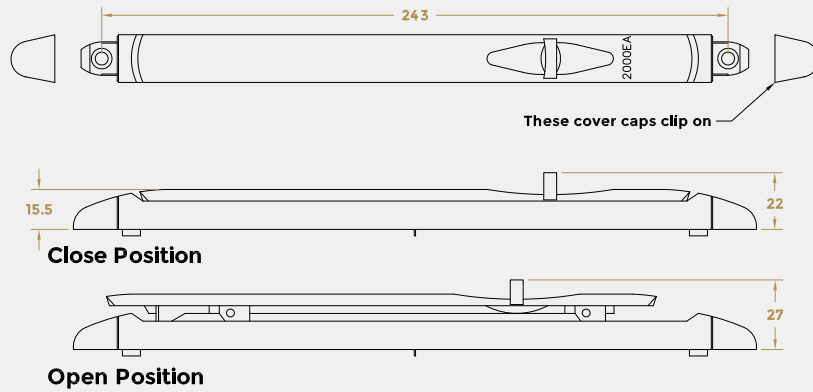
- TVP surface mounted plastic trickle vent
- Developed for revisions to Part F of the Building Regulations, Ventilation (England & Wales)
- Deflects air up or down or both
- Controllable tilting T-bar
- Should be fitted with the TVP Canopy to achieve the EA Air Flow figures
- Installed on the inside of the window



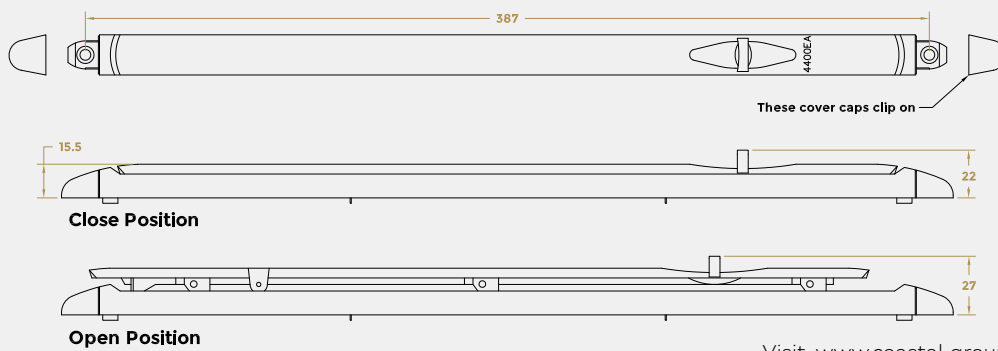
COASTAL

Shaping the future.

TVP200V Front & Side Profile



TVP400V Front & Side Profile



Visit www.coastal-group.com for CAD drawings

FINISHES:



WH
White



BR
Brown

Should be fitted with TVR Canopy to achieve EA Air Flow Figures

	EA Air Flow	Slot Detail (mm)	
TVP200	2000mm ²	225	13
TVP400	4400mm ²	173.5	20 173.5

PART NUMBER	PRODUCT DESCRIPTION	FINISH	UNITS
TVP200V-WH	265 x 18.5mm Vent, EA - 2000mm ²	WH	Each
TVP200V-BR	265 x 18.5mm Vent, EA - 2000mm ²	BR	Each
TVP400V-WH	411 x 18.5mm Vent, EA - 4400mm ²	WH	Each
TVP400V-BR	411 x 18.5mm Vent, EA - 4400mm ²	BR	Each



COASTAL

Shaping the future.