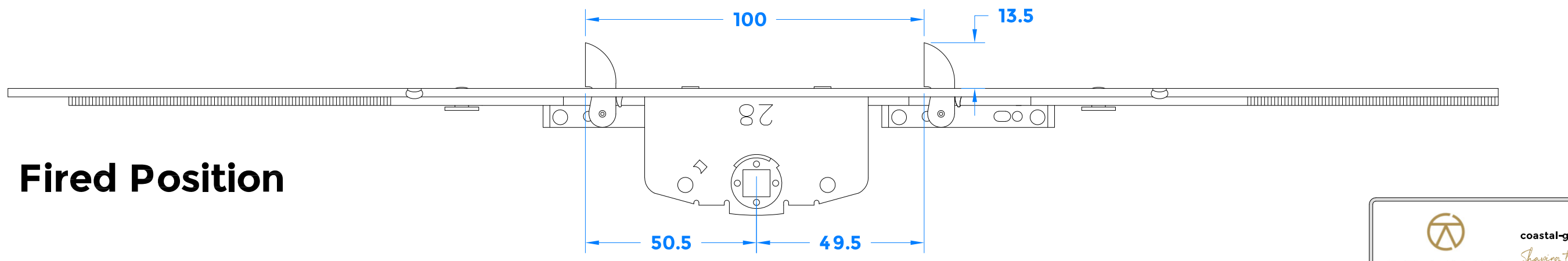
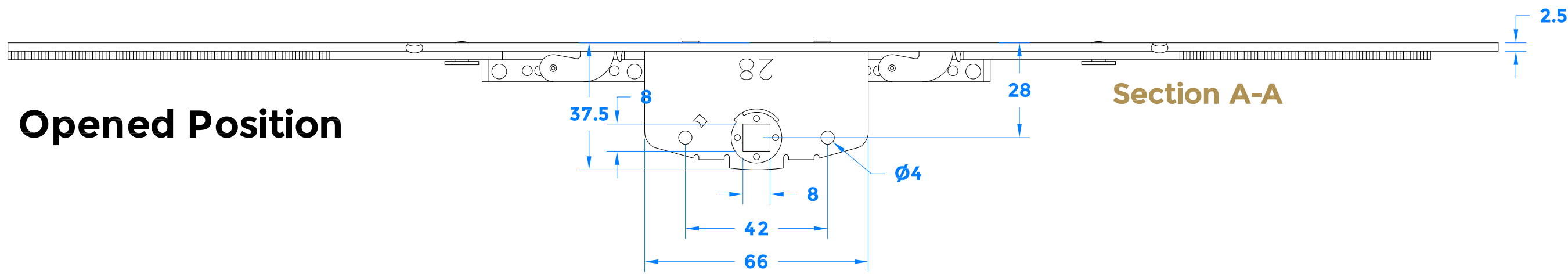
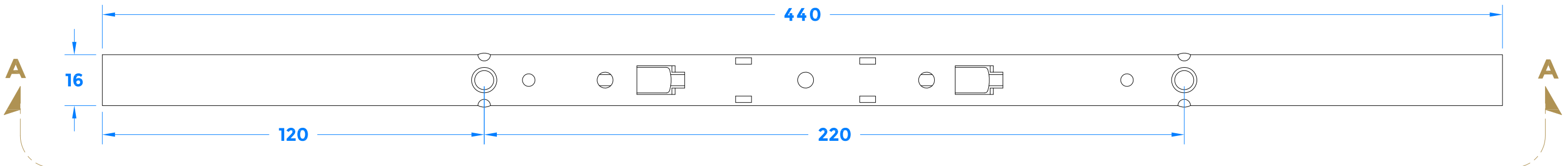


Drawing Revision History		
Revision	Description/Change	Date
A	Release	15/6/2023



**Opened Position**

**Fired Position**

**Section A-A**

coastal-group.com  
*Shaping the future.*

**COASTAL**

Part Number / Drawing Title:  
**FE0440-15-SV - Tritus Flush 15mm Ear Type Espag Bolt (Central)**

Product Range:  
**Tritus Casement Window**

Material: Silver Passivated

Additional Info: 15mm Ear Version

Date Drawn: 15/06/2023

Drawn By: Phillip Walklett

Part Number: FE0440-15-SV

File Name: FE0440-15-SV.dwg

Revision: A

Drawing Scale: Not to Scale

Sheet Number: 1 of 1

**THIRD ANGLE PROJECTION**

This drawing and specification are the property of Coastal Specialist Ironmongery Ltd, they are issued in strict confidence and shall not be reproduced, copied or used without written permission.  
EAOE - All dimensions are specified in mm.