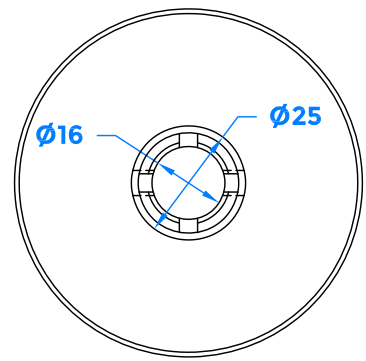
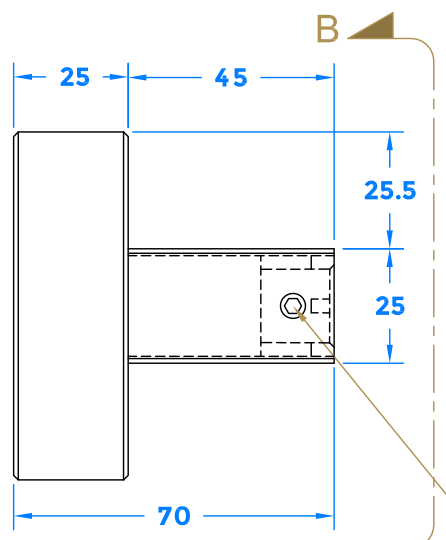


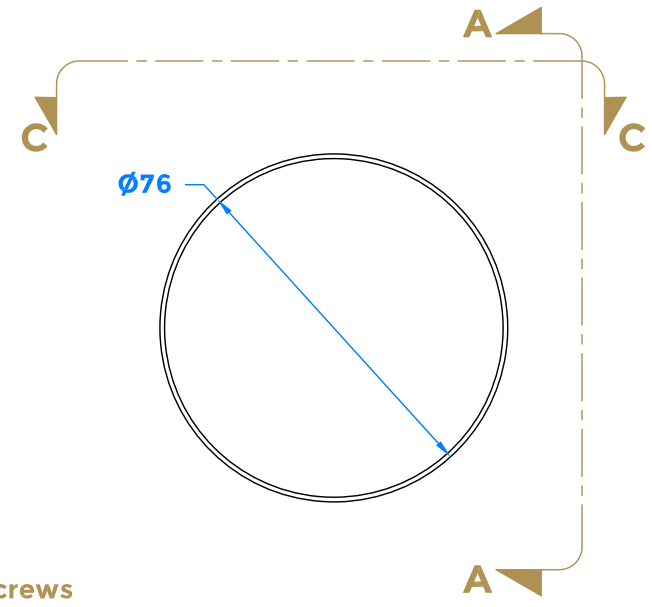
Drawing Revision History		
Revision	Description / Change	Date
A	Pre-Release / Development	4/11/2022



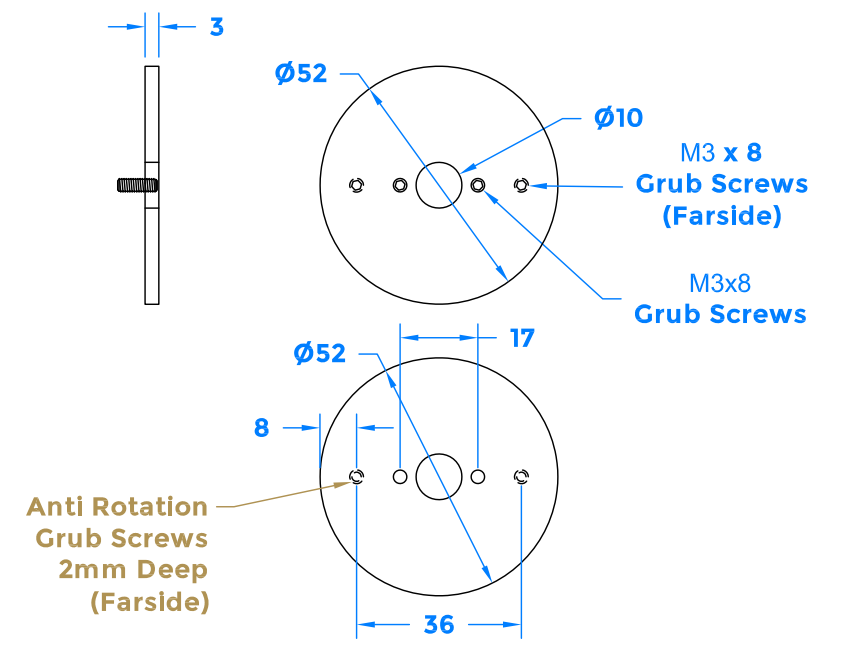
**Rear View**  
Section B-B



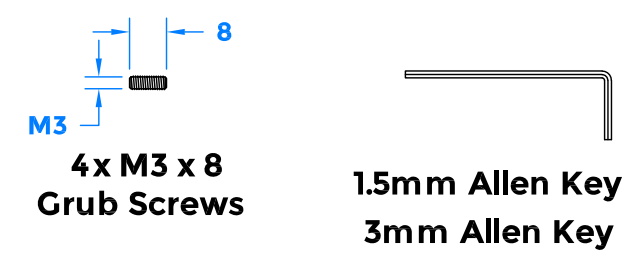
**Side View**  
Section A-A



**Front View**

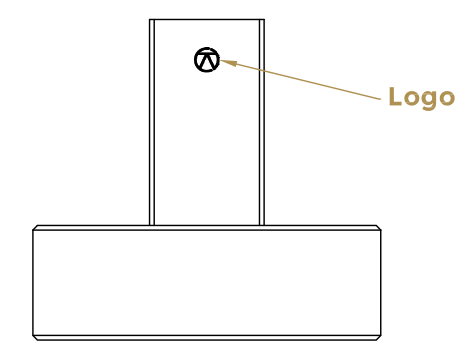
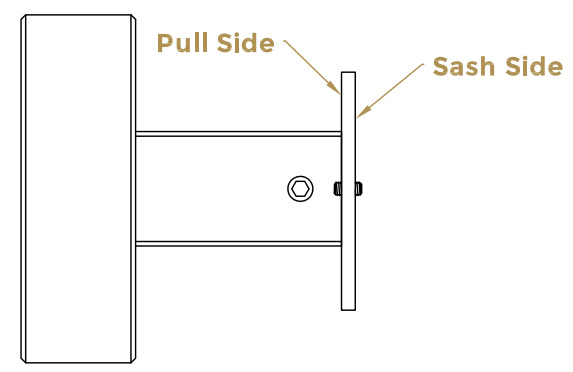


**External Mounting Plate**  
(Pull Side Shown)

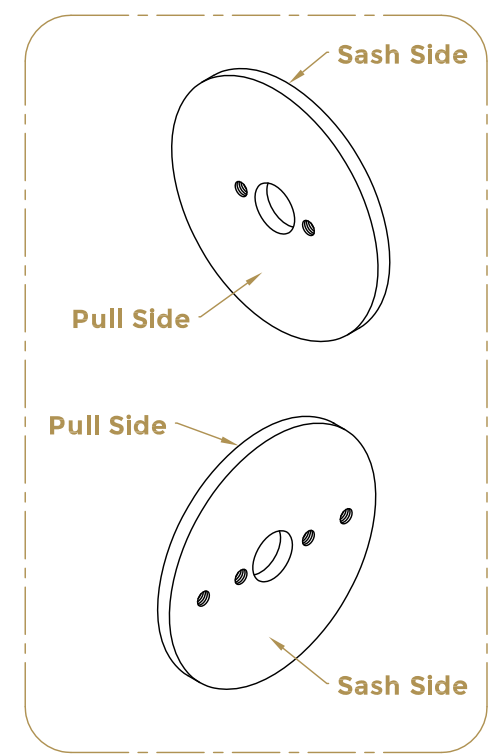


**4 x M3 x 8**  
Grub Screws

**1.5mm Allen Key**  
**3mm Allen Key**



**Top View**  
Section C-C




[coastal-group.com](http://coastal-group.com)  
*Shaping the future.*

**COASTAL**

Part Number / Drawing Title:  
**KM150**  
**Round Centre Door Knob**

Product Range:  
**Door Furniture**

Material: 316 Stainless Steel

Additional Info: Universal Fix

Date Drawn: 04/11/2022

Drawn By: Phillip Walklett

Part Number: KM150-UF

File Name: KM150-UF.dwg

Revision: A

Drawing Scale: Not to Scale

Sheet Number: 1 of 1

THIRD ANGLE PROJECTION

This drawing and specification are the property of Coastal Specialist Ironmongery Ltd, they are issued in strict confidence and shall not be reproduced, copied or used without written permission.  
EAOE - All dimensions are specified in mm.