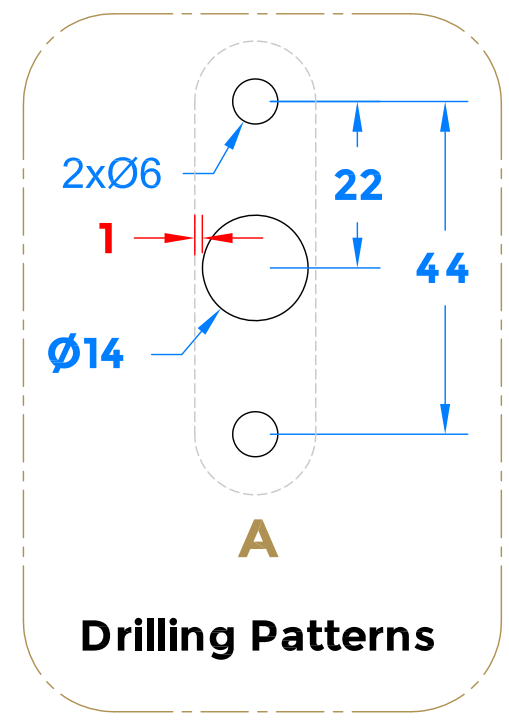
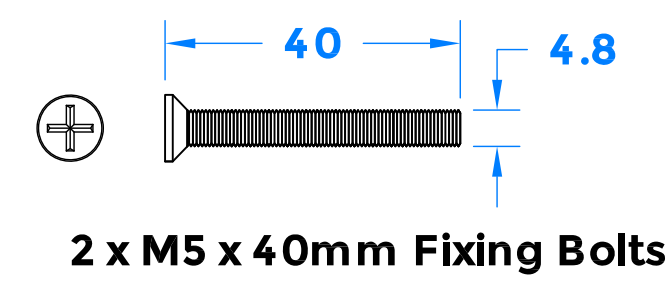
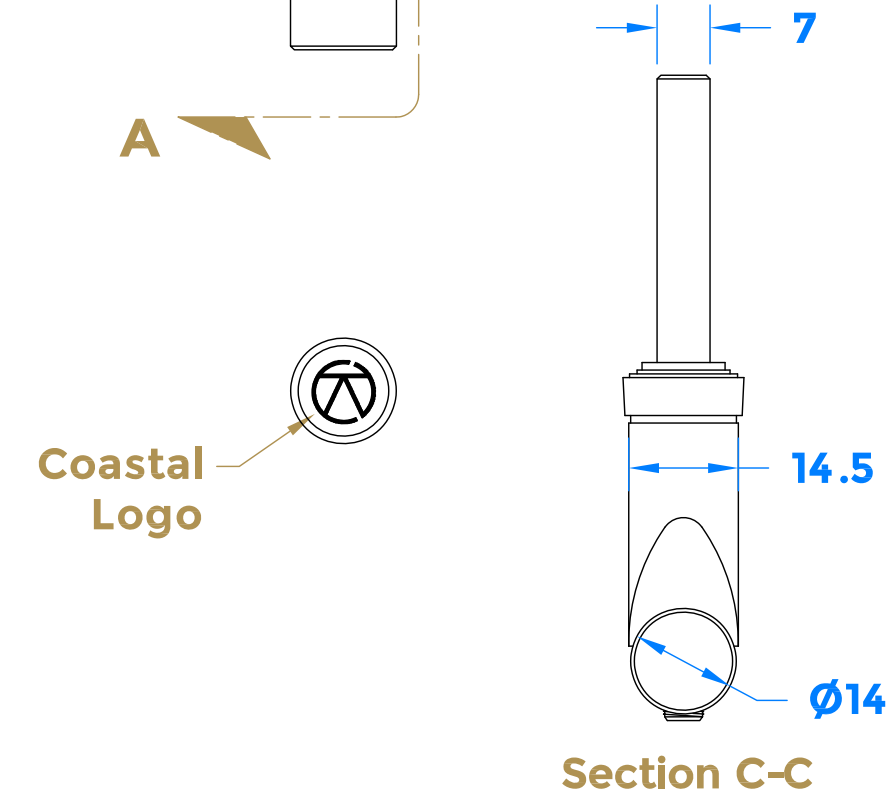
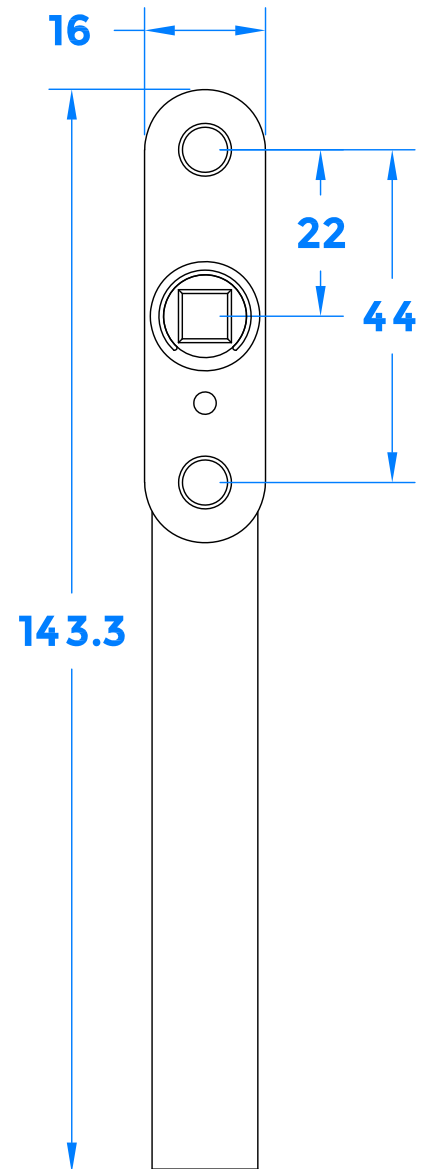
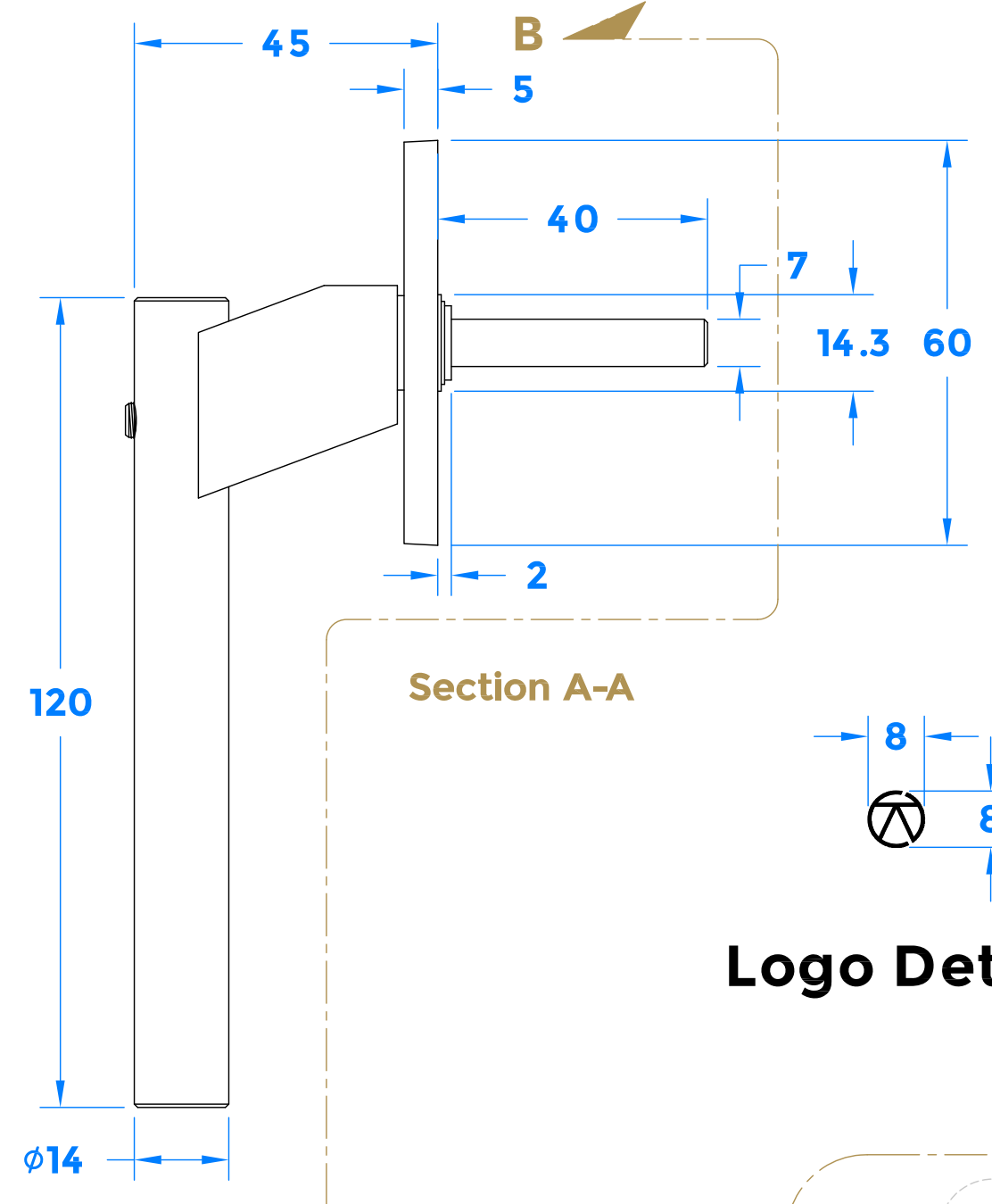
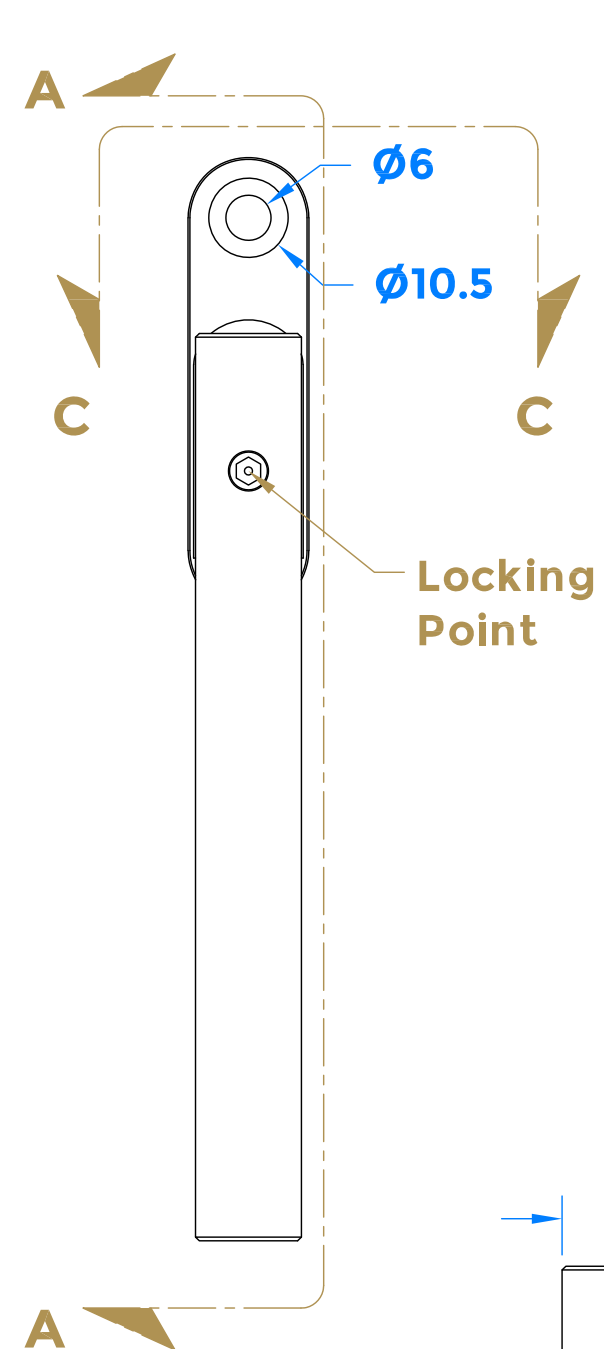



| Drawing Revision History | | |
|--------------------------|---------------------|------------|
| Revision | Description /Change | Date |
| A | Release | 12/11/2021 |



 **COASTAL** coastal-group.com
Shaping the future.

Part Number /Drawing Title:
SST94
Inline Locking Slimline Handle

Product Range:
Window Handles

Material: 316 Stainless Steel

Additional Info: Unsprung Action

Date Drawn: 12/11/2021

Drawn By: Philip Walklett

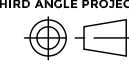
Part Number: SST94

File Name: SST94.dwg

Revision: A

Drawing Scale: 1:1@ A3

Sheet Number: 1 of 1

THIRD ANGLE PROJECTION 

This drawing and specification are the property of Coastal Specialist Ironmongery Ltd, they are issued in strict confidence and shall not be reproduced, copied or used without written permission.
EAOE - All dimensions are specified in mm.