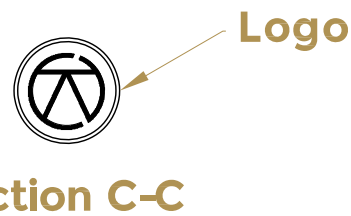
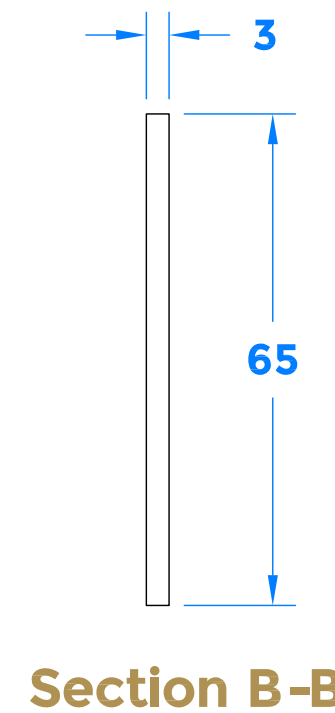
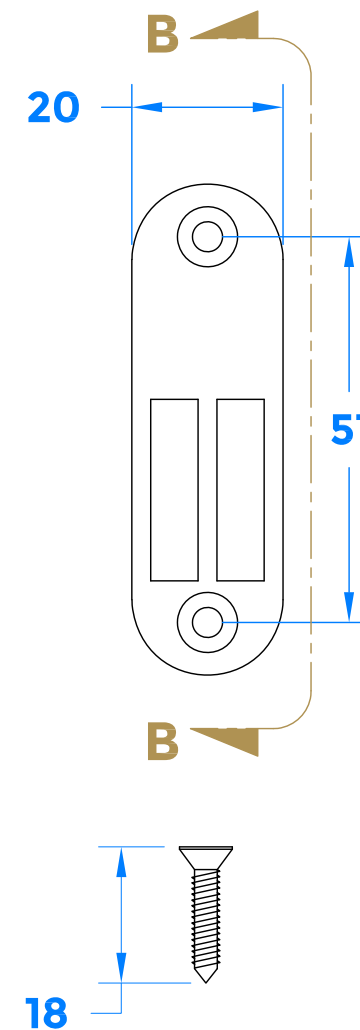
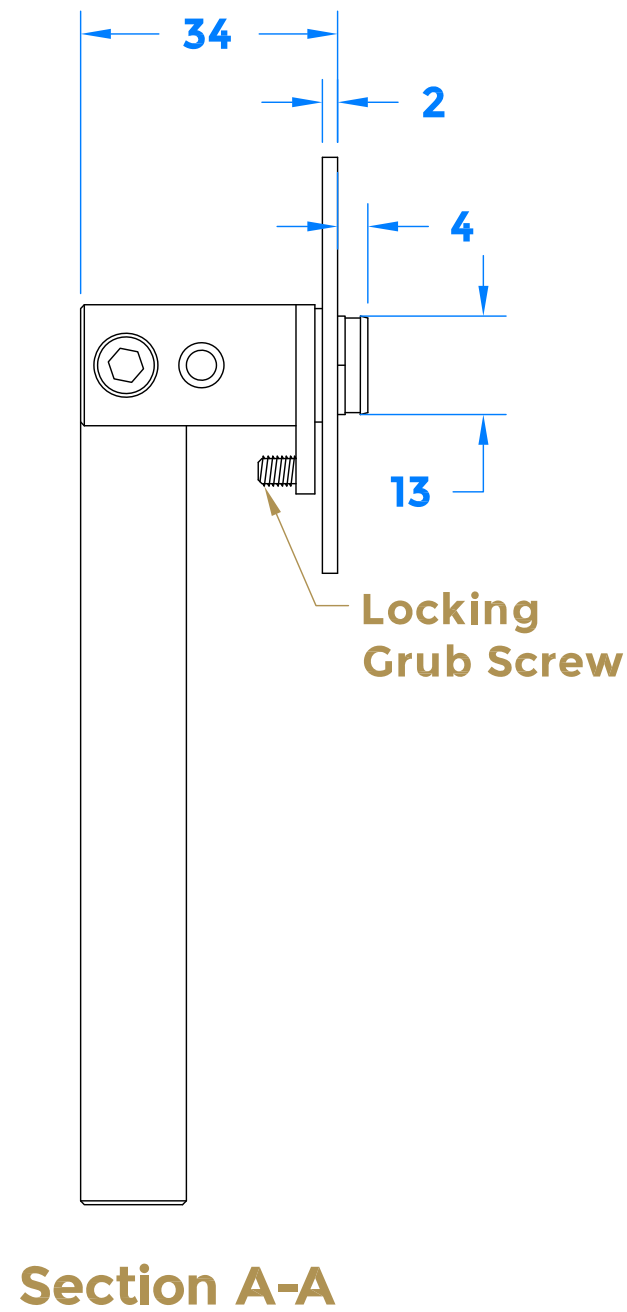
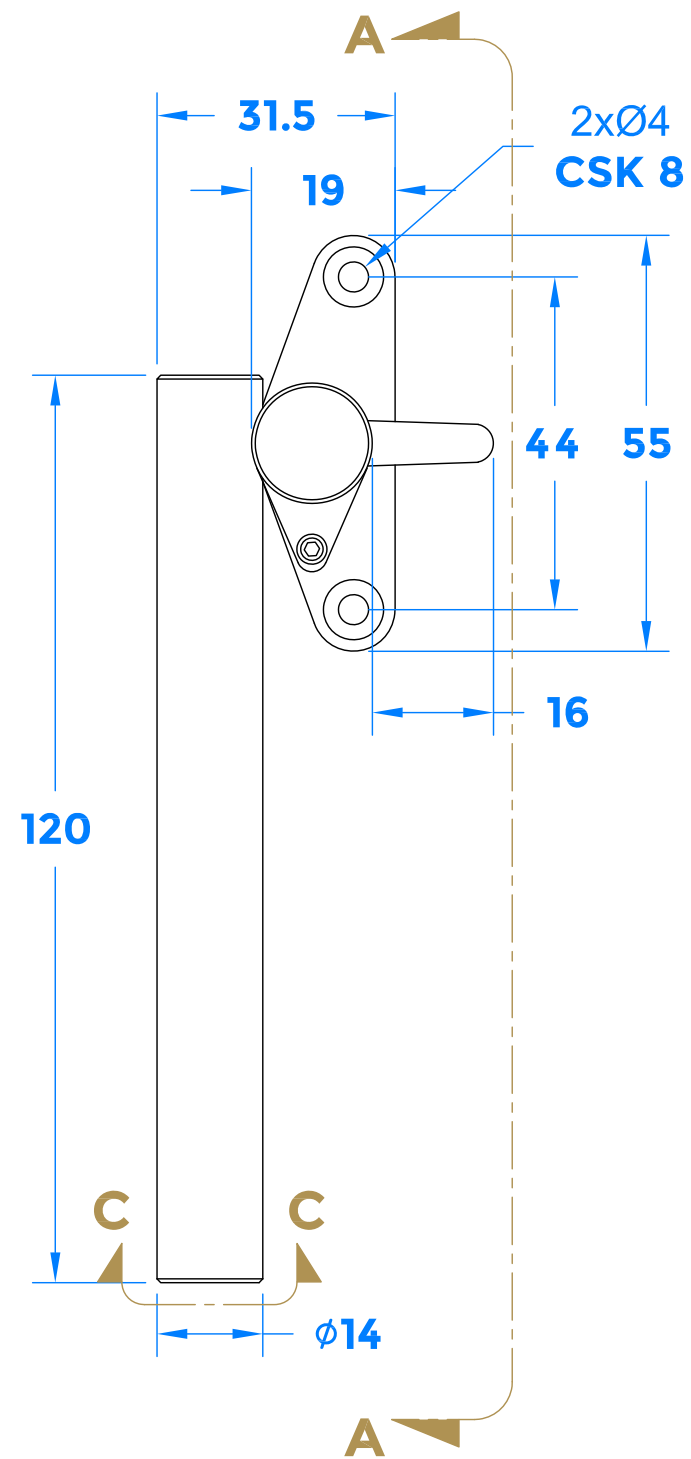


Drawing Revision History		
Revision	Description/Change	Date
A	Release	8/12/2022
B	Added Logo to Lever	31/1/2023

Left Hand Shown, Right Hand Opposite.



coastal-group.com
Shaping the future.

COASTAL

Part Number / Drawing Title:
SST79B-LH-M
Casement Window Fastener

Product Range:
Window Handles

Material: 316 Stainless Steel

Additional Info: Comes with Mortice Plate

Date Drawn: 31/1/2023

Drawn By: Philip Walklett

Part Number: SST79B-LH-M

File Name: SST79B-LH-M.dwg

Revision: B

Drawing Scale: 1:1@ A3

Sheet Number: 1 of 1

THIRD ANGLE PROJECTION

This drawing and specification are the property of Coastal Specialist Ironmongery Ltd, they are issued in strict confidence and shall not be reproduced, copied or used without written permission.
E&OE - All dimensions are specified in mm.